

! WARNING



Children have died from furniture tipover. To reduce the risk of furniture tipover:

- ALWAYS install tipover restraint provided.
- NEVER put a TV on this product.
- NEVER allow children to stand, climb or hang on drawers, doors, or shelves.
- NEVER open more than one drawer at a time.
- Place heaviest items in the lowest drawers.
- Do not defeat or remove the drawer interlock system.

This is a permanent label.

Do not remove!

! ATTENTION



Des enfants sont morts du basculement des meubles. Pour réduire le risque de basculement des meubles:

- TOUJOURS installer la retenue de basculement fournie.
- NE JAMAIS mettre de téléviseur sur ce produit.
- NE JAMAIS permettre aux enfants de se tenir debout, de grimper ou de s'accrocher à des tiroirs, des portes ou des étagères.
- N'ouvrez JAMAIS plus d'un tiroir à la fois.
- Placez les objets les plus lourds dans les tiroirs les plus bas.
- Ne désactivez pas et ne retirez pas le système de verrouillage du tiroir.

Ceci est une étiquette permanente.

Ne pas enlever!

! WARNING



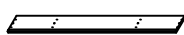
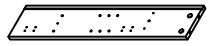
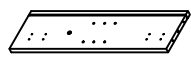
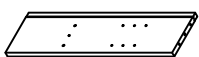
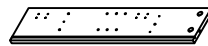
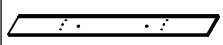
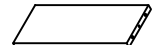
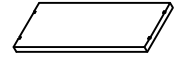
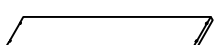

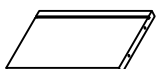
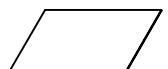

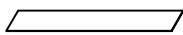
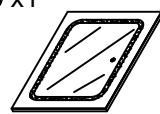

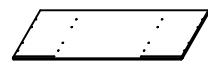
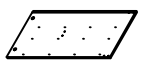



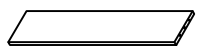

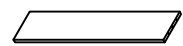

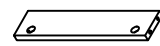
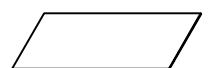
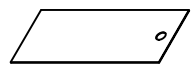
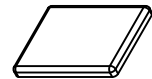
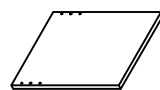
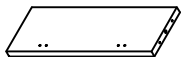

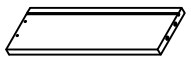
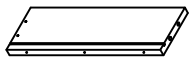

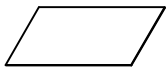
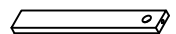

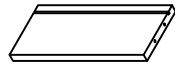
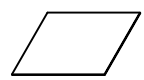
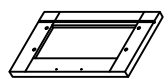
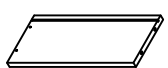
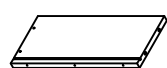
Kinder sind an einem Möbelkipp gestorben. So verringern Sie das Risiko eines Umkippens von Möbeln:

- Installieren Sie IMMER die mitgelieferte Kipprückhaltevorrichtung.
- Stellen Sie NIEMALS einen Fernseher an dieses Produkt.
- Lassen Sie Kinder NIEMALS an Schubladen, Türen oder Regalen stehen klettern oder hängen.
- Öffnen Sie NIEMALS mehr als eine Schublade gleichzeitig.
- Legen Sie schwerste Gegenstände in die untersten Schubladen.
- Besiegen oder entfernen Sie das Schubladenverriegelungssystem nicht.

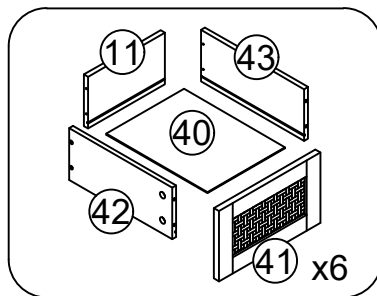
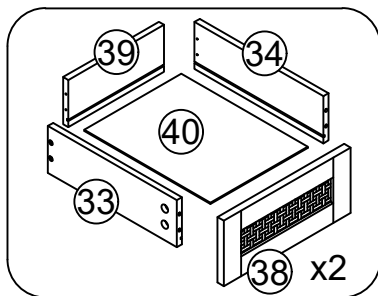
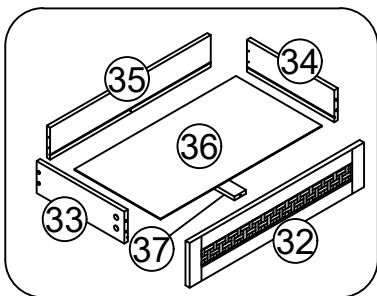
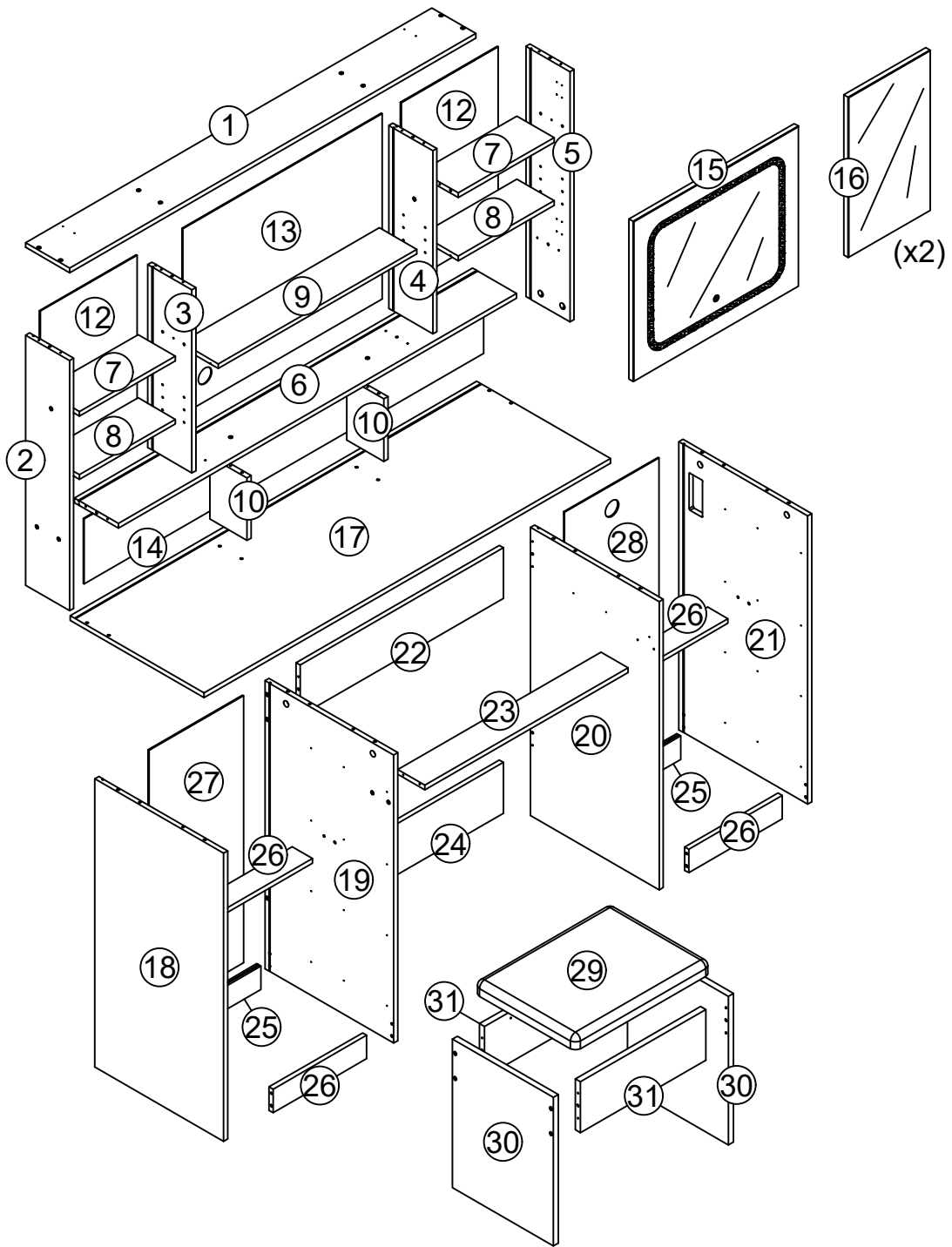
Dies ist ein dauerhaftes Etikett.

Nicht entfernen!

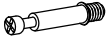







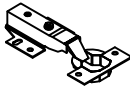






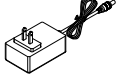









PART LIST

<p>1 x1</p>  <p>1199x130x12</p>	<p>2 x1</p>  <p>640x129.5x12</p>	<p>3 x1</p>  <p>467x129.5x12</p>	<p>4 x1</p>  <p>467x129.5x12</p>	<p>5 x1</p>  <p>640x129.5x12</p>
<p>6 x1</p>  <p>1172x129.5x12</p>	<p>7 x2</p>  <p>280x110x12</p>	<p>8 x2</p>  <p>279.5x110x12</p>	<p>9 x1</p>  <p>587x110x12</p>	<p>10 x2</p>  <p>161x110x12</p>
<p>11 x6</p>  <p>225x129x12</p>	<p>12 x2</p>  <p>475x288x2.5</p>	<p>13 x1</p>  <p>475x595x2.5</p>	<p>14 x1</p>  <p>1180x168x2.5</p>	<p>15 x1</p>  <p>500x596x15</p>
<p>16 x2</p>  <p>500x295x15</p>	<p>17 x1</p>  <p>1199x398x15</p>	<p>18 x1</p>  <p>736.5x381x12</p>	<p>19 x1</p>  <p>736.5x381x12</p>	<p>20 x1</p>  <p>736.5x381x12</p>
<p>21 x1</p>  <p>736.5x381x12</p>	<p>22 x1</p>  <p>600x129.5x12</p>	<p>23 x1</p>  <p>600x80x12</p>	<p>24 x1</p>  <p>600x129x12</p>	<p>25 x2</p>  <p>274x60x12</p>
<p>26 x4</p>  <p>274x60x12</p>	<p>27 x1</p>  <p>684x282x2.5</p>	<p>28 x1</p>  <p>684x282x2.5</p>	<p>29 x1</p>  <p>399x299x40</p>	<p>30 x2</p>  <p>396x299x15</p>
<p>31 x2</p>  <p>365x130x15</p>	<p>32 x1</p>  <p>595x131x12</p>	<p>33 x3</p>  <p>300x97x12</p>	<p>34 x3</p>  <p>300x97x12</p>	<p>35 x1</p>  <p>551x97x12</p>
<p>36 x1</p>  <p>559x295x2.5</p>	<p>37 x1</p>  <p>287x40x12</p>	<p>38 x2</p>  <p>297x131x12</p>	<p>39 x2</p>  <p>225x96x12</p>	<p>40 x8</p>  <p>233x269x2.5</p>
<p>41 x6</p>  <p>297x177x12</p>	<p>42 x6</p>  <p>300x130x12</p>	<p>43 x6</p>  <p>300x130x12</p>		

Parts list



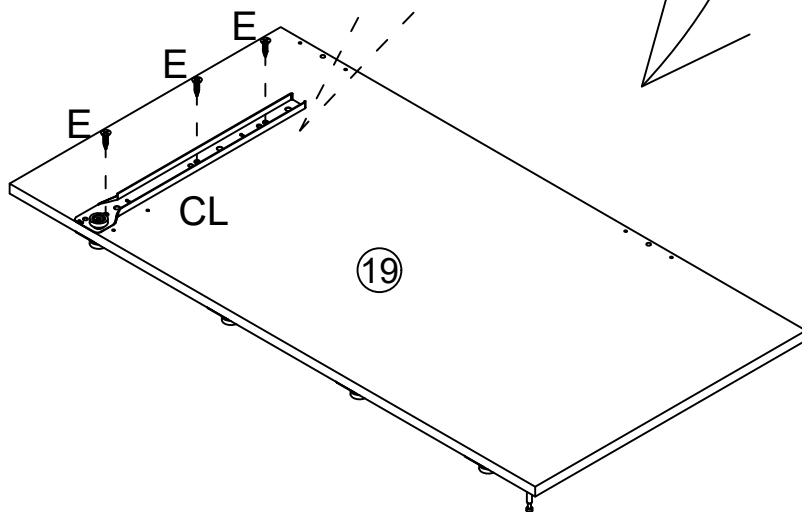
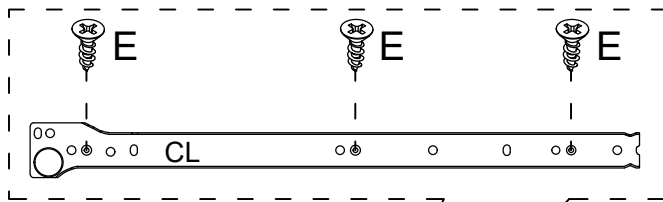
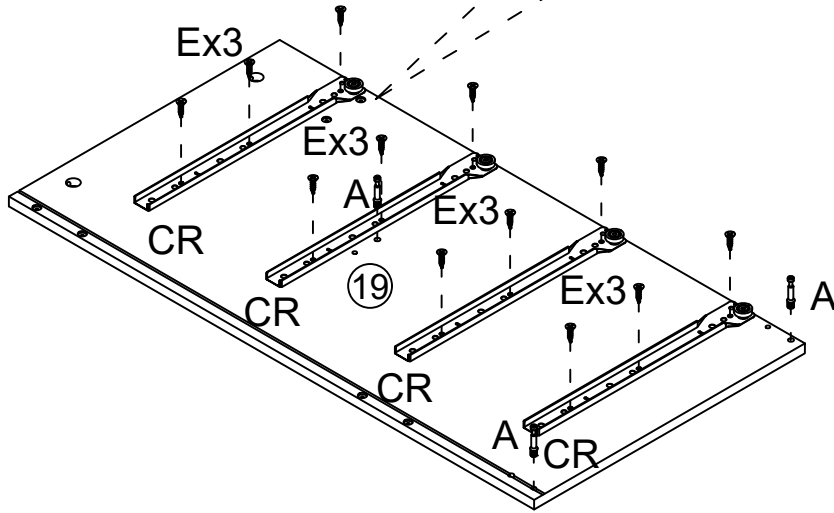
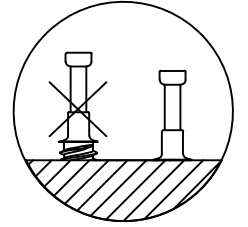
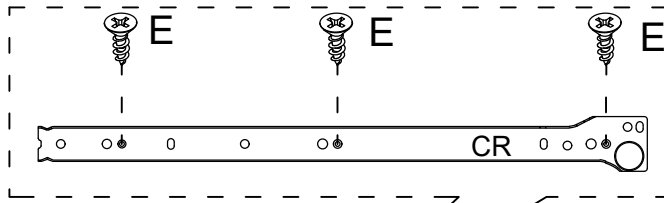
Hardware

A	x65(+3)	B	x65(+3)	C	x48(+3)	D	x81(+3)	E	x166(+4)	F	x12(+2)
											
Ø6x35mm		Ø15x10mm		Ø6x30mm		Ø4x35mm		Ø3.5x12mm		Ø3.5x14mm	
G	x9	H	x4	I	x2	J	x30(+3)	K	x4	L	x12(+1)
						J-1 J-2  					
M	x4	N	x34(+3)	O	x1	P	x1	Q	x2	R	x2
											
Ø4x12mm								Ø3x12mm		Ø6x30mm	
S	x2	T	x4								
											
CL	x9	CR	x9	DL	x9	DR	x9				
											
L300mm		L300mm		L300mm		L300mm					

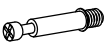





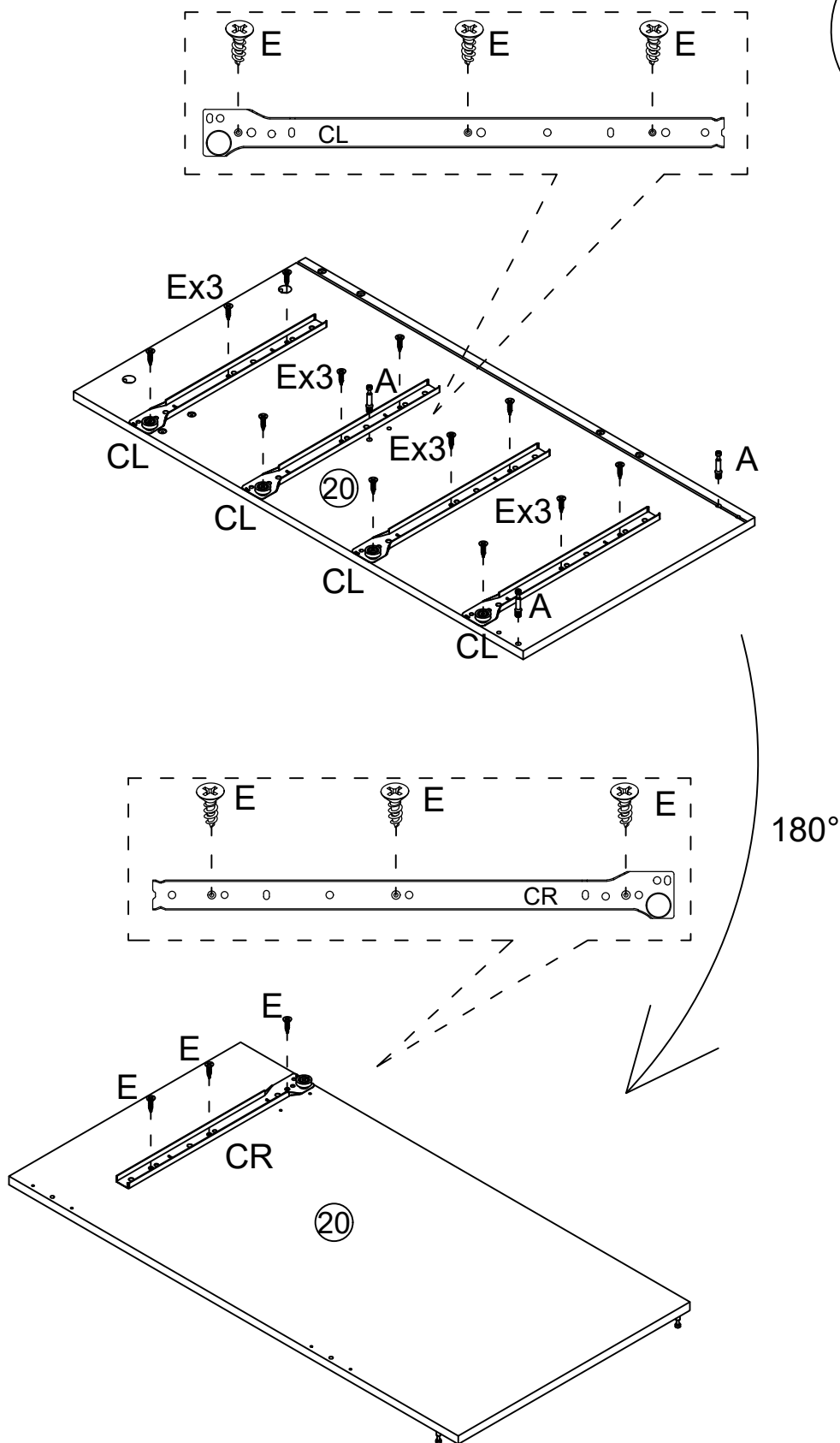
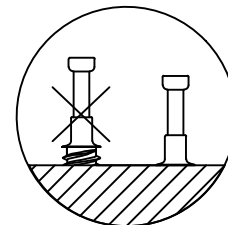
(+) is free spare parts

1



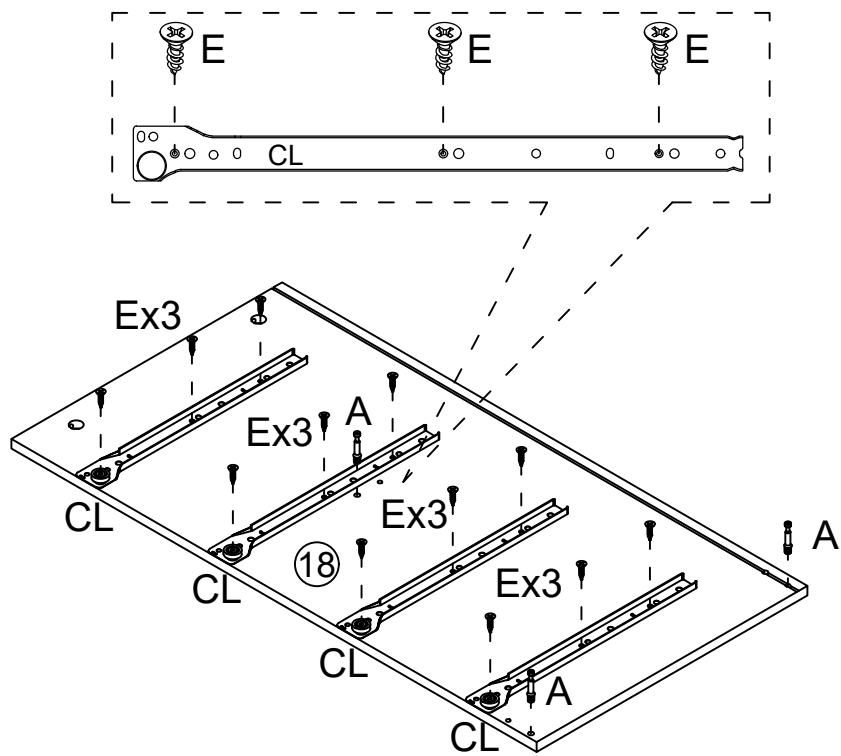
180°

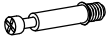


A	x3	E	x15	CL	x1	CR	x4
							
Ø6x35mm		Ø3.5x12mm		L300mm		L300mm	



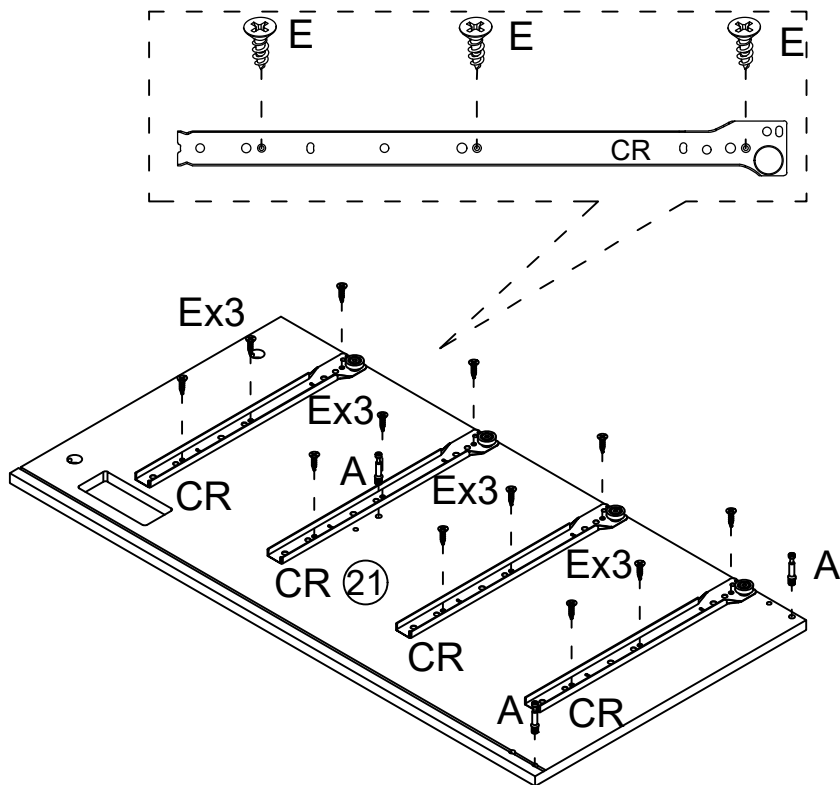
A	x3	E	x15	CL	x4	CR	x1
Ø6x35mm		Ø3.5x12mm		L300mm		L300mm	

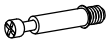


3



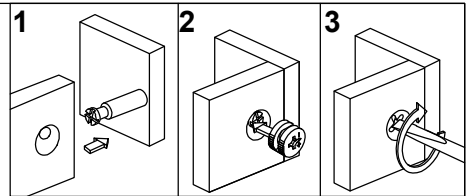
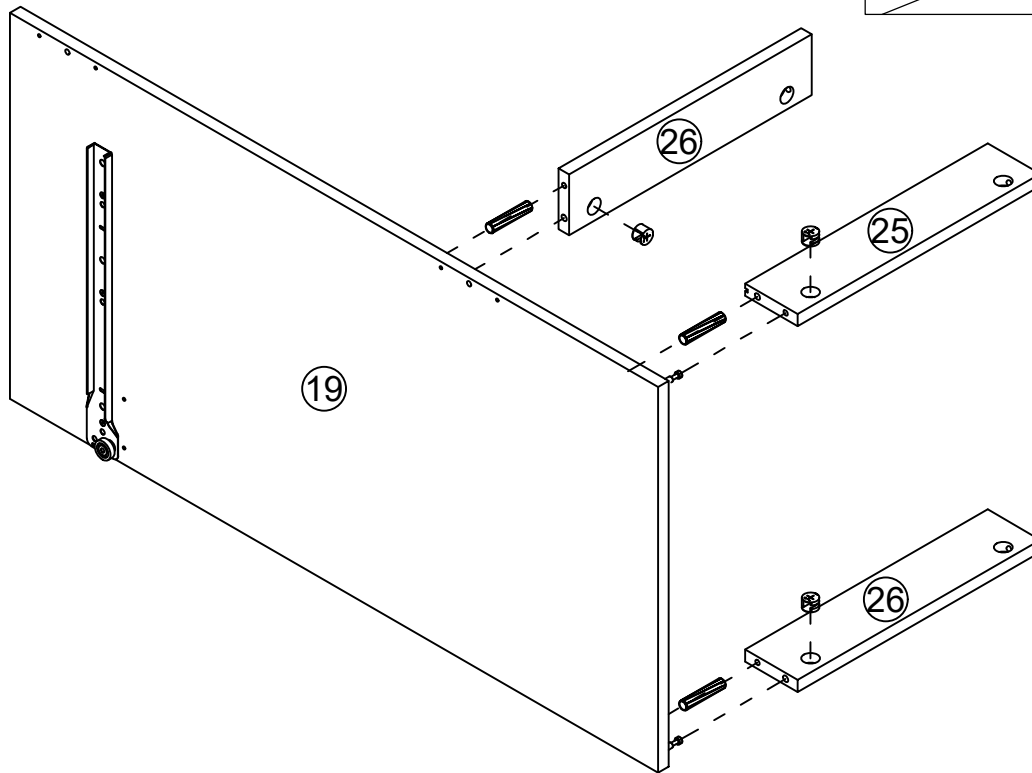
A	x3	E	x12	CL	x4
					
Ø6x35mm		Ø3.5x12mm		L300mm	

4



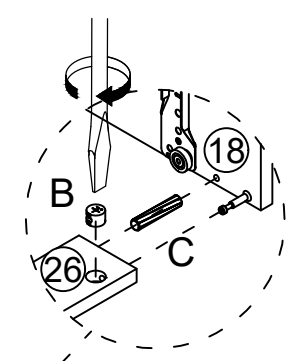
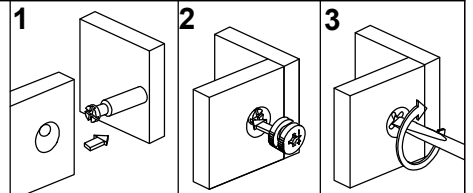
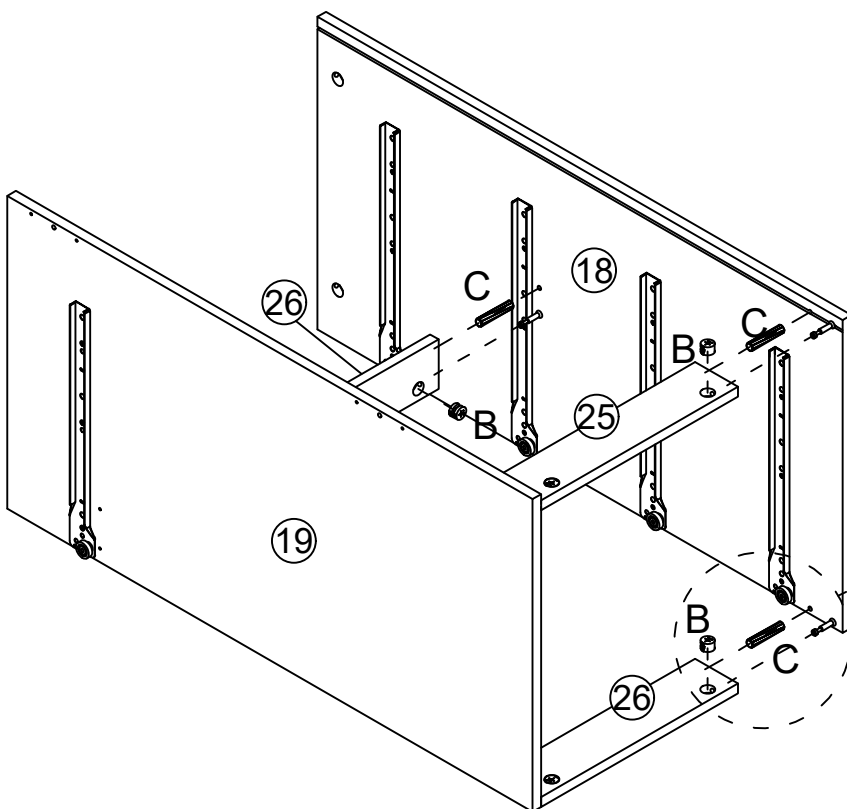
A	x3	E	x12	CR	x4
					
Ø6x35mm		Ø3.5x12mm		L300mm	

5



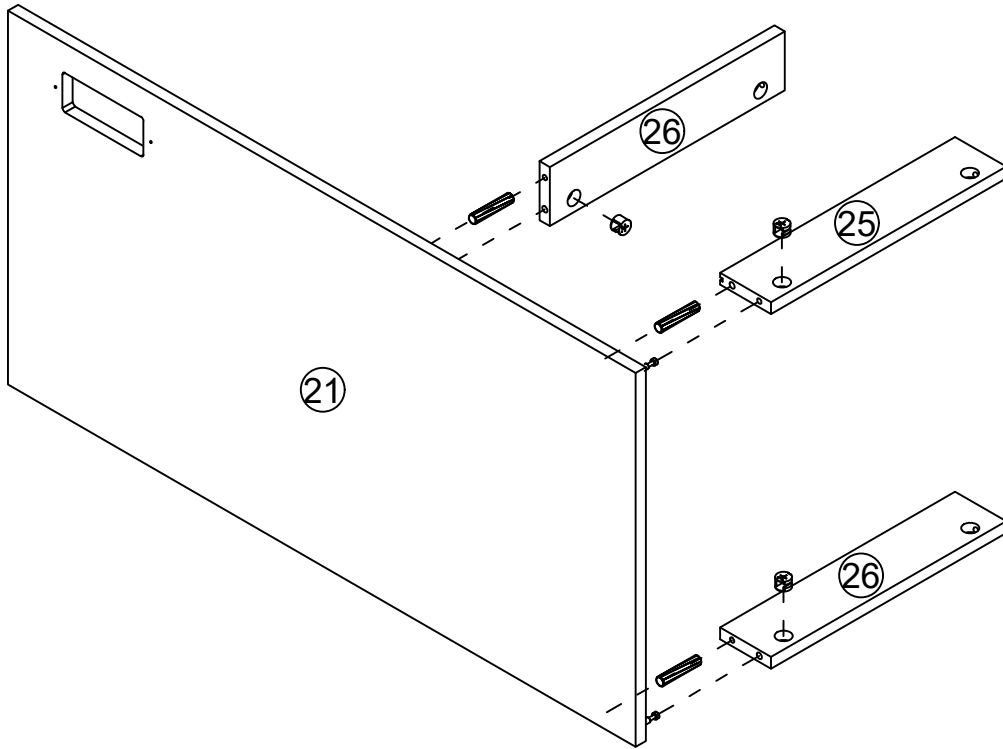
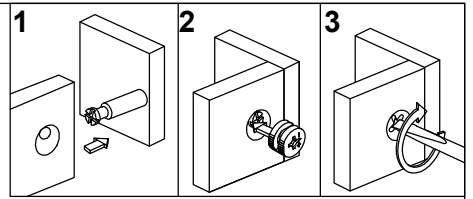
B	x3
$\text{Ø}15 \times 10 \text{mm}$	
C	x3
$\text{Ø}6 \times 30 \text{mm}$	



6



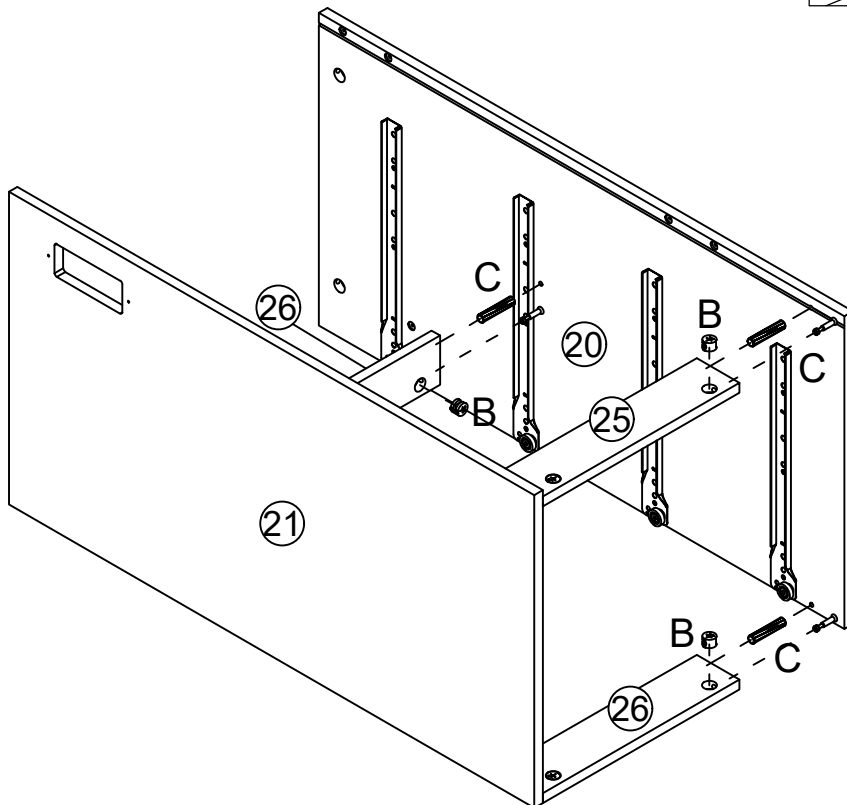
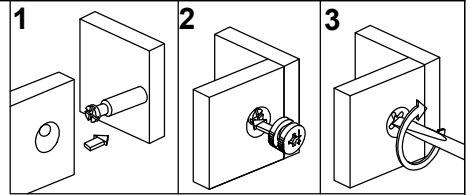
B	x3
$\text{Ø}15 \times 10 \text{mm}$	
C	x3
$\text{Ø}6 \times 30 \text{mm}$	



7

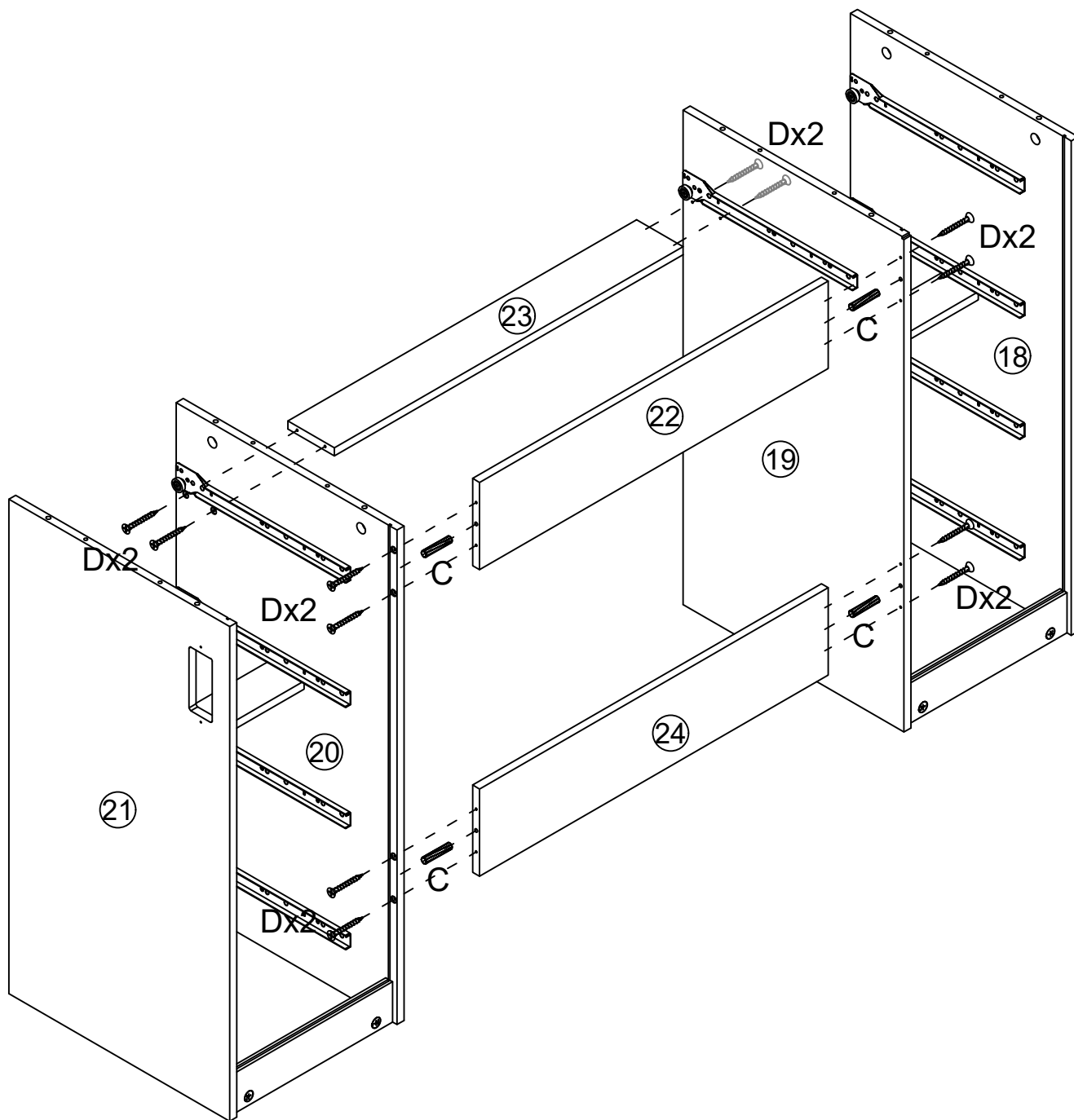



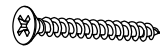
B	x3
 Ø15x10mm	
C	x3
 Ø6x30mm	

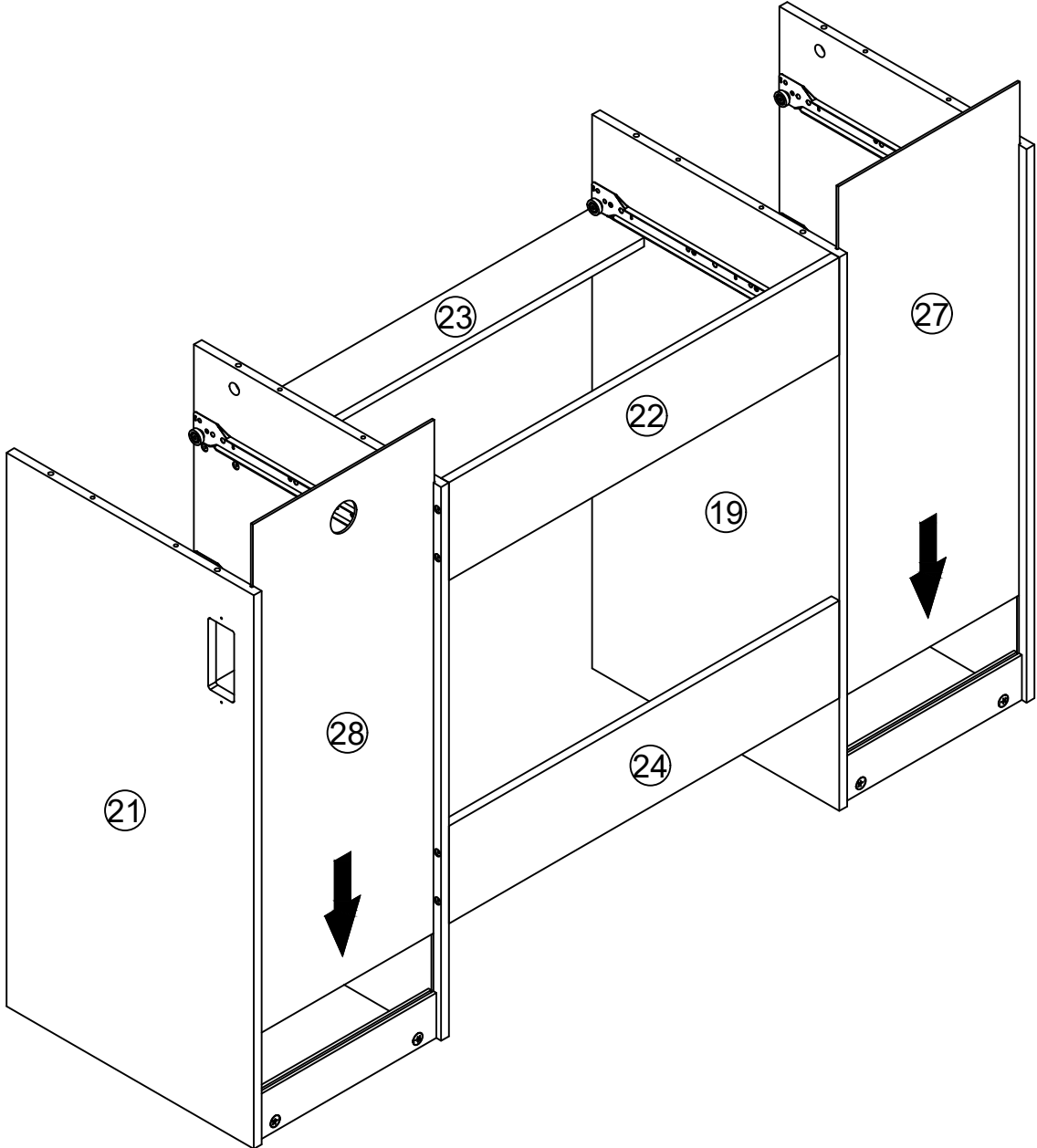
8

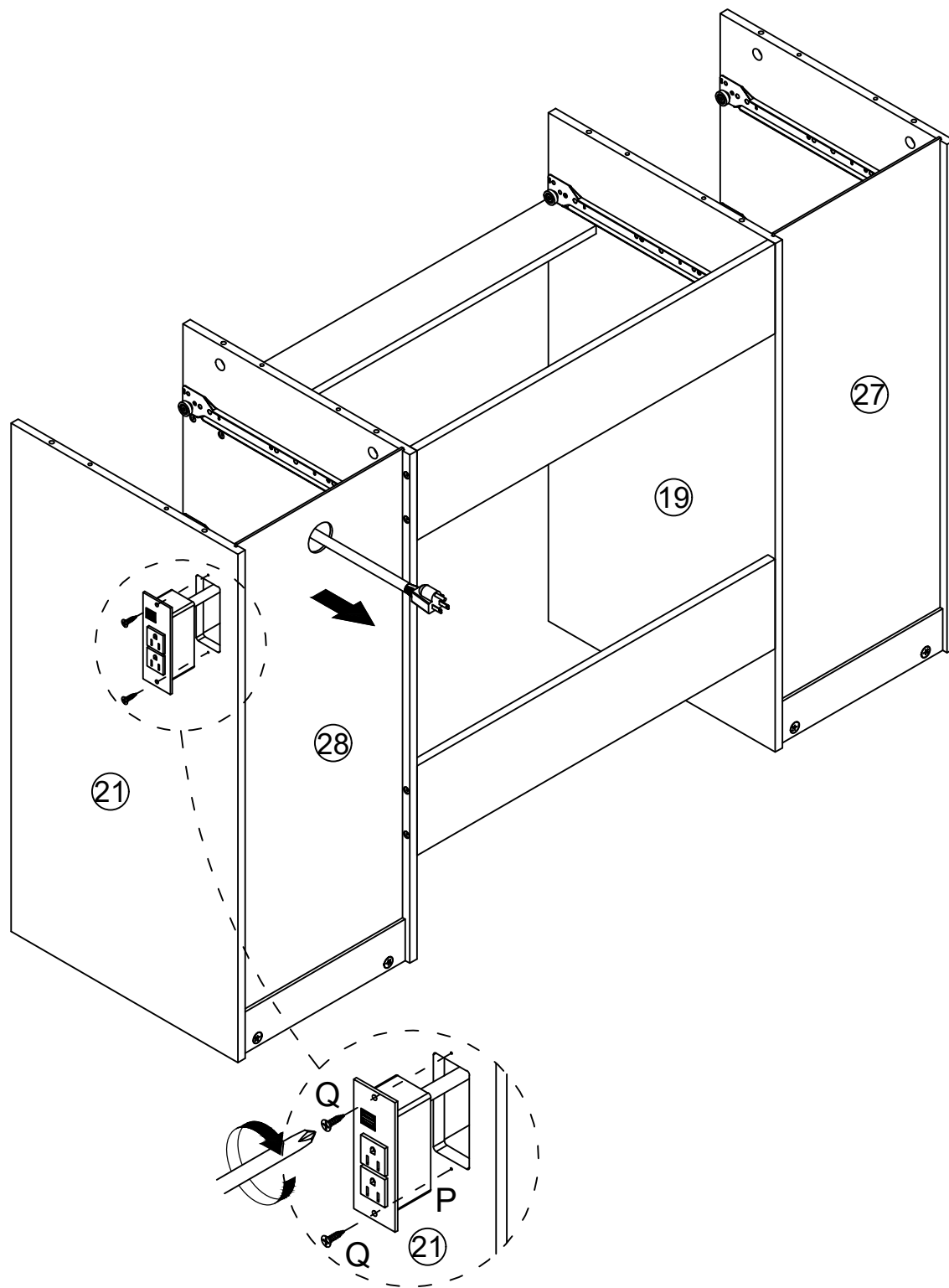


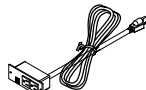

B	x3
 Ø15x10mm	
C	x3
 Ø6x30mm	

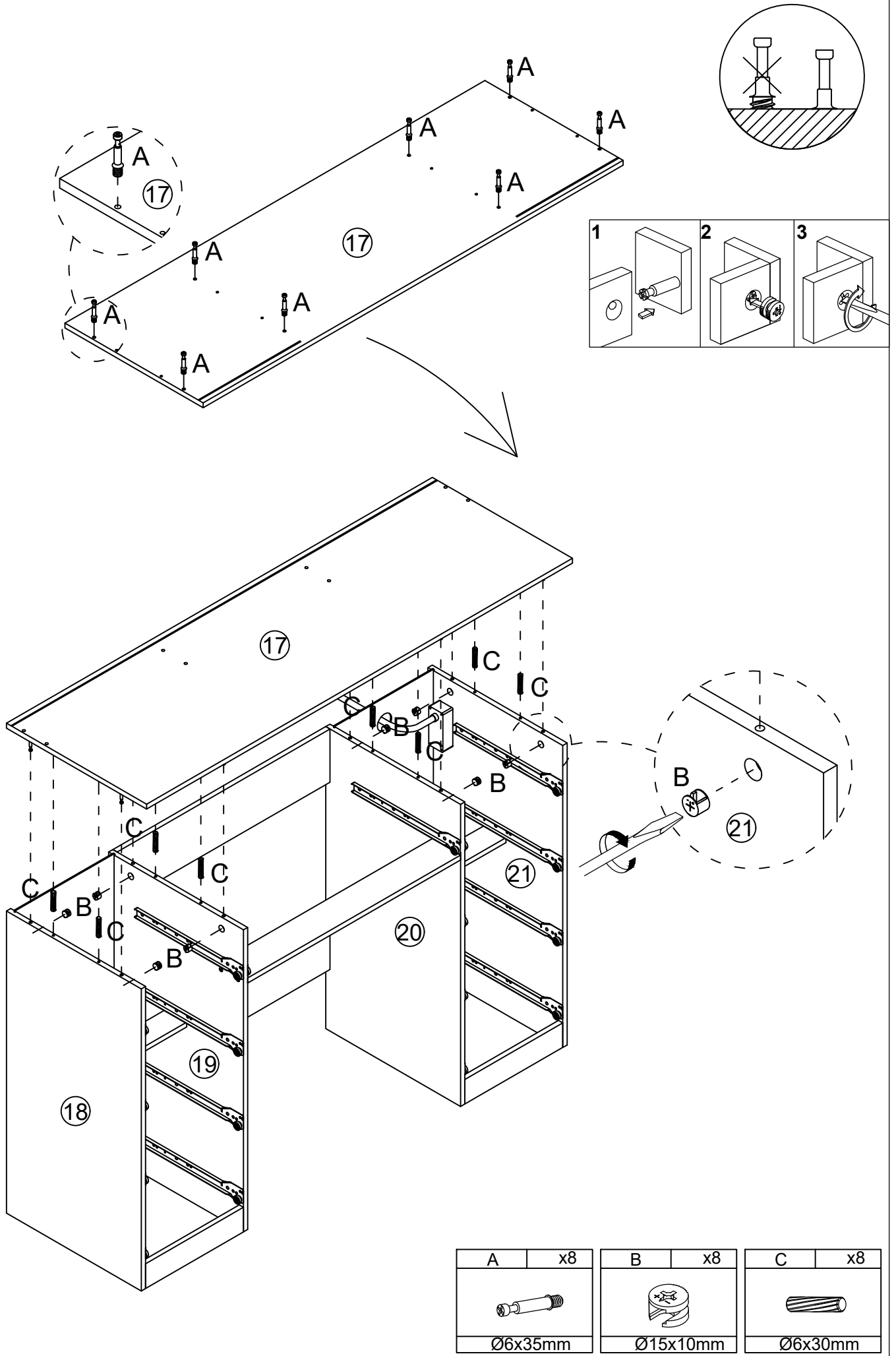


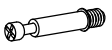


C	x4	D	x12
			
Ø6x30mm		Ø4x35mm	





P	x1	Q	x2
			
		Ø3x12mm	

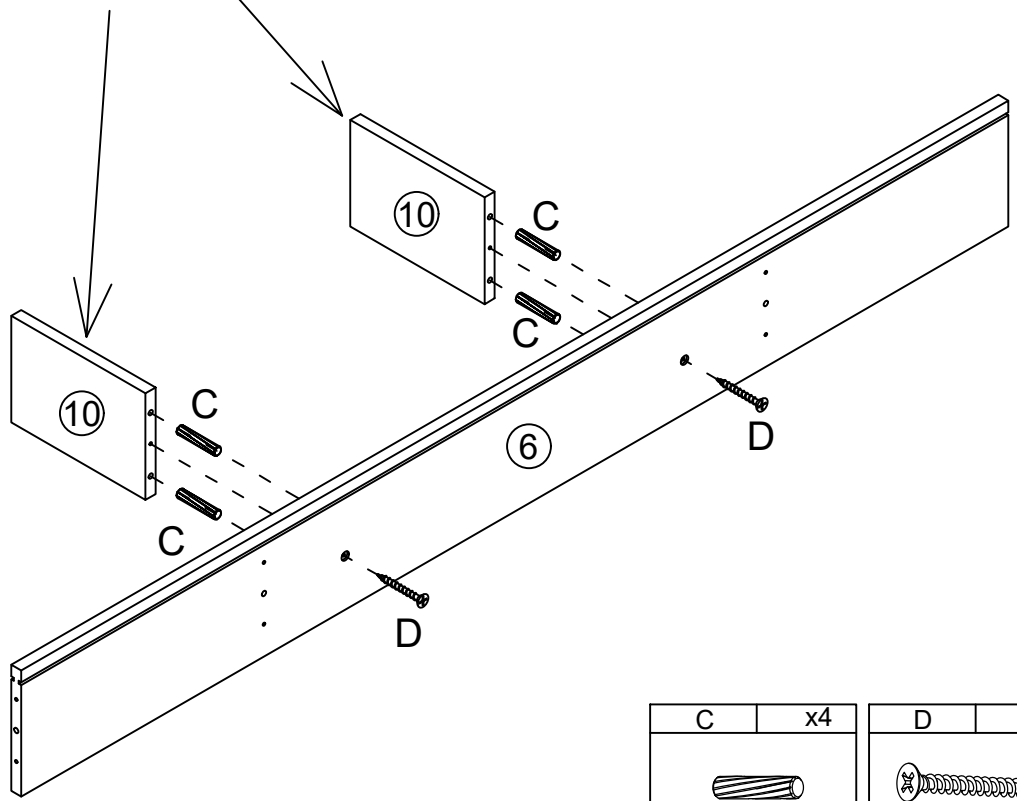


A	x8	B	x8	C	x8
					
Ø6x35mm		Ø15x10mm		Ø6x30mm	

13



Please note that there is no edge banding on this side

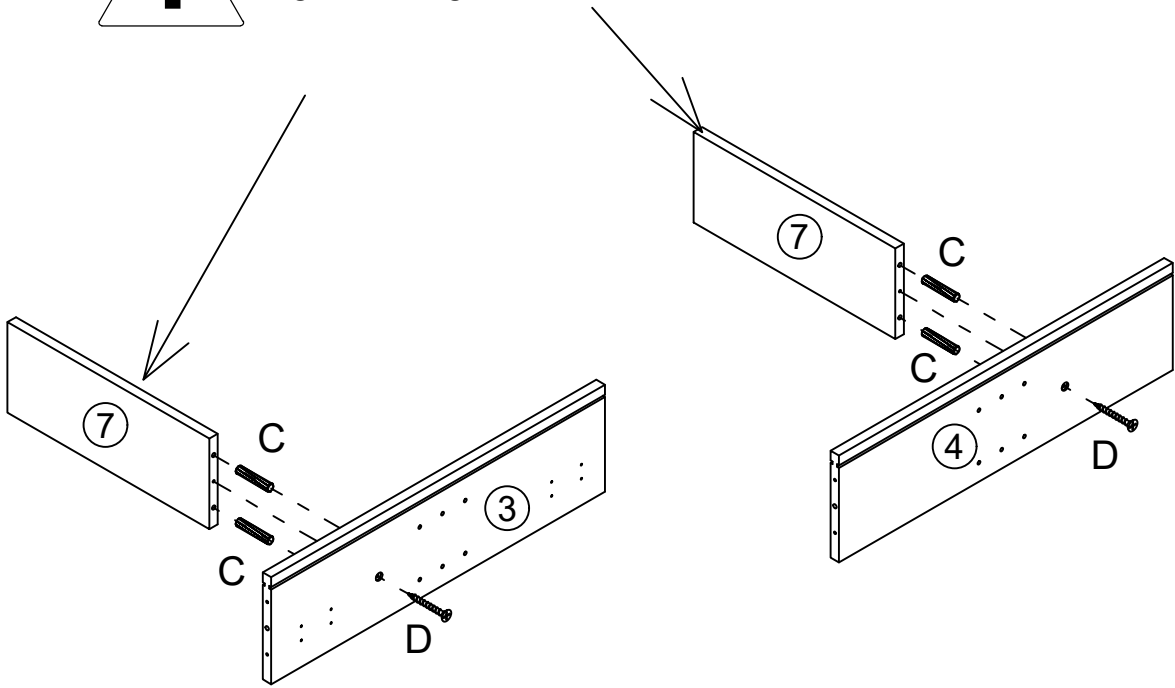


C	x4	D	x2
Ø6x30mm		Ø4x35mm	

14

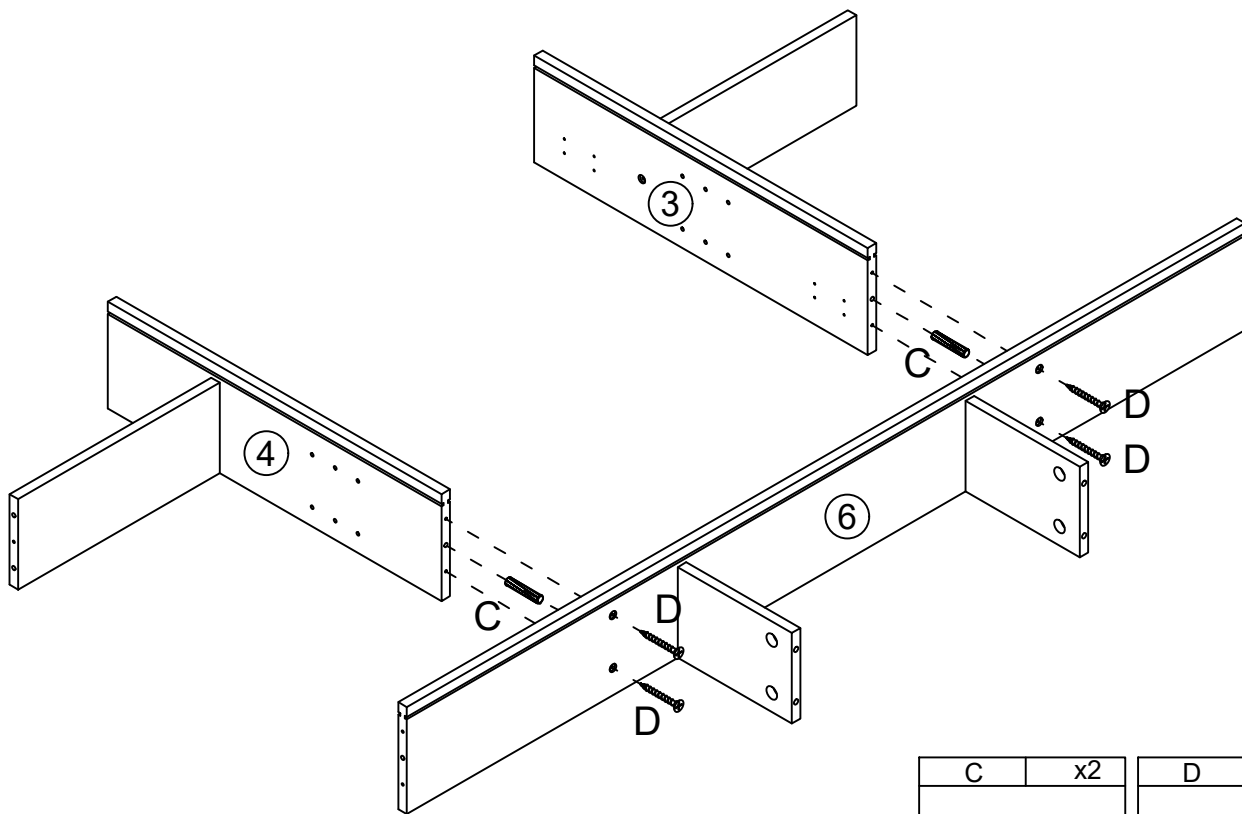



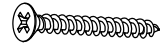
Please note that there is no edge banding on this side



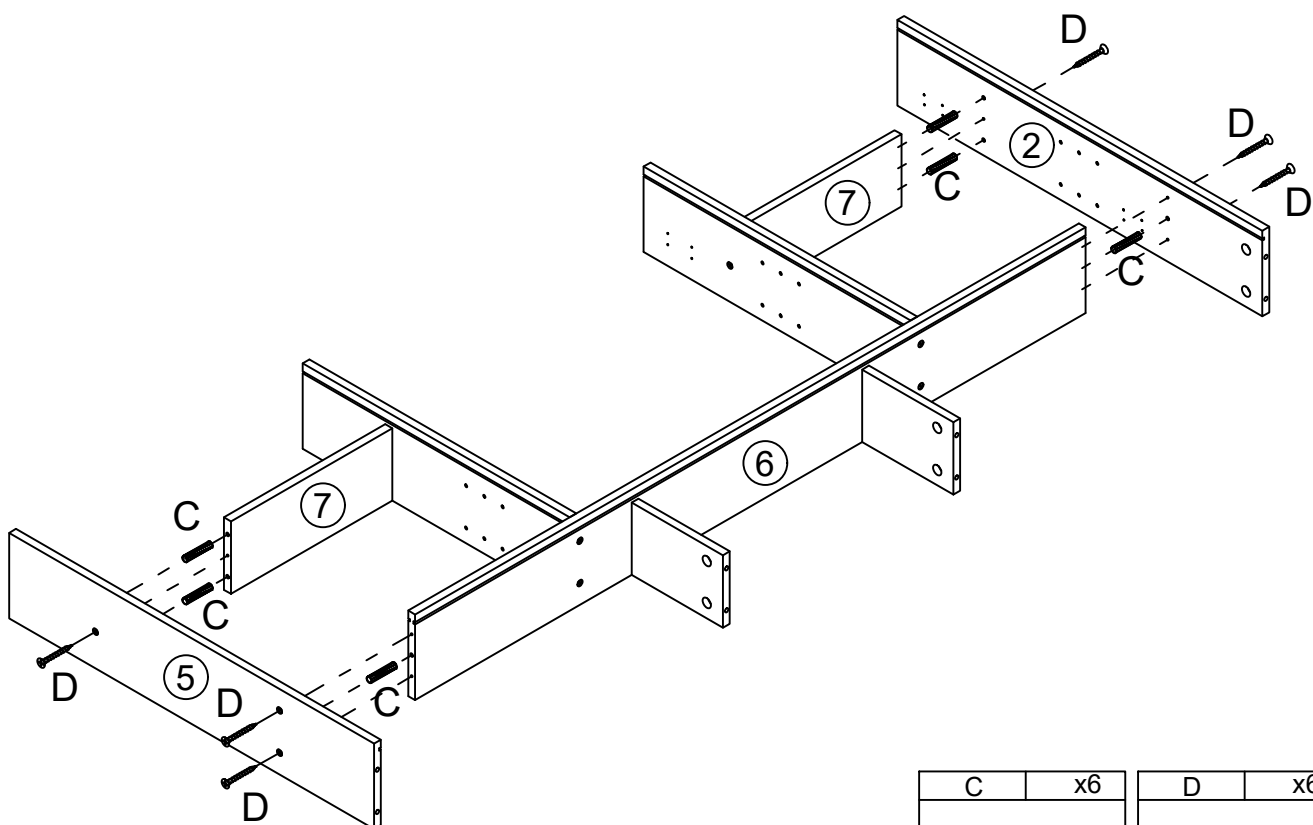
C	x4	D	x2
Ø6x30mm		Ø4x35mm	



15



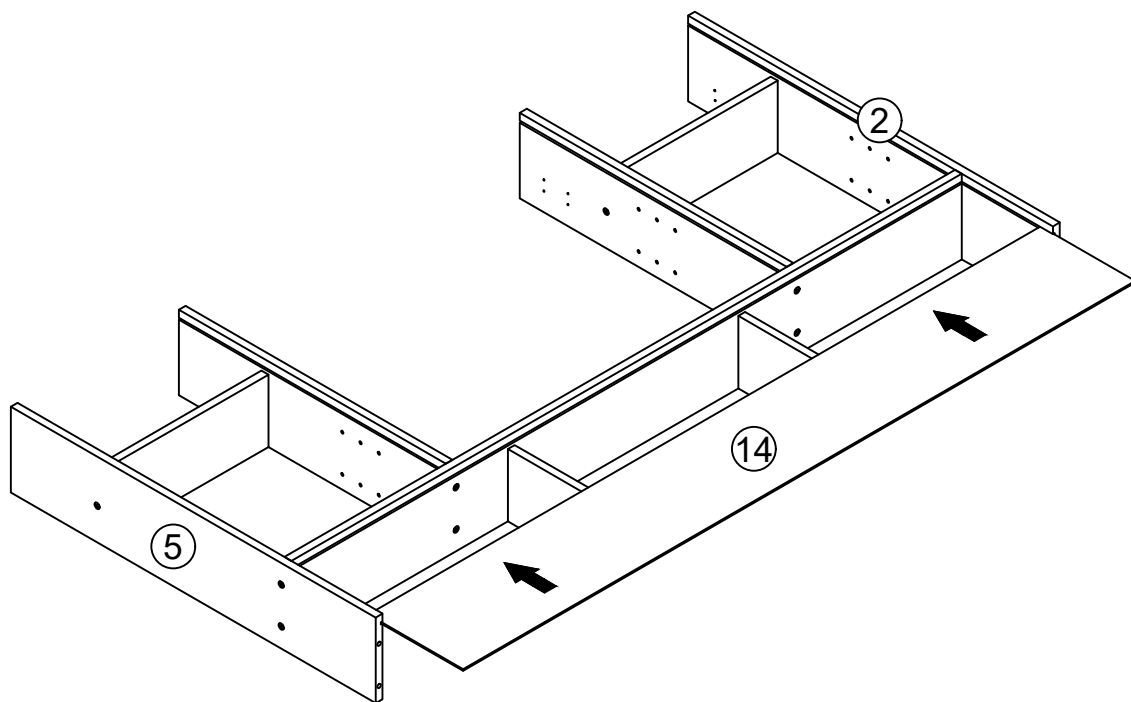
C	x2	D	x4
			
Ø6x30mm		Ø4x35mm	

16

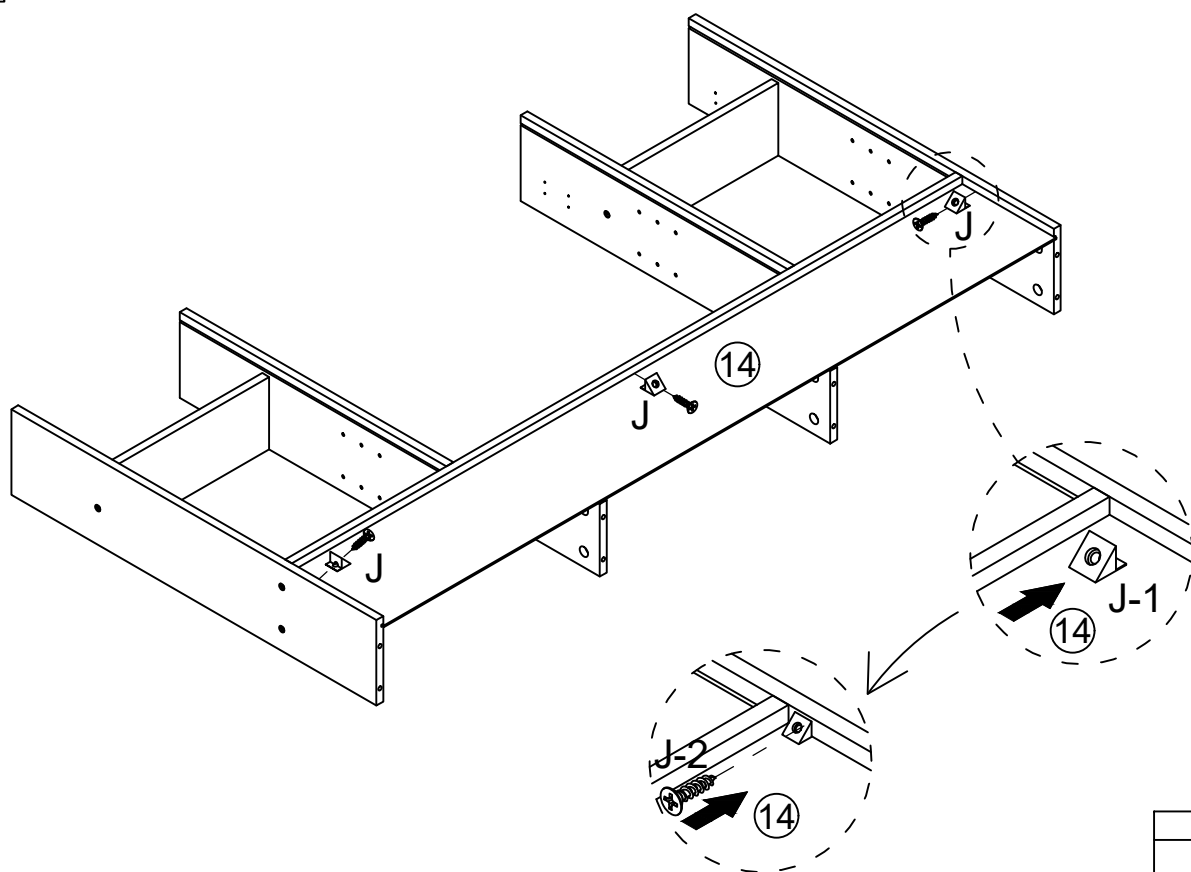




C	x6	D	x6
			
Ø6x30mm		Ø4x35mm	

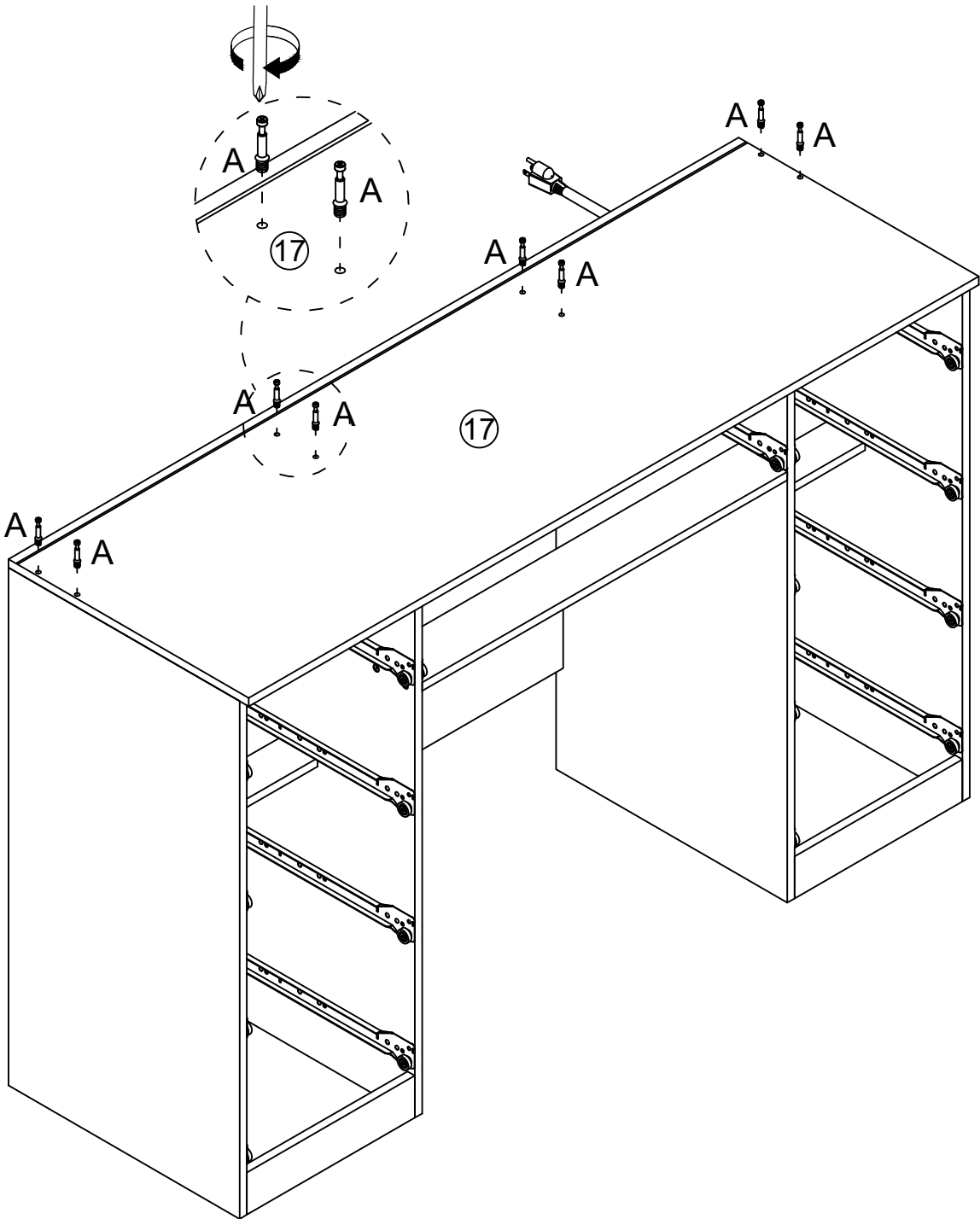
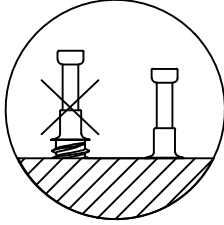
17



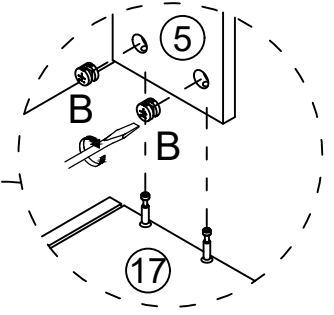
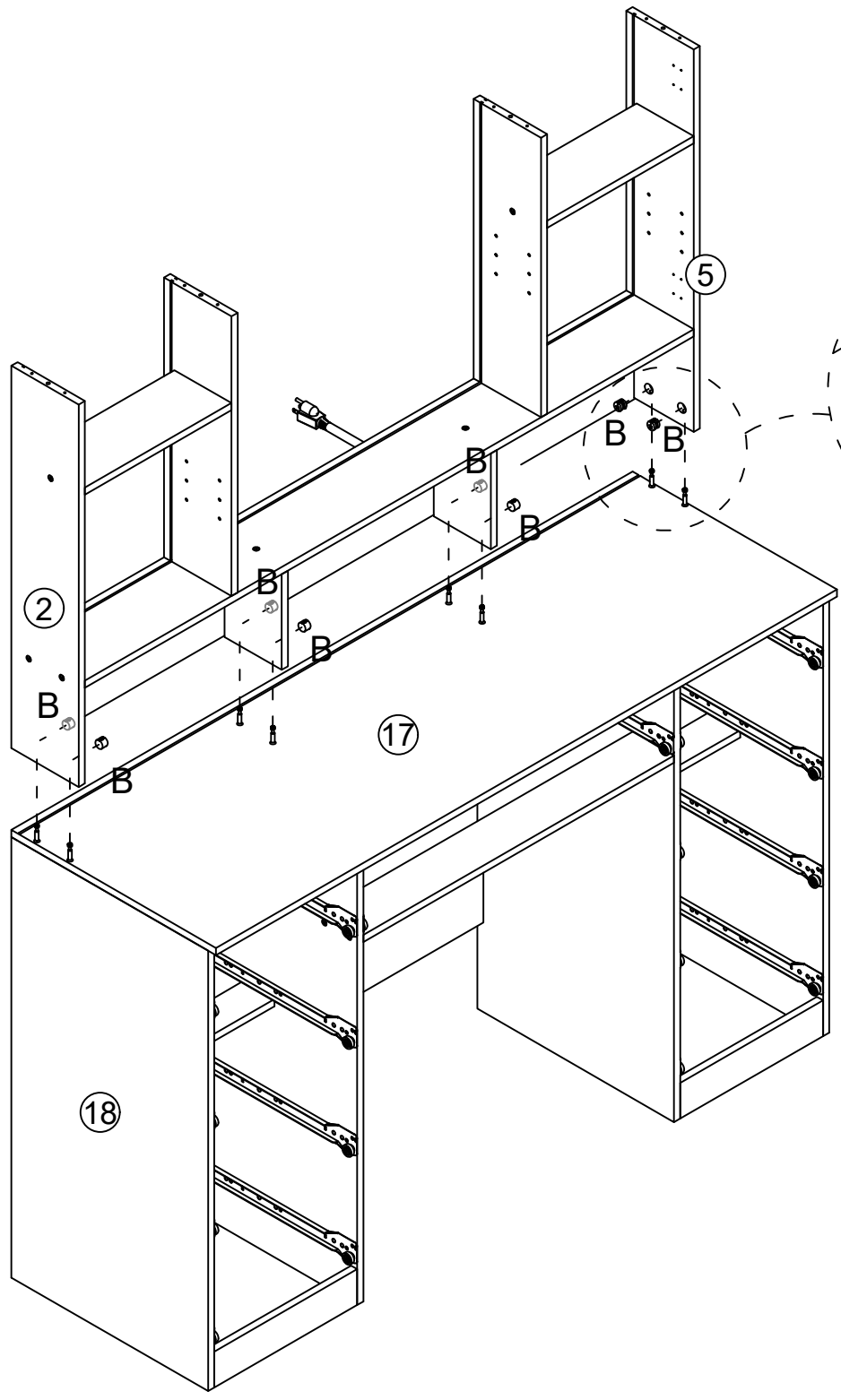
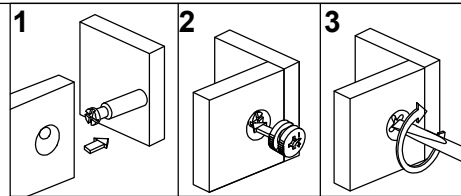
18



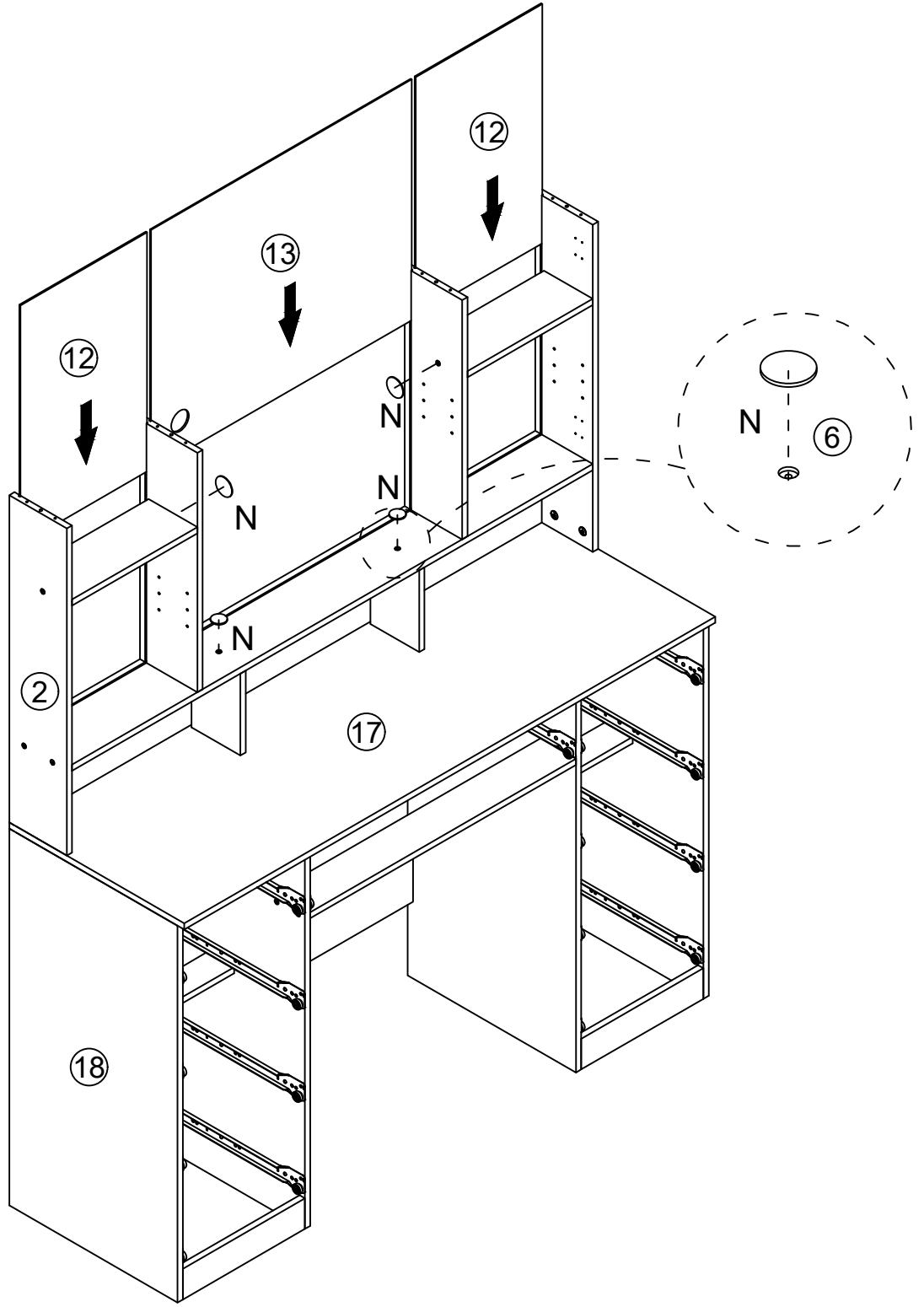
J	x3
J-1	J-2
	



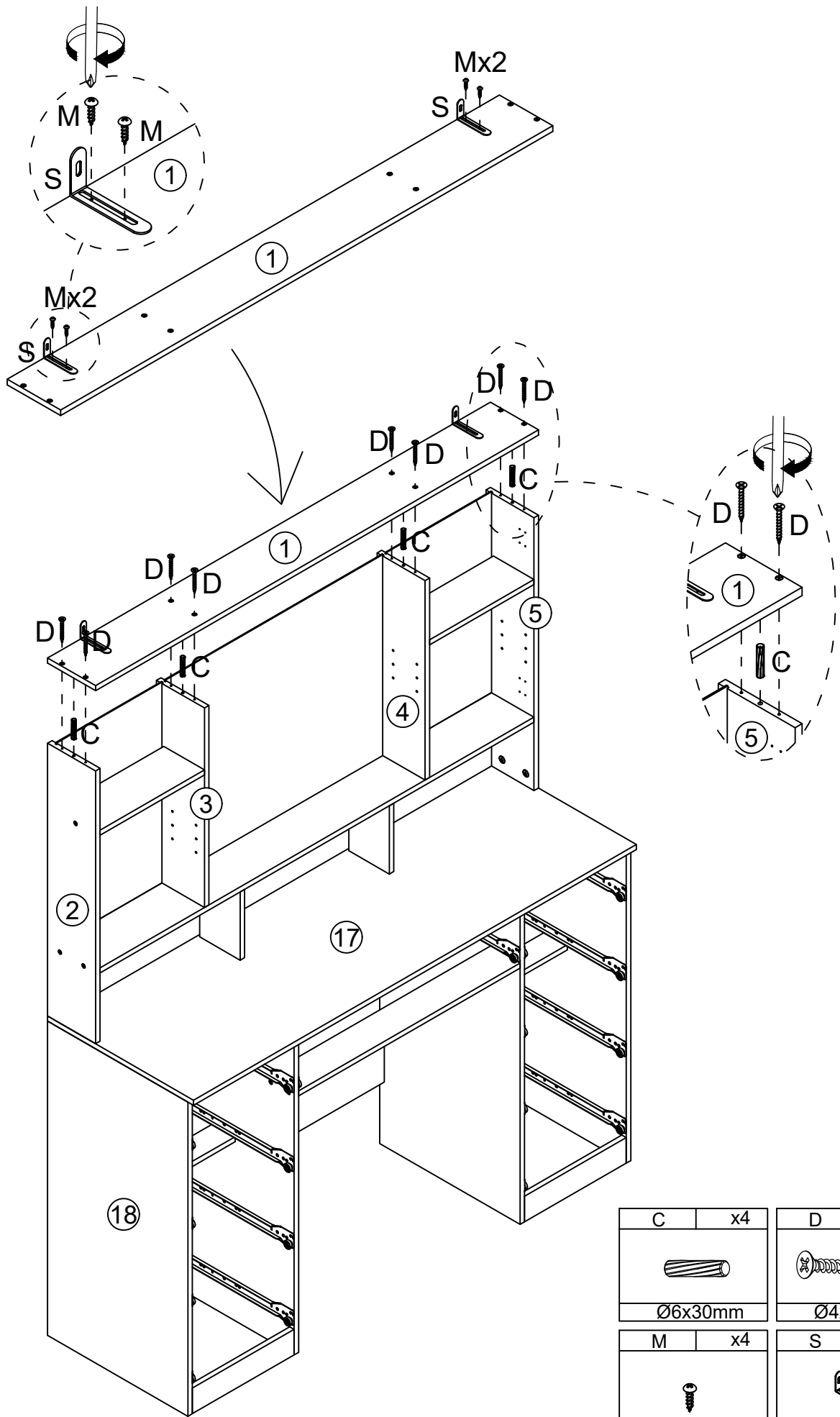
A	x8
Ø6x35mm	







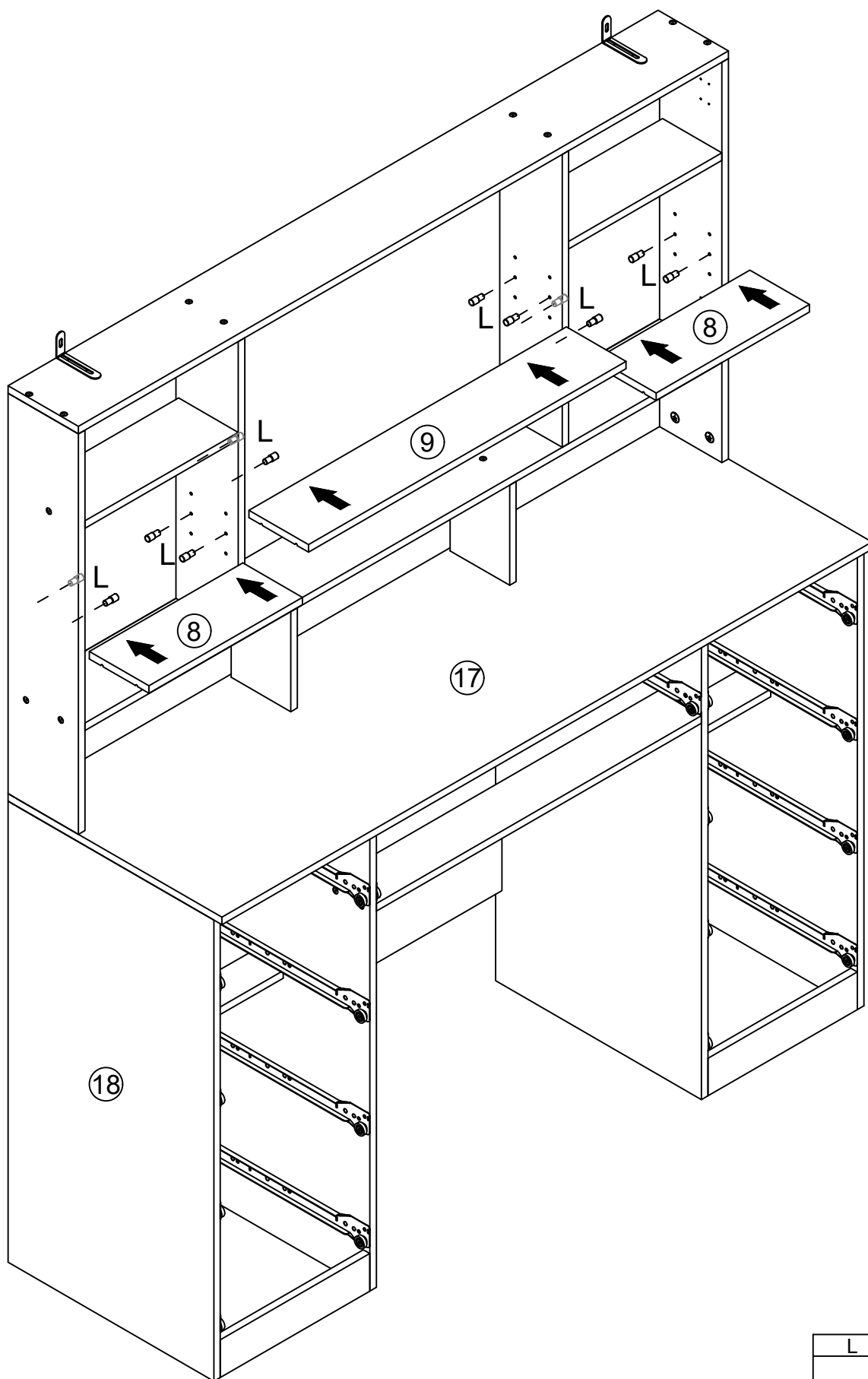
B	x8
Ø15x10mm	




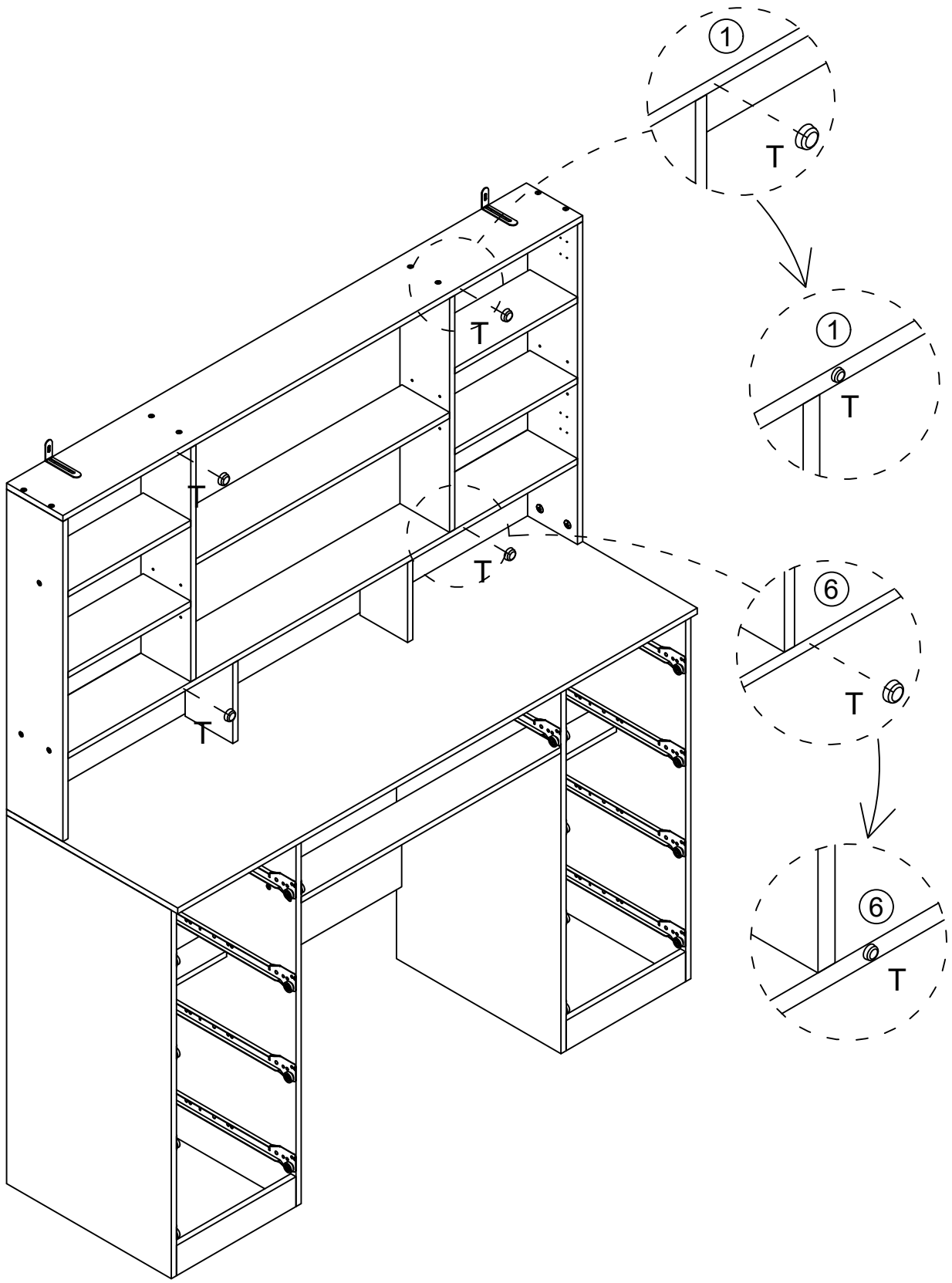
N	x4
○	




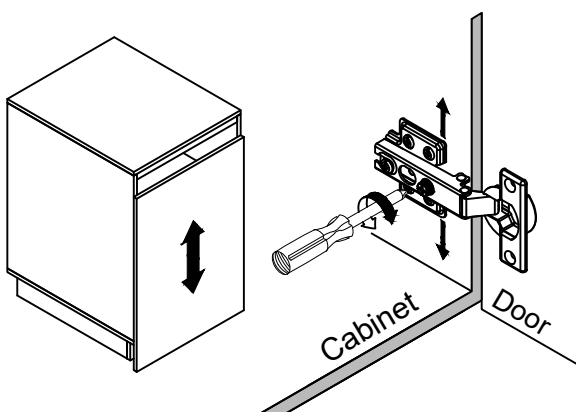
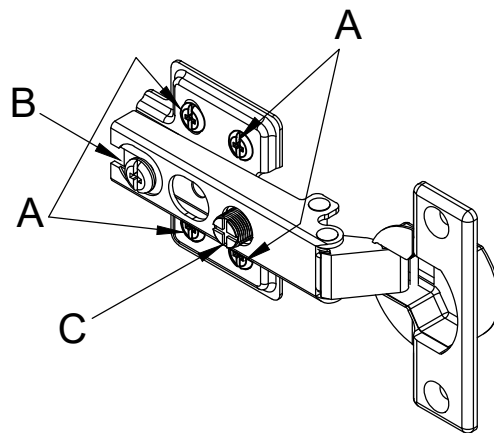
C	x4	D	x8
			
Ø6x30mm		Ø4x35mm	
M	x4	S	x2
			
Ø4x12mm			



L	x12
	

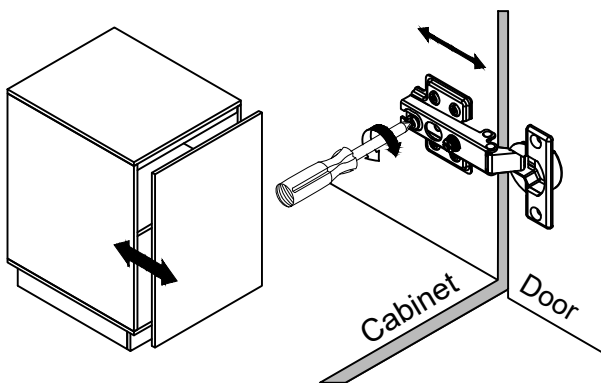


T	x4
	



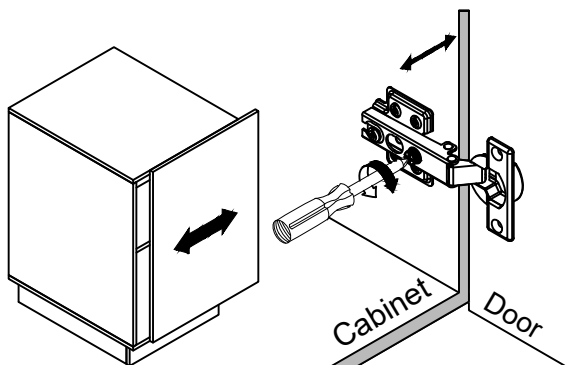
To adjust the vertical height.

Loosen the four screws "A" on both hinges. Two of them are usually in slotted holes which allows you to adjust up or down by a few mm. Then tighten back up.



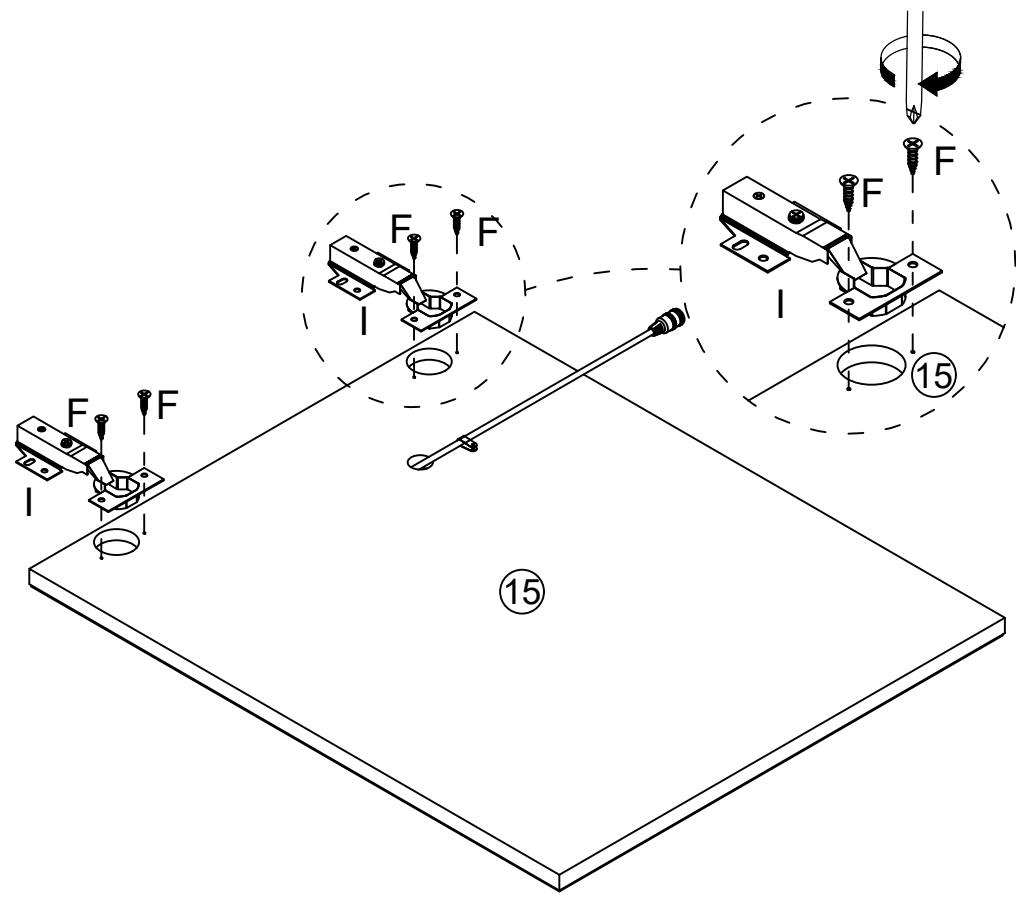
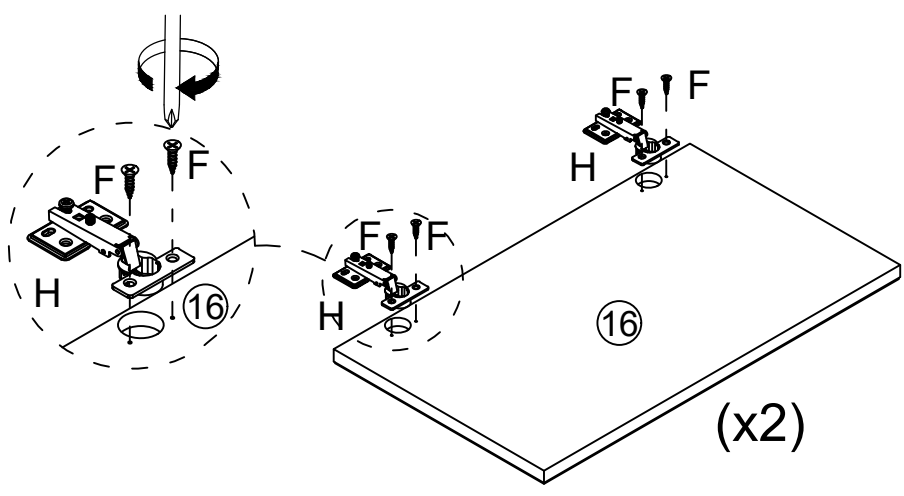
To adjust depth.



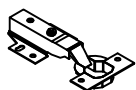
Loosen screw "B" and adjust door, if the door can not be adjusted, please loosen screw "C", then try again. Tighten screw "B" and "C".

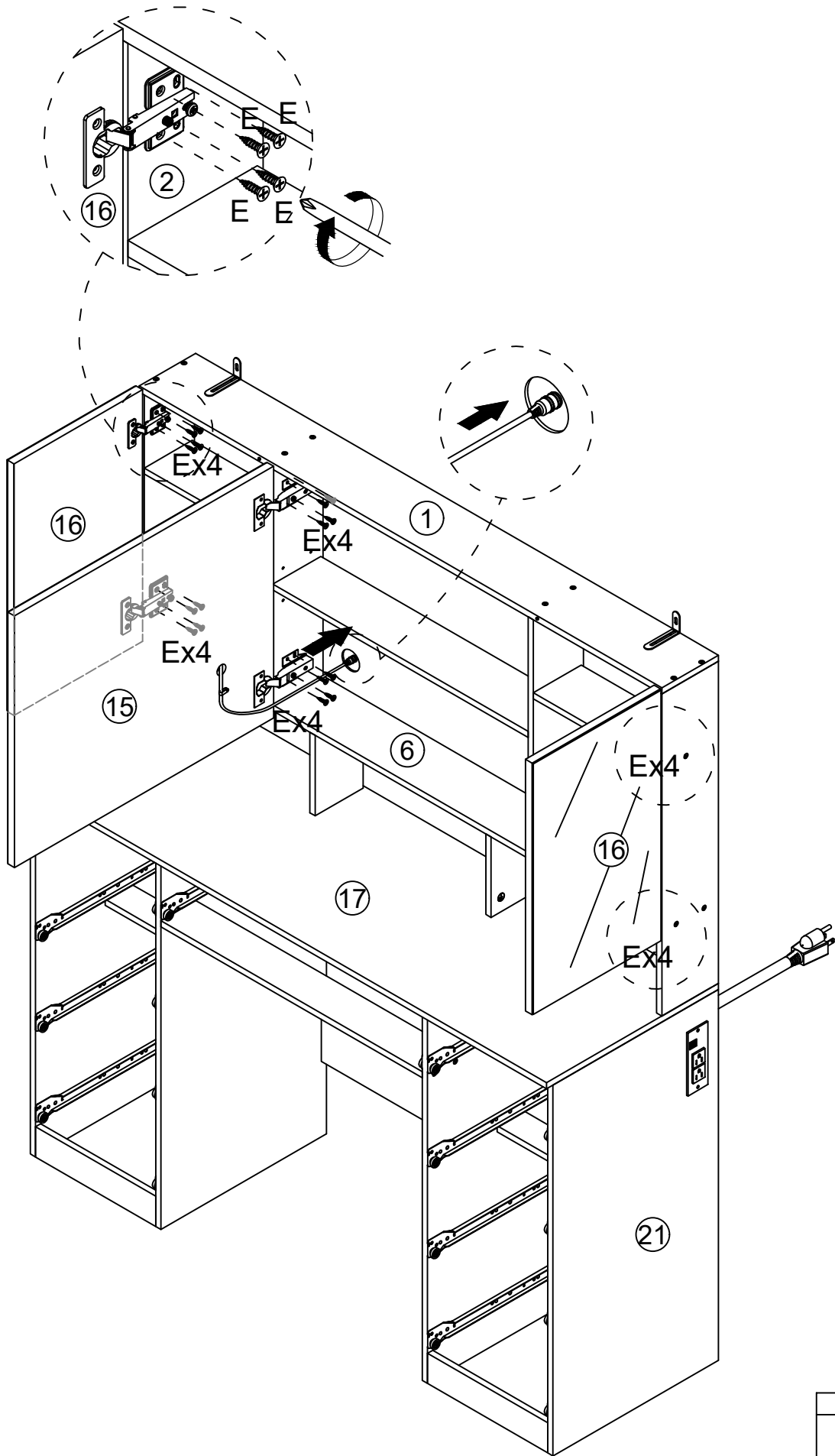



To adjust side ways.

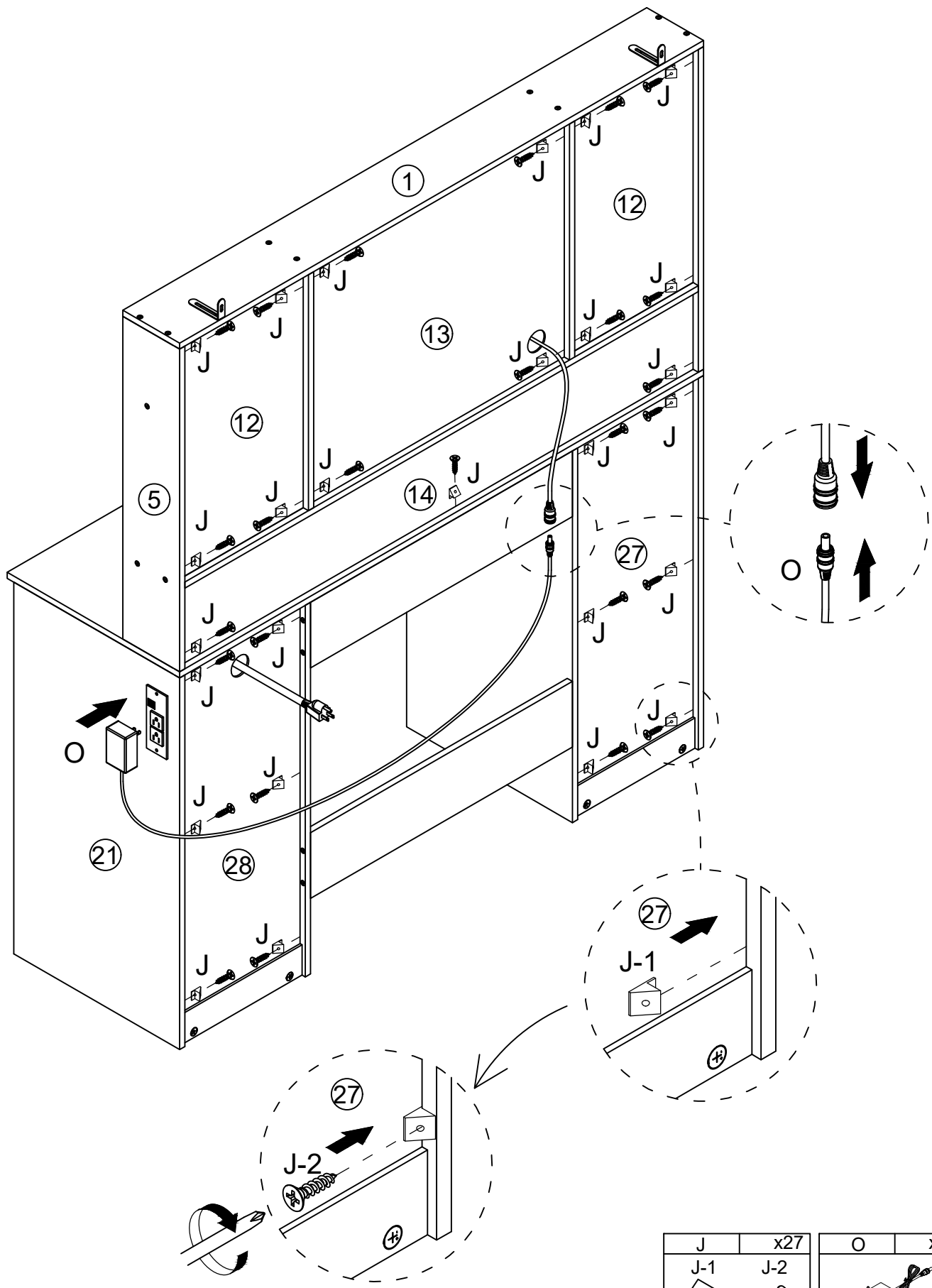
Turning the screw "C" on BOTH hinges on each door.

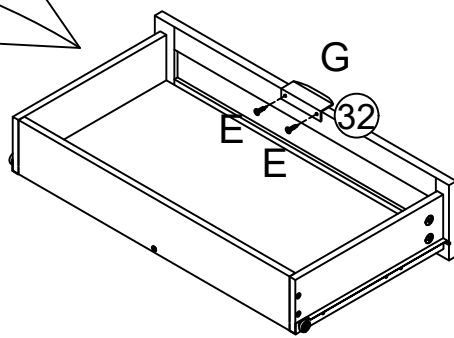
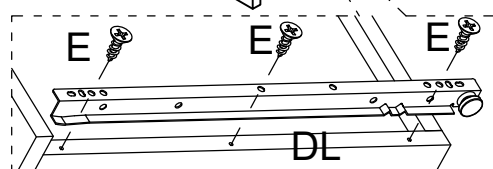
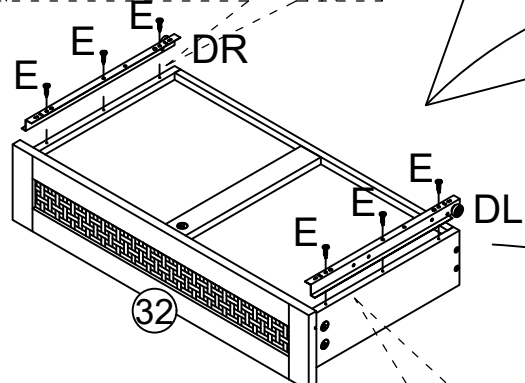
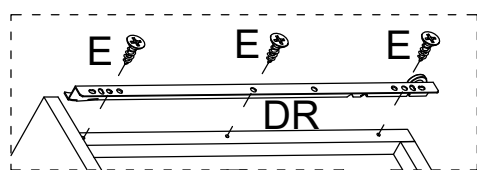
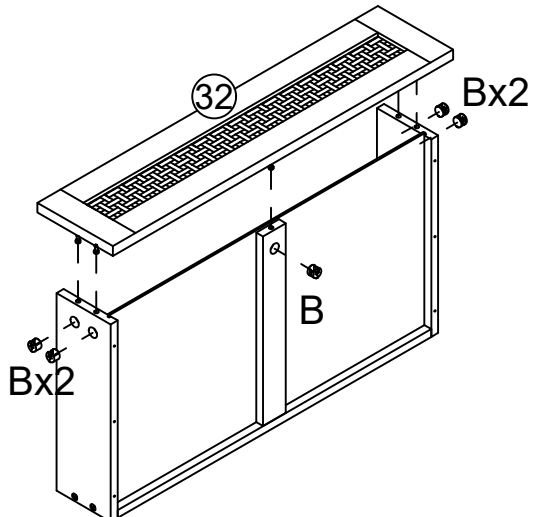
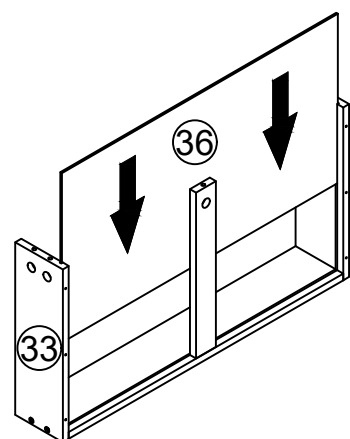
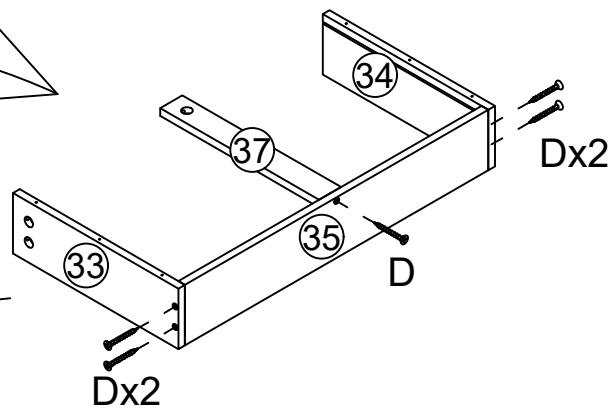
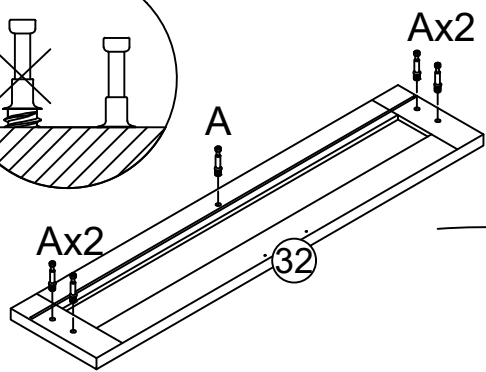
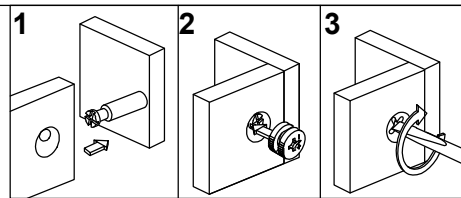
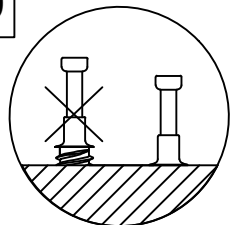


F	x12	H	x4	I	x2
					
Ø3.5x14mm					



E	x24
	
Ø3.5x14mm	

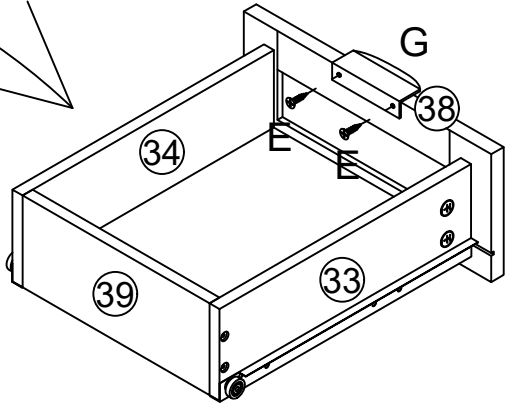
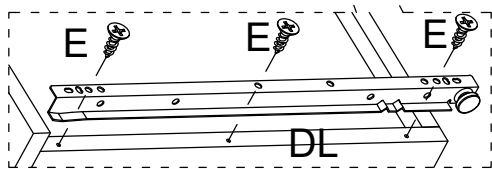
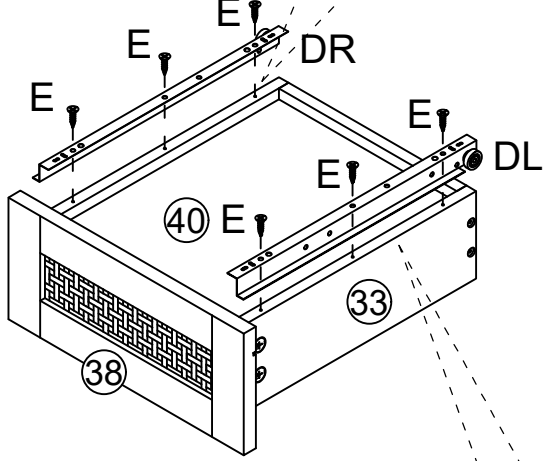
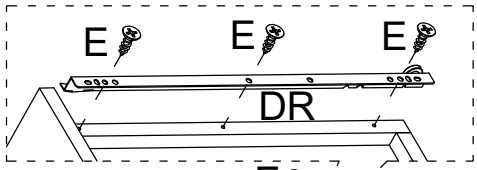
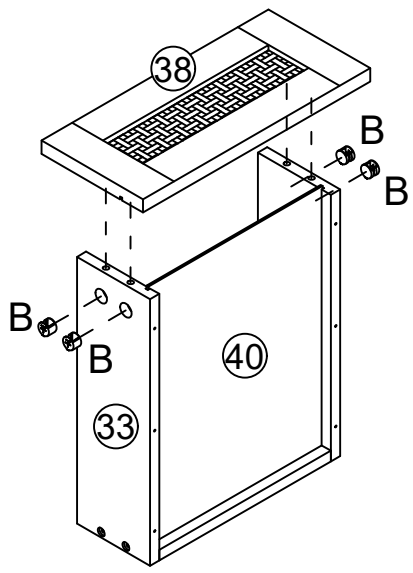
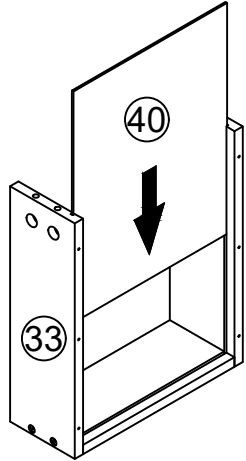
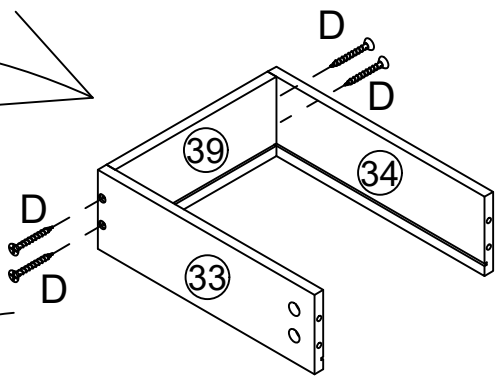
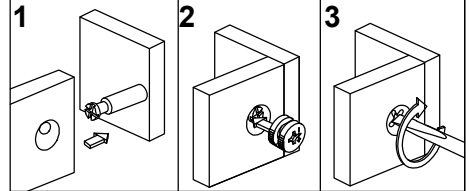
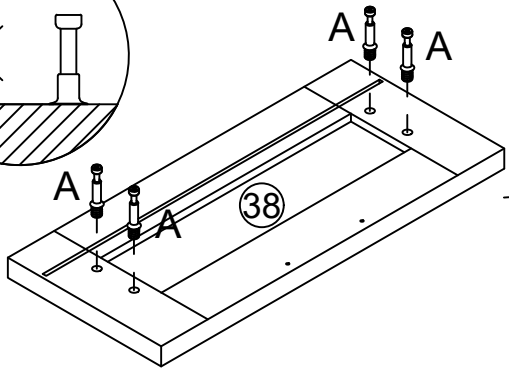
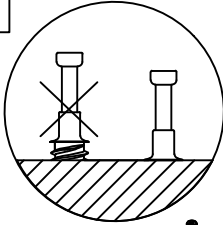




A	x5	D	x5
Ø6x35mm		Ø4x35mm	

B	x5	E	x8	G	x1	DL	x1	DR	x1
Ø15x10mm		Ø3.5x12mm				L300mm		L300mm	

30



A	x8
Ø6x35mm	

D	x8
Ø4x35mm	

B	x8
Ø15x10mm	

E	x16
Ø3.5x12mm	

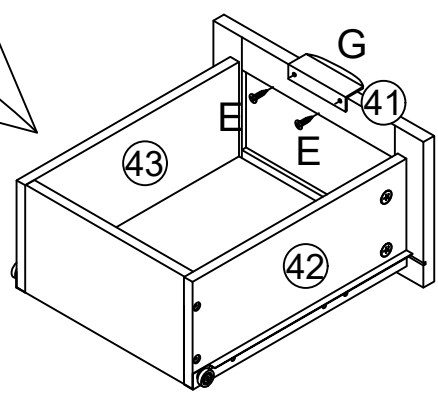
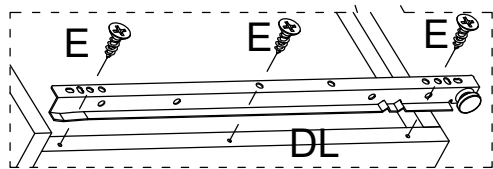
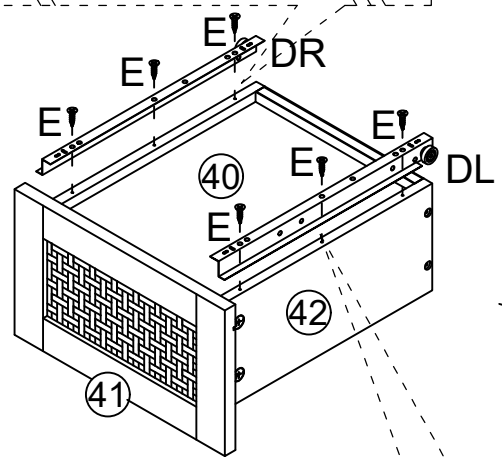
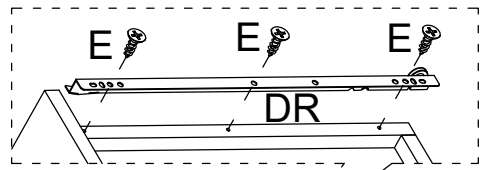
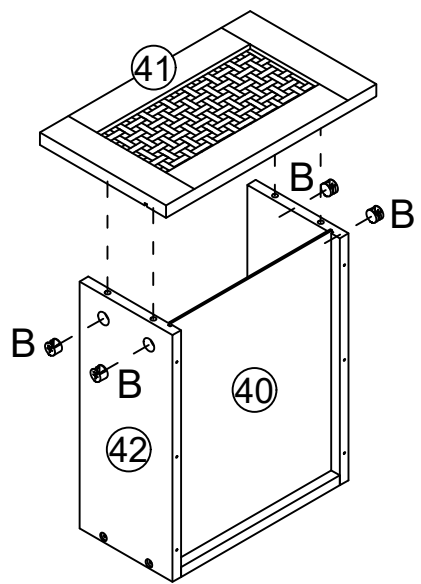
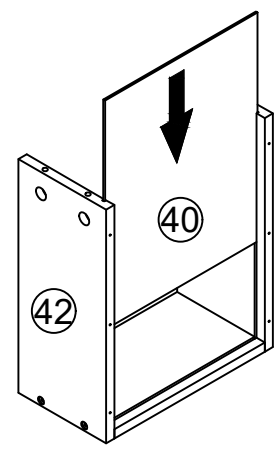
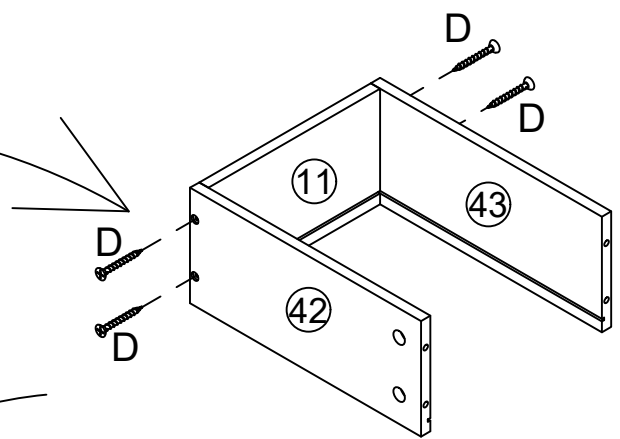
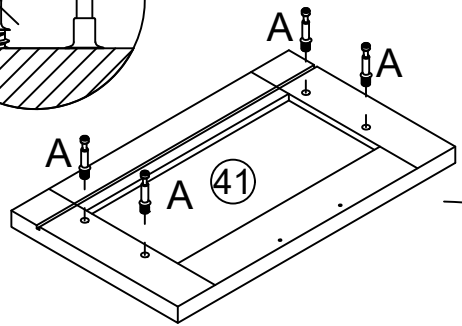
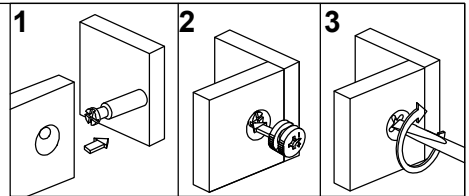
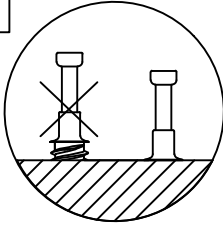
G	x2

DL	x2
L300mm	

DR	x2
L300mm	

x2

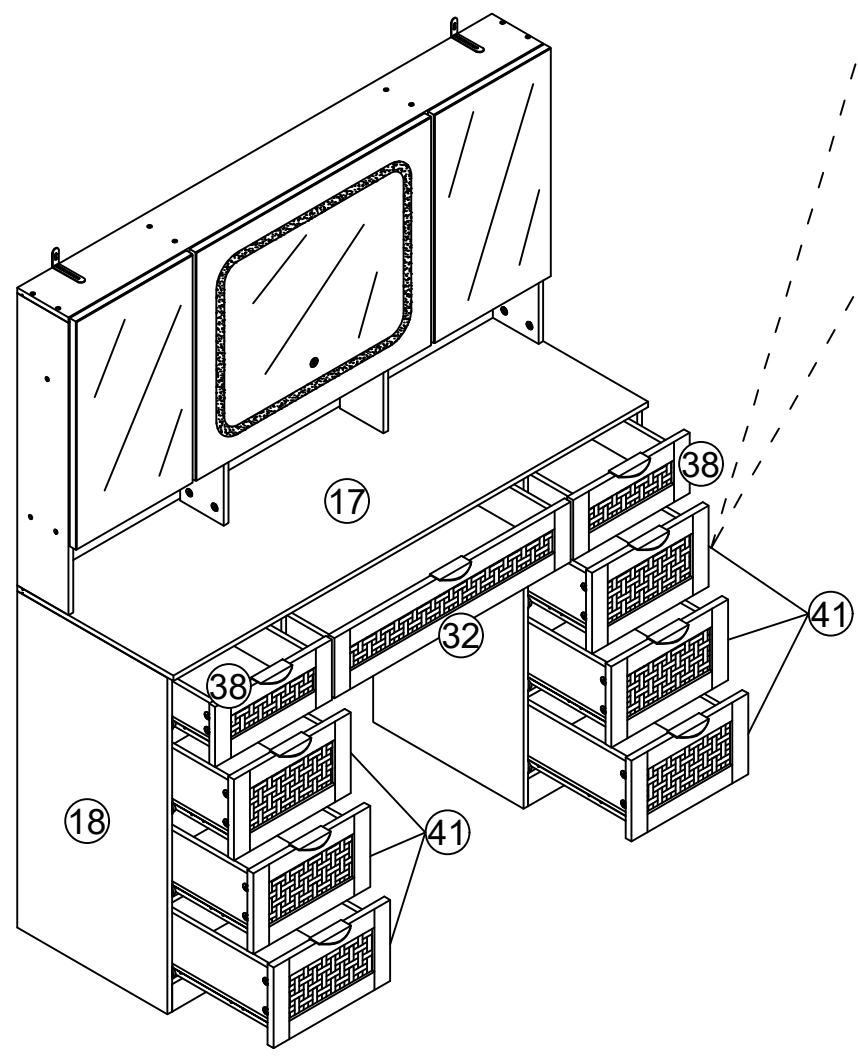
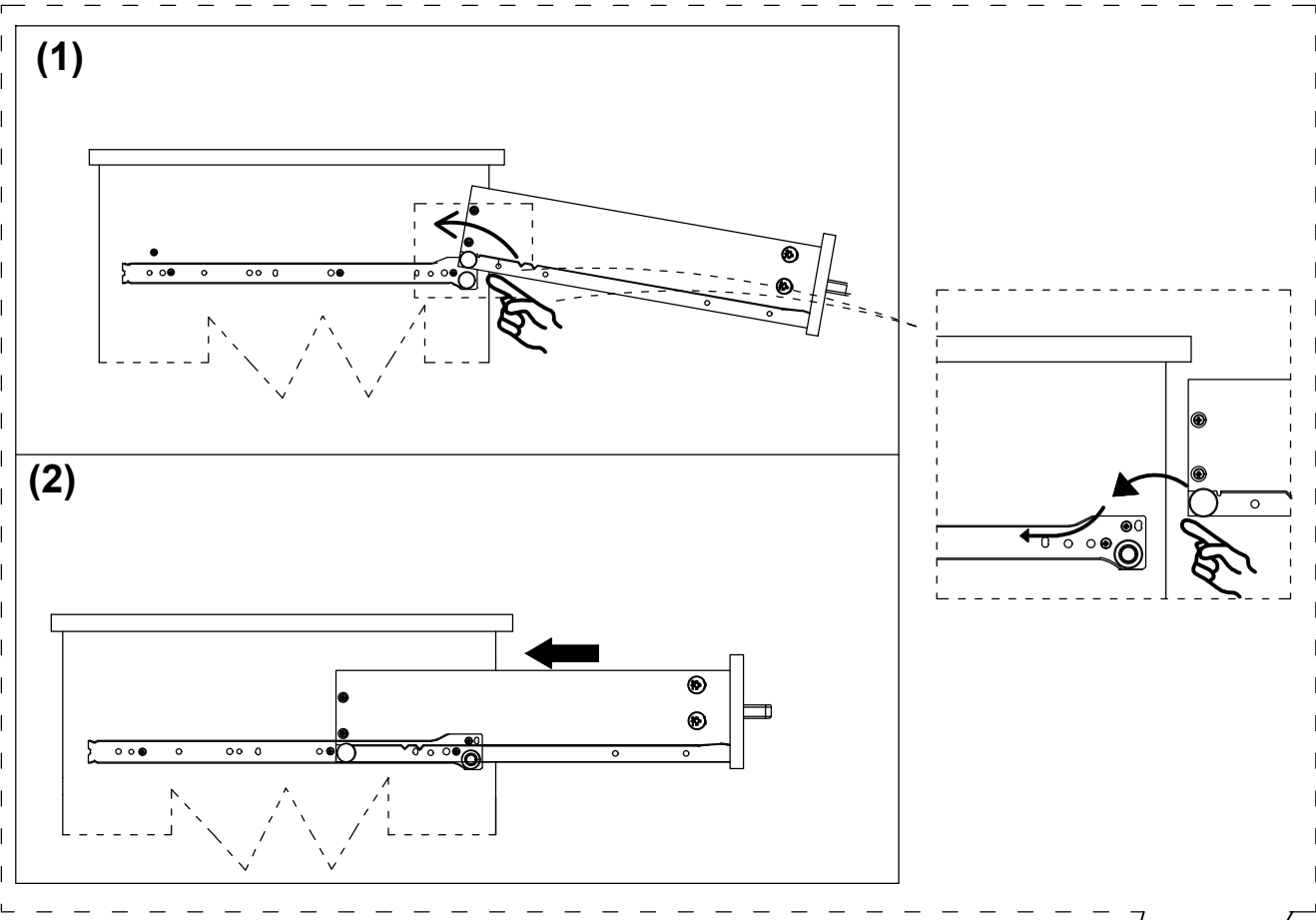
31

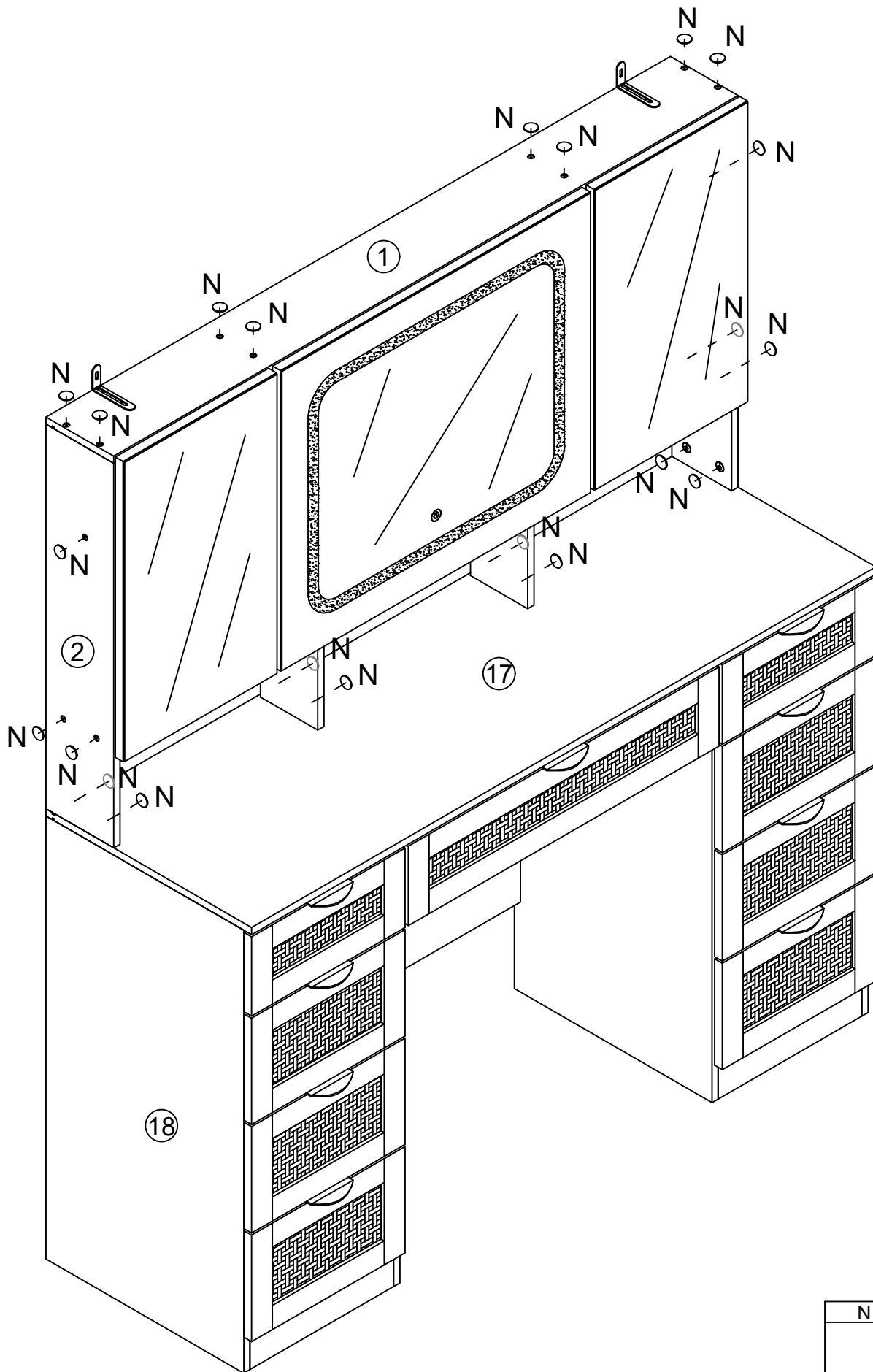


A	x24	D	x24
Ø6x35mm		Ø4x35mm	

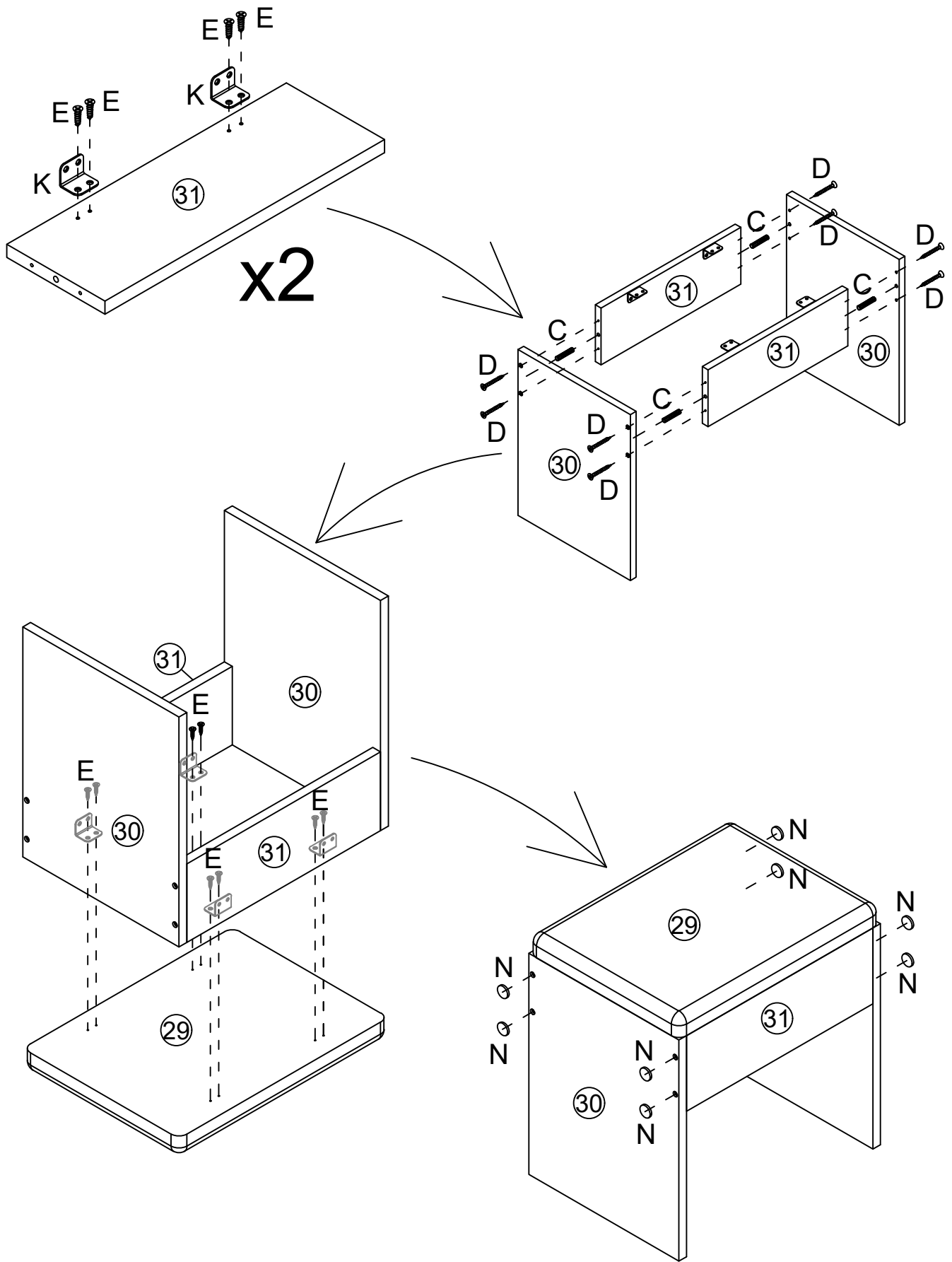
B	x24	E	x48	G	x6	DL	x6	DR	x6
Ø15x10mm		Ø3.5x12mm				L300mm		L300mm	

x6

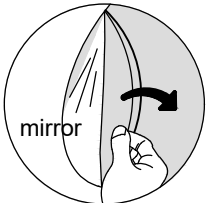
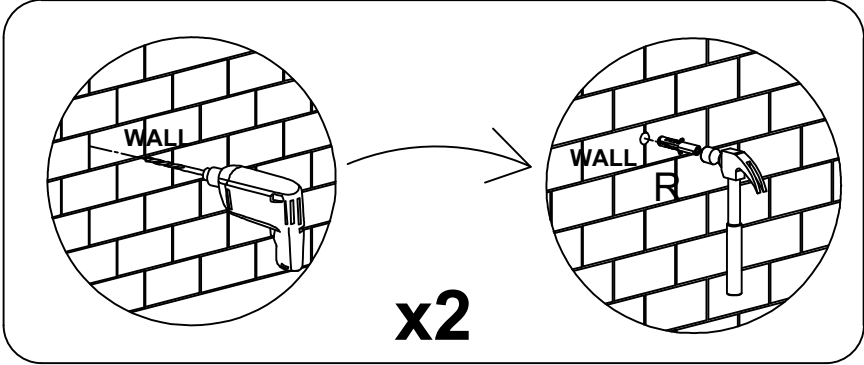




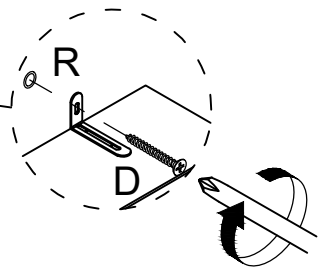
N	x22
0	



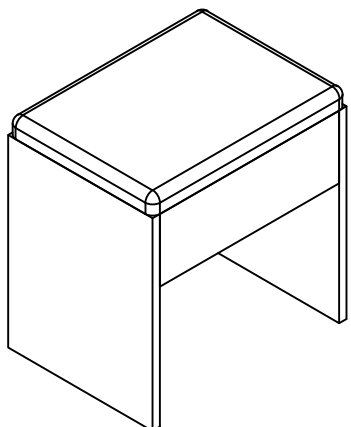
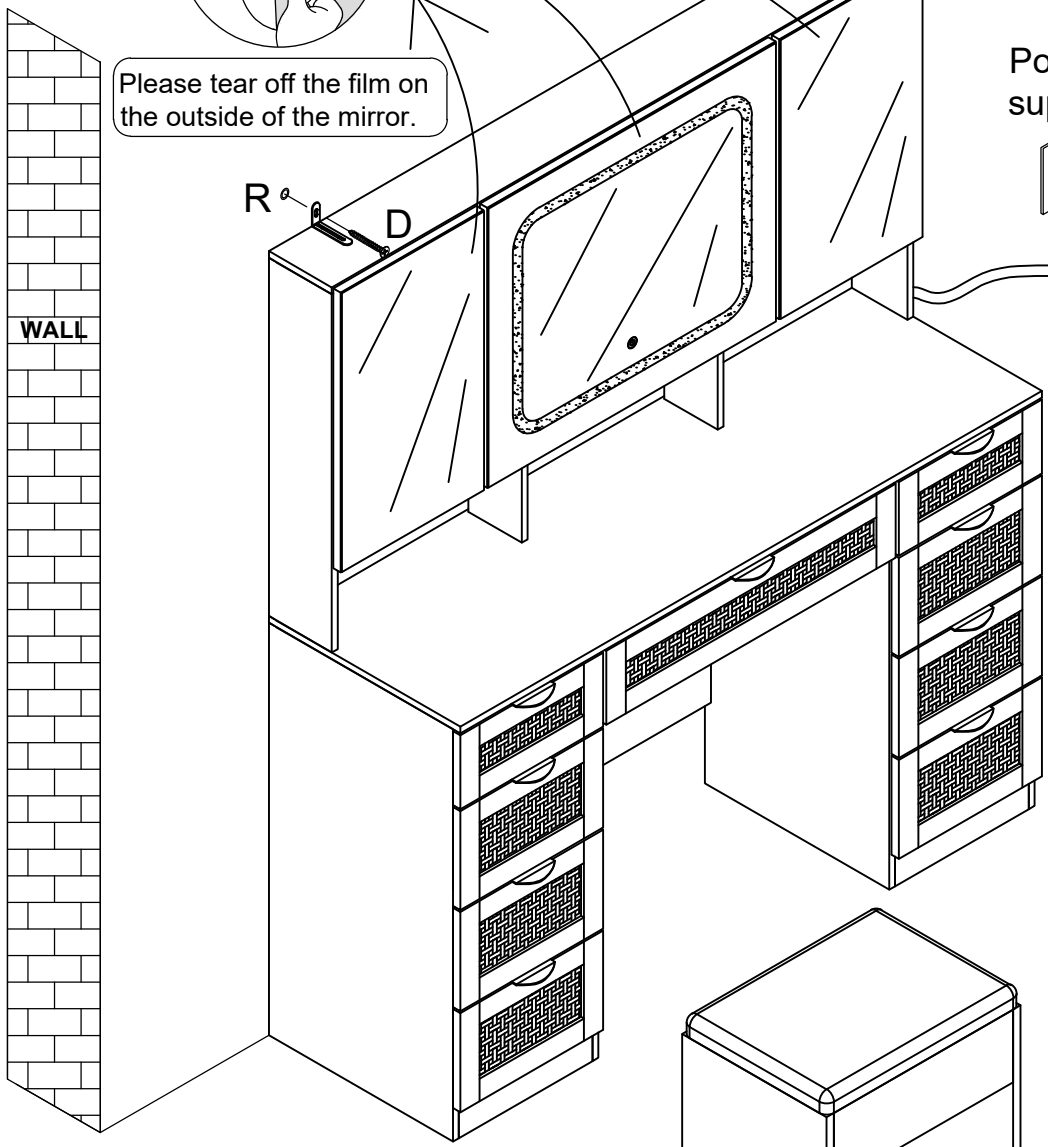
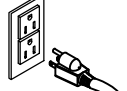
C	x4	D	x8	E	x16	K	x4	N	x8
Ø6x30mm		Ø4x35mm		Ø3.5x12mm					


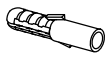


Please tear off the film on the outside of the mirror.



Power supply



D	x2	R	x2
			
Ø4x35mm		Ø6x30mm	