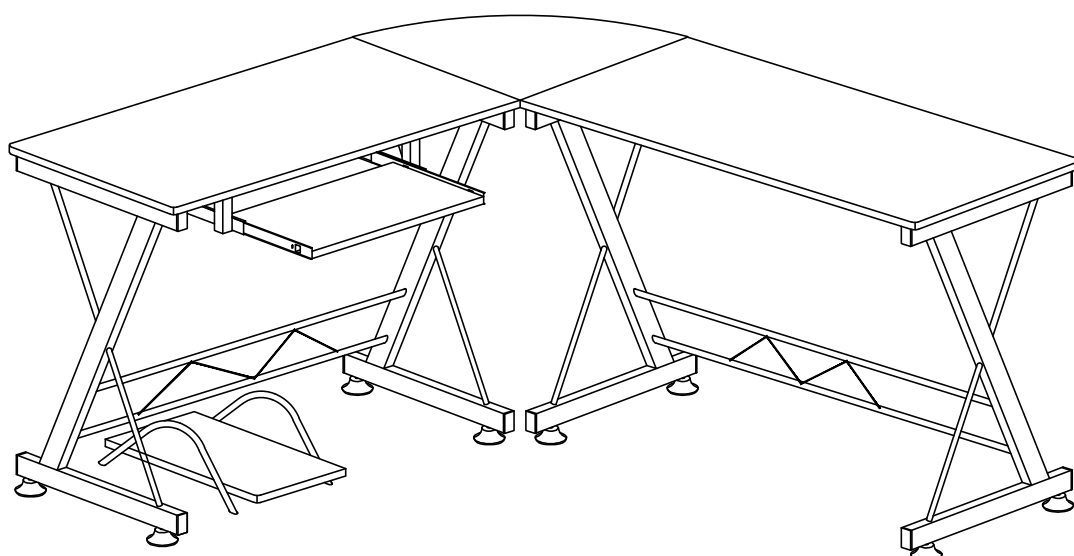
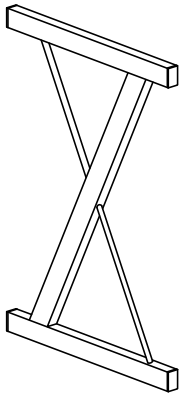
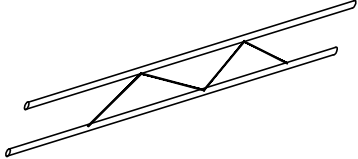
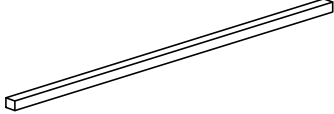
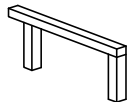

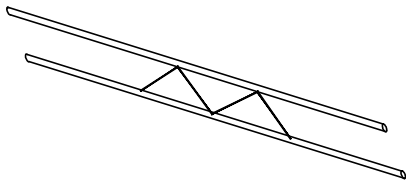

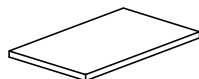
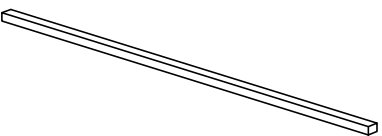

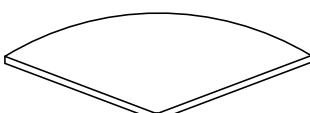
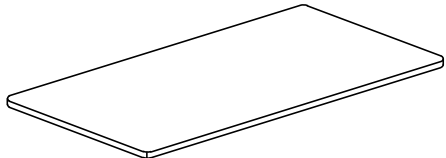
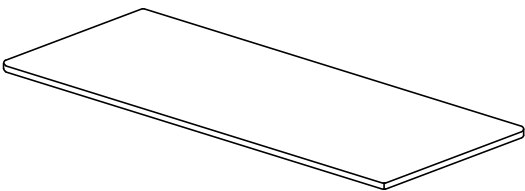
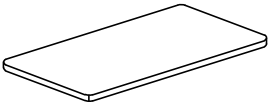
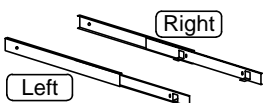
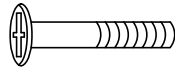
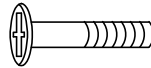
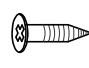



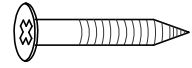

Assembly Instructions

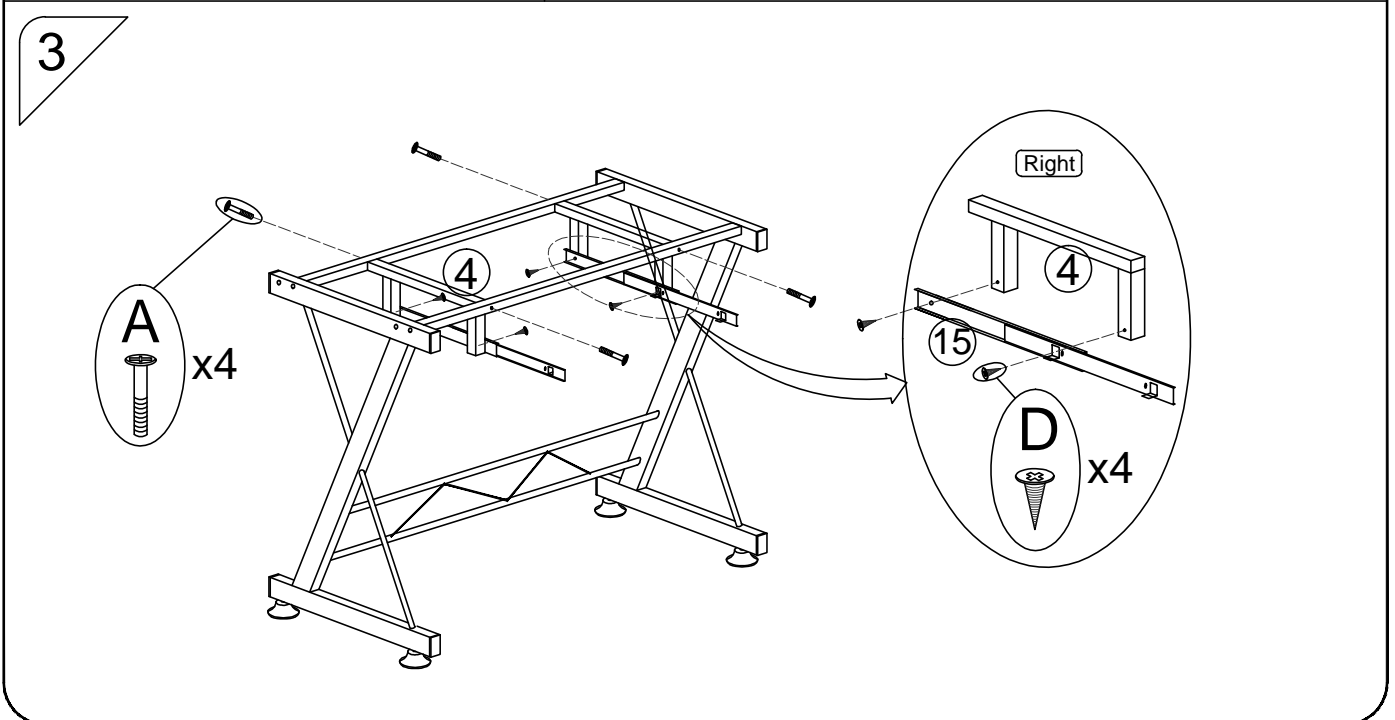
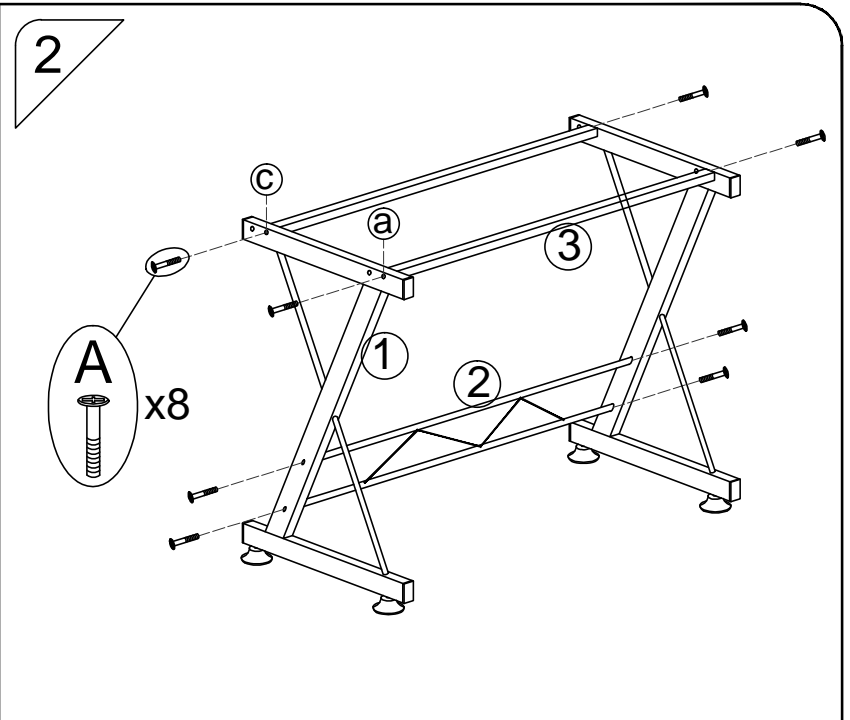
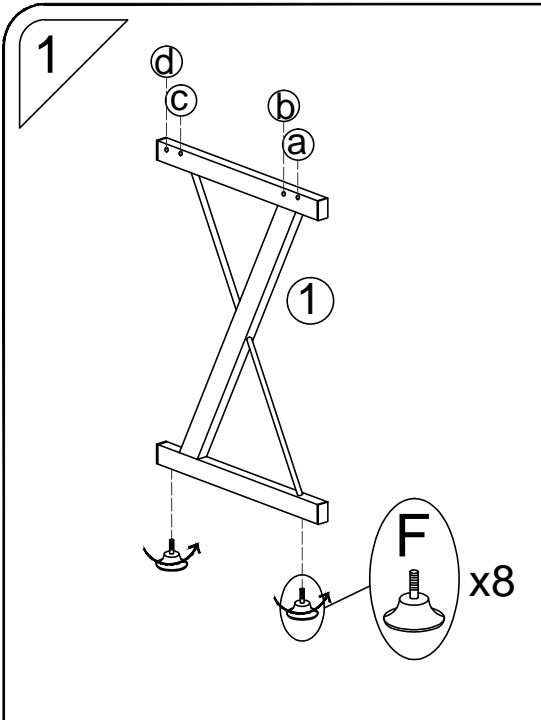


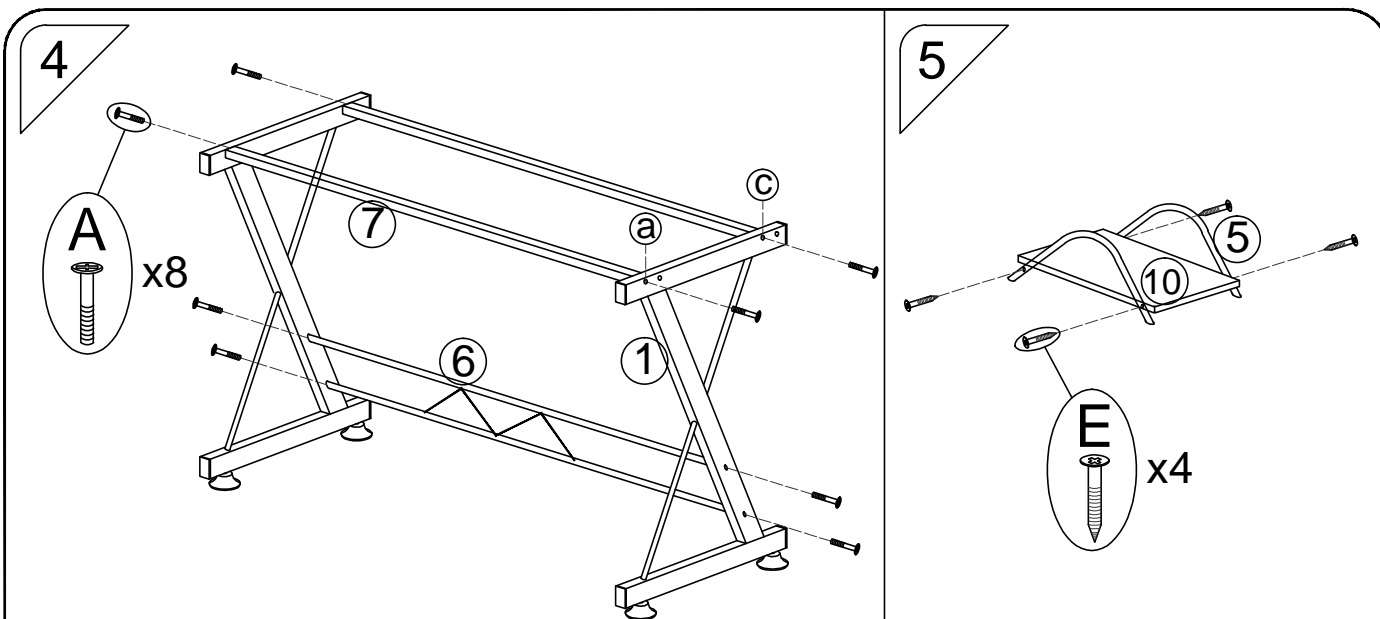
NEED TWO PEOPLE INSTALL

<p>①</p>  <p>x4</p>	<p>②</p>  <p>x1</p> <p>③</p>  <p>x2</p>	<p>④</p>  <p>x2</p> <p>⑤</p>  <p>x2</p>
<p>⑥</p>  <p>x1</p>	<p>⑧</p>  <p>x1</p>	<p>⑩</p>  <p>x1</p>
<p>⑦</p>  <p>x2</p>	<p>⑨</p>  <p>x1</p>	<p>⑪</p>  <p>x1</p>
<p>⑫</p>  <p>x1</p>	<p>⑬</p>  <p>x1</p>	
<p>⑭</p>  <p>x1</p>	<p>⑮</p>  <p>x1 set</p>	

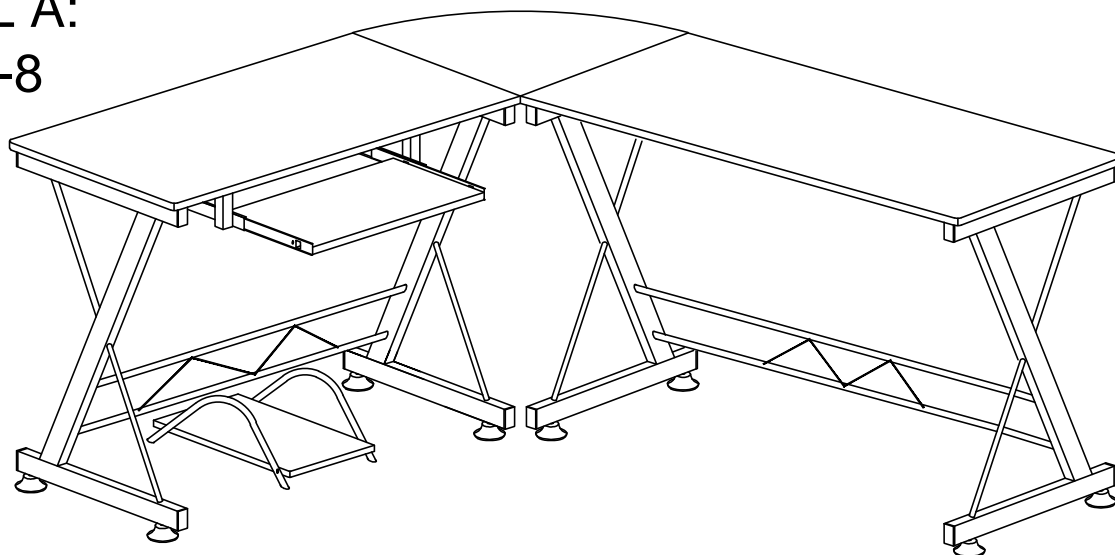
PART	QTY	SPEC	
A	26	6x35 MM	
B	8	6x30 MM	
C	4	4x14 MM	

PART	QTY	SPEC	
D	4	4x8 MM	
E	4	5x50 MM	
F	8		





MODEL A:
STEP 6-8



MODEL B:
STEP 9-11

