

# INSTALLATION



## **CAUTION**

Parts are placed at the bottom of the product.

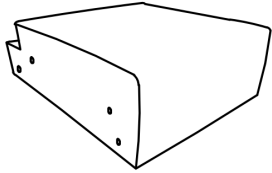












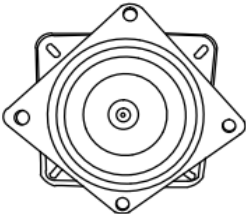
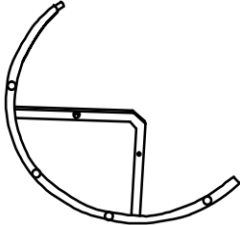
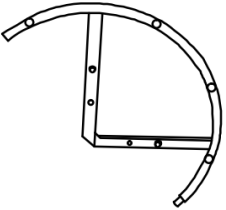
# Assembly Instructions

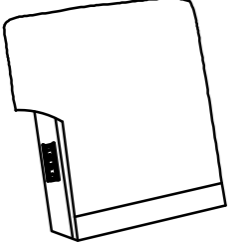

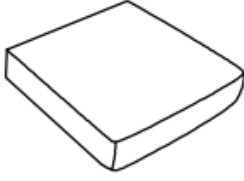

## CAUTION

**DO NOT** use any sharp objects to open plastic wrapped components as this may result damage to product or components .

Your accent chair comes packaged in **One** box. Carefully remove all of components from the packaging and setaside for assembly.

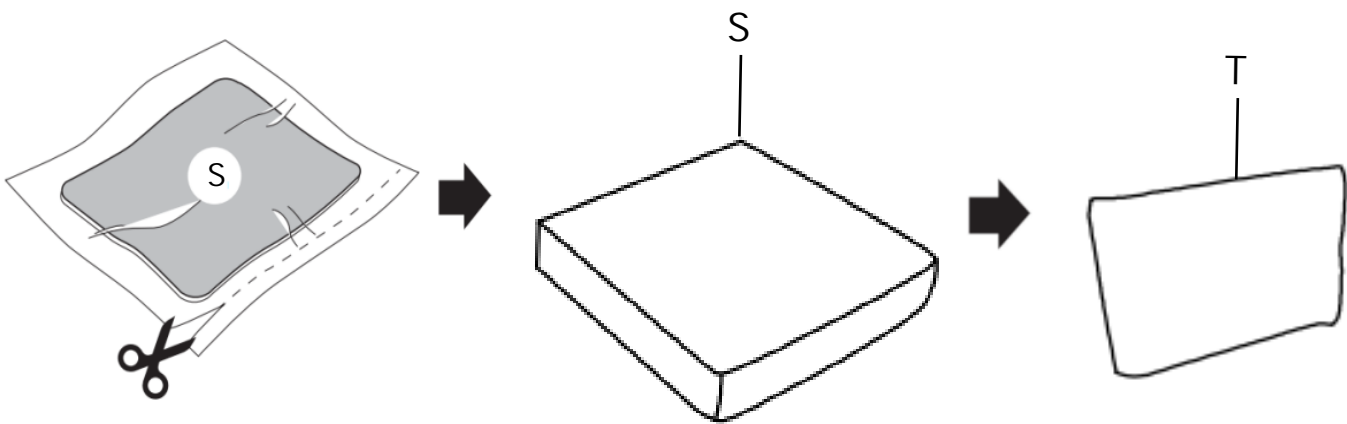
## Package Contents

<b>BOX 1</b> CS002CF91D				
	A*1	B*1	C*1	D*8 平头M8*40
				
	E*8铁垫片- 8* 30*T2	F*1	G*4 大扁头M6*40	H*4 大扁头M6*30
				
	I*4 大扁头M6*25	J*5	K*1 大扁头M6*65	L*1铁垫片- 6* 16*T1
				
	M*2	N*1	O*1	P*1

				
	Q*1	R*1	S*1	T*1

**Step 1 :**

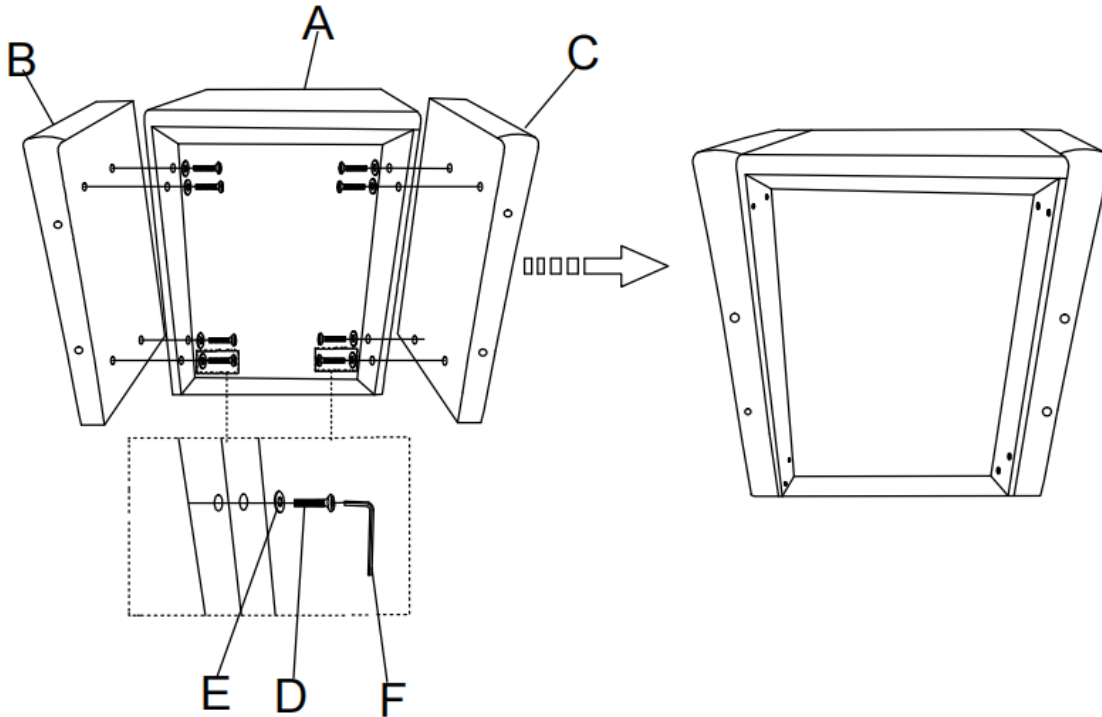
Remove the seat cushion (S) and backpack (T) from the vacuum bag to ensure safety before use



# 1 ACCENT CHAIR ASSEMBLY - BODY SETUP

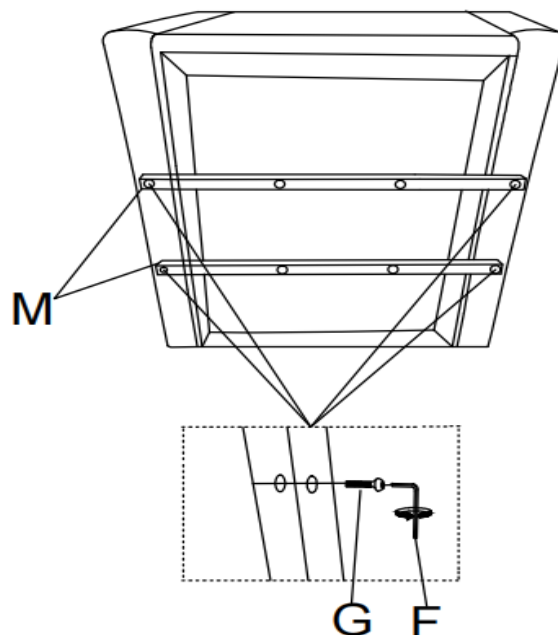
## Step 2:

Install the hardware (D&E&F) onto the seat frame (A) using the left armrest (B) and right armrest (C) facing the sofa.



## Step 3:

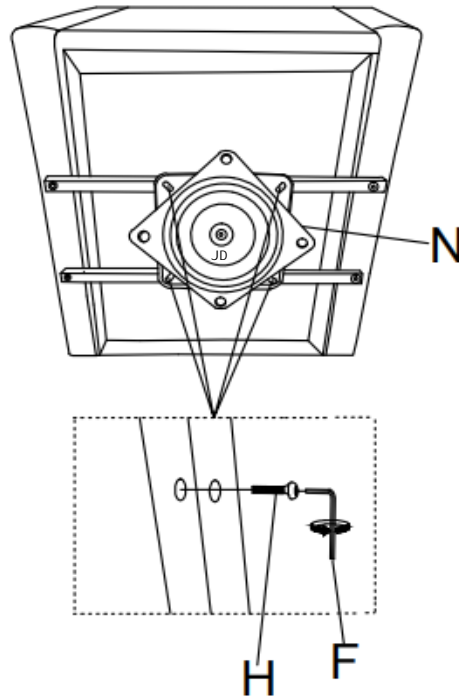
Align the hardware components (F&G) with the bottom holes of the armrest using two square tubes (M) and install them firmly before use



# 2 ACCENT CHAIR ASSEMBLY - BODY SETUP

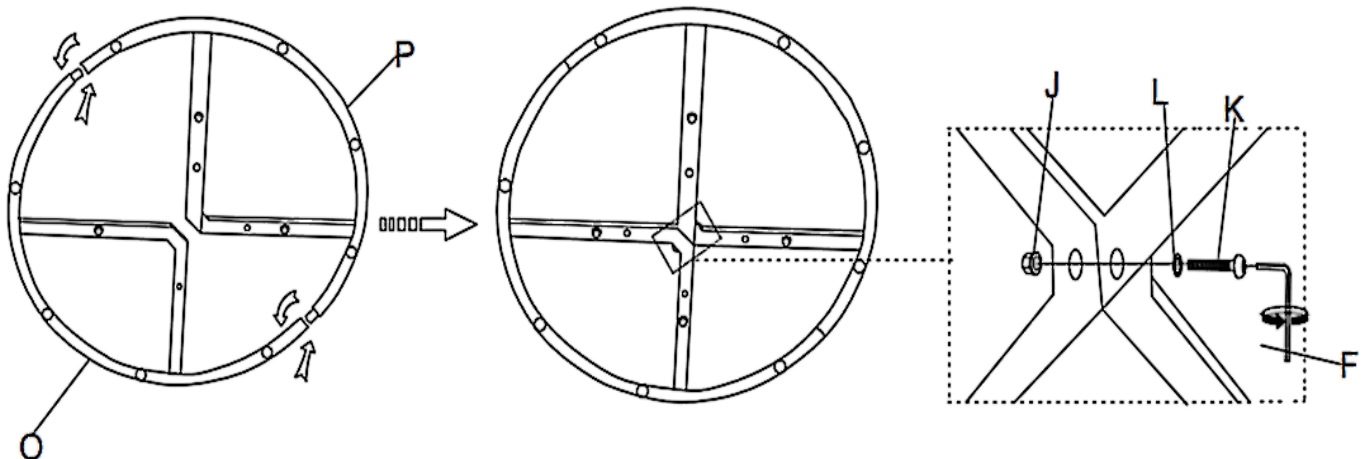
## Step 3:

Align the hardware (F&H) with the bottom hole of the square plate (N) and install it. The JD engraved on the surface should be confirmed to be sturdy before use



## Step 4:

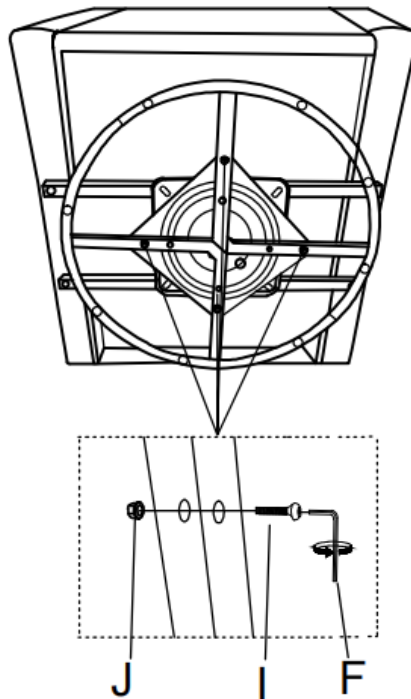
First, fasten the turntable (O&P) up and down, then align the holes with the hardware (F&K&L&J) and lock them securely before use



# 3 ACCENT CHAIR ASSEMBLY - BODY SETUP

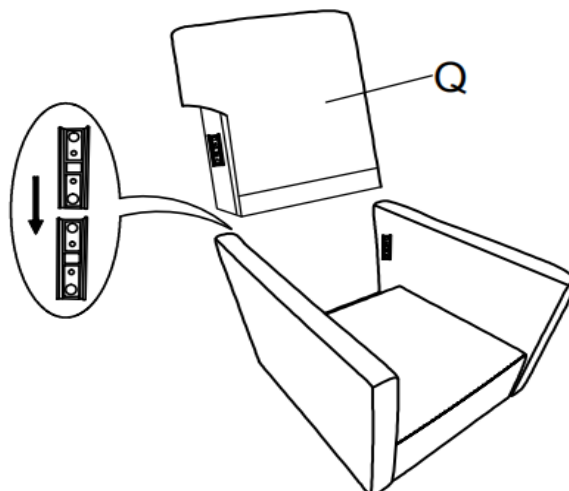
## Step 5:

Install the locked turntable on the square plate, and then align the holes with the hardware (F&I&J) to lock it in place. (Rotate the turntable once before aligning the holes) Ensure it is secure before use.



## Step 6 :

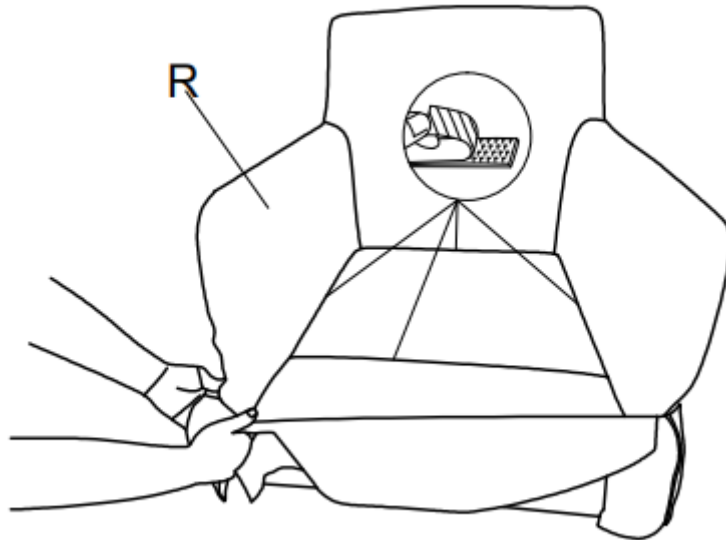
Align the metal grooves as shown in the figure Connect the **backrest (Q)** to the **seat (A)** through the following methods



# 4 ACCENT CHAIR ASSEMBLY - BODY SETUP

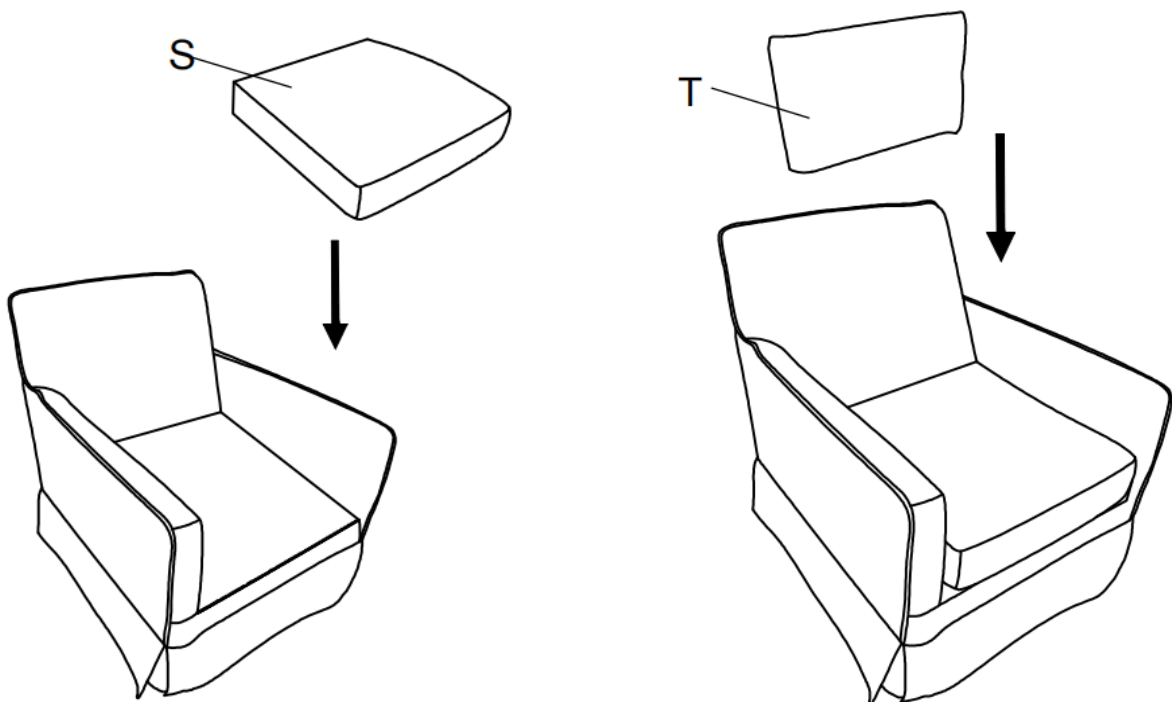
## Step 7 :

As shown in the picture, place the sewing sleeve (R) on the sofa, flatten it, and pay attention to the position of the Velcro



## Step8 :

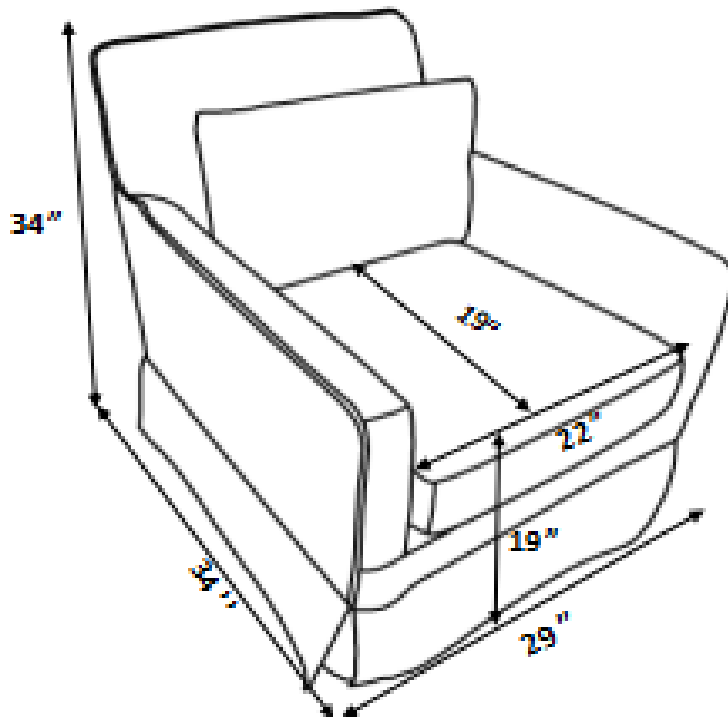
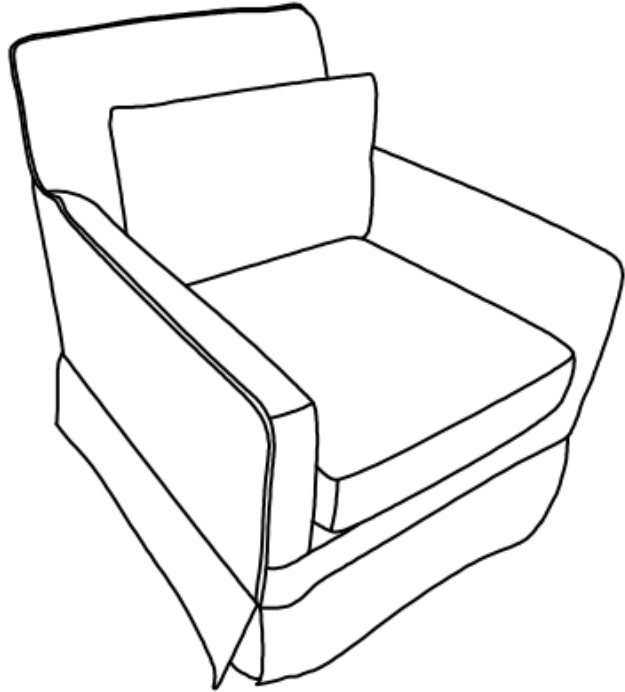
Place the cushion bag and backpack (S&T) on the sofa



# 5

## ACCENT CHAIR ASSEMBLY - BODY SETUP

ASSEMBLY COMPLETED



Accent Chair

# ⚠️ WARNINGS

1. Please check if the components of the chair are all included and can be used normally.
2. Ensure all components are assembled correctly according to the instructions before connecting the chair to the power.
3. Please DO NOT sit on the armrests or footrests to eliminate the risk of tipping over.
4. If the chair is damaged or doesn't match the website description, please send clear pictures of the product and label of the carton to our service team for further help.

