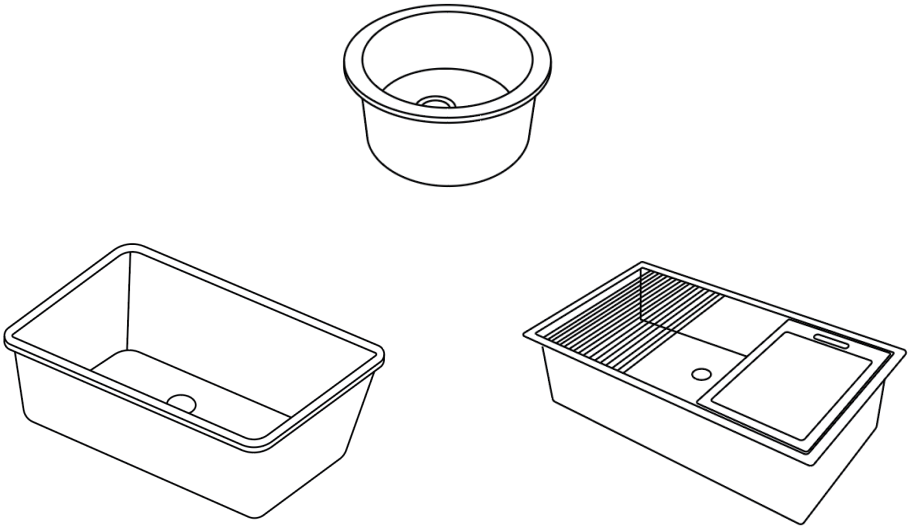




LOS FLEXI
CRAFTING YOUR HOME STORY



Drop-In Kitchen Sink

INSTALLATION & CARE GUIDE

cs@losflexi.com

www.losflexi.com

(+1) 662-502-5099

PRIOR TO INSTALLATION

GET READY TO SPICE UP YOUR KITCHEN!
SETTING UP YOUR CHARMING KITCHEN SINK

Hello Kitchen Wizard!

We're over the moon to see you dive into the delightful adventure of jazzing up your kitchen with our kitchen sink. Welcome to the Los Flexi family - where kitchen dreams come true! We're here to make sure your sink installation is as silky smooth as a gourmet chocolate ganache.

As you gear up, here's a sprinkle of wisdom to ensure a perfect installation:

- When your shiny new sink lands at your doorstep, give it a good once-over. We're all about perfection and want to make sure it arrives looking spick-and-span.
- Stick to those plumbing and building codes, just like a recipe! They're crucial for a safe, by-the-book setup.
- Some extra prep might be on the menu to make sure your sink fits and stays as safe as a cookie in a jar.
- We recommend not to using laminate countertops - it's all about keeping your kitchen's style and sturdiness on point. Our sink dimensions are like approximate baking times - always good to double-check. Ensure your cabinet space is just right to avoid any "Oops!" moments.
- Not a DIY guru? No worries! Sometimes it's best to call in the professional installers. Remember, Los Flexi's not on the hook for any installation oopsies.

Installation Insights

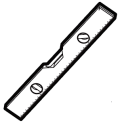
- Your cabinet needs to be as stable and level as a master chef's hand. It's all about giving your sink a solid throne.
- Choose your screws wisely - too long and they might crash the cabinet party next door, too short and they won't hold the fort.

Ready to turn your kitchen into the hottest spot in your house? We're just an email away at cs@losflexi.com if you hit a pickle. We're super excited for you to bask in the glory of your new kitchen sink.

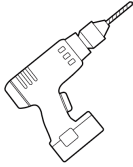
Happy installing, and here's to a fabulous kitchen transformation!

Kitchen Sink Regards,
The Los Flexi Team

TOOLS AND MATERIALS REQUIRED (not supplied)



Level



Drill



Pencil



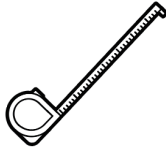
Screwdrivers



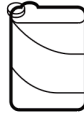
Adhesive



Jig Saw/
Hacksaw



Tape Measure



Acetone



Shims



Painter's Tape



Cut-Resistant Gloves



Safety Glasses

PACKAGE INCLUDED

- Kitchen Sink
- Stainless Steel Bottom Grid
- Stainless Steel Kitchen Sink Drain Strainer

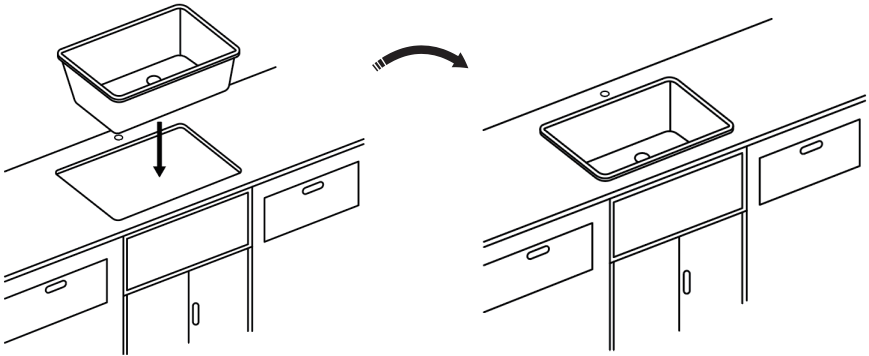
NOTE: The package contents may vary depending on the product model.
For detailed information, please refer to the specific model on losflexi.com.

INSTALLATION STEPS

1. Sink Dry Fitting

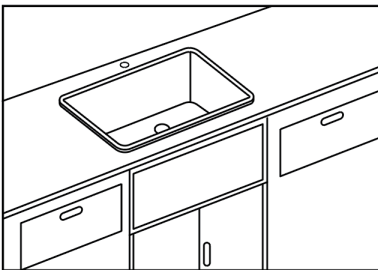
- Drop the sink into the designated spot on the countertop to ensure it fits properly. If it doesn't fit, use a jigsaw to trim the countertop for a proper fit.

NOTE: Please wear safety glasses and cut-resistant gloves to protect yourself.

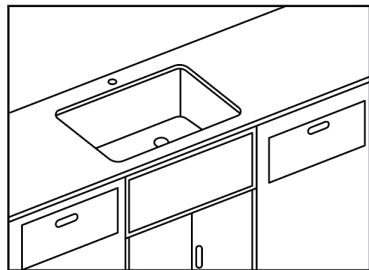


2. Mounting the Sink

Los Flexi drop-in kitchen sinks typically are available in two installation methods, as shown below. The appropriate method varies by model.



Drop-in Installation

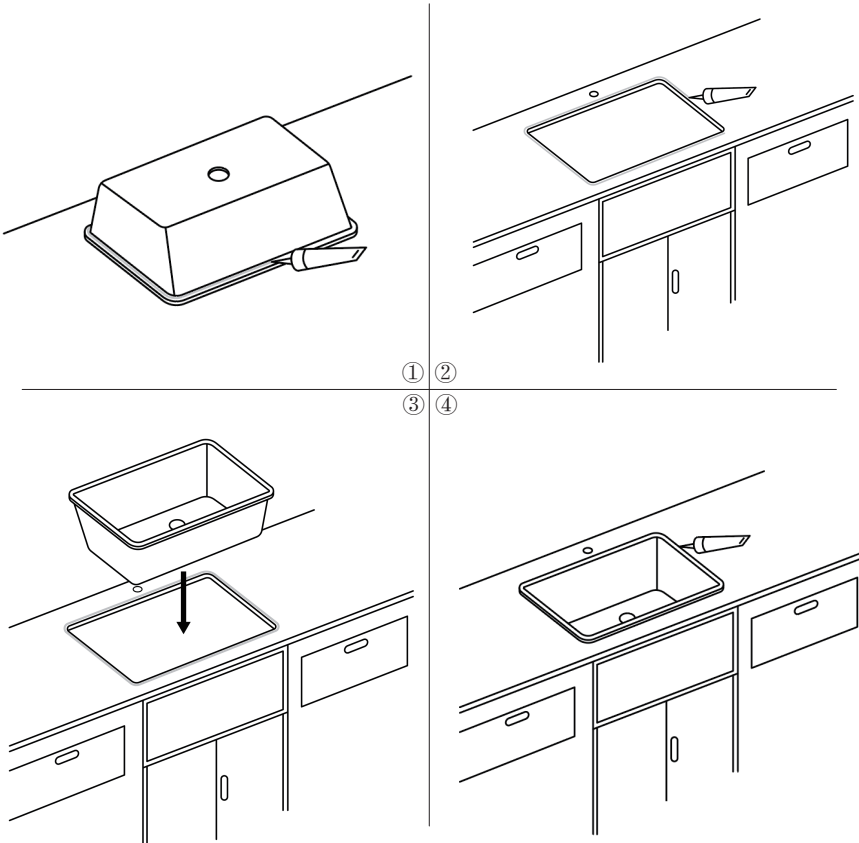


Undermount Installation

NOTE: Determine the preferred installation method and, if necessary, use support brackets (Not Included) to secure the sink after completing the installation.

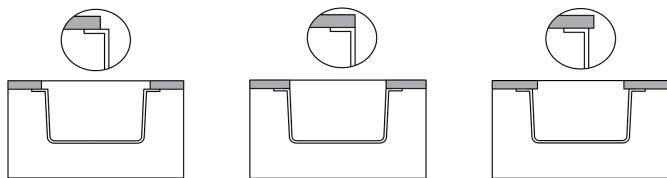
Drop-in Installation

- Apply a bead of silicone around the edge of the sink.
- Carefully lower the sink to the place.
- Added another bead of silicone along the edge to make sure it is sealed.

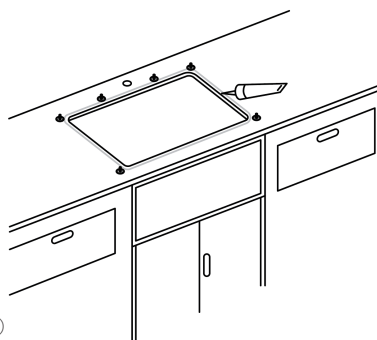
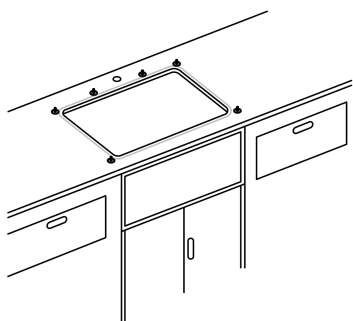


Undermount Installation

TIP: Please determine the reveal type before starting.



- Place anchoring posts of the undermount sink clips (Not included). Use epoxy to stick them to the countertop.
- Apply silicone within the traced sink rim area or the underside of the countertop.

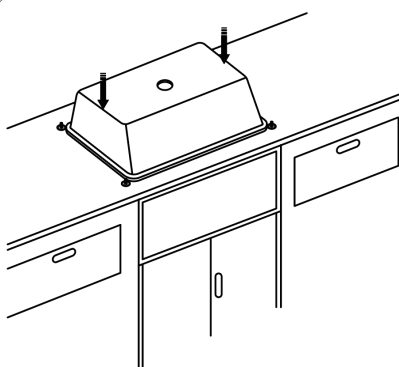
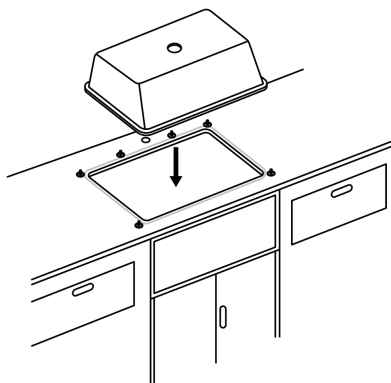


① ②

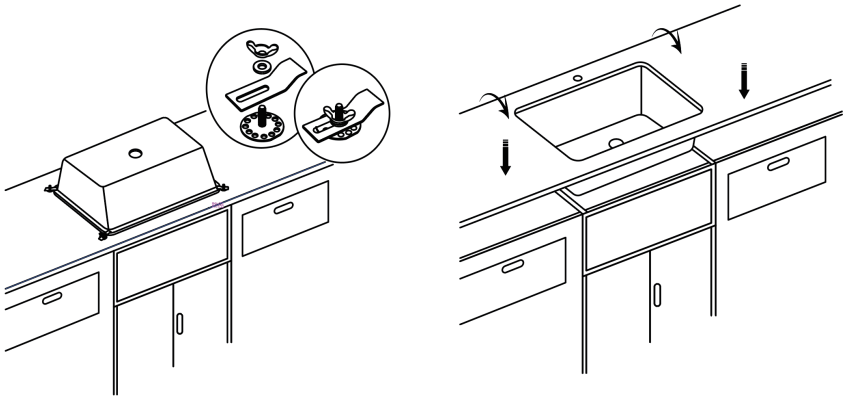
Note:

Please ensure the operation area is on the reverse side of the countertop.

③ ④

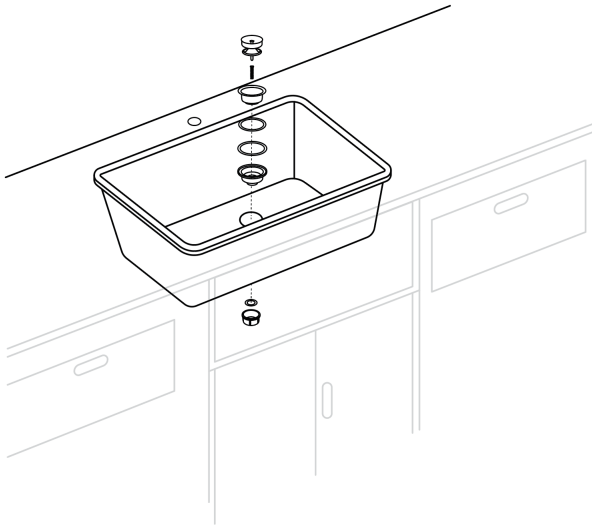


- Attach the undermount sink clips. Wait about one hour for the caulk to set.
- Flip the countertop for the final placement.

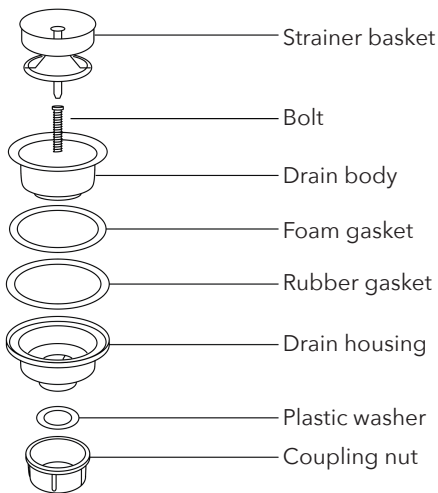


3. Attach Strainer

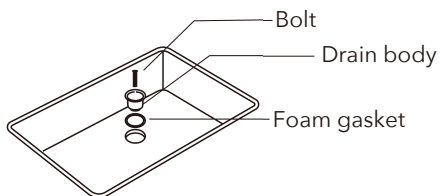
- Attach the strainer to the sink.



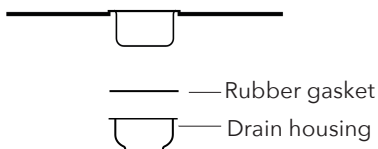
- Take out the strainer from the box and unscrew the bolt on the drain body before installing.



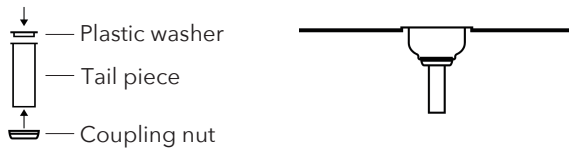
- Place drain body and foam gasket into the drain opening of the sink, then insert the bolt into the drain body.



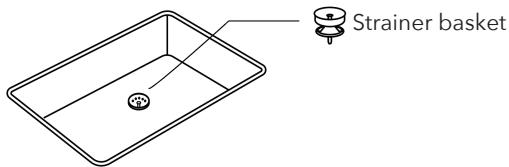
- From the underside of the sink, slide the rubber gasket and drain housing over the bolt. Use a screwdriver to tighten the bolt from the top.



- Place the plastic washer inside of the tailpiece (not included). Slide the coupling nut over the tailpiece and thread it onto the drain housing until tight.



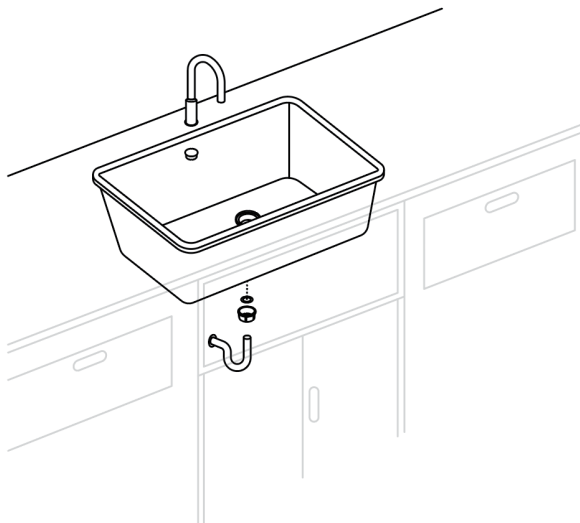
- Place the strainer basket into the drain body.



4. Plumbing

- Attach the plumbing, pipes, and faucets. After completion, check for any leaks.

NOTE: DO NOT overtighten the screws.



PRODUCT CLEANING & CARE

- **Regular Cleaning:** Clean your sink regularly using mild dish soap or detergent and warm water. Use a soft cloth for cleaning and rinse thoroughly afterward. Dry the sink with a soft cloth to prevent water spots.
- **Non-Abrasive Approach:** Avoid using harsh abrasives, caustic cleaners, scouring pads, or steel wool on your sink. These can damage the surface and cause discoloration. Instead, opt for gentle cleaning methods.
- **Avoid Stains:** Keep coffee grounds, tea bags, and similar staining materials off the fireclay surface to prevent stains. If contact occurs, clean promptly.
- **Protect From Heat:** Never place hot pans or baking sheets directly from the stove or oven into the sink. Use a trivet or rolling mat to shield the sink from extreme temperatures and prevent heat damage.
- **Stain Removal:** For tougher stains, use a 50/50 mix of water and bleach or vinegar, or a non-abrasive cleaner.
- **Preventative Maintenance:** Keep the sink free from standing water to prevent mineral buildup. Clean any mineral deposits with a mild vinegar and water solution.
- **Proper Installation And Care:** Ensure your sink is correctly installed and consult a professional if necessary. Regularly inspect the sink for any damage and address it promptly to maintain its condition.

IMPORTANT CONSUMER INFORMATION

Consumer Responsibilities For Kitchen Sink Maintenance

- In areas with hard water, regularly clean the sink to prevent mineral buildup, particularly around the drain and faucet areas.
- Clean your kitchen sink weekly using non-abrasive cleaners to maintain its appearance and hygiene.
- Use soft-bristled brushes for thorough cleaning, especially in corners and around the drain to avoid deposit accumulation.
- Most non-abrasive cleaners are safe for your sink. Always follow specific instructions provided with the cleaning agents.

WARNING

- DO NOT use abrasive cleaners or harsh chemicals as they can damage the sink's surface.
- Avoid exposing the sink to extreme heat, as it may cause damage. Los Flexi is not liable for any heat-related damage.
- DO NOT dispose of materials like food waste, paper towels, or large debris in the sink to prevent clogs.
- Avoid hitting or dropping heavy objects on the sink to prevent cracks or chips.

TROUBLESHOOTING GUIDE

Water Leakage

- Examine the area under the sink for any signs of water or dampness. Pay special attention to the connections and joints.
- Use a dry cloth or paper towel to wipe around the base of the faucet, drain, and pipes. Any wetness on the cloth indicates a possible leak.
- Turn off all sources of noise and listen carefully for any dripping sounds coming from the faucet or pipes.
- Fill the sink with water, then release the drain. As the water drains, observe for any leaks from the drain pipes underneath.
- Look at the seals around the faucet and sink. Any cracks, wear, or gaps could be sources of leaks.

Clogged Drains

- First, attempt to manually remove any visible obstruction by reaching into the drain.
- If manual removal is unsuccessful, use a chemical drain cleaner designed to dissolve blockages. Note that results may vary.
- Employ a plunger to try and dislodge the clog through suction. If the clog persists, it may be necessary to call a plumber for expert assistance.

Stains And Discoloration

- Regularly clean with non-abrasive cleaners.
- For persistent stains, apply a baking soda or white vinegar, let it sit, then use a dishcloth to scrub gently.

Chips Or Cracks In Sink

- Reach us via E-mail or telephone to change a new one in the warranty limitation.
- Use a porcelain repair kit for small damages.
- Seek professional repair for larger cracks or chips.

Fitting And Installation Issues

- It is recommended to seek help from professionals when customers are new to remodeling.
- Verify sink dimensions and adjust cabinet or countertop as needed.
- Use shims for level fitting and seal gaps when adjusting it to level.

LIMITED WARRANTY COVERAGE

TWO YEAR LIMITED WARRANTY

Los Flexi products are crafted with superior materials and impeccable workmanship, offering our customers reliable and long-lasting products. If defects in materials or craftsmanship are detected under standard use within the first two years of installation, Los Flexi will either supply replacement parts at no charge or, if deemed necessary, replace the product or its parts.

This warranty is exclusive to the original purchaser, and proof of purchase is mandatory for any claim.

This Warranty Will Be Voided If:

- The product was not installed in accordance with our recommendations.
- The product was relocated from its initial installation site.
- The product underwent any modifications from its original condition.
- The product suffered from neglect, misuse, chemical overuse, accidents, or any other damages.

Los Flexi does not imply that our products adhere to local building or plumbing codes. Consumers must ascertain local code compliance before and during installation. This warranty is strictly for the original purchaser and first consumer.

Los Flexi won't be held responsible for any consequential damages linked to the product's installation, replacement, return, or usage. This includes, but is not limited to, freight charges, labor, downtime, home damages, and other associated costs (e.g., professional services, investigations, audits, legal fees). This Los Flexi warranty clearly delineates our liability. Items not specified in this warranty fall outside Los Flexi's responsibility. In states with variations concerning implied warranties, our compliance is ensured.

For any questions or concerns, feel free to reach out to us at

Email: cs@losflexi.com
Phone: (+1) 662-502-5099
Site: www.losflexi.com