

# Cabinet

Assembly Instruction - Please keep properly for future reference.

If you find any missing boxes, damaged parts, or accessory shortages, please contact the customer service team of your purchasing channel immediately. We will resolve the issue as quickly as possible.



## Dimensions

Width - 47.8 inch  
Depth - 21.7 inch  
Height - 33.3 inch

EN

## THE FOLLOWING INFORMATION:

- Order number
- Purchase platform
- Purchase date
- Detailed description of the issue along with photos (if applicable)

**Important** - Please read these instructions carefully before starting the installation.



# Safety and Care Advice

**Important – Please read these instructions fully before starting assembly**

- Check you have all the components and tools listed on the following pages.
- Remove all fittings from the plastic bags and separate them into their groups.
- Keep children and animals away from the work area, small parts could choke if swallowed.
- Make sure you have enough space to layout the parts before starting.

- During assembly do not stand or put weight on the product, this could cause damage.
- Assemble the item as close to its final position (in the same room) as possible.
- Assemble on a soft level surface to avoid damaging the unit or your floor.
- Parts of the assembly will be easier with 2 people.



- To reduce the likelihood of damaging your product please ensure that your power drill is set on a low torque setting.

## Care and maintenance

- Only clean using a damp cloth and mild detergent, do not use bleach or abrasive cleaners.
- From time to time check that there are no loose screws on this unit.
- This product should not be discarded with household waste. Take to your local authority waste disposal centre.

## Handy Hints

- Assemble all parts and bolts loosely during assembly, only once the product is complete should you fully tighten the bolts
- Regularly check and ensure That all bolts and fittings are tightened properly.

## **WARNING**

**In order to help prevent overturning – please follow these instructions**

To help prevent product toppling over please follow the below steps:

Use the anti tip strap or wall fixing method provided (if applicable)  
Do not allow children to climb or hang on the furniture  
Do not open more than one drawer at a time  
Do not place heavy items in the top drawers  
Do not place heavy items on top of the furniture, unless the furniture has been designed for this purpose

Please note that only the anti tip strap is provided.  
You will need to provide wall plugs and screws applicable for your wall type

# CUSTOMER SERVICE GUIDE

Thank you for choosing our product! We are committed to providing you with excellent service. If you find any missing parts, damaged packaging, or product damage after receiving all packages, please follow the steps below to quickly contact our customer service team. We will do our best to resolve your issue.

## 1. Missing Parts

### Verify Parts:

1. Refer to the “Parts List” in the manual to verify the name, specifications, and quantity of the missing parts.
2. Take a clear photo of the parts list and mark the missing parts with detailed information, e.g., “Missing 5 pieces of M6x30mm screws.”

### Contact Us:

- A description of the missing parts and a photo of the parts list.
- Order details (order number, purchase platform, purchase date).

## 2. Product or Packaging Damage

### If it affects normal use:

#### Steps:

Take clear photos or videos showing the damaged parts and the extent of the damage (multi-angle shots are recommended).

#### Resolution:

After verification, we will arrange for a replacement part, product exchange, or refund as quickly as possible.

### If it does not affect normal use:

#### Steps:

Provide a description of the damage and include relevant photos or videos.

#### Resolution:

We will provide repair guidance or an appropriate compensation plan based on the specific situation.

## Helpful Tips

To process your issue efficiently, please prepare the following information:



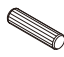

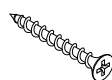



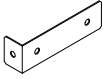

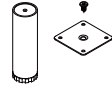
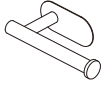
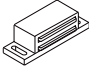
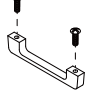

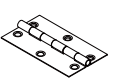

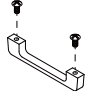


- Order details (order number, purchase platform, purchase date).
- Clear photos or videos.
- We are committed to providing quick and professional solutions, no matter the size of the issue, to ensure your satisfaction.

Thank you for your trust and support! We hope you enjoy using our product!

# Parts List - Fittings

Please check you have all the fittings listed below

**Note:** The quantities below are the correct amount to complete the assembly. In some cases more fittings may be supplied than are required.

<b>A</b>  Cam Bolt x 45	<b>B</b>  Cam Lock x 45	<b>C</b>  Wooden Dowel x 34
<b>D</b>  3.5*14mm Screw x 52	<b>E</b>  5*40mm Screw x 33	<b>F</b>  4*14mm Screw x 10
<b>G</b>  5*50mm Screw x 10	<b>H</b>  4*12mm Screw x 8	<b>I</b>  Right angle bracket x 2
<b>J</b>  Protective Foot x 4	<b>K</b>  Adjustable Foot(Hx125mm) x 1	<b>L</b>  Toilet paper holder x 1
<b>M</b>  Door Stopper x 1	<b>N</b>  Handle & Fixings x 2	<b>O</b>  Metal Plate x 2
<b>P</b>  Hinges x 4	<b>Q</b>  5*60mm Screw x 2	<b>R</b>  Handle & Fixings x 4
<b>S</b>  Wall Fixing Pack x 3	<b>T</b>  Drawer Slide x 8	

## Tools required



Phillips screwdriver  
(medium & large)

Ruler - Use this ruler to help correctly identify the screws

mm

0 5 10 15 20 25 30 35 40 45 50 55 60 65 70 75 80 85 90 95 100 105 110 115 120 125 130 135 140 145 150 155 160 165 170



The screws length is measured from the head to the point (30mm screw shown).

0 1 2 3

inch

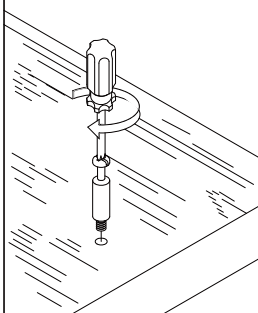
# Using Camlocks

## Step 1

Connect the male camlock as directed in the assembly instructions using a screwdriver.

1

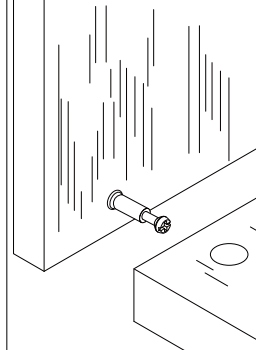
DO NOT OVER TIGHTEN.



## Step 2

Push the male camlock into the entry hole.

2

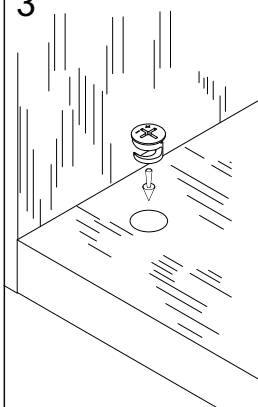


## Step 3

Insert the female camlock as shown in the instructions.

Note: ensure that the arrow on the top of the camlock points towards the entry hole for the male camlock.

3



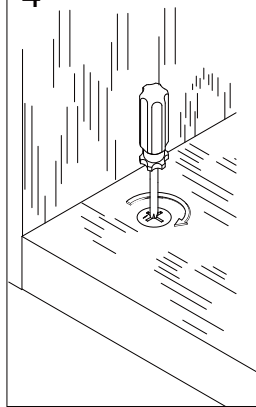
## Step 4

Turn the female camlock clockwise with a screwdriver.

You should feel a click when the camlock is locked in place.

The joint is now secure.

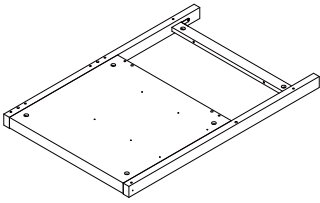
4



# Parts List - Panels

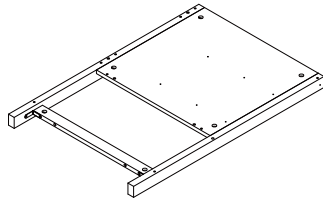
Please check you have all the panels listed below

1



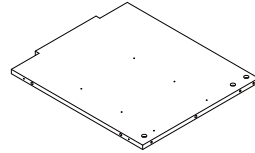
(55.2 x 84 x 4.2cm) x1

2



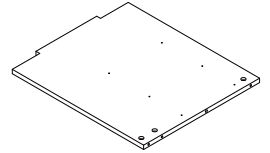
(55.2 x 84 x 4.2cm) x1

3



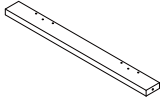
(53.6 x 45.9 x 1.5cm) x1

4



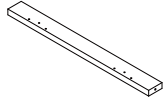
(53.6 x 45.9 x 1.5cm) x1

5



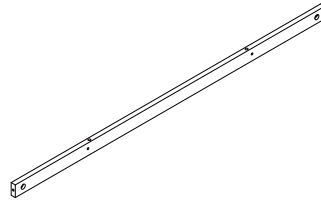
(42 x 4 x 1.5cm) x1

6



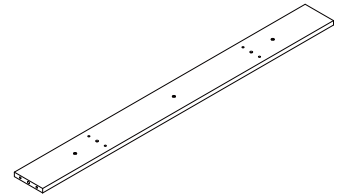
(42 x 4 x 1.5cm) x1

7



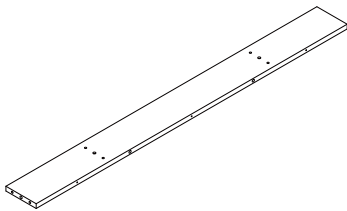
(113 x 4 x 1.5cm) x1

8



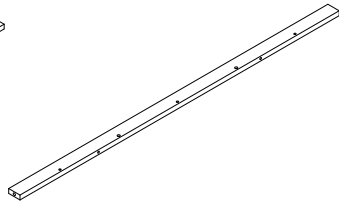
(113 x 11 x 1.5cm) x1

9



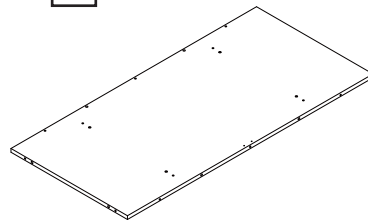
(113 x 11 x 1.5cm) x1

10



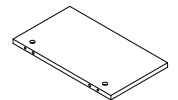
(113 x 4 x 1.5cm) x1

11



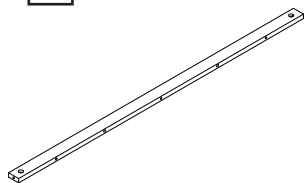
(113 x 53.6 x 1.5cm) x1

12



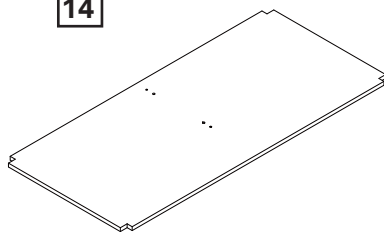
(39 x 22.5 x 1.5cm) x1

13



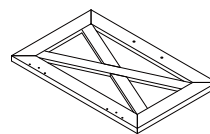
(113 x 4 x 1.5cm) x2

14



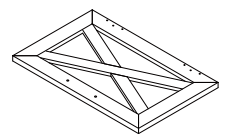
(119x 55 x 1.5cm) x1

15



(41.4 x 26.3 x 1.5cm) x1

16

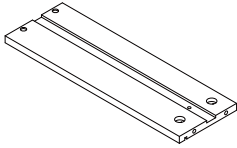


(41.4 x 26.3 x 1.5cm) x1

# Parts List - Panels

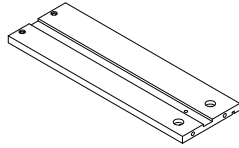
Please check you have all the panels listed below

17



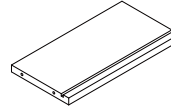
(35 x 11.5 x 1.2cm) x4

18



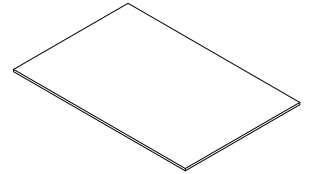
(35 x 11.5 x 1.2cm) x4

19



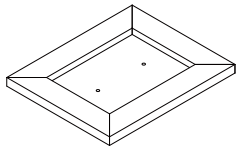
(21.8 x 11.5 x 1.2cm) x4

20



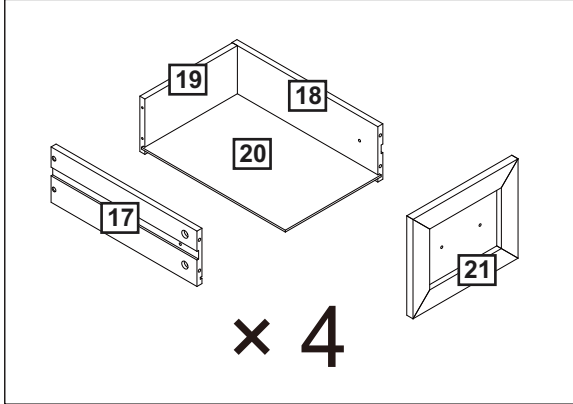
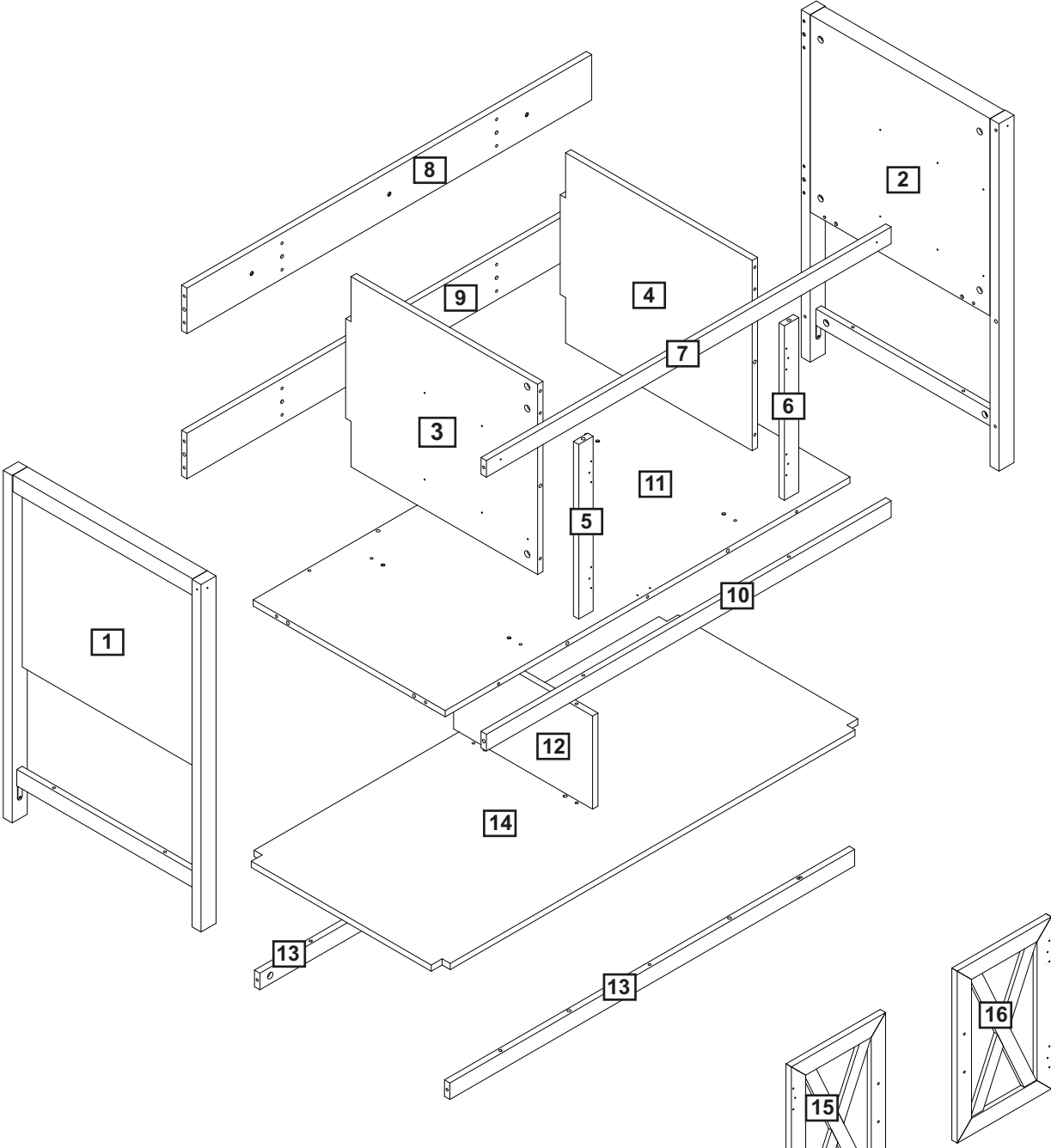
(34.5 x 22.6 x 0.27cm) x4

21



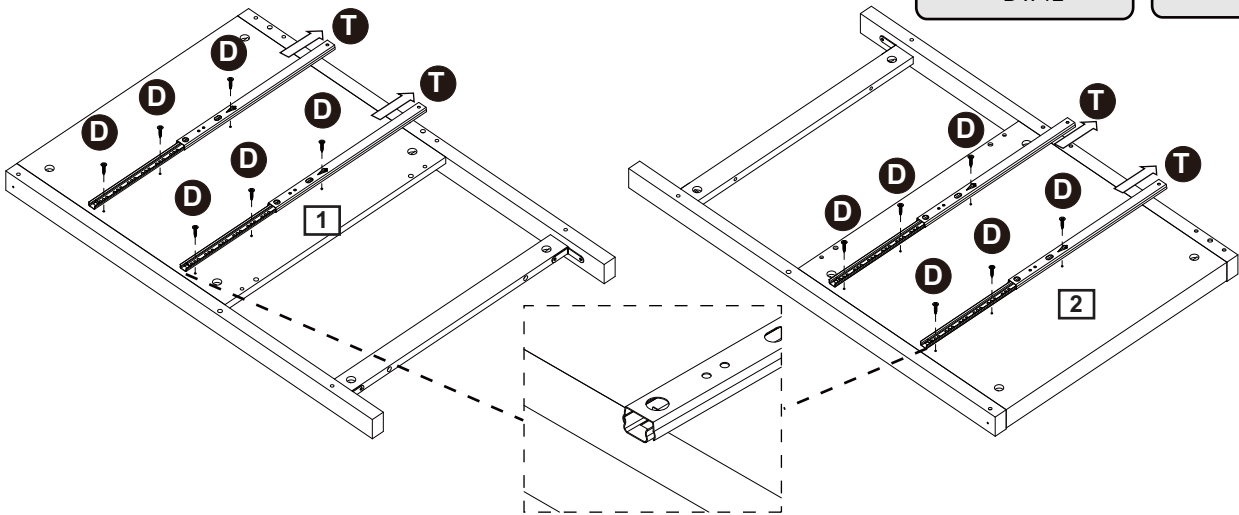
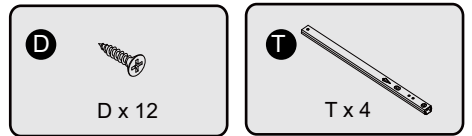
(25.2 x 20.5 x 1.5cm) x4


# Assembly Instructions

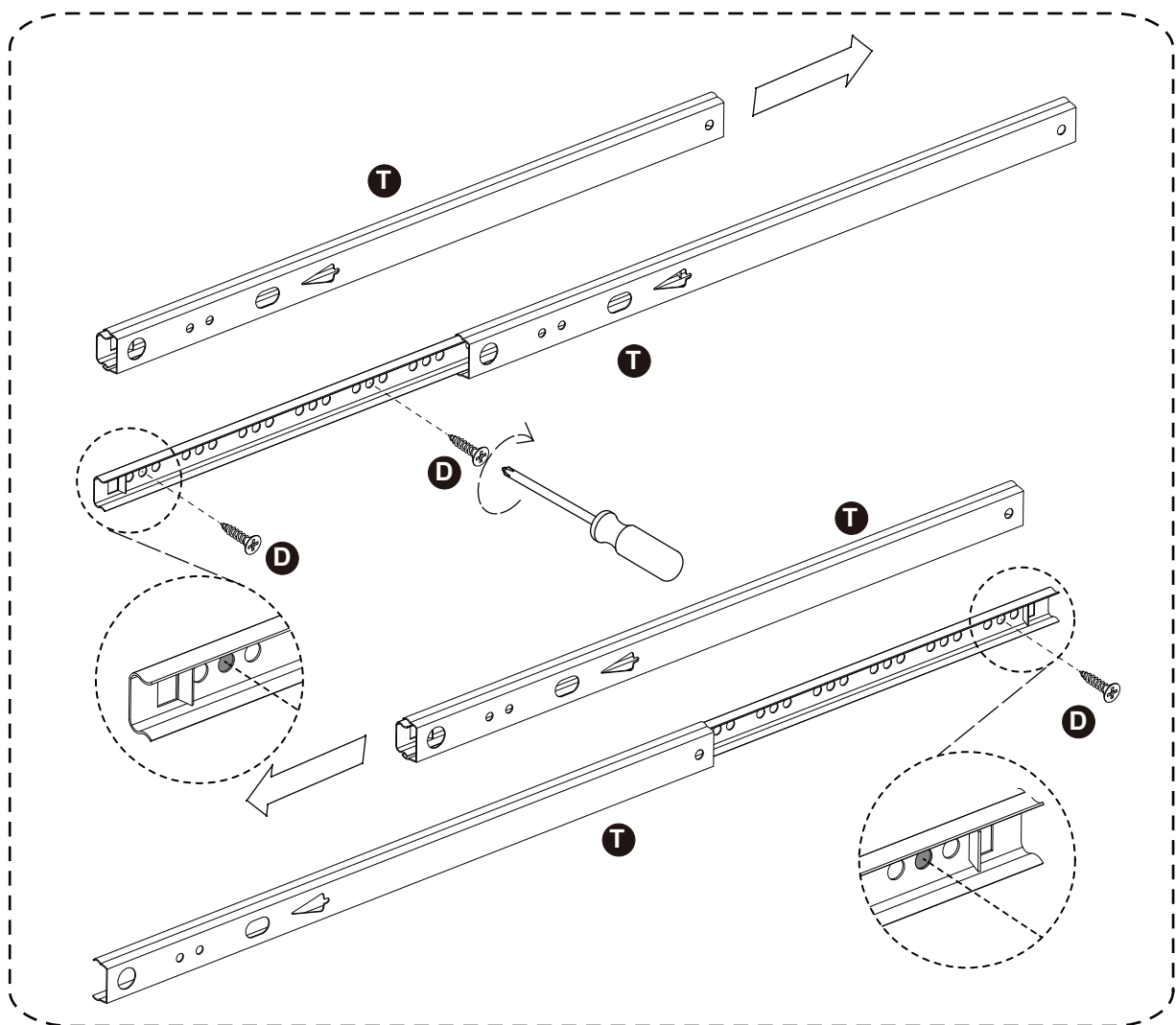


# Assembly Instructions

## Step 1



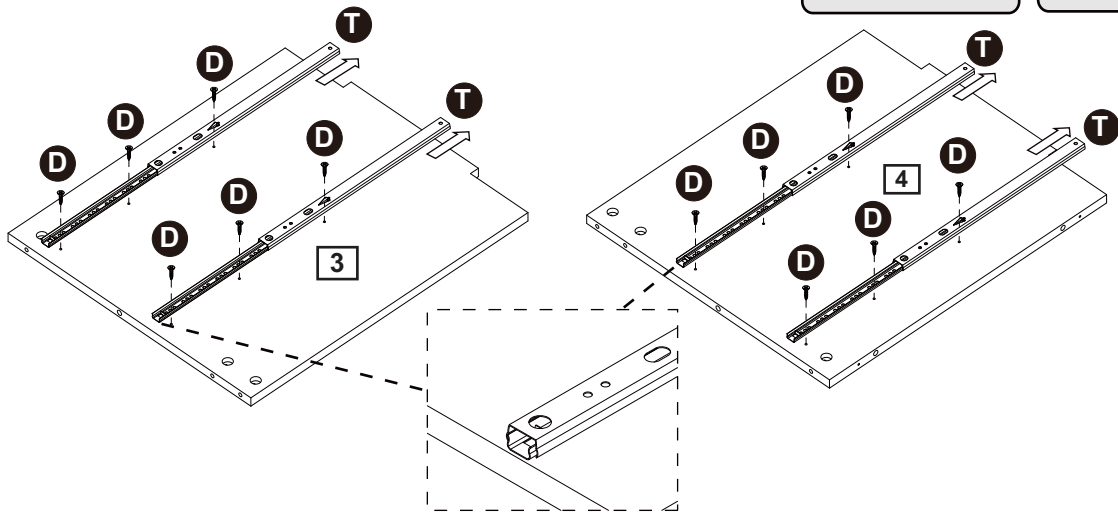
 Note: Please pay attention to the direction of the drawer slides.



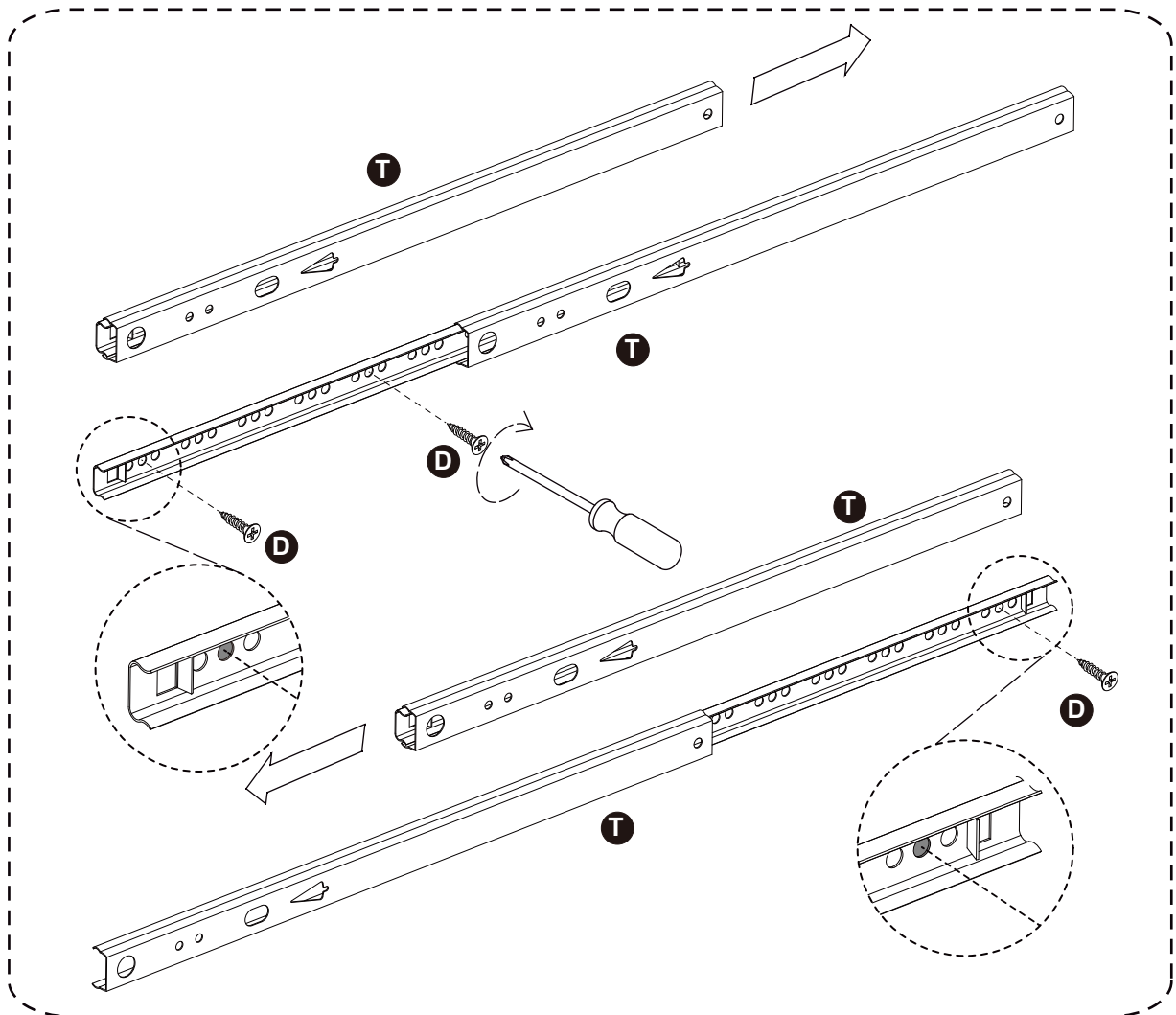
Attach drawer slide (T) to part (1, 2) using screw (D) with a screwdriver.

# Assembly Instructions

## Step 2



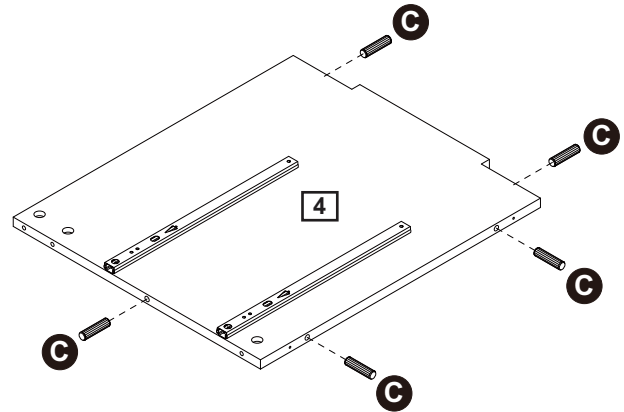
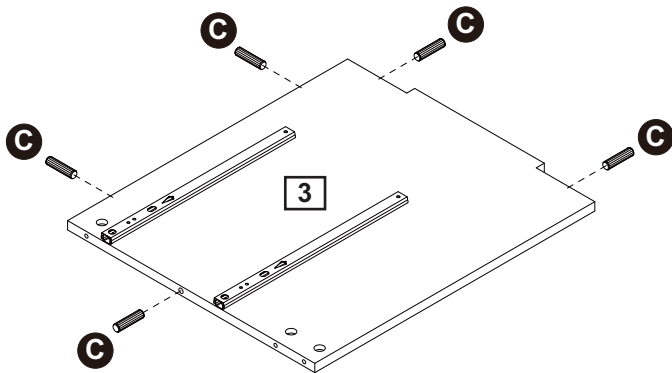
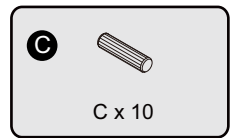
**!** Note: Please pay attention to the direction of the drawer slides.



Attach drawer slide (T) to part (3, 4) using screw (D) with a screwdriver.

# Assembly Instructions

## Step 3

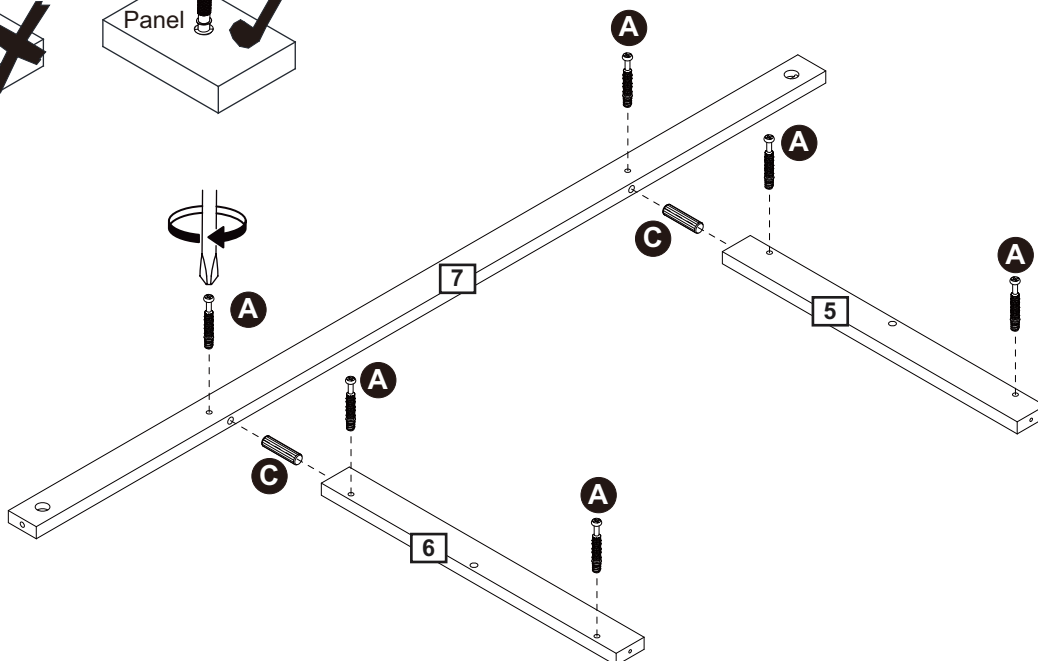
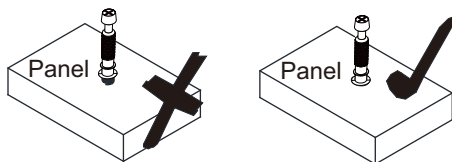
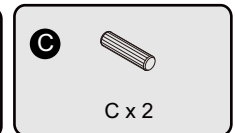
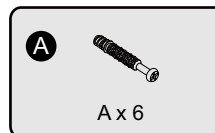


Insert wooden dowel (C) into part (3, 4).

## Step 4

### CAM-LOCK

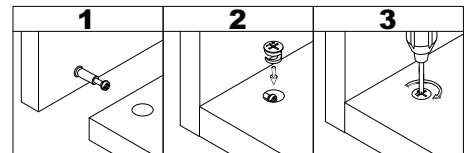
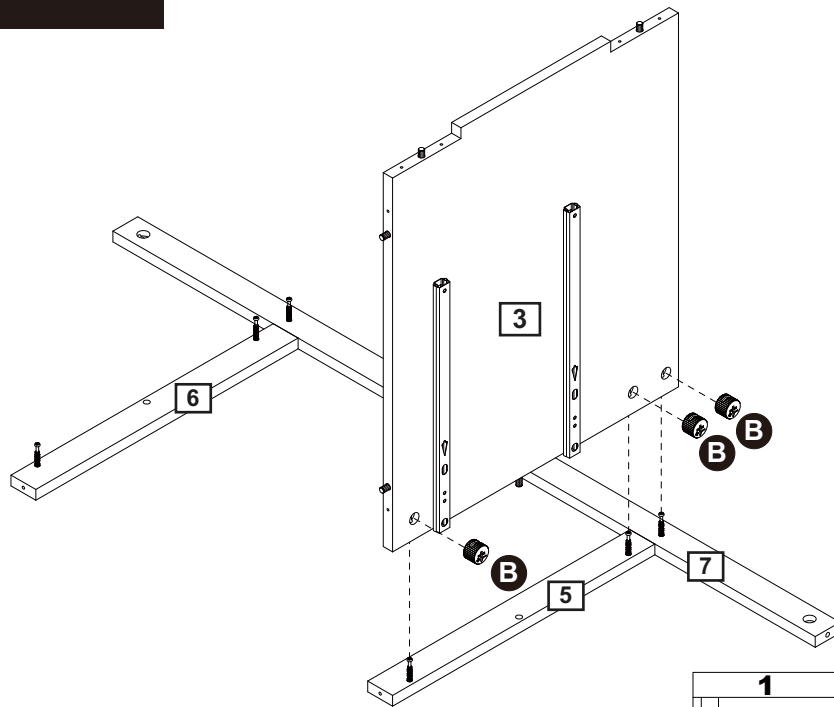
Tighten until shoulder is flush with panel. Do not overtighten or undertighten (see example below)



Attach cam bolt (A) to part (5, 6, 7) with a screwdriver.  
Insert wooden dowel (C) into part (7), then attach part (5, 6) to part (7).

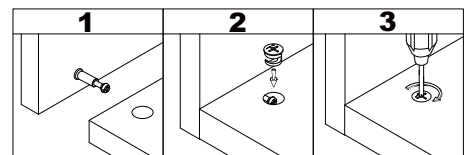
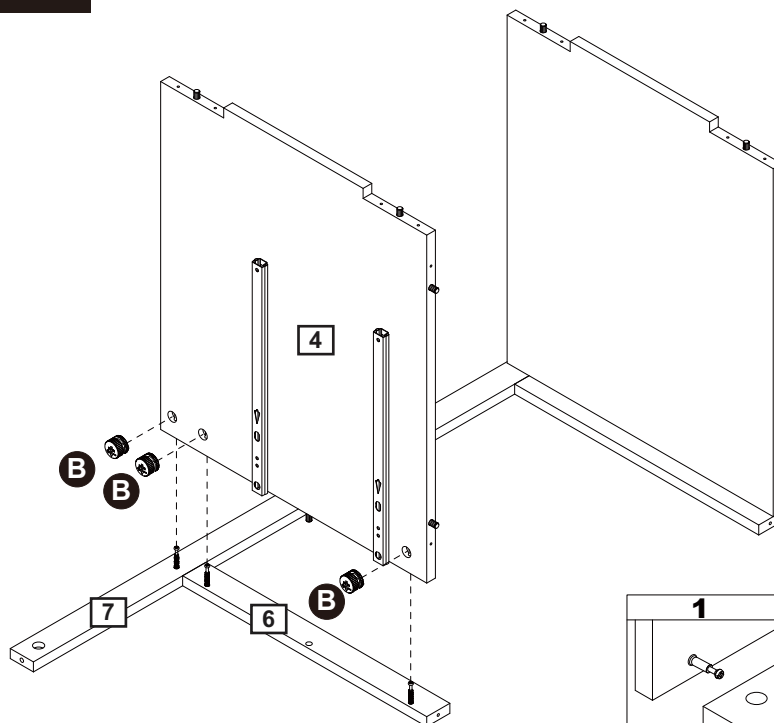
# Assembly Instructions

## Step 5



Attach part (3) to part (5, 7), then insert and secure cam lock (B) to part (3) to lock it.

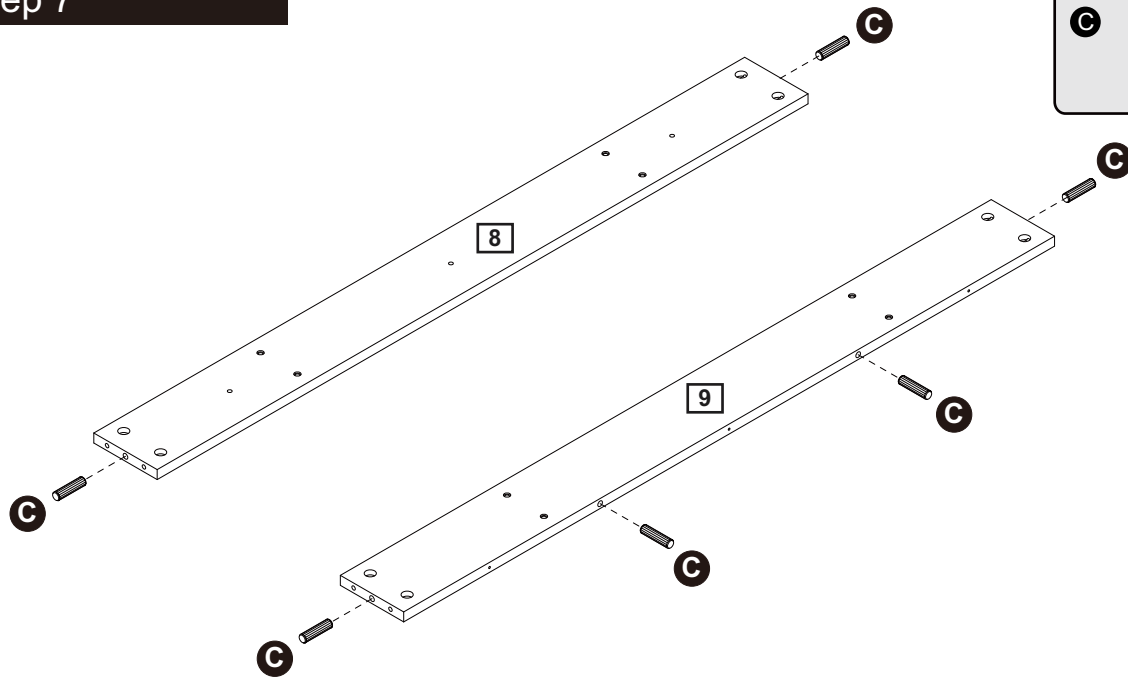
## Step 6



Attach part (4) to part (6, 7), then insert and secure cam lock (B) to part (4) to lock it.

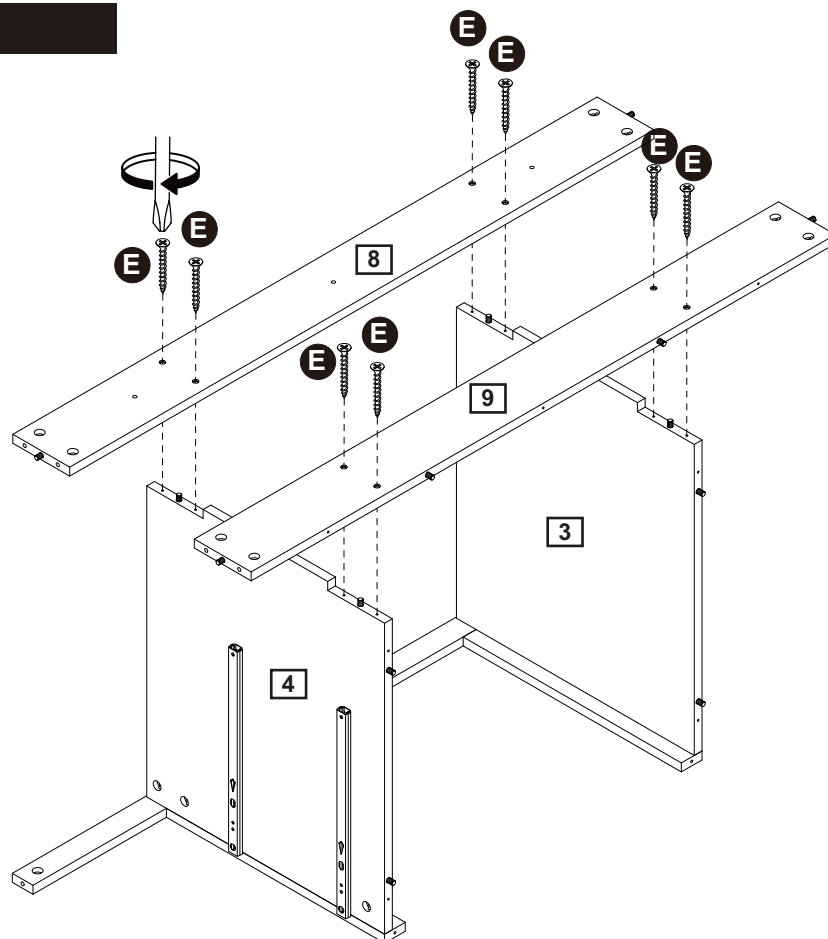
# Assembly Instructions

## Step 7



Insert wooden dowel (C) into part (8, 9).

## Step 8



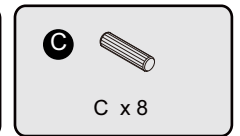
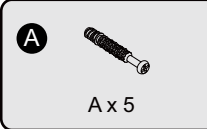
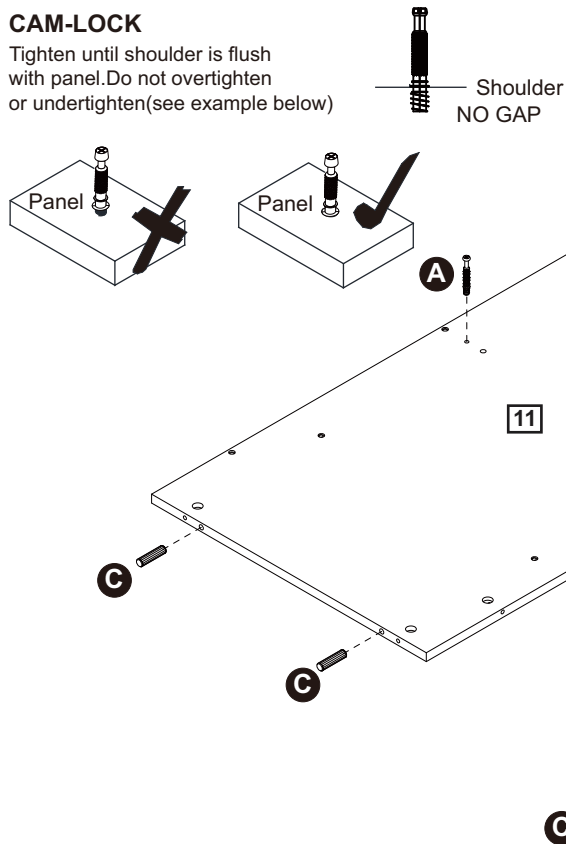
Attach part (8, 9) to part (3, 4) using screw (E) with a screwdriver.

# Assembly Instructions

## Step 9

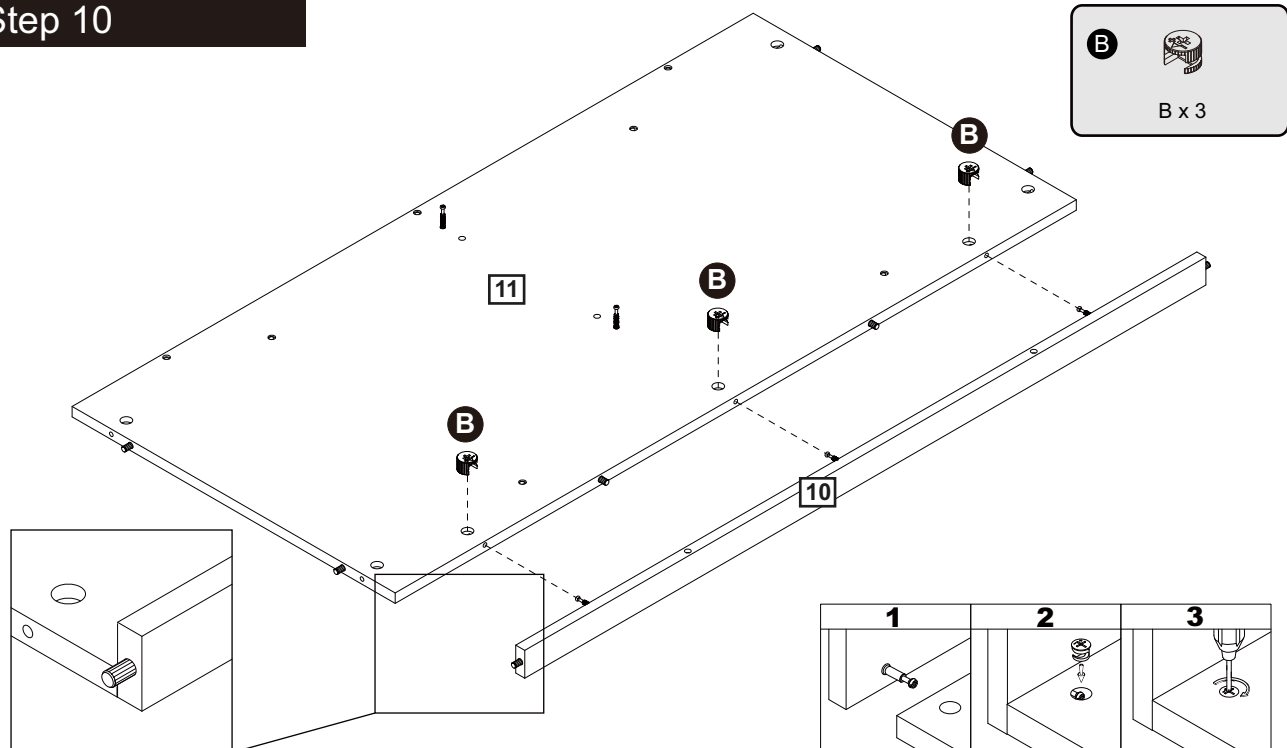
### CAM-LOCK

Tighten until shoulder is flush with panel. Do not overtighten or undertighten (see example below)



Attach cam bolt (A) to part (10, 11) with a screwdriver.  
Insert wooden dowel (C) into part (10, 11).

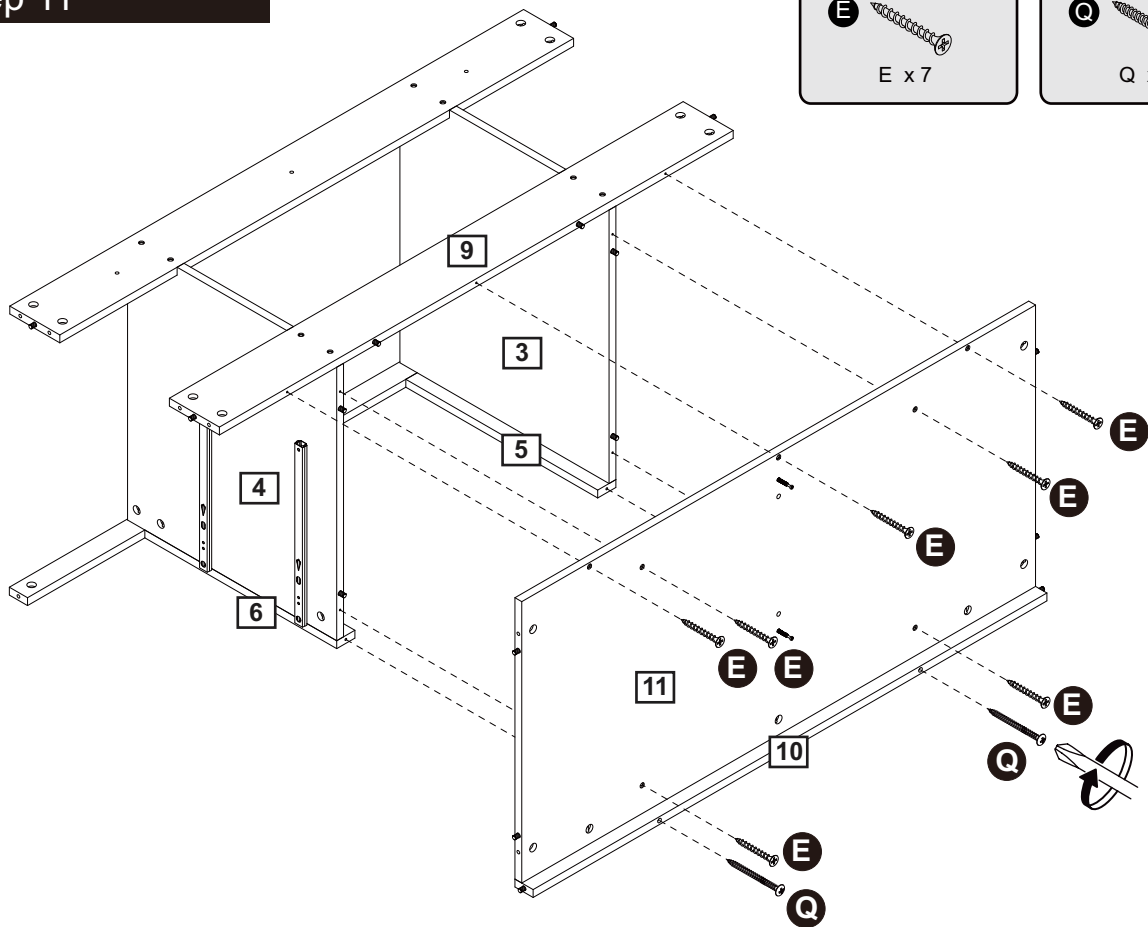
## Step 10



Attach part (10) to part (11), then insert and secure cam lock (B) to part (11) to lock it.

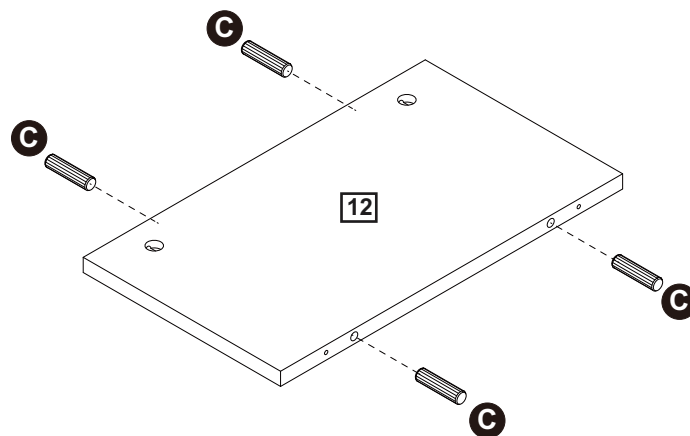
# Assembly Instructions

## Step 11



Attach part (11) to part (3, 4, 9) using screw (E) with a screwdriver.  
Attach part (10) to part (5, 6) using screw (Q) with a screwdriver.

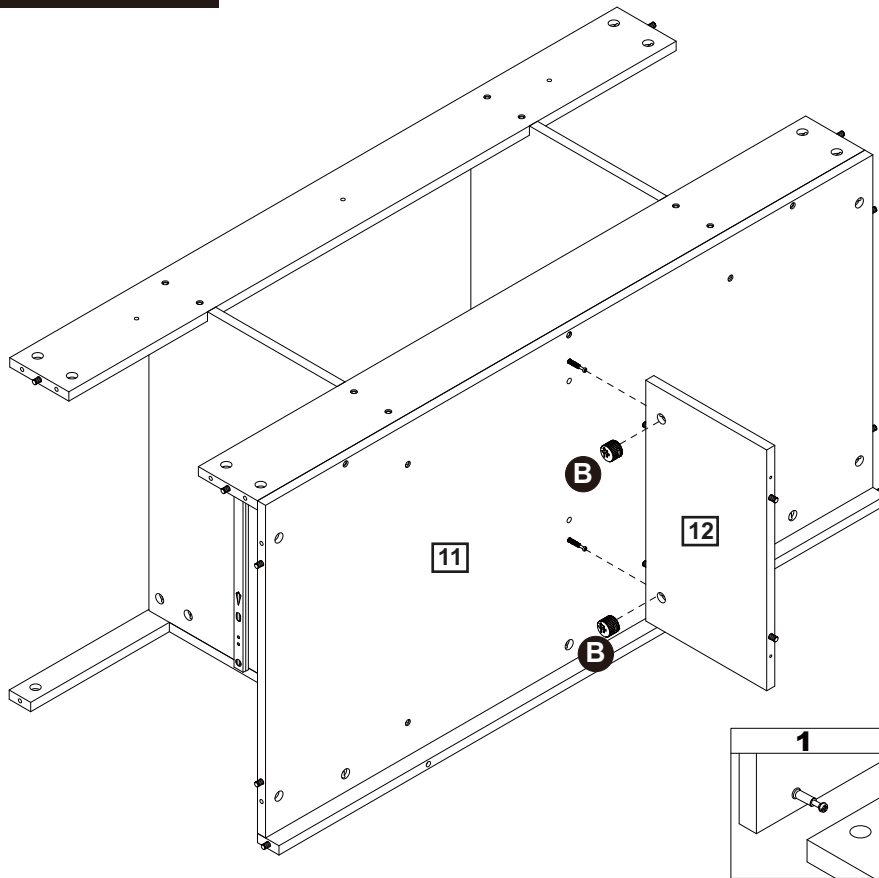
## Step 12



Insert wooden dowel (C) into part (12).

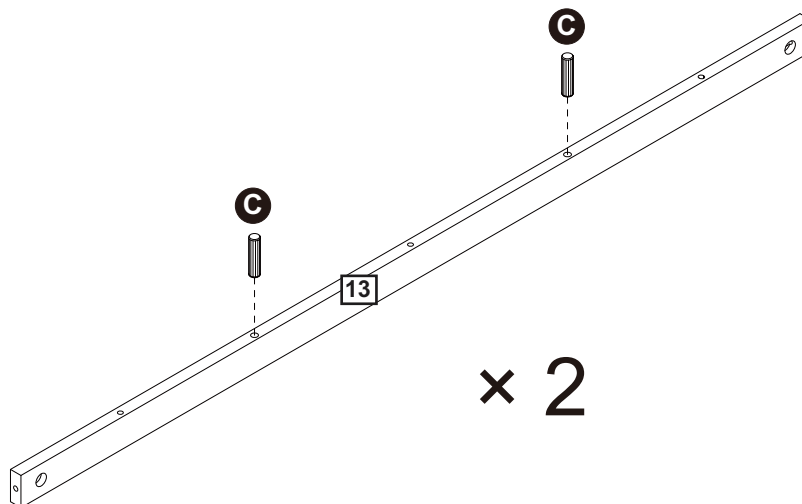
# Assembly Instructions

## Step 13



Attach part (12) to part (11), then insert and secure cam lock (B) to part (12) to lock it.

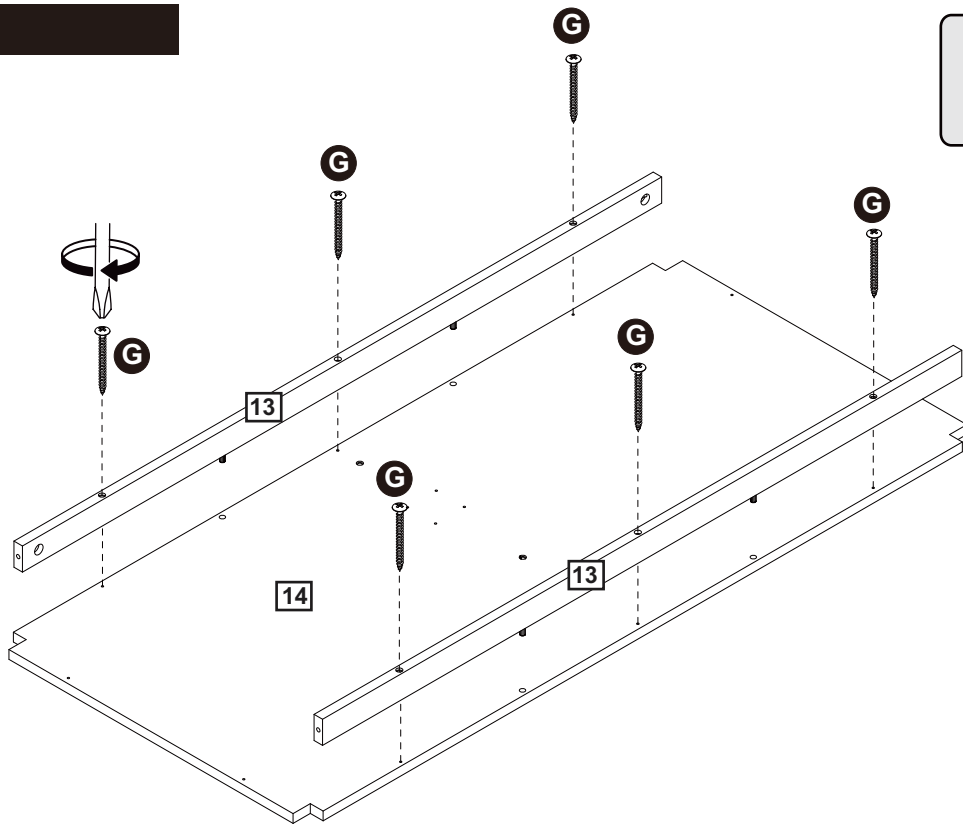
## Step 14



Insert wooden dowel (C) into part (13).

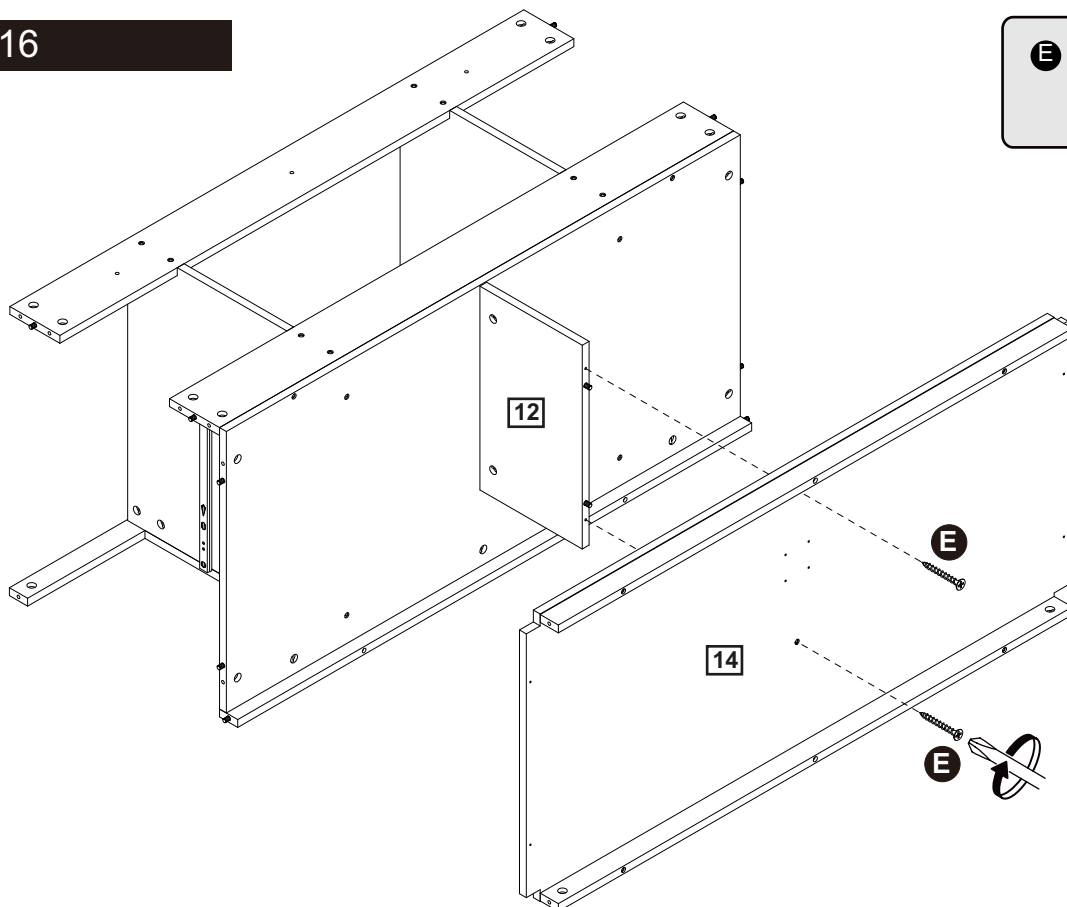
# Assembly Instructions

## Step 15



Attach part (13) to part (14) using screw (G) with a screwdriver.

## Step 16



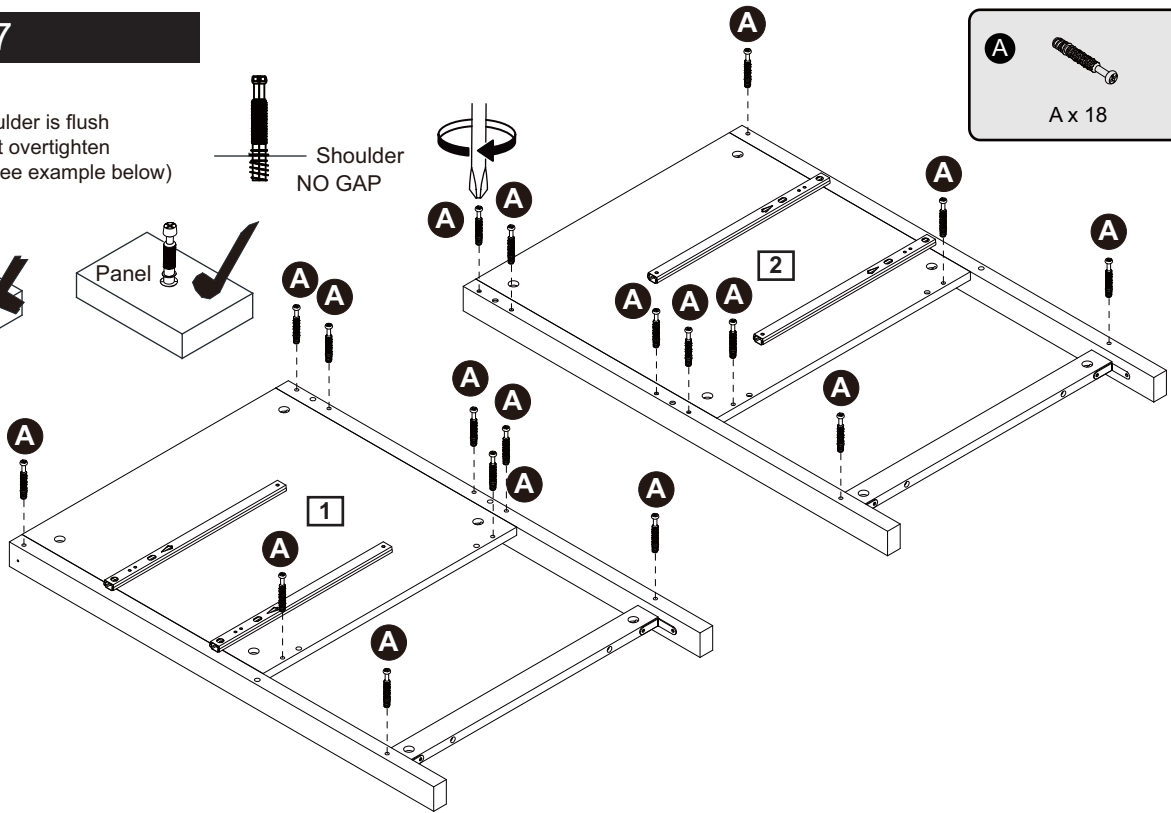
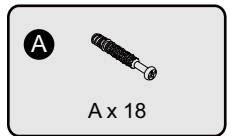
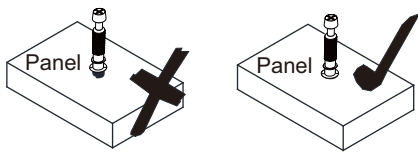
Attach part (14) to part (12) using screw (E) with a screwdriver.

# Assembly Instructions

## Step 17

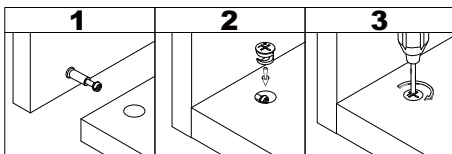
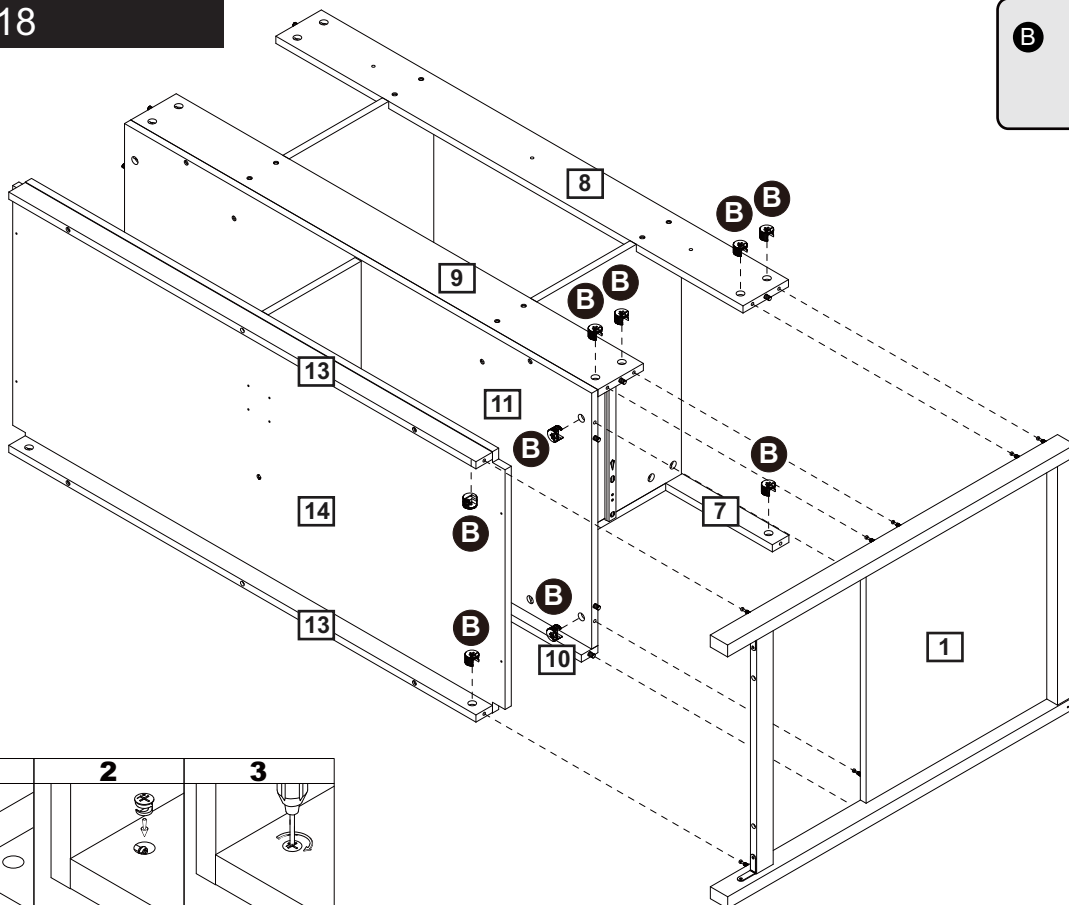
### CAM-LOCK

Tighten until shoulder is flush with panel. Do not overtighten or undertighten (see example below)



Attach cam bolt (A) to part (1, 2) with a screwdriver.

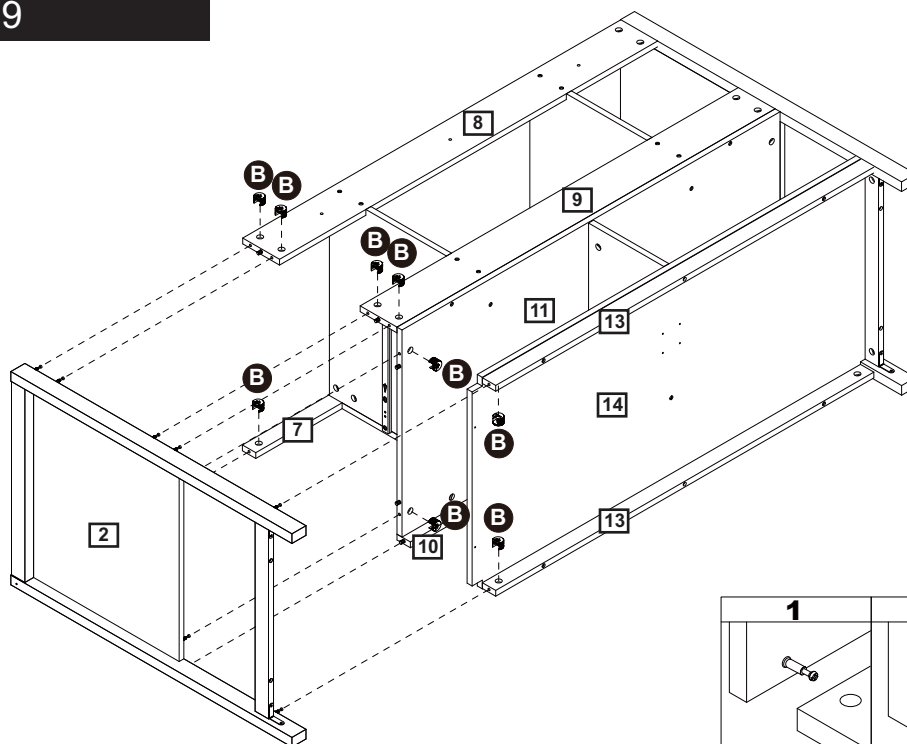
## Step 18



Attach part (1) to part (7, 8, 9, 10, 11, 13, 14), then insert and secure cam lock (B) to part (7, 8, 9, 11, 13) to lock it.

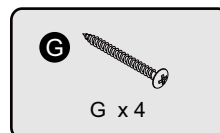
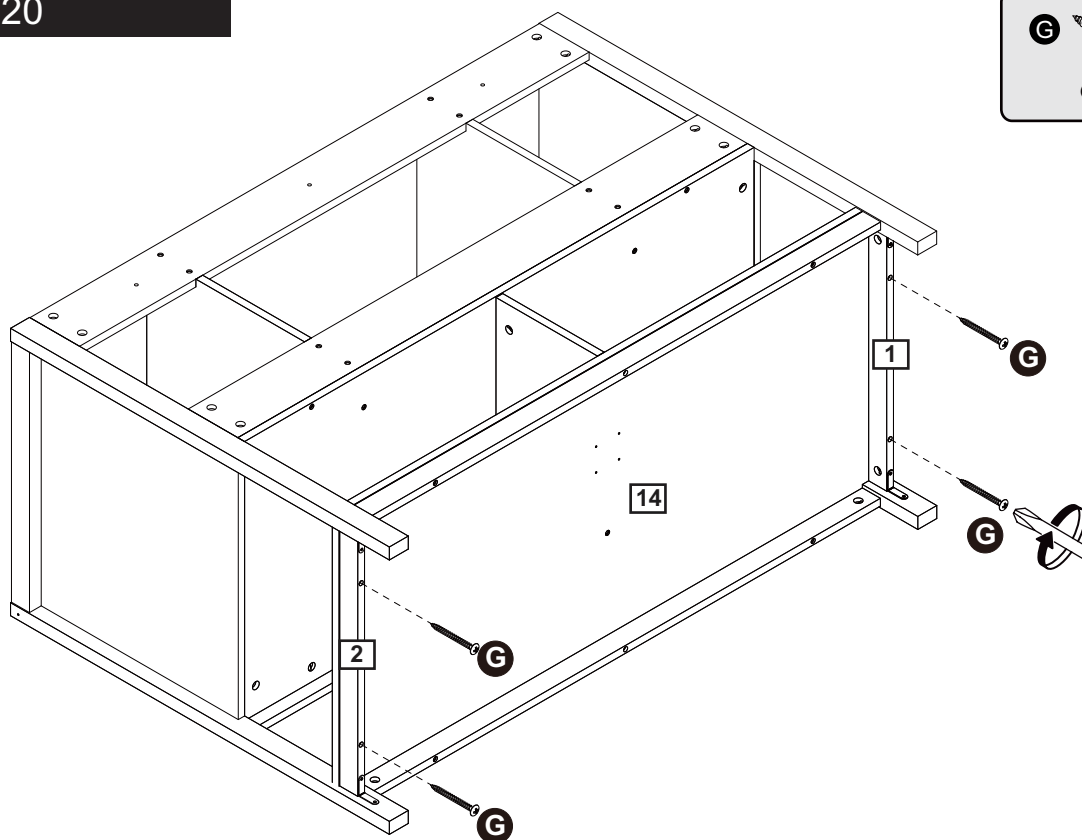
# Assembly Instructions

## Step 19



Attach part (2) to part (7, 8, 9, 10, 11, 13, 14), then insert and secure cam lock (B) to part (7, 8, 9, 11, 13) to lock it.

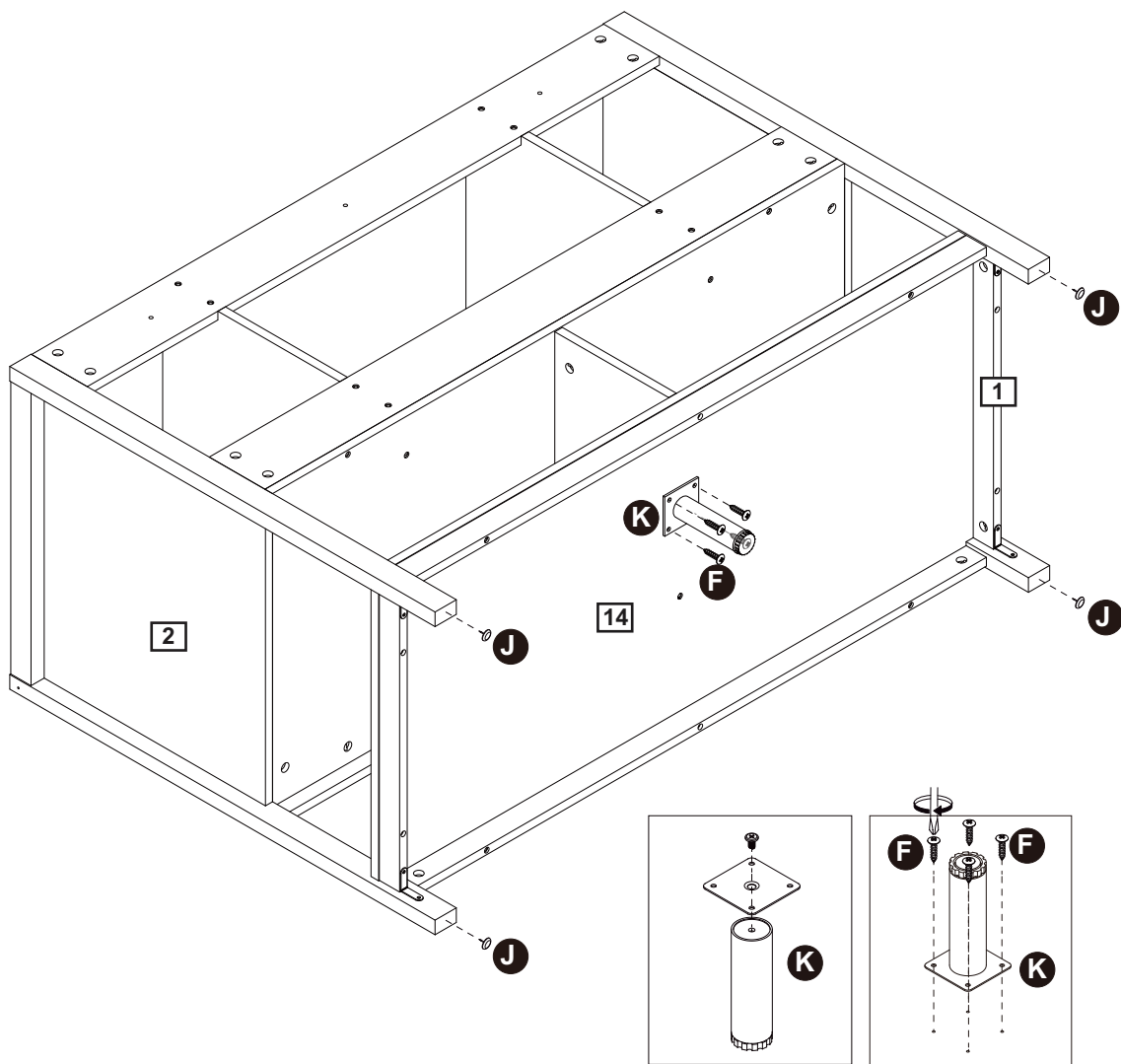
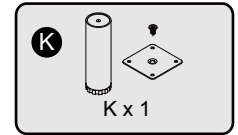
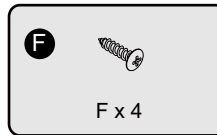
## Step 20



Attach part (1,2) to part (14) using screw (G) with a screwdriver.

# Assembly Instructions

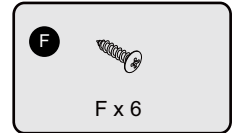
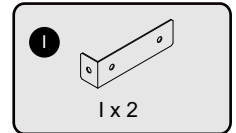
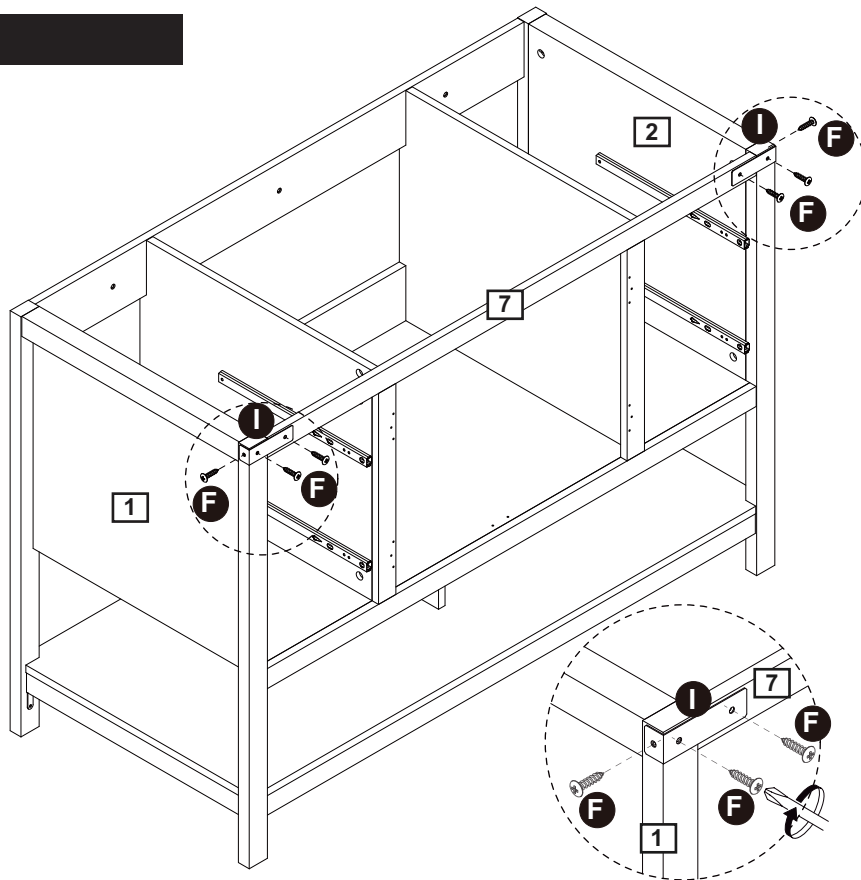
## Step 21



Insert protective foot (J) to part (1, 2), and assemble the adjustable foot (K), then attach it to part (14) using screw (F).

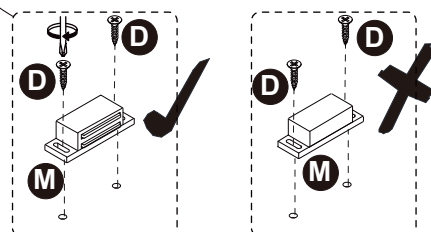
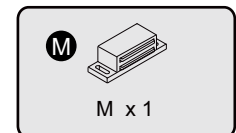
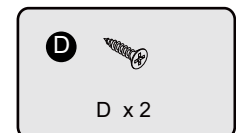
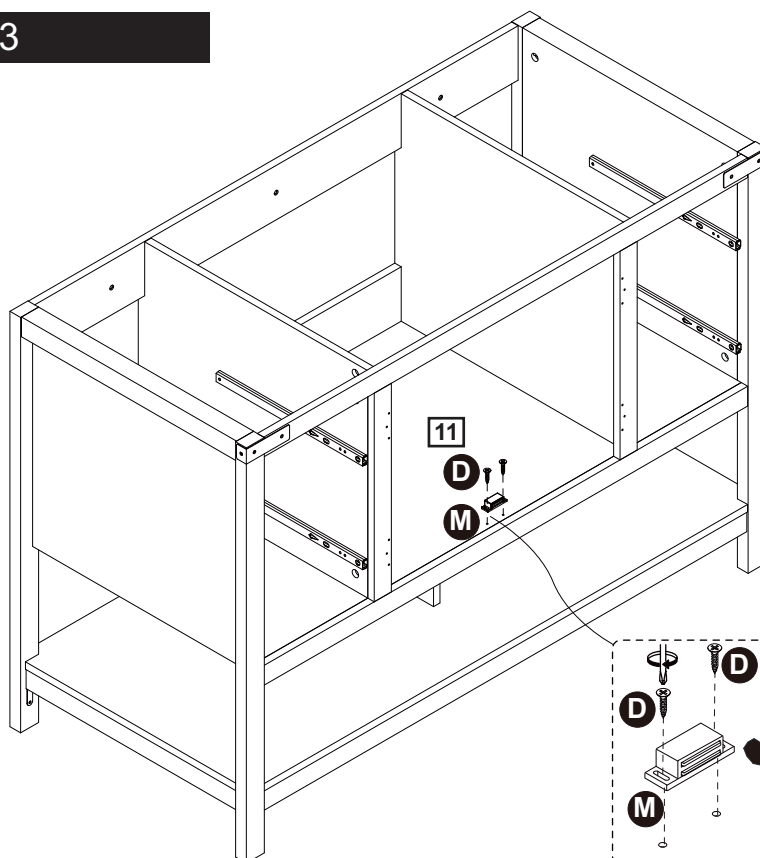
# Assembly Instructions

## Step 22



Attach right angle bracket (I) to part (7, 1, 2) using screw (F) with a screwdriver.

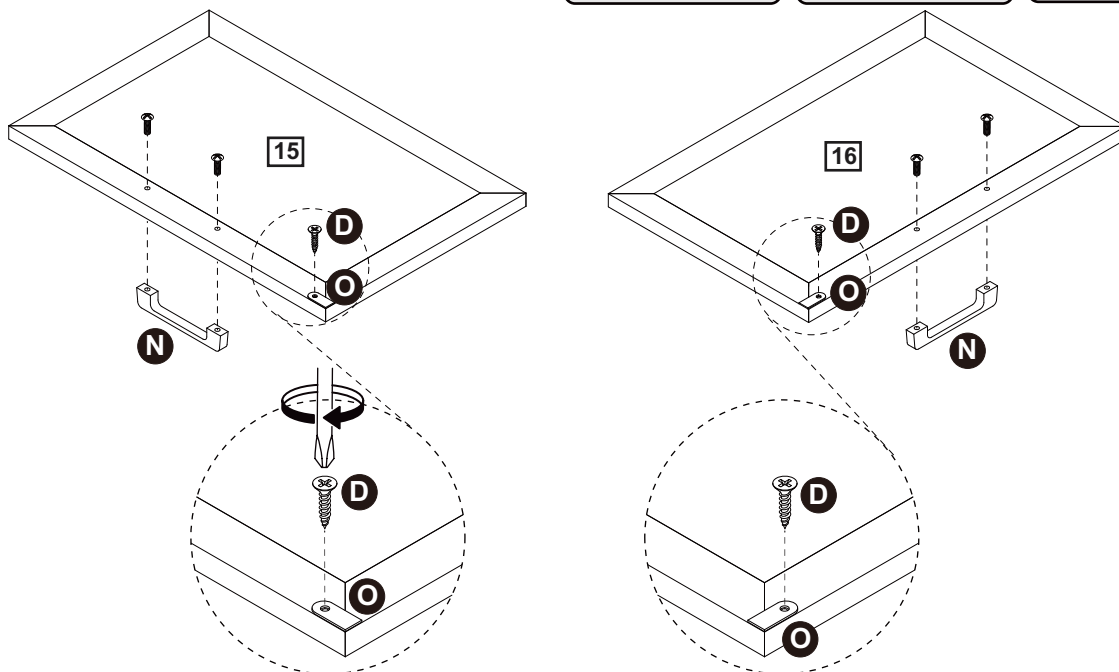
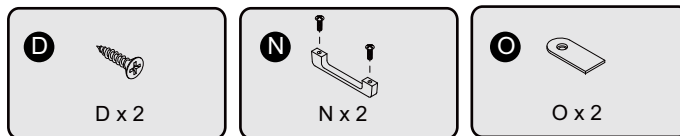
## Step 23



Attach door stopper (M) to part (11) using screw (D) with a screwdriver.

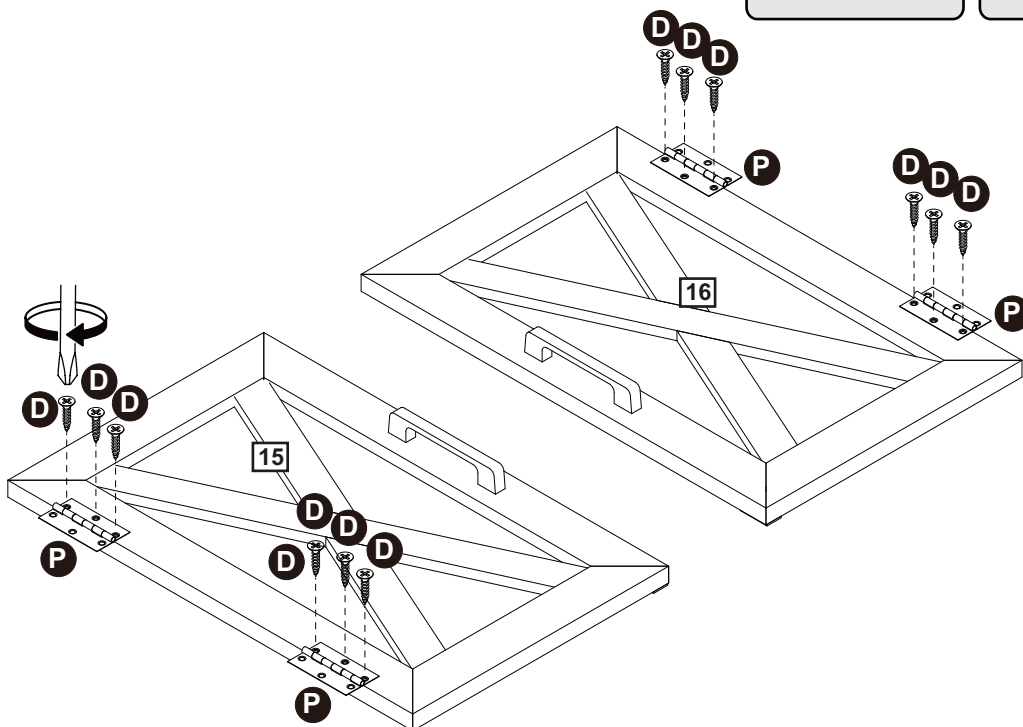
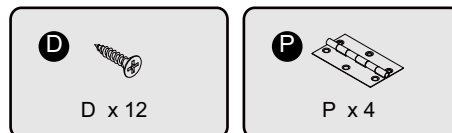
# Assembly Instructions

## Step 24



Attach handle (N) to part (15, 16) using screw (N) with a screwdriver.  
Attach metal plate (O) to part (15, 16) using screw (D) with a screwdriver.

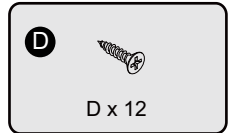
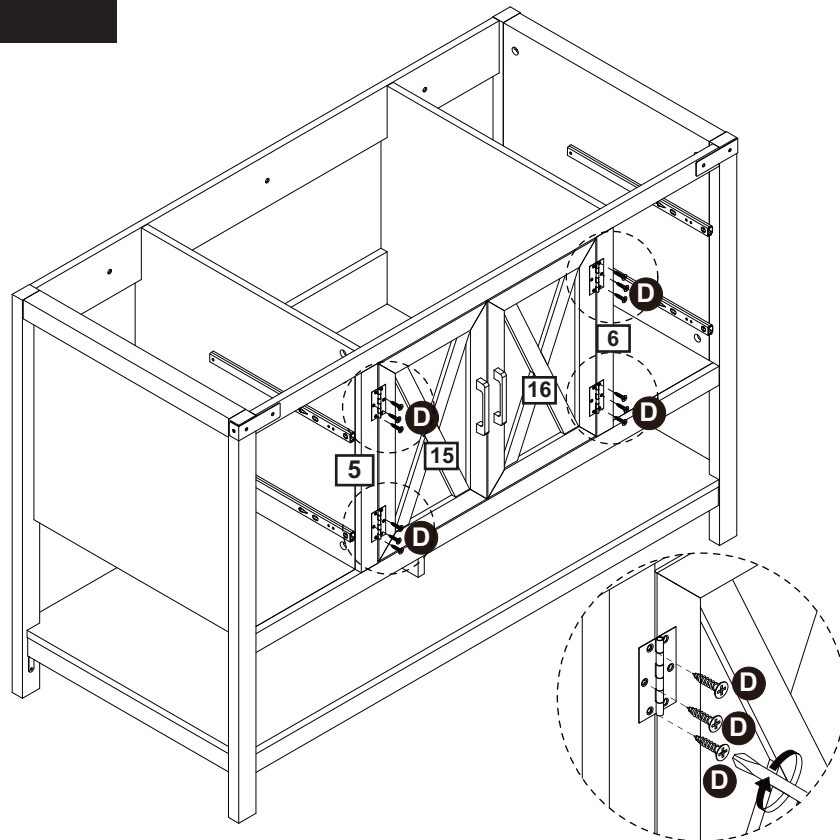
## Step 25



Attach hinge (P) to part (15, 16) using screw (D) with a screwdriver.

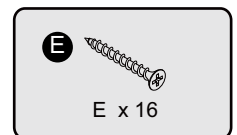
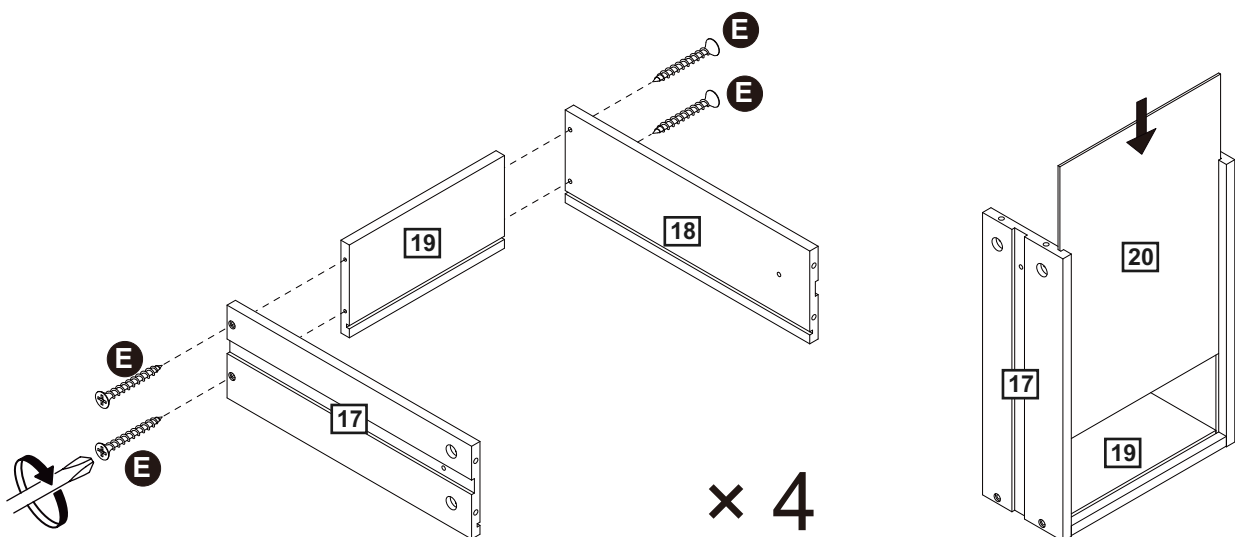
# Assembly Instructions

## Step 26



Attach hinge (P) to part (5, 6) using screw (D) with a screwdriver.

## Step 27



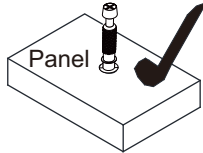
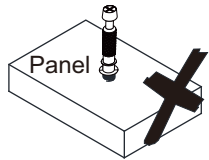
Attach part (17, 18) to part (19) using screw (E) with a screwdriver.  
Slide part (20) into grooves.

# Assembly Instructions

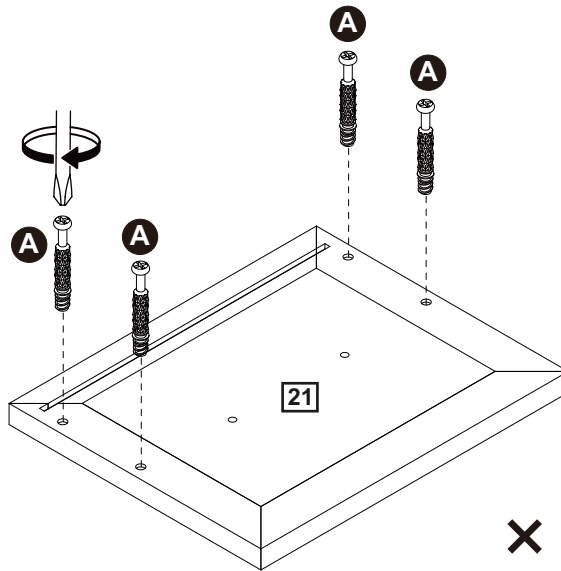
## Step 28

### CAM-LOCK

Tighten until shoulder is flush with panel. Do not overtighten or undertighten (see example below)



A x 16

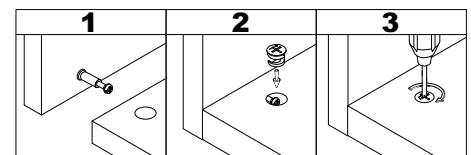
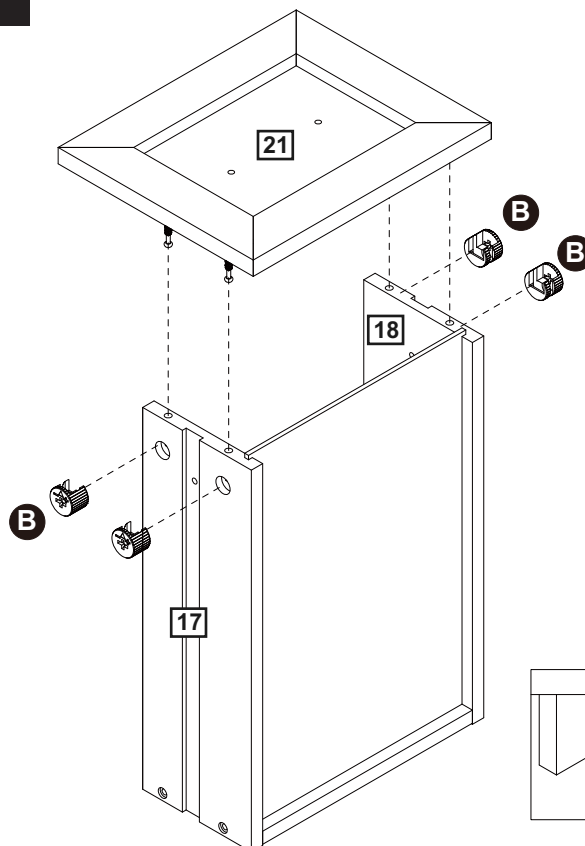


Attach cam bolt (A) to part (21) with a screwdriver.

## Step 29



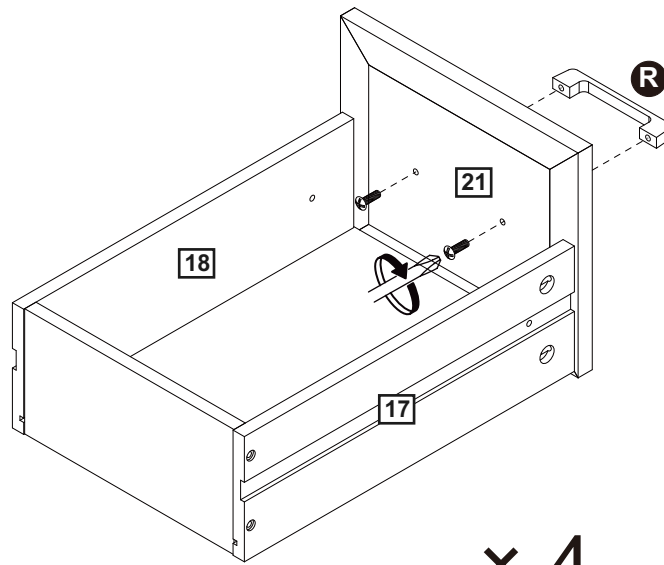
B x 16



Attach part (21) to part (17, 18), then insert and secure cam lock (B) to part (17, 18) to lock it.

# Assembly Instructions

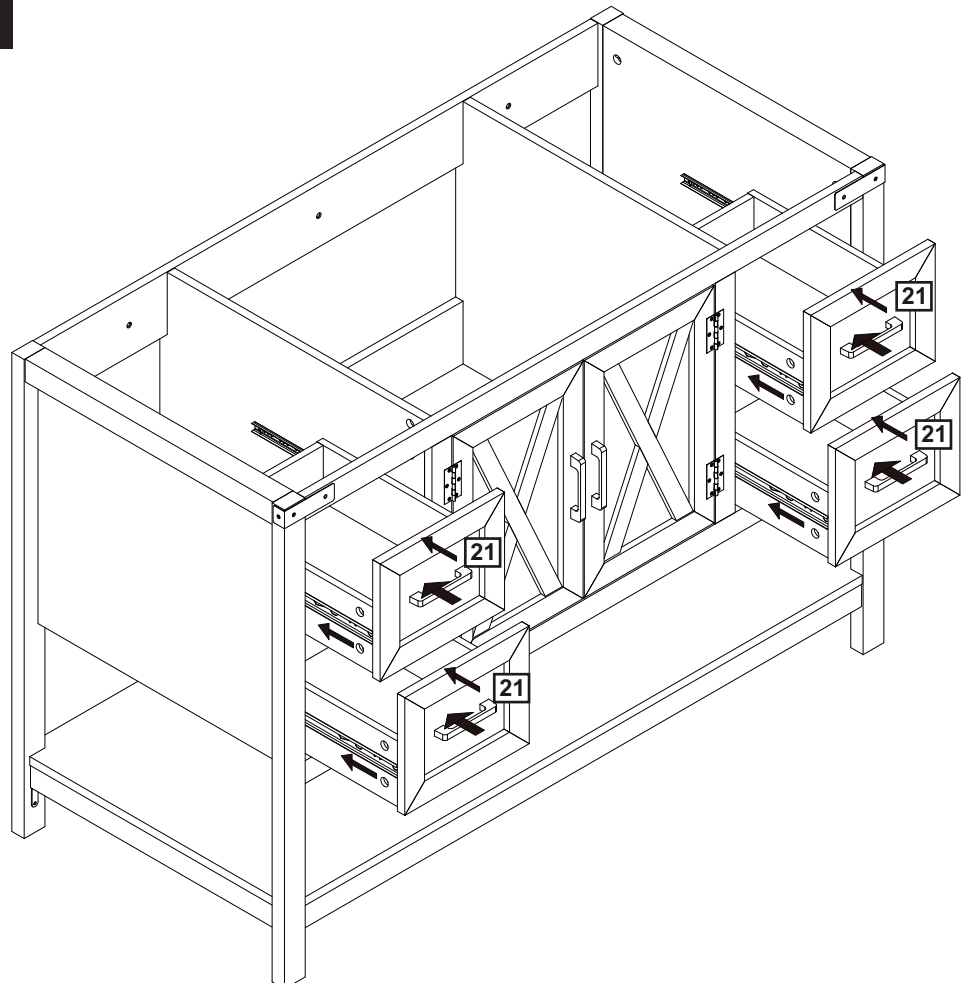
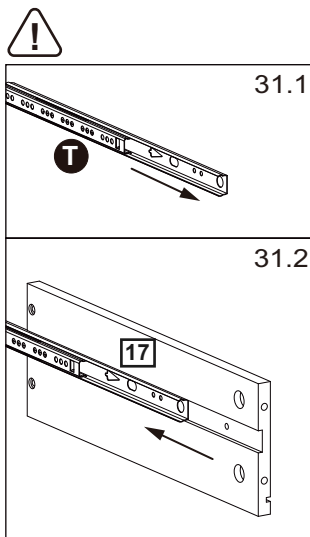
## Step 30



× 4

Attach handle(R) to part (21) using screw (R) with a screwdriver.

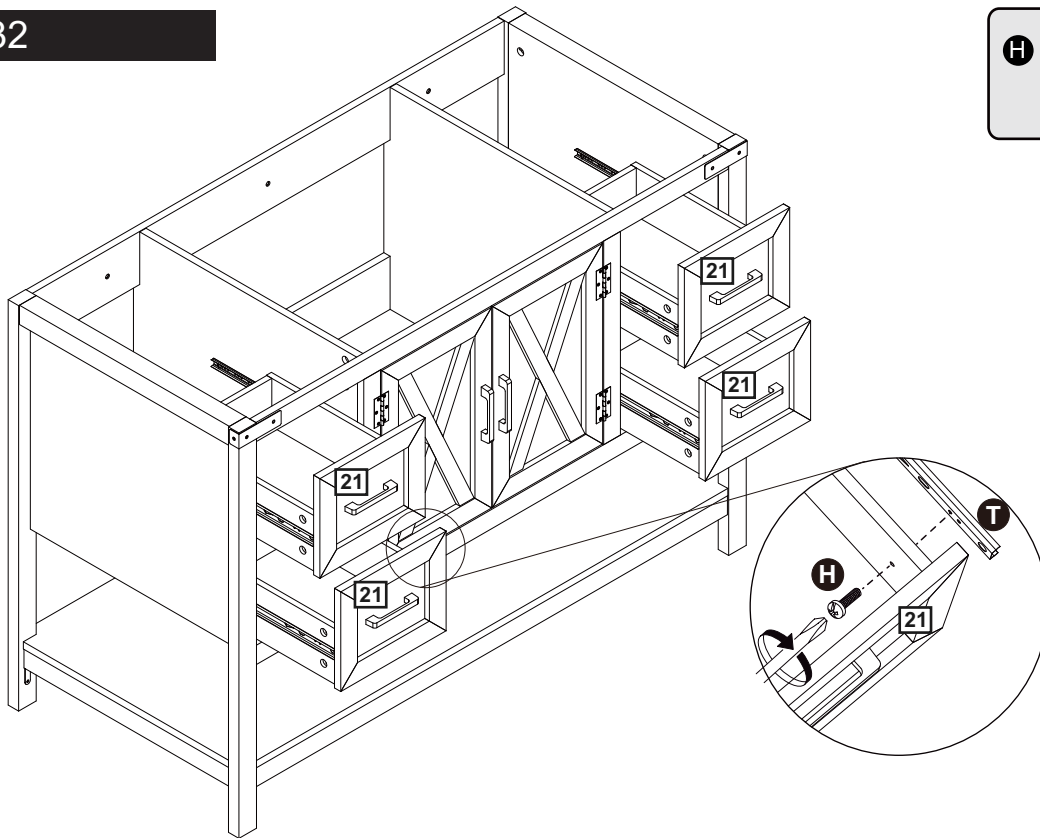
## Step 31



Slide the drawer slide (T) into grooves on both side of the drawer as per diagram.

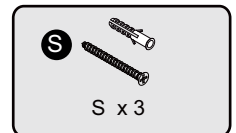
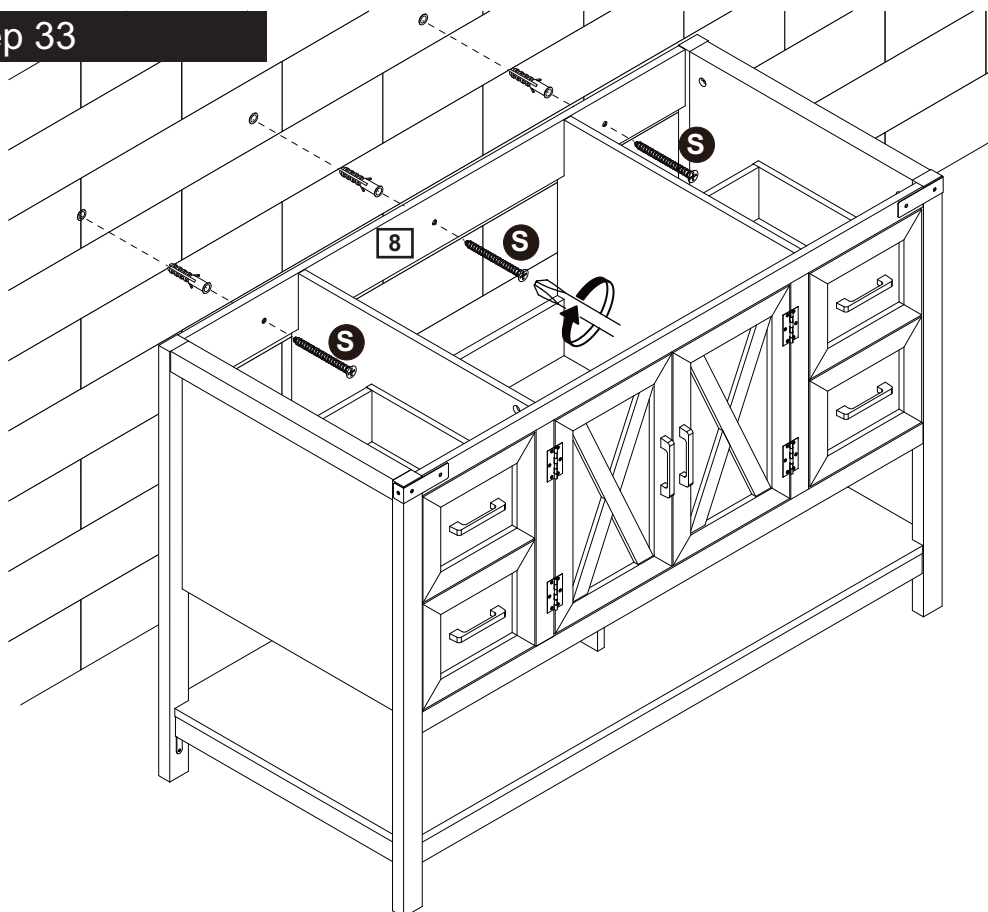
# Assembly Instructions

## Step 32



Use screw (H) to secure drawer slide (T) to the drawer.

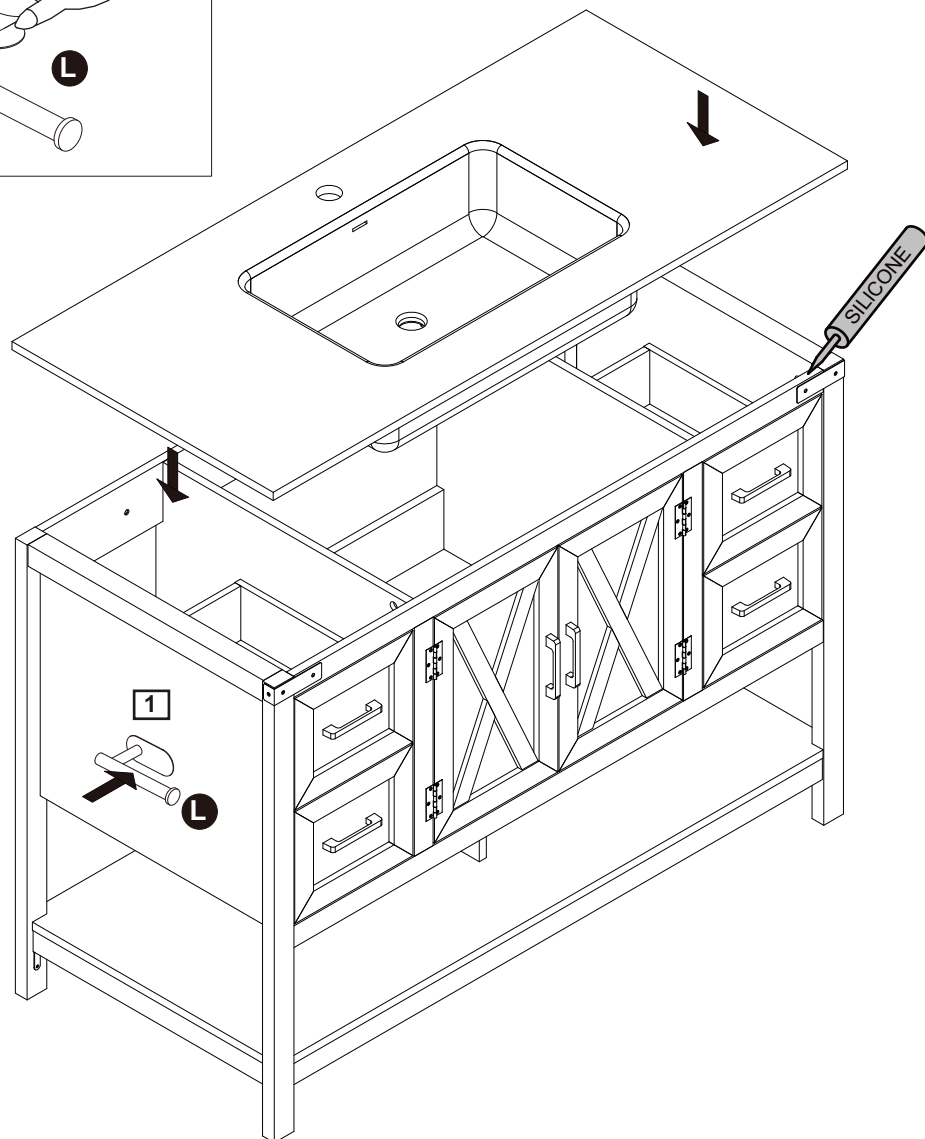
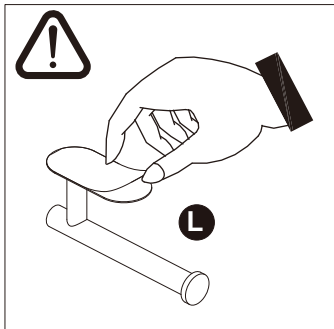
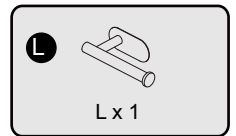
## Step 33



Secure vanity to the wall by using appropriate wall plus and screw(S).

# Assembly Instructions

## Step 34



Apply a thin layer of silicone sealant around the top of the vanity, and then carefully secure the sink in place.

Attach toilet paper holder (L) to part (1).

Remove excess silicone sealant with a damp rag.

# A Guide to Wall Mounting & Fixings

## Important note:

If plastic wall plugs (rawl plugs) are supplied with your product, e.g.:



- these are only suitable for use in masonry walls.

If you are in any doubt about the correct wall plugs for your wall, seek professional advice.


Failure of the product due to using the incorrect fixings is the responsibility of the installer.



**Important:** when drilling into walls always check that there are no hidden wires or pipes etc.

Make sure that the screws and wall plugs being used are suitable for **supporting your unit**. **Consult a qualified tradesperson if you are unsure.**

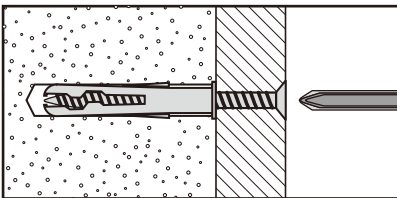
Hints:

- 1: General rule:  always use a larger screw and wall plug if you are not sure.
- 2: Ensure you use the recommended drill bit to match the wall plug and hole size.
- 3: Ensure you drill the hole horizontally; do not force the drill or enlarge the hole.
- 4: Take extra care when drilling high walls, ceilings and ceramic tiles. Ensure wall plugs are inserted beyond the thickness of the ceramic tiles to avoid the tiles splitting or cracking.
- 5: Ensure wall plugs are well fitted and are a tight fit in the drilled hole.

## Types of walls

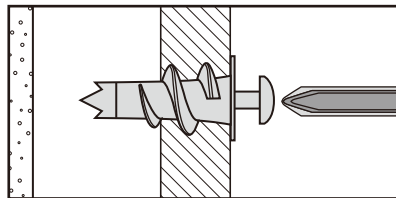
You can use one of the following types of wall plug if your walls are made of brick, breeze block, concrete, stone or wood.

No.1 "General Purpose" wall plug



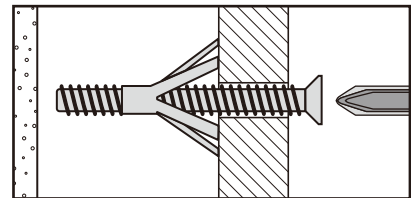
Generally aerated blocks should not be used to support heavy loads, use a specialist fitting in this case. For light loads, general purpose wall plugs can be used.

No.2 "Plasterboard" wall plug



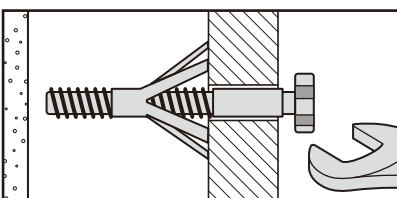
For use when attaching light loads onto plasterboard partitions.

No.3 "Cavity Fixing" wall plug



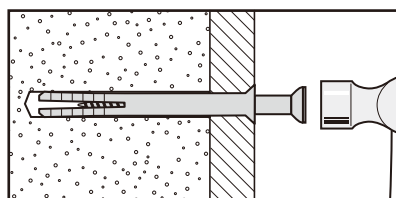
For use with plasterboard partitions or hollow wooden doors.

No.4 "Cavity Fixing – Heavy Duty" wall plug



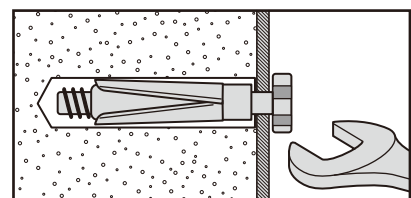
For use when fitting or supporting heavy loads such as shelving, wall cabinets and coat racks.

No.5 "Hammer Fixing" wall plug



For use with walls stuck with plasterboard. The hammer fixing allows it to be fixed to the wall rather than the plasterboard. Always check the fixing is secure to the retaining wall.

No.6 "Shield Anchor" wall plug – heavy loads



For use with heavier loads such as TV and HiFi speakers and satellite dishes etc.



## Care & Maintenance

**Safety:** always check the fitting and location to ensure your safety in and around the home.

**Fitting:** from time to time check the fitting to ensure the wall plugs or screws do not become loose.