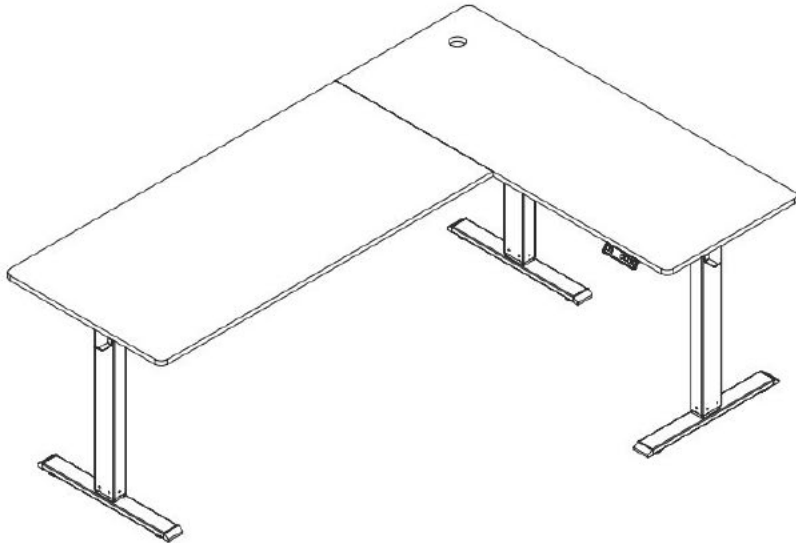

Affordable. Reliable. Home Improvement.

HEIGHT ADJUSTABLE L SHAPED DESK

HEIGHT ADJUSTABLE L SHAPED DESK

Affordable. Reliable. Home Improvement.



This is the original instruction, please read all manual instructions carefully before operating. reserves a clear interpretation of our user manual. The appearance of the product shall be subject to the product you received. Please forgive us that we won't inform you again if there are any technology or software updates on our product.

SAFETY INSTRUCTIONS

WARNING:

WARNING FOR YOUNG CHILDREN-This product contains small components, please ensure that they are kept away from small children while assembling.

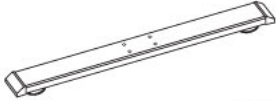

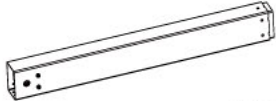









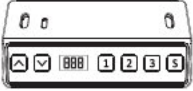

NOTES:

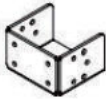













1. Do not skip any step.
2. Do not fully tight screws until all the parts are assembled.

Thank you very much for choosing this HEIGHT ADJUSTABLE L SHAPED DESK. Please read all of the instructions before using it. The information will help you achieve the best possible results.

SAVE THIS MANUAL

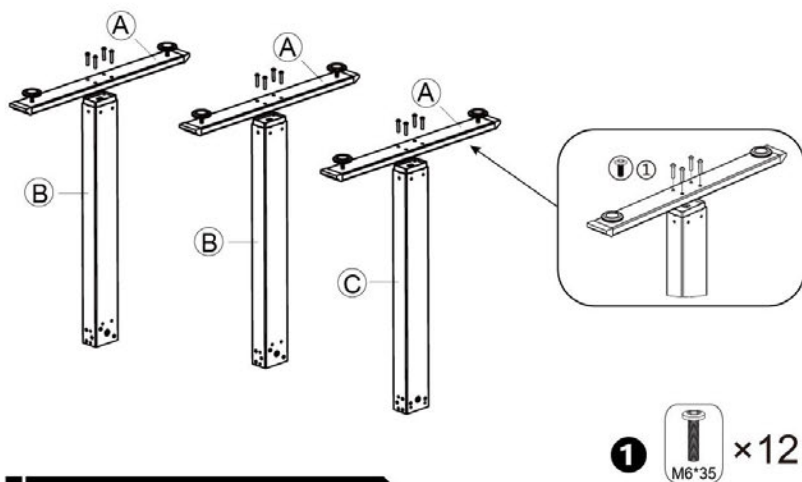
PARTS LIST

 <p style="text-align: right;">A×3</p>	 <p style="text-align: right;">B×2</p>	 <p style="text-align: right;">C×1</p>
 <p style="text-align: right;">D×2</p>	 <p style="text-align: right;">E×2</p>	 <p style="text-align: right;">F×2</p>
 <p style="text-align: right;">G×3</p>	 <p style="text-align: right;">H×1</p>	
 <p style="text-align: right;">I×1</p>	 <p style="text-align: right;">J×1</p>	 <p style="text-align: right;">K×1</p>
 <p style="text-align: right;">L×2</p>	 <p style="text-align: right;">M×1</p>	 <p style="text-align: right;">N×2</p>

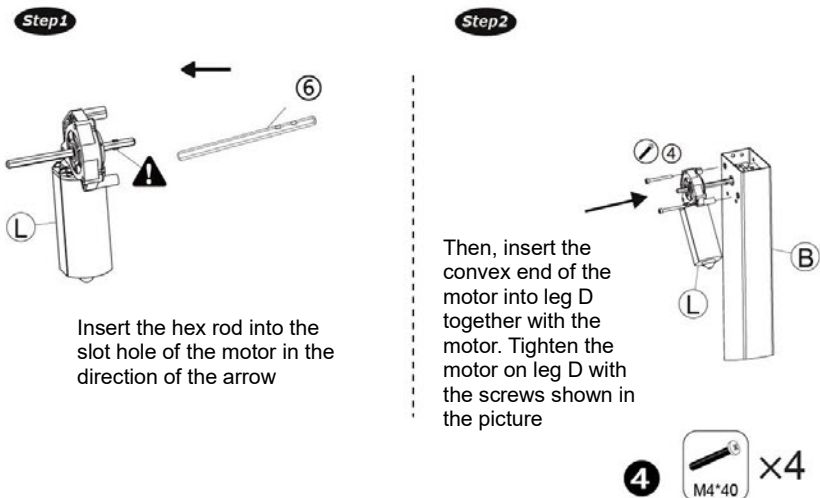
 <p>0×1</p>		
<p>M6*35</p>  <p>① × 12</p>	<p>M6*13</p>  <p>② × 66</p>	<p>ST4*16</p>  <p>③ × 2</p>
<p>M4*40</p>  <p>④ × 4</p>	<p>M6*8</p>  <p>⑤ × 4</p>	 <p>⑥ × 2</p>
 <p>⑦ × 4</p>	 <p>⑧ × 4</p>	 <p>⑨ × 2</p>
 <p>⑩ × 5</p>	 <p>⑪ × 1</p>	 <p>⑫ × 1</p>
 <p>⑬ × 1</p>		

ASSEMBLY STEP

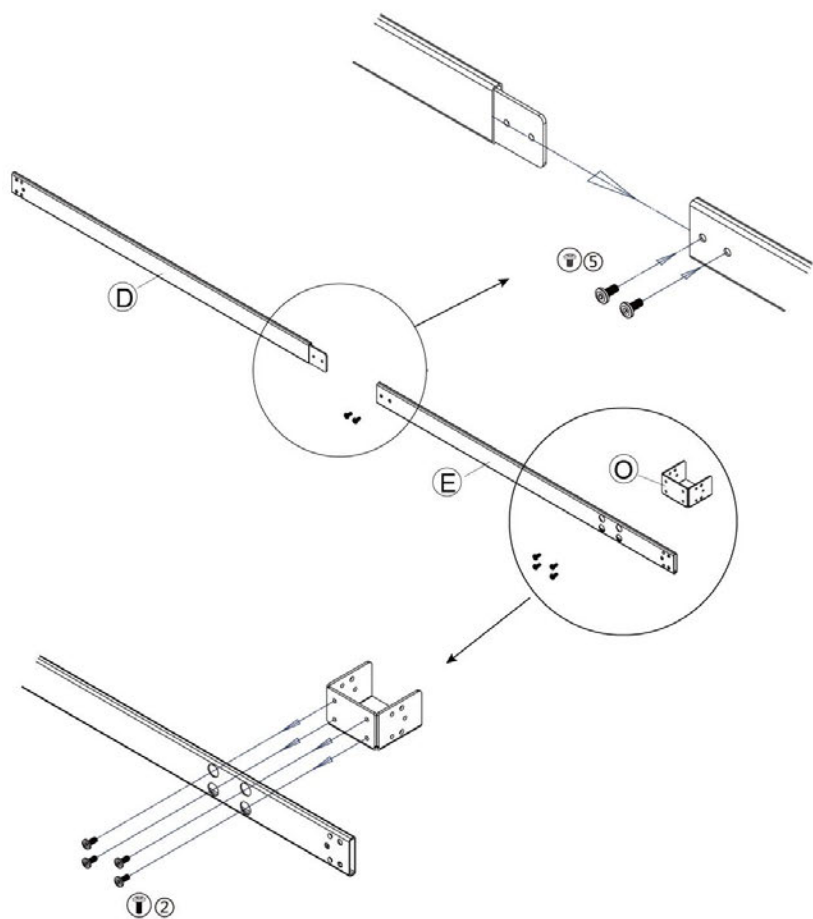
1. Foot installation



2. Motor installation

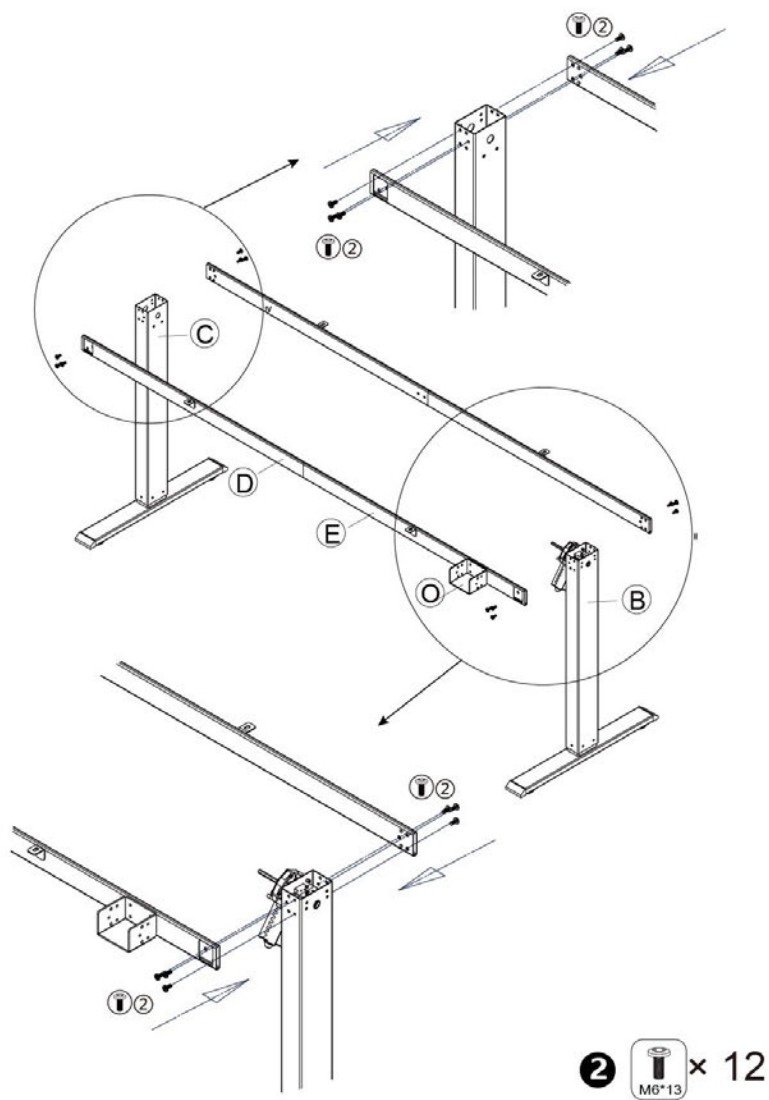


3.Beam installation

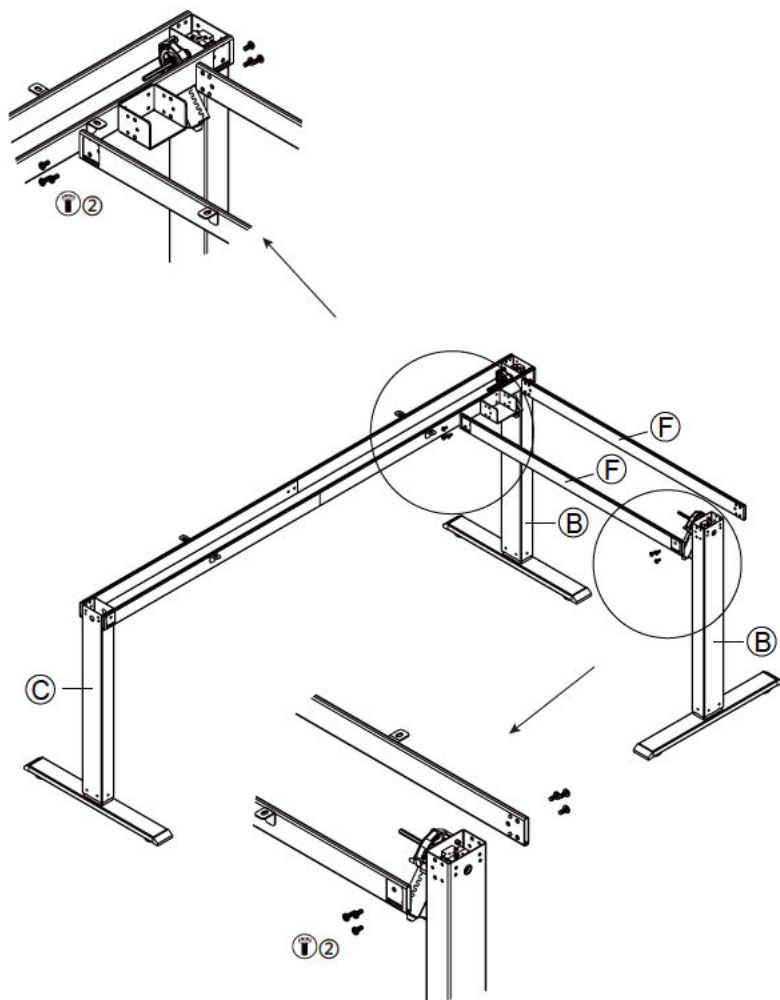


2  × 4 **5**  × 4

4. Beam installation

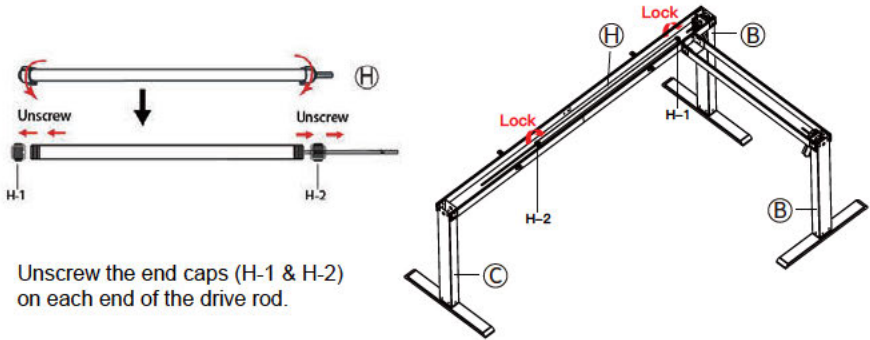


5. Beam installation

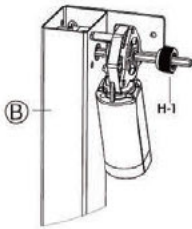


2  × 12
M6*13

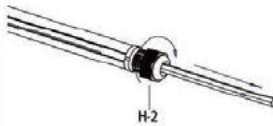
6.Driver rod installation



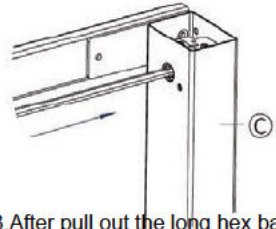
Unscrew the end caps (H-1 & H-2) on each end of the drive rod.



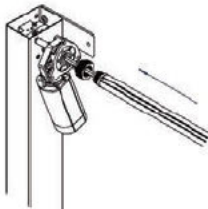
1. With the end caps unscrewed the end cap (H-1) goes into the hex bar on ①



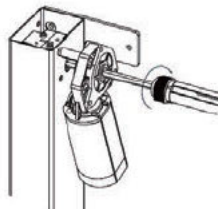
2. Don't take off end cap (H-2), and then pull the long hex bar out of the drive rod.



3. After pull out the long hex bar then insert it into the hole in ③, making sure it has fully snapped (There is a small bump on the long hex bar that is fully up against the hole).



4. Another side stretch the drive rod until the hexagonal bar on ④ is inserted about 5 cm into the drive rod.

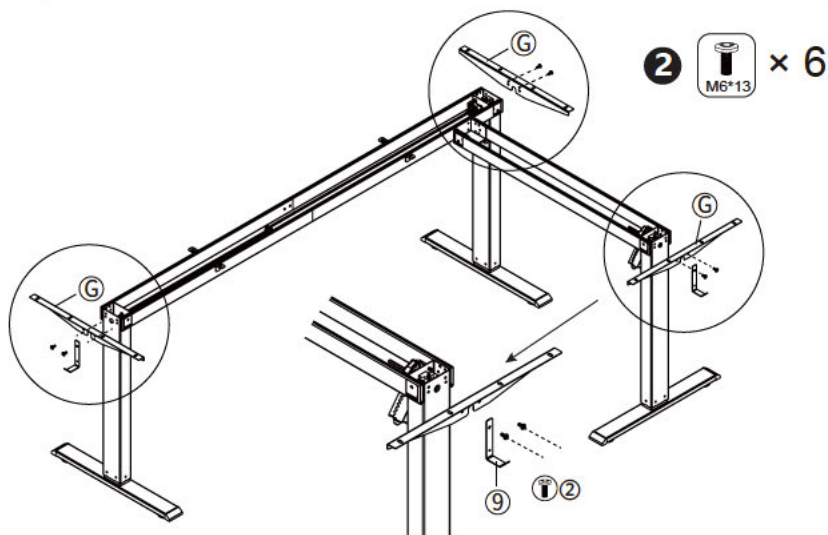


5. Secure and tighten end cap (H-1).

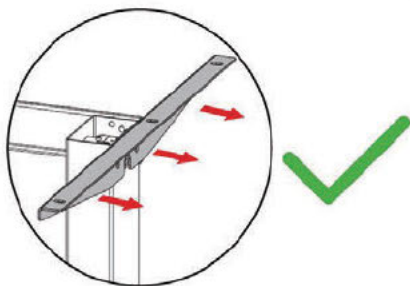


6. Secure and tighten end cap (H-2).

7.Side wing installation

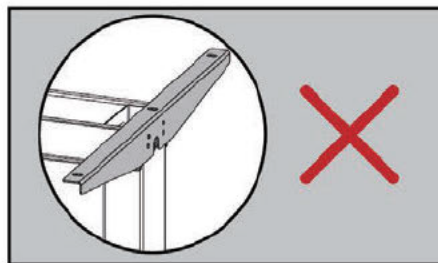


CORRECT DEMONSTRATION



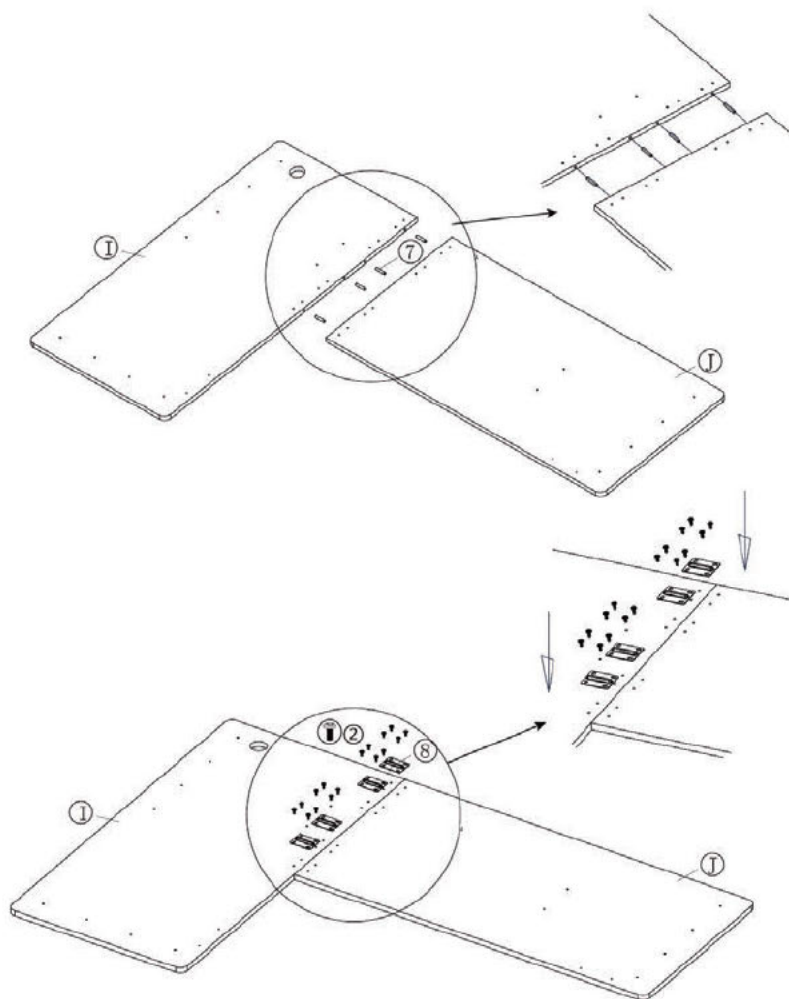
Please pay attention to ensuring that the side wings are facing out, as indicated by the arrow on the side wings. If the installation of the side wings is incorrect, you will find that the pre-drilled holes on the desktop are not aligned.

ERROR DEMONSTRATION



Please ensure that the side wings are facing outward as indicated by the arrow on the narrow, incorrect installation of the side wings will result in misalignment of the pre-drilled holes on the desktop.

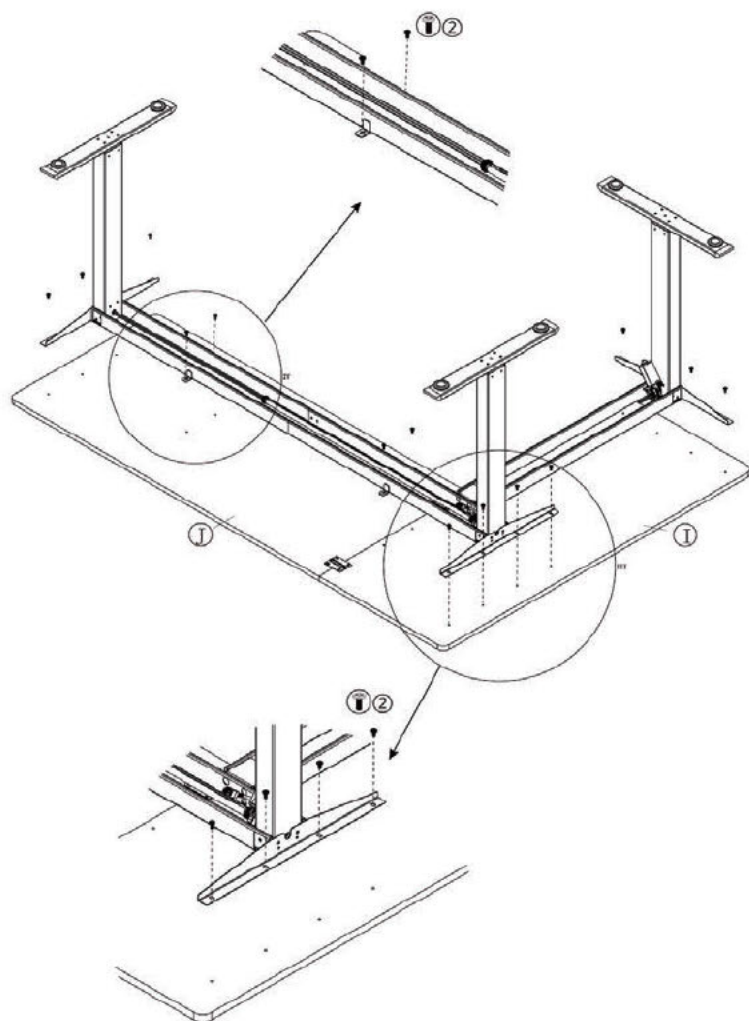
8. Panel installation



7  × 4

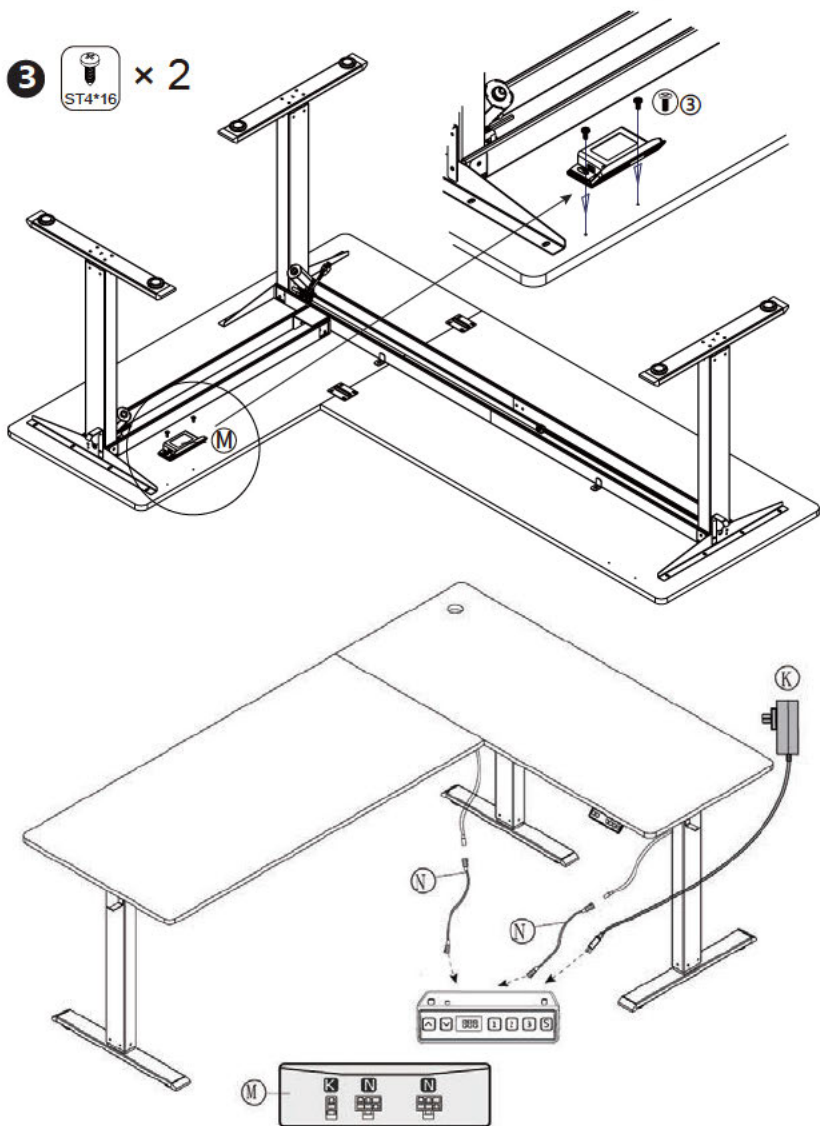
2  × 16
M6*13

9. panel installation



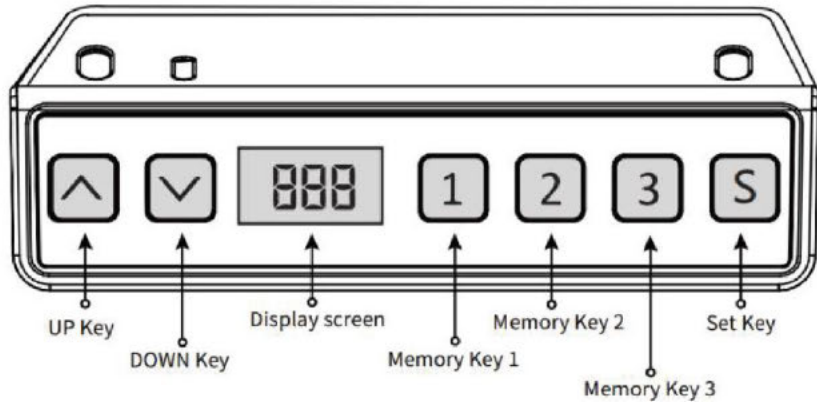
2  $\times 16$
M6*13




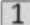


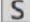
10. Line connection



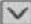

OPERATING INSTRUCTIONS

Note: Before using the height-adjustable desk, it's recommended to perform a reset to ensure that both lift columns are at the same height, as they may have slight variations from the factory (see OPERATING INSTRUCTIONS-Reset).



-  UP Key ---- Press and hold the "A" button to raise the desk.
 -  DOWN Key ---- Press and hold the "v" button to lower the desk.
 -  Display screen ---- Press any button to wake up the LED display.
 -  Memory Key 1 ----
 -  Memory Key 2 ----
 -  Memory Key 3 ----
 -  Set Key
- The desk can store 3 memory heights (memory 1, 2, and 3).

Reset

Long press the "" key, after running the desktop to the lowest point, keep holding the "" key until the screen flashes " — " and the buzzer makes a "beep" sound, the screen displays the lowest height value, and the reset operation is successful.

Lift function operation

When the "▲" key is pressed, the desktop runs upwards until it reaches the highest point of the desktop.

When the "▼" key is pressed, the desktop runs down until it reaches the *lowest point of the desktop*.

Memory Position Storage/Memory Location Run

1.Location storage

Press and hold the memory button " 1 ", the buzzer will make a "beep" sound, and the screen will flash "S-1" at the same time, and the current altitude value will be displayed, and the memory storage will be saved successfully. A total of 3 heights can be recorded at the same time (press and hold the memory button " 2 ", the screen flashes "S-2", press and hold the memory " 3 key ", the screen flashes "S-3").

Note: If you set the memory location on the same number key again and save it successfully, the record storage that was previously set by the key will be overwritten.

2.Memory position operation

Short press the " 1 / 2 / 3 " button, the display flashes the memory position height 2seconds, the desktop automatically runs to the height of the memory position, and any key can stop running during operation.

3.Lock and unlock

Lock: Press and hold "▲" + "▼" + " 2 " at the same time for 5 seconds, when the display shows " L ", it means that the system has been locked and cannot lift the system.

Unlock: Press and hold "▲" + "▼" + " 2 " at the same time for 5 seconds, when the digital tube is displayed from "L" to the normal digital display, it means that the system has been unlocked.

4.Sedentary reminder (countdown method)

Countdown time: 3 stops, "r30" = 30 minutes, "r45" = 45 minutes,"r60" =60 minutes.

Countdown start: Press "S" screen to display "r30/r45/r60" in turn, and the countdown will start.

Exit Countdown:

1. Short press the "S" button, the display will display the number, and exit the countdown.
2. When the countdown time is up, the display will flash "CHr", the flashing time is 1 minute, press any button to stop the timer and exit.
3. After the countdown time is up, if there is no operation, it will automatically exit the timer after reminding 3 times continuously every 5 minutes.

Restore factory settings

Method: Press and hold the "▲"+"▼"+"3" buttons at the same time for 5 seconds, and the screen displays " ", which means that the parameter is successfully restored.

Metric Imperial switching

Metric (CM unit): Long press "▼"+"3", after the buzzer "tick", the screen display will switch to the metricCM unit Imperial (inch as unit): Long press "▼"+"3", after the buzzer "tick", the screen display will switch to imperial inch units.

Error description

E01	The motor is not connected	Press the up or down button again, if it still persists, please check the column motor connection cable
E02	Motor overcurrent	Press the up or down button again, it still persists, please replace the motor or reduce the load
E03	Motor Hall failure	PrPress the up or down button again, it still persists, please check the connection or replace the motor
E04	The mains power supply is abnormal	If the cable cannot be eliminated after power failure and reconnection, replace the power supply
E05	The motor current is abnormal	Reconnect the cable after power failure, if it still can't be removed, you need to return it to the factory
E06	The motor power device is bad	Reconnect the cable after power failure, if it still can't be removed, you need to return it to the factory
E09	Motor stalled	Press the up or down button again, it still persists, please replace the motor or reduce the load
Hof	Over-temperature protection	Wait for the temperature to drop, run for 2 minutes, and stop for 18 minutes
r5r	Illegal power outages	Reduce the load or check if the power cable is loose

PRODUCT PARAMETER

Model	
Rating	DC29V 2A
Via Adapter	100-240VAC, 50/60Hz, 2A
Product Size	1800*1200* (723-1148) mm



