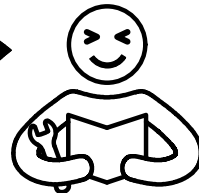
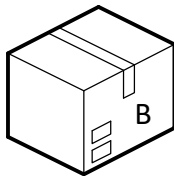
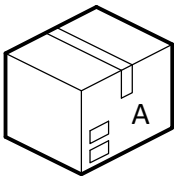
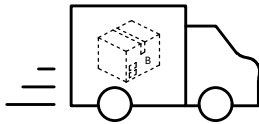
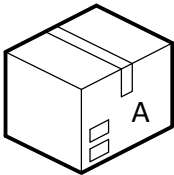
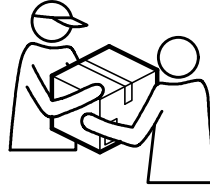
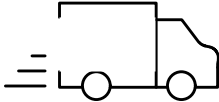
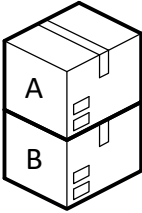
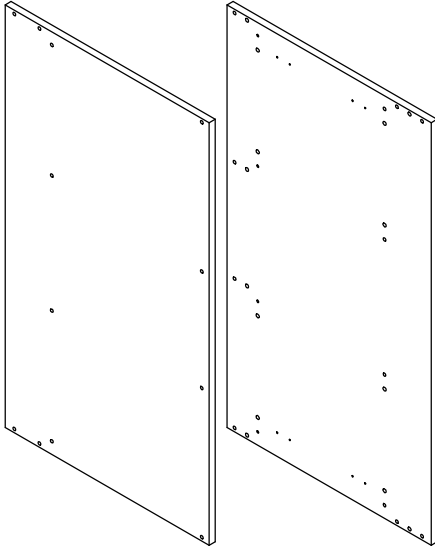
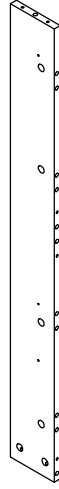


Installation & Assembly

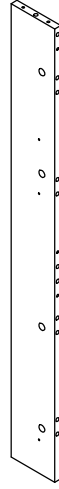




Ax2



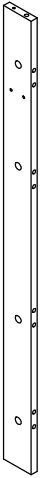
Bx2



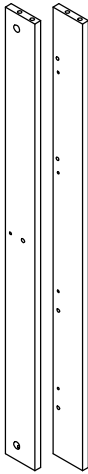
Cx2



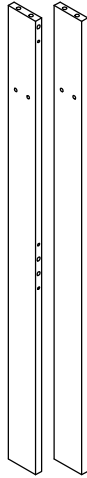
Dx2



Ex2



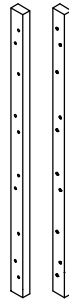
Fx4



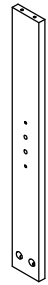
Gx2



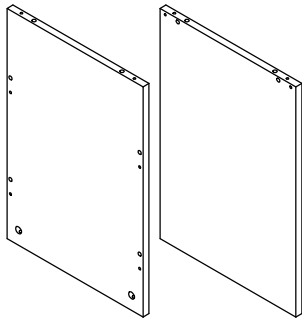
Hx14



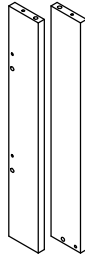
Ix6



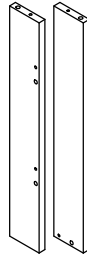
Jx2



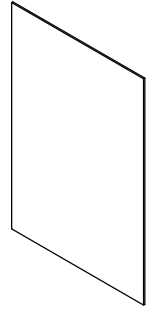
Kx2



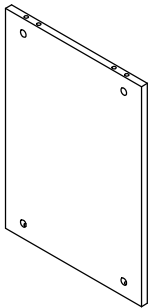
Lx2



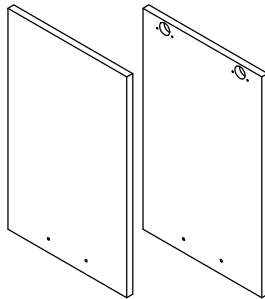
Mx2



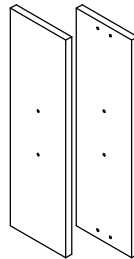
Nx4



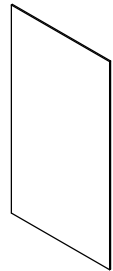
Ox2



Px2



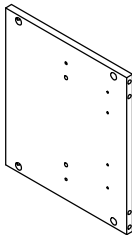
Qx2



Rx2



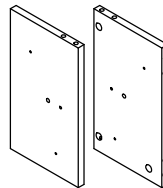
Sx2



Tx2



Ux4



Vx2



Wx4

$\frac{250}{9.8}$



CRx2



CLx2



DRx2



DLx2



M8x $\frac{50}{2.4}$
Xx8



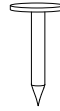
M8x $\frac{35}{1.4}$
Yx88



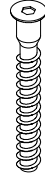
Zx98



AAx98



ABx100



ACx22



ADx1



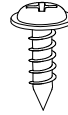
M4.5x $\frac{30}{1.2}$
AEx88



AFx8



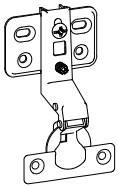
M3.5x $\frac{12}{0.5}$
AGx8



M3.5x $\frac{12}{0.5}$
AHx6



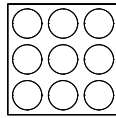
Alx6



AJx4



AKx4



ALx26



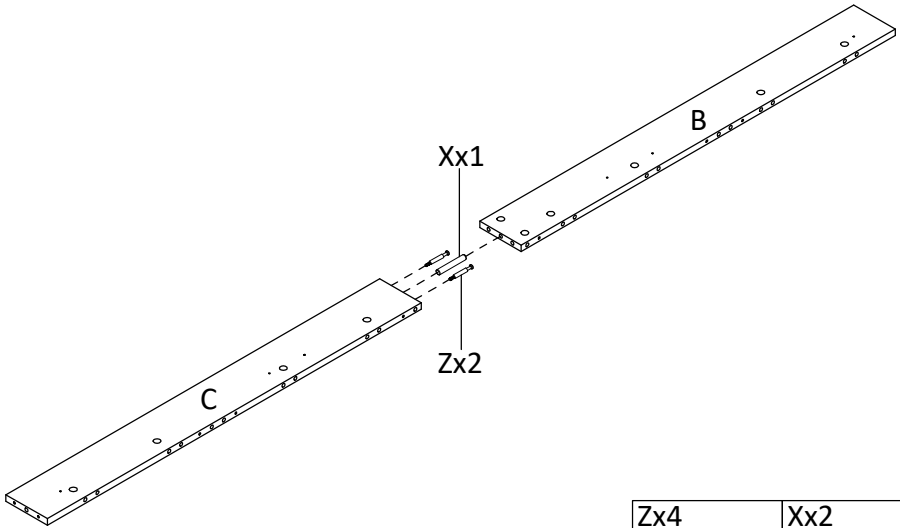
M3.5x $\frac{15}{0.6}$
AMx24

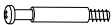
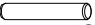


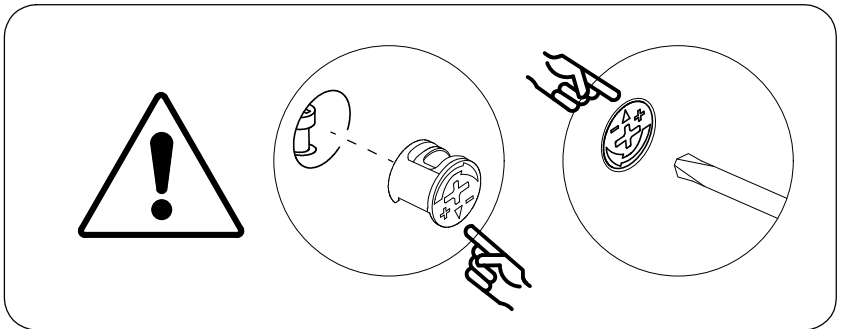
mm
inch

x2

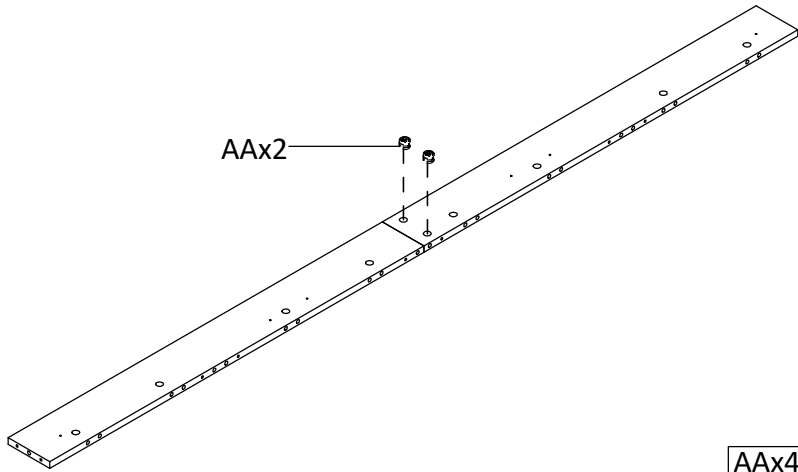
① x2



Zx4	Xx2
	
	M8x $\frac{50}{2.0}$



② x2

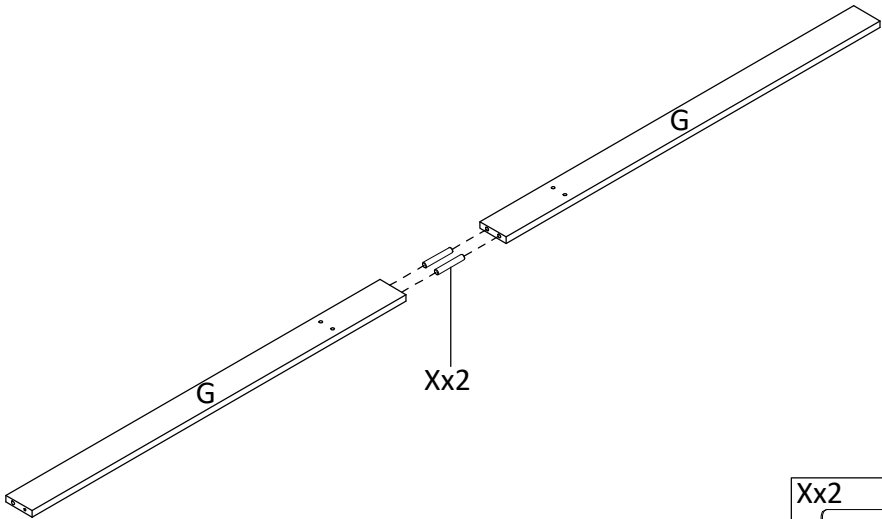


a

AAx4

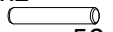


③



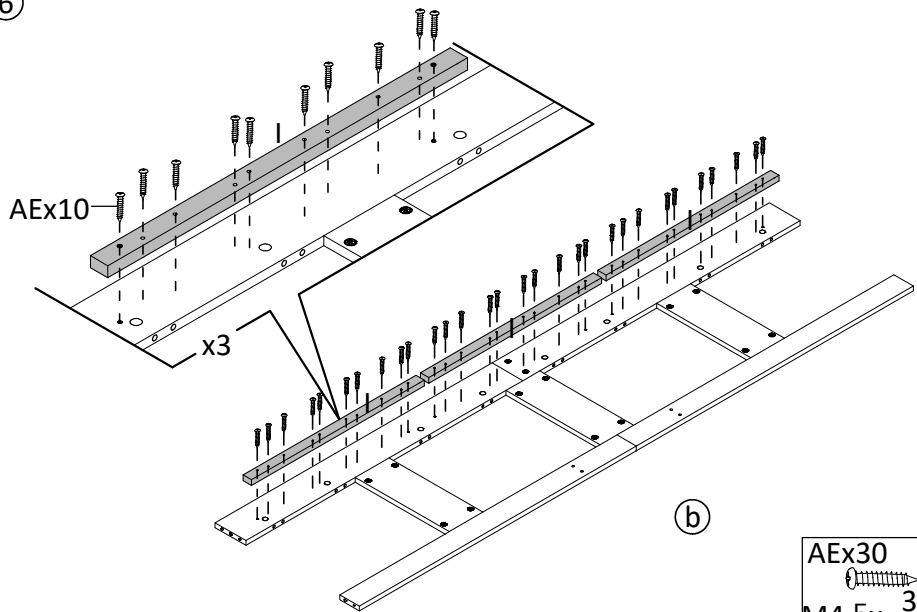
Xx2

Xx2

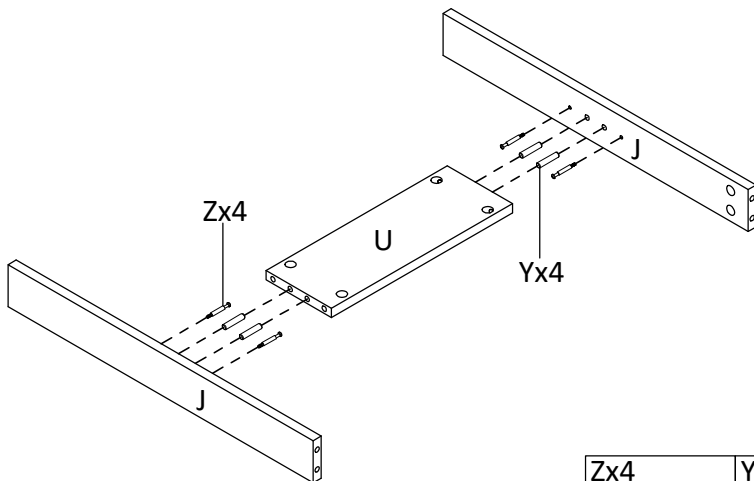


M8x $\frac{50}{2.0}$

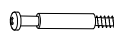
6



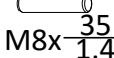
7



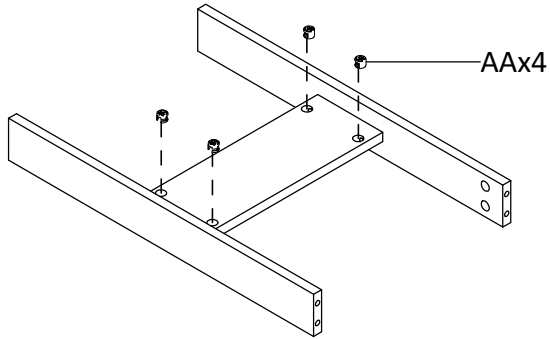
Zx4



Yx4



8

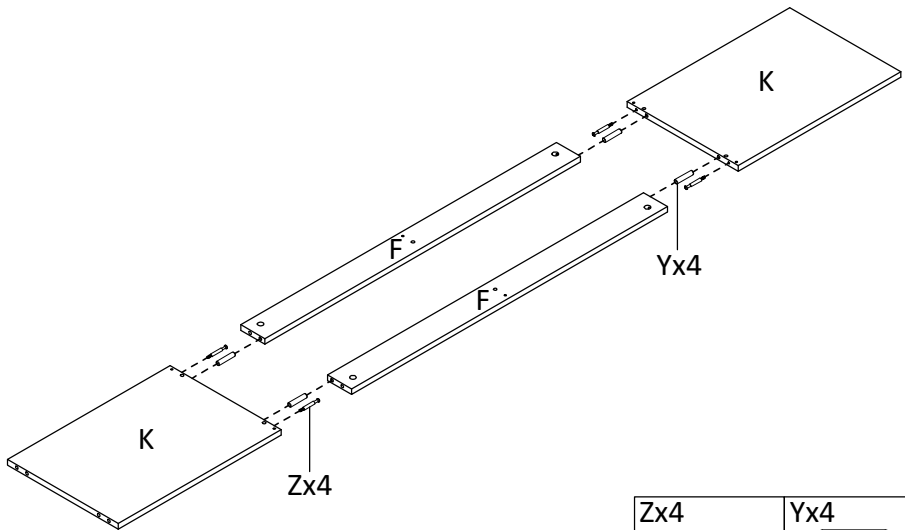


AAx4



C

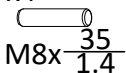
9



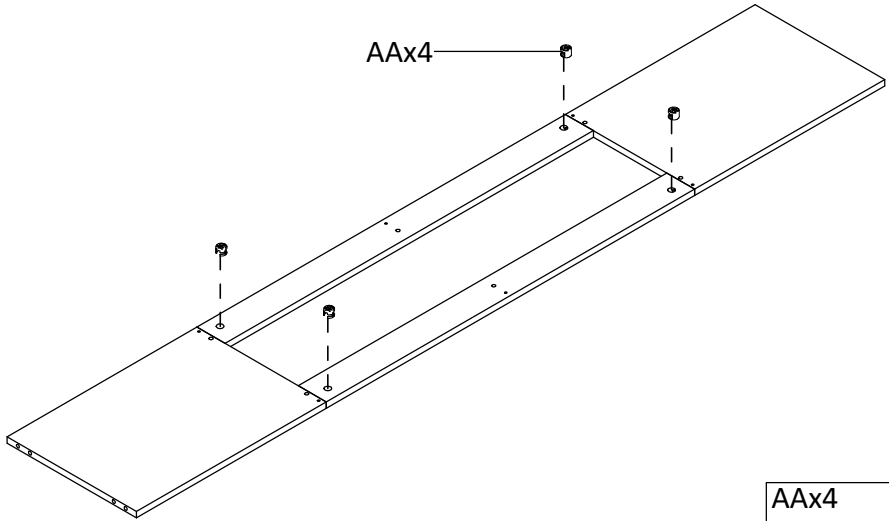
Zx4




Yx4



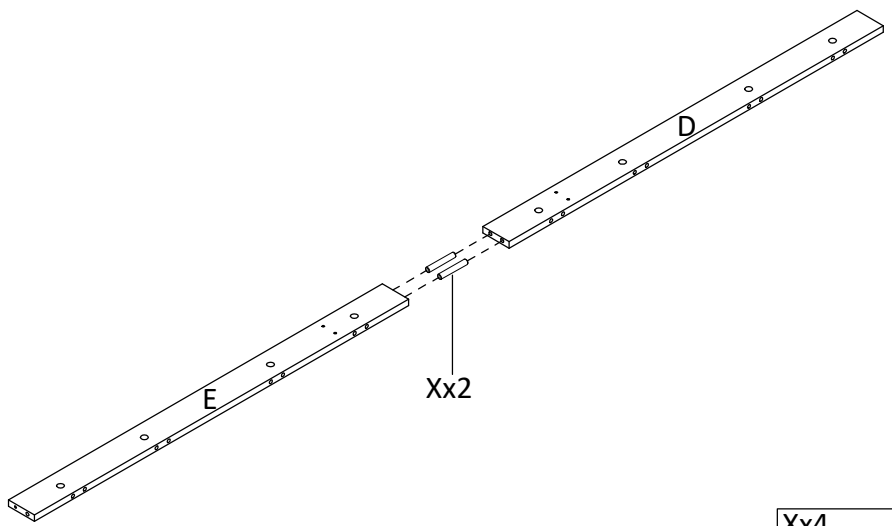
10



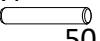
AAx4



11 x2

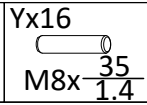
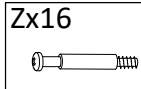
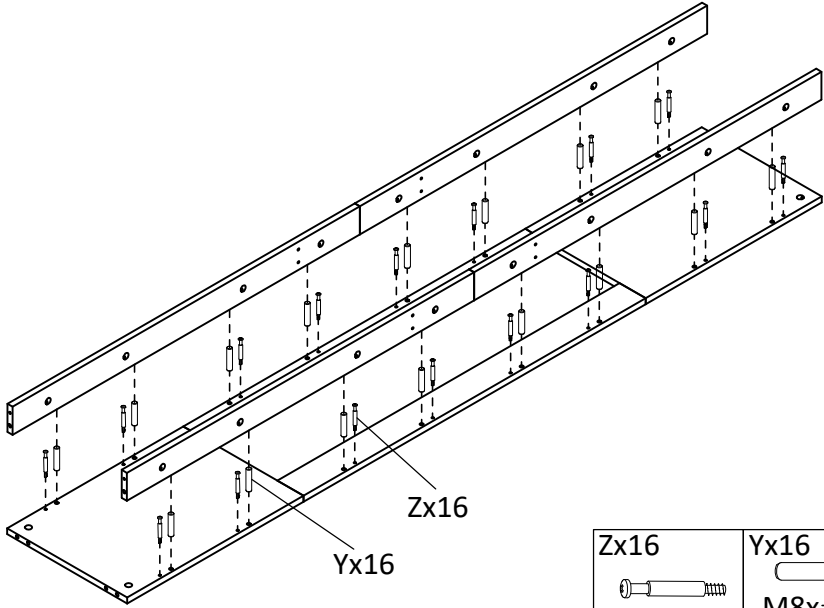


Xx4

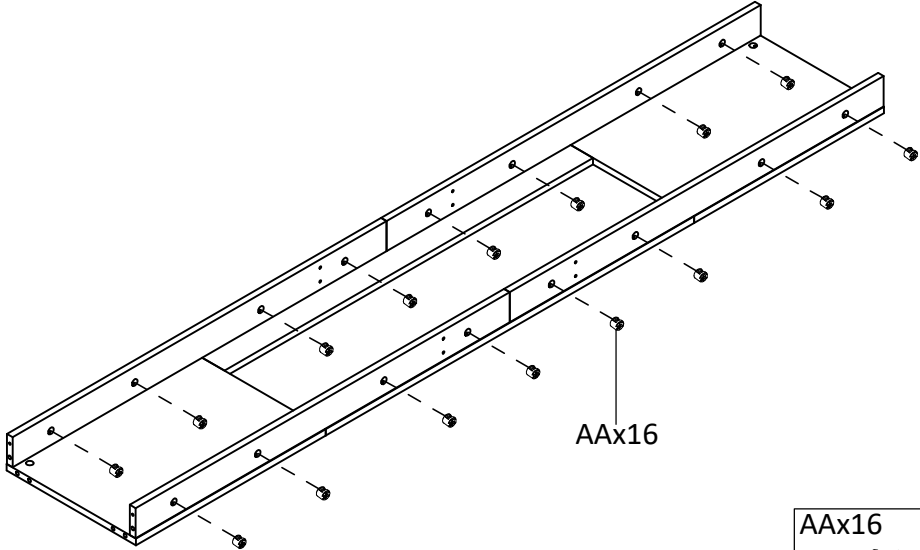


M8x $\frac{50}{2.0}$

12



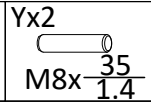
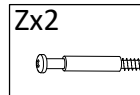
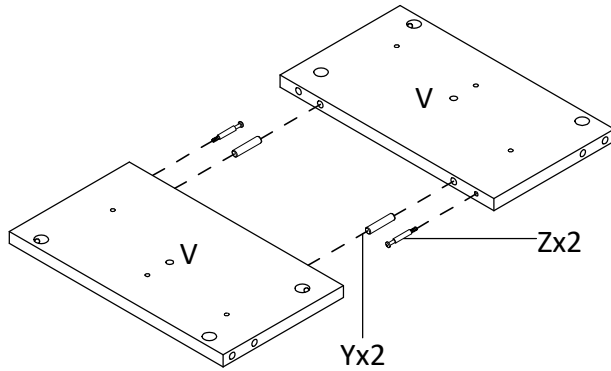
13



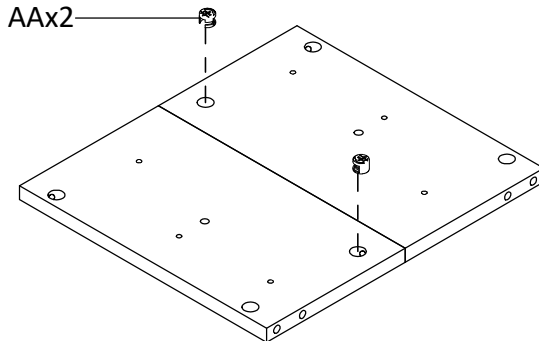
d



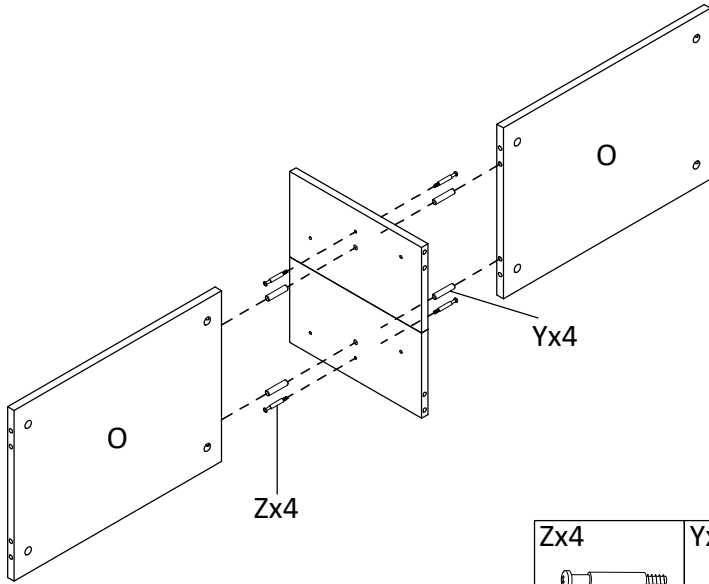
14

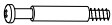
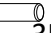


15

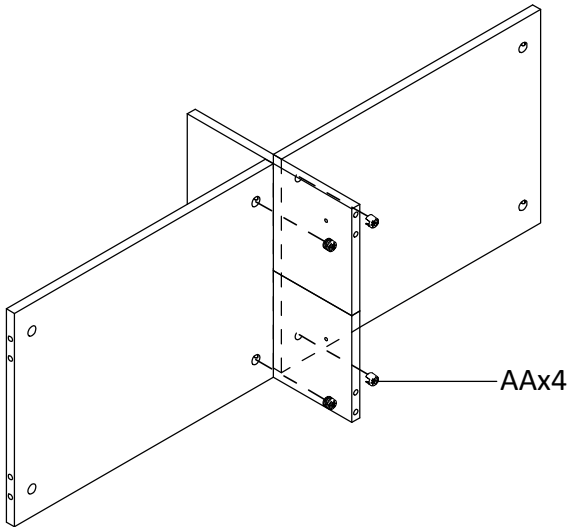



16



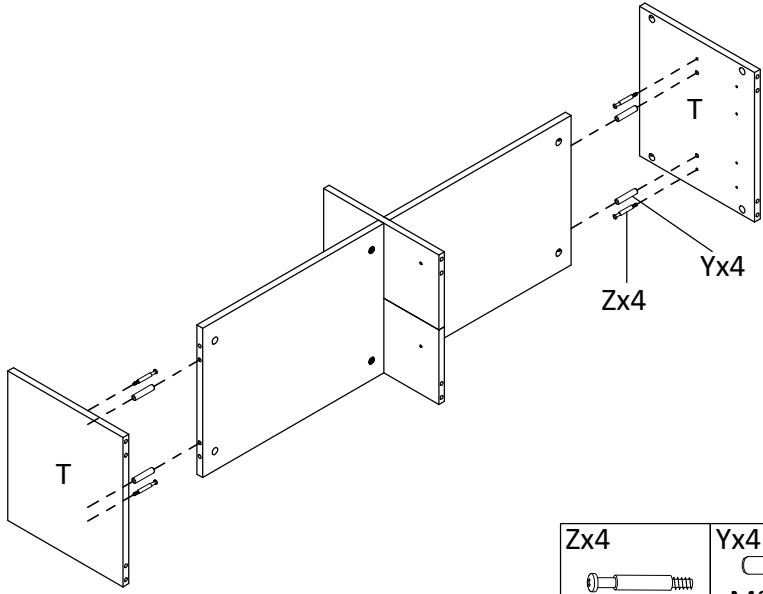
Zx4	Yx4
	
	M8x $\frac{35}{1.4}$

17

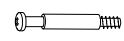


AAx4


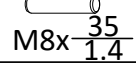
18



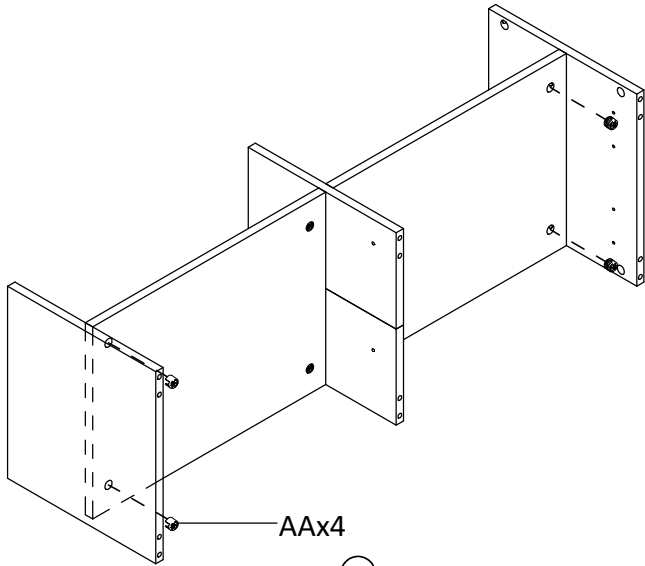
Zx4



Yx4



19



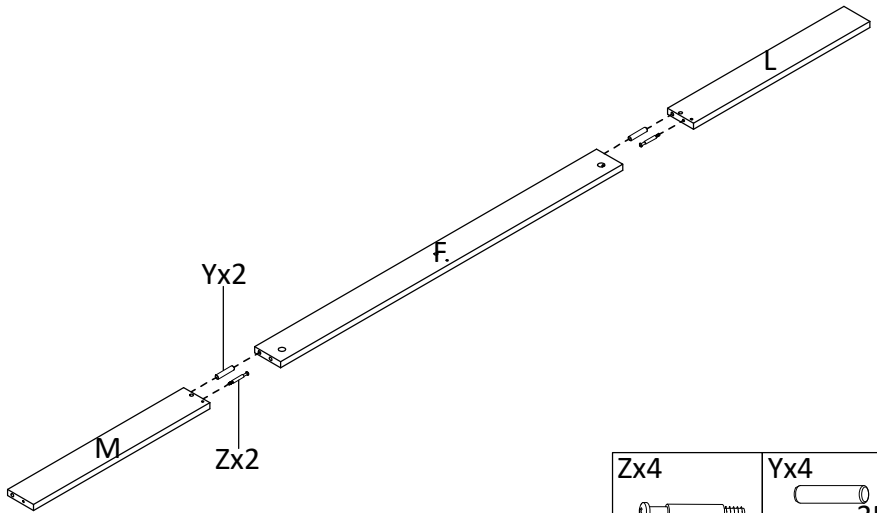
Ax4

e

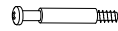
Ax4



20 x2



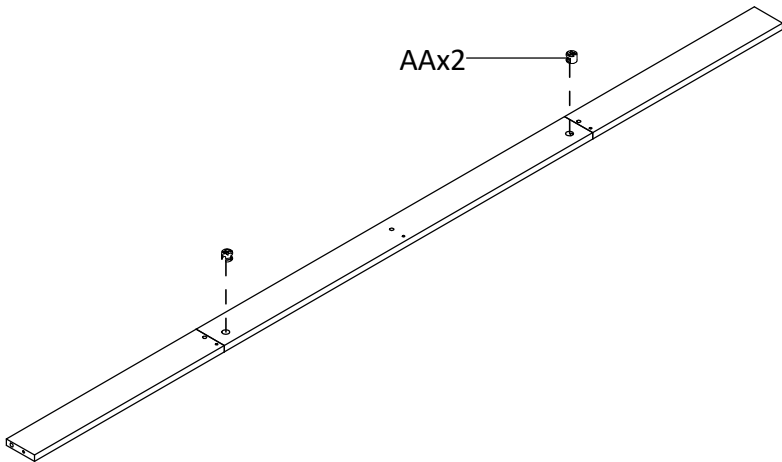
Zx4



Yx4

M8x $\frac{35}{1.4}$

21 x2



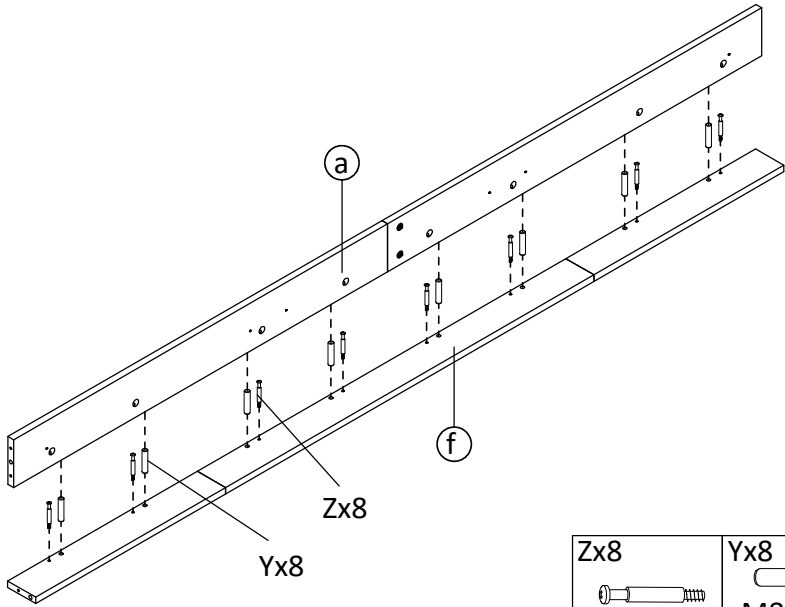
AAx2

AAx4

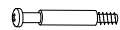


f

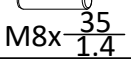
22



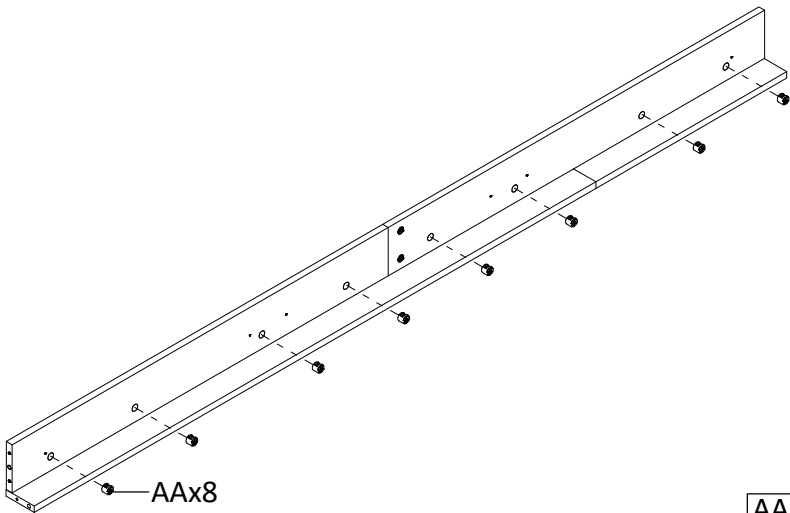
Zx8



Yx8



23

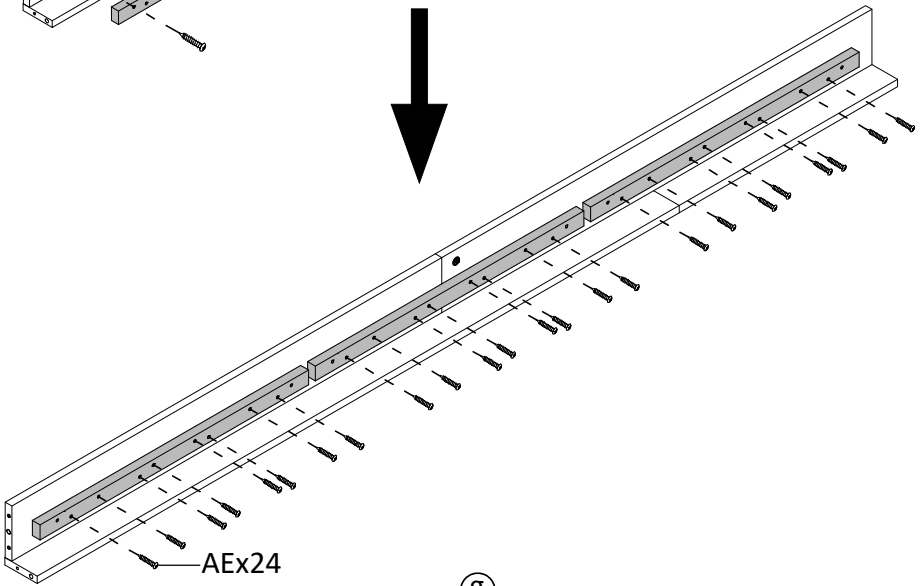
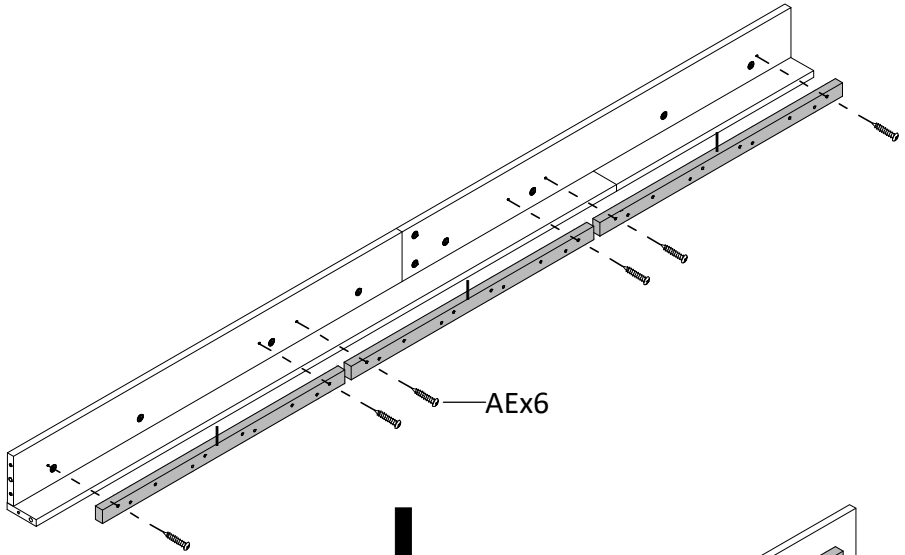


AAx8

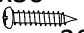
AAx8



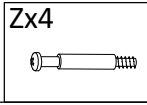
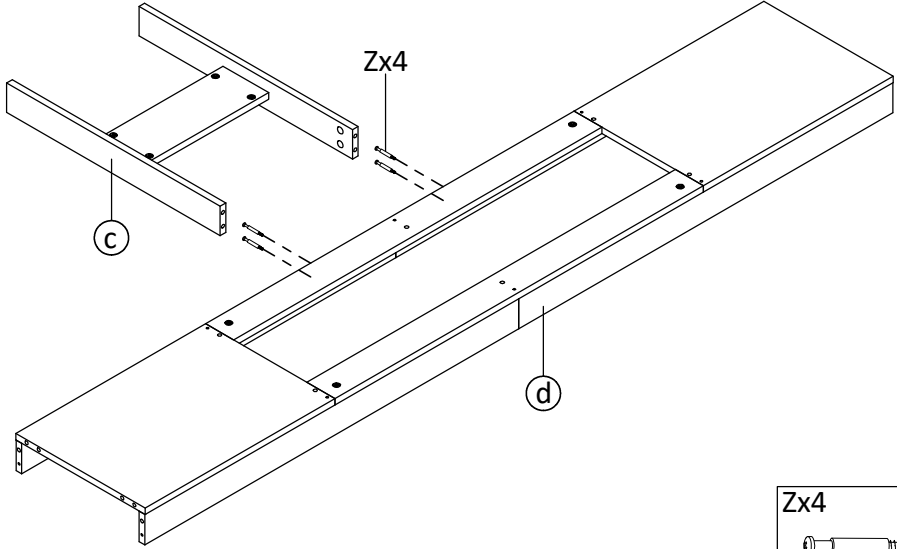
24



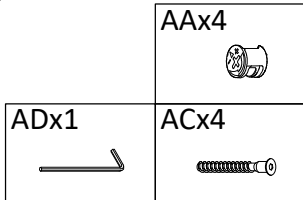
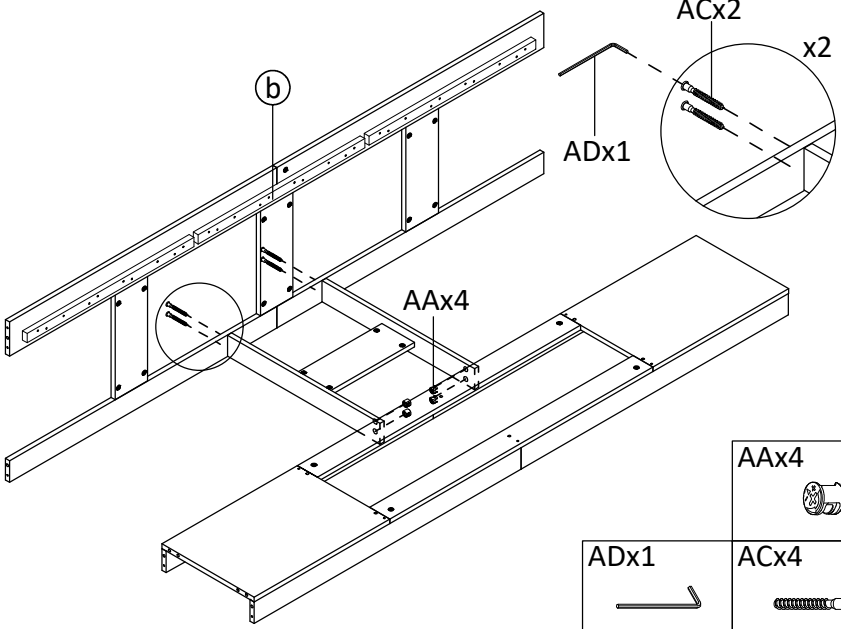
g

AEx30

M4.5x $\frac{30}{1.2}$

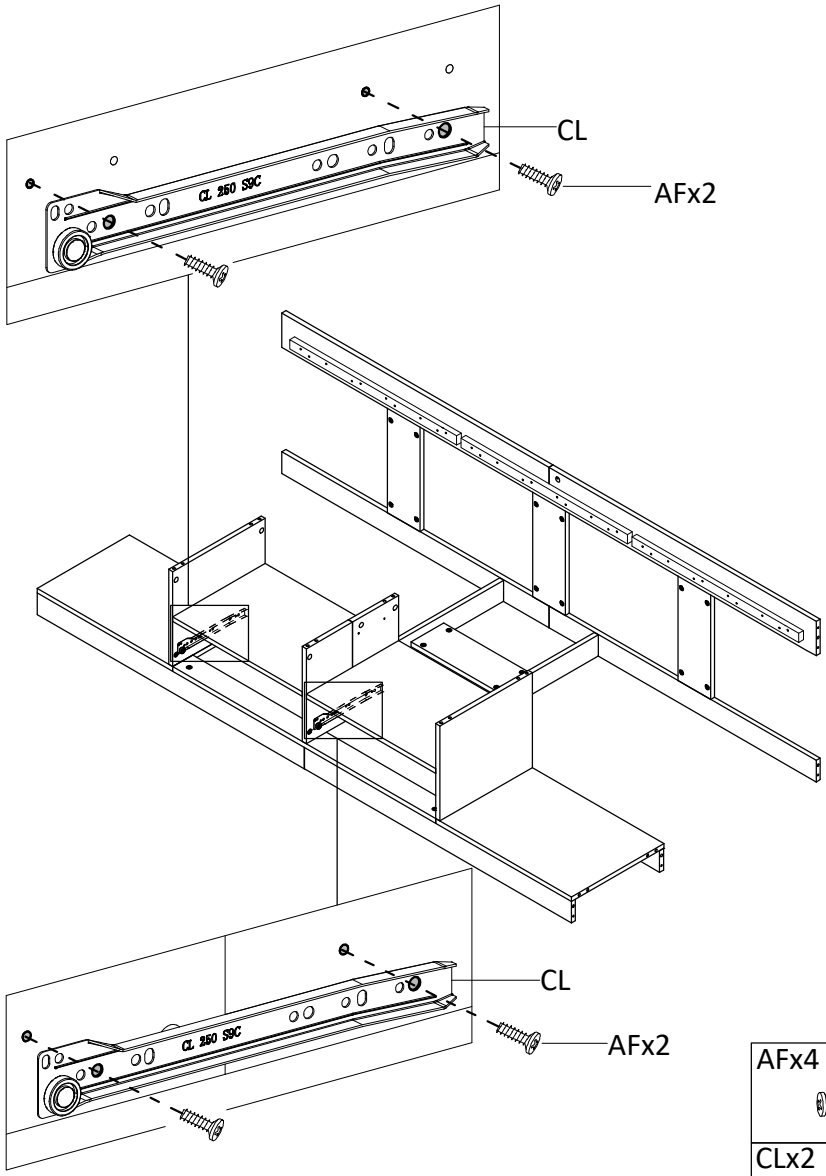
25





26

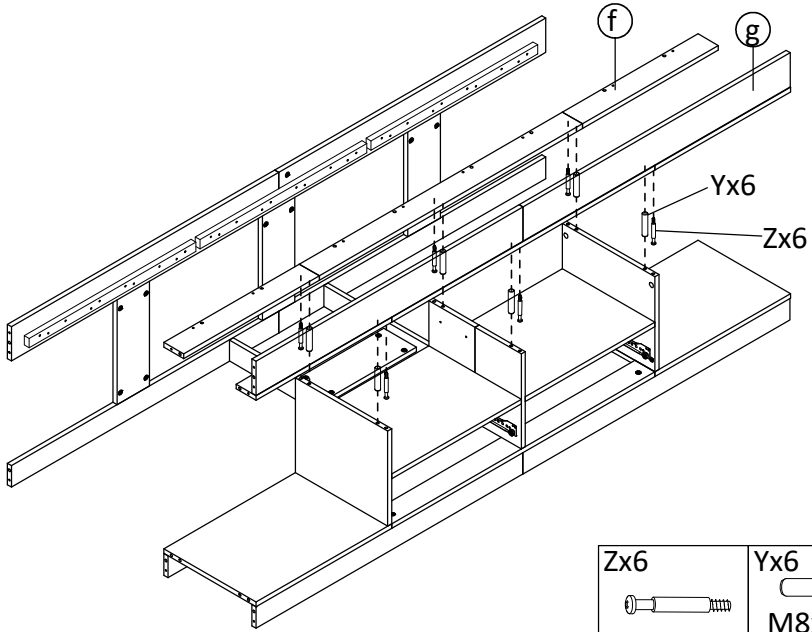


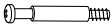
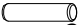
30



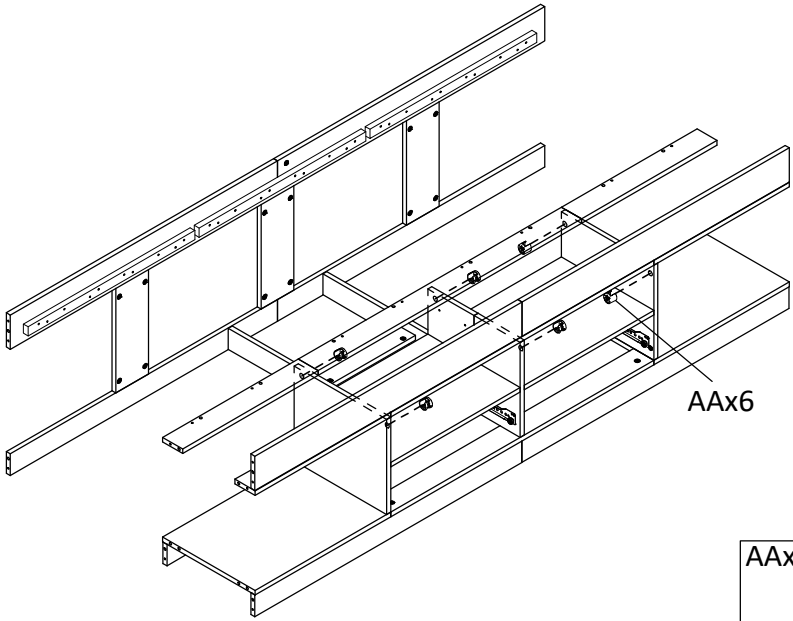
AFx4	
CLx2	

31



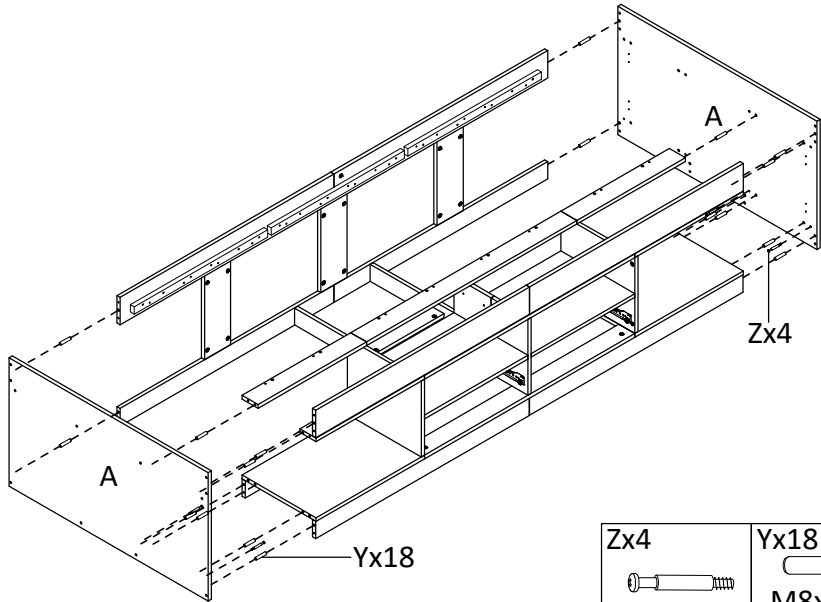
Zx6	Yx6
	
	M8x $\frac{35}{1.4}$

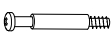
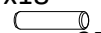
32



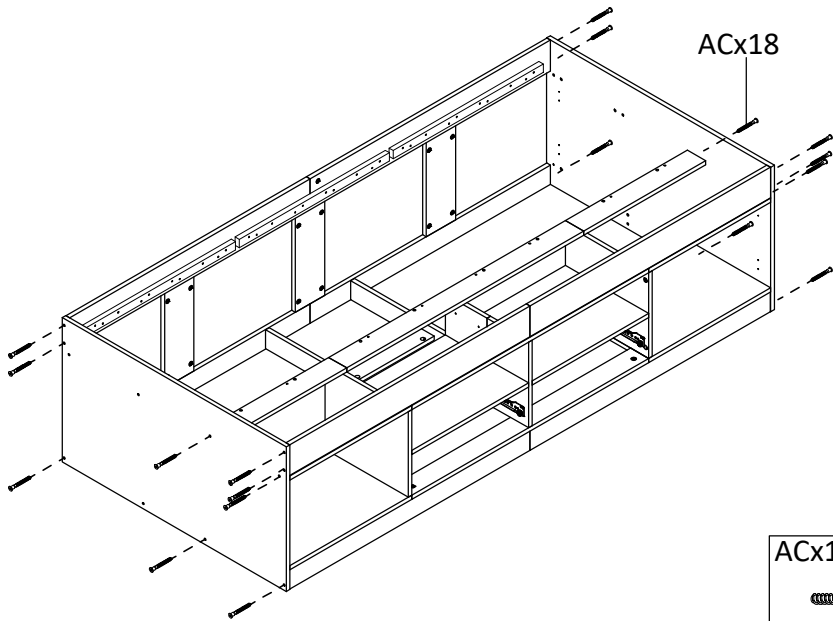
AAx6



33



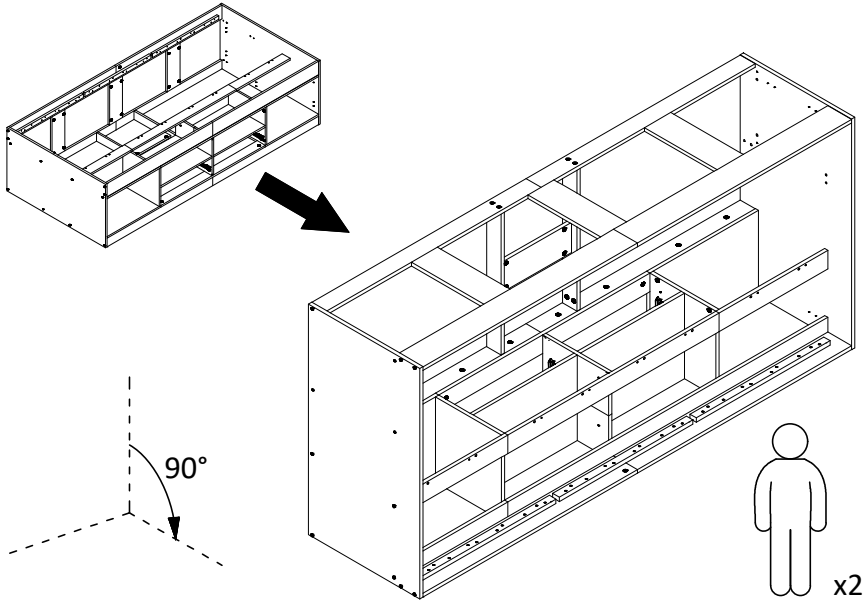
Zx4	Yx18
	
	M8x $\frac{35}{1.4}$

34

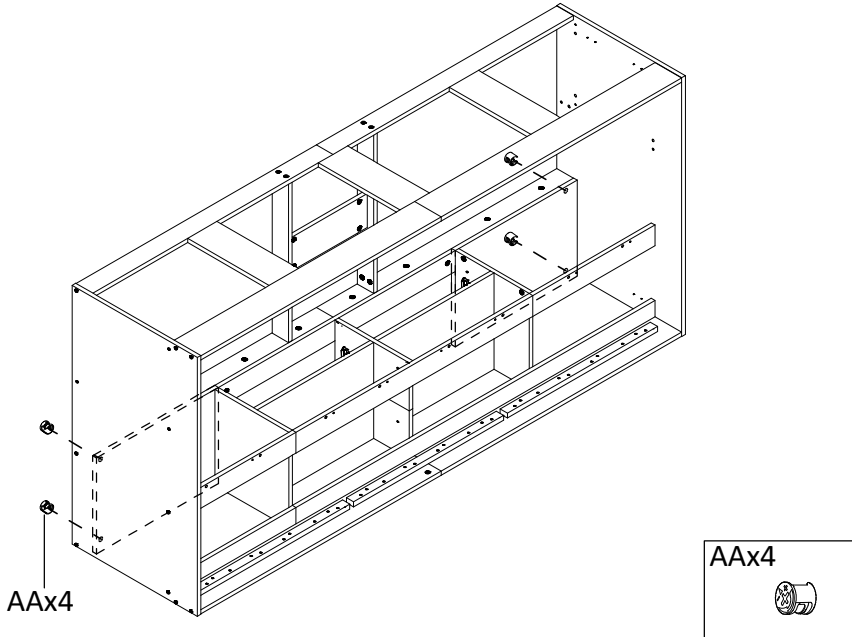


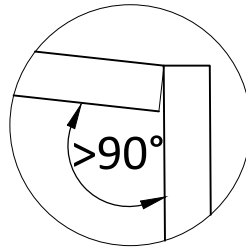
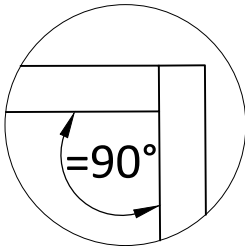
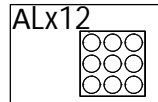
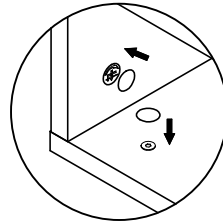
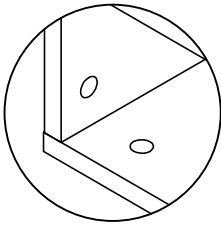
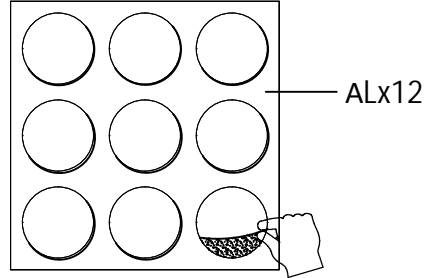
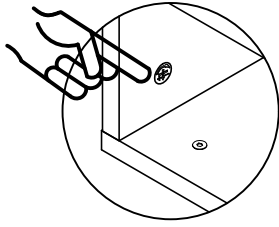
ACx18


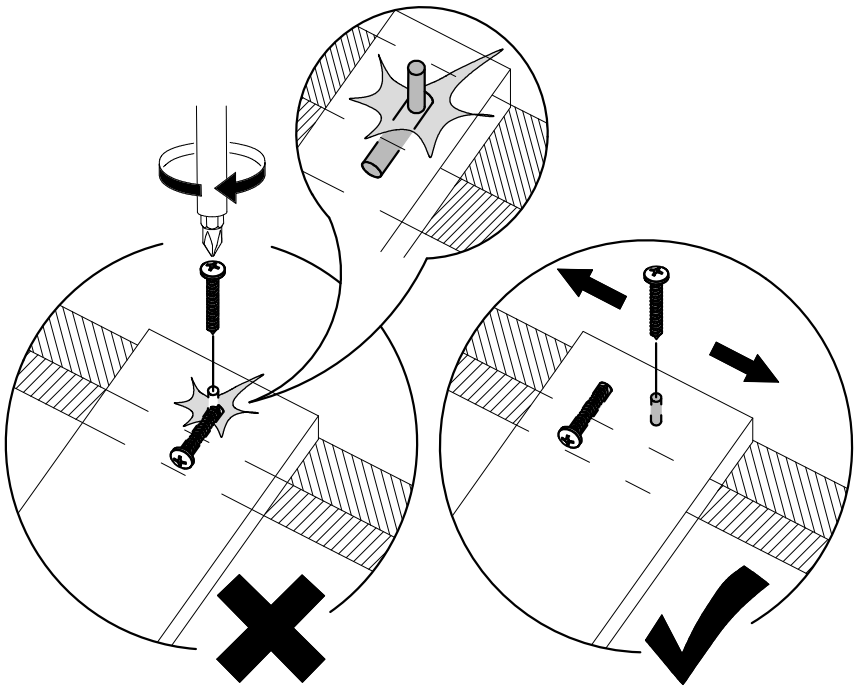
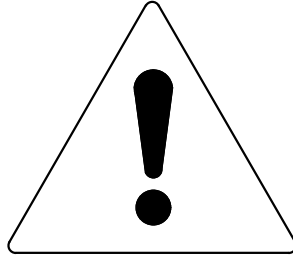
35



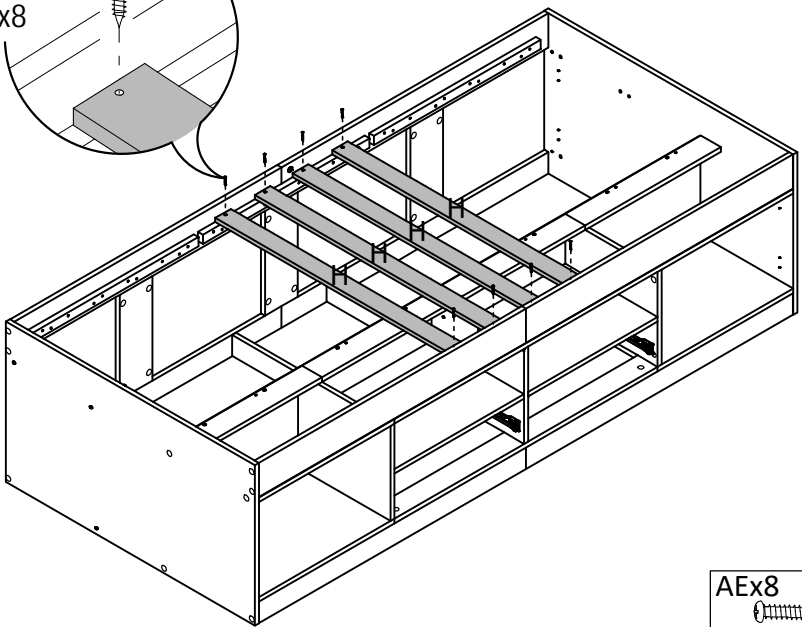
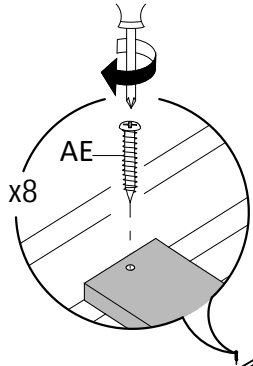
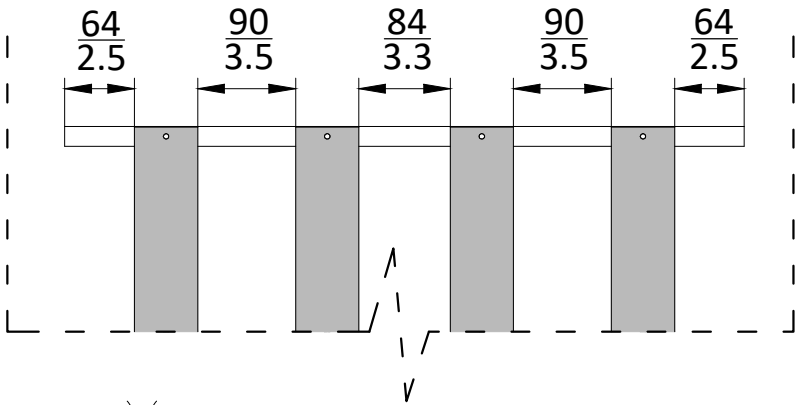
36





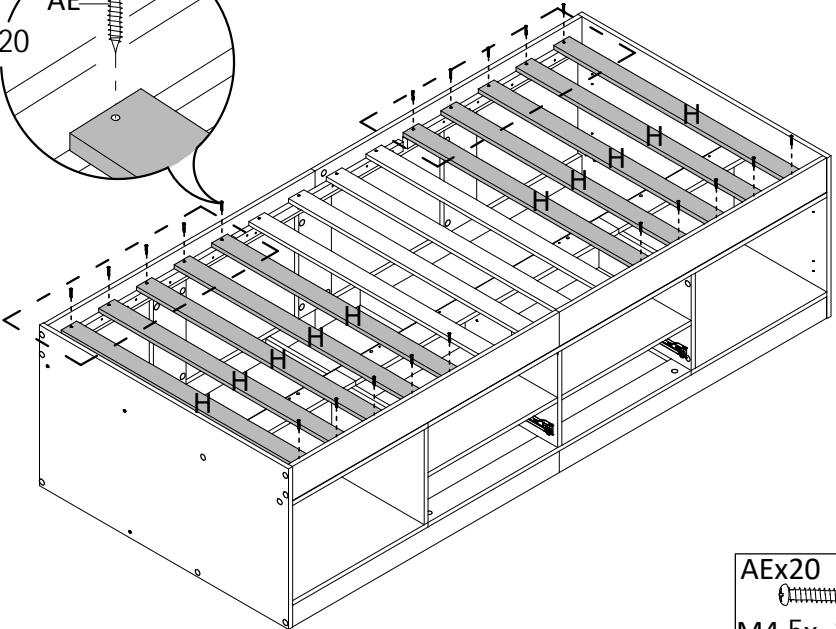
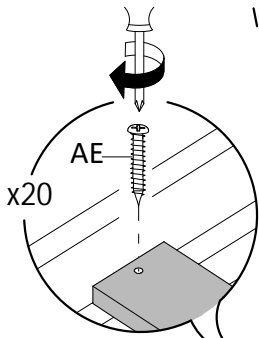
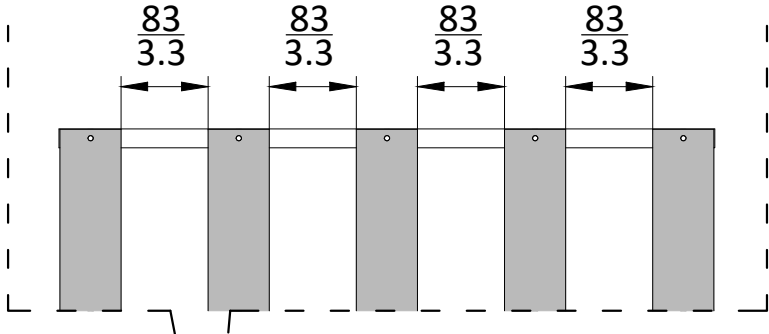


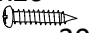
39



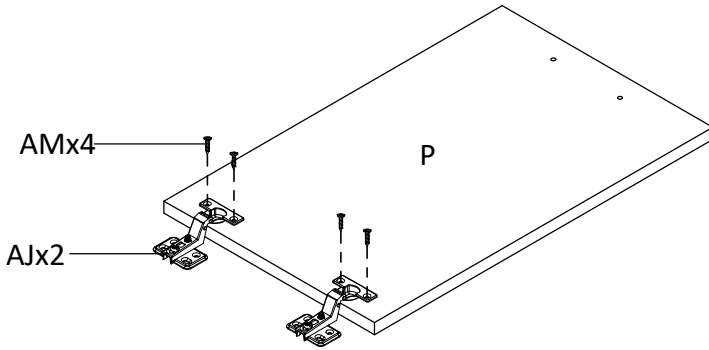
AEx8
M4.5x $\frac{30}{1.2}$

40



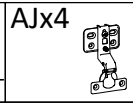
AEx20

M4.5x $\frac{30}{1.2}$

41 x2

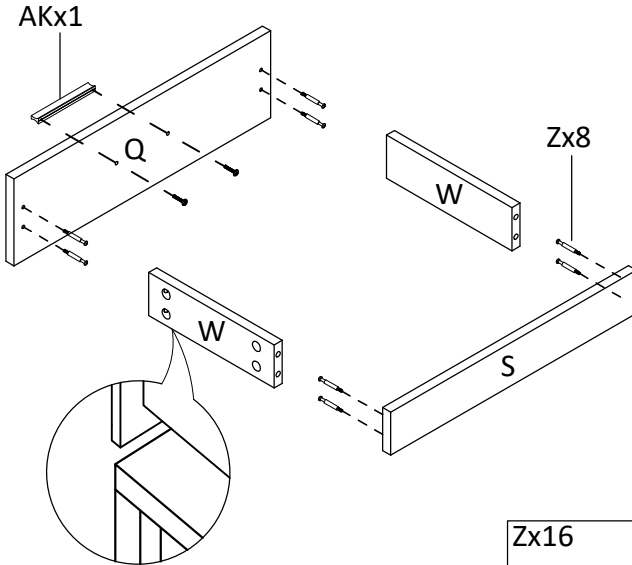


(h)

AMx8
M3.5x $\frac{15}{0.6}$



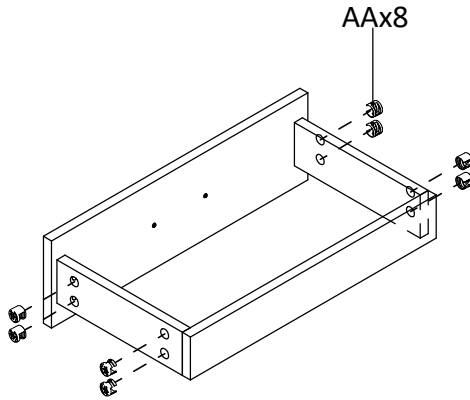
42 x2



Zx16



43 x2



AAx16



DMV00209

$$a = \frac{157.5}{6.2}$$

DMV002001

$$a = \frac{157.5}{6.2}$$

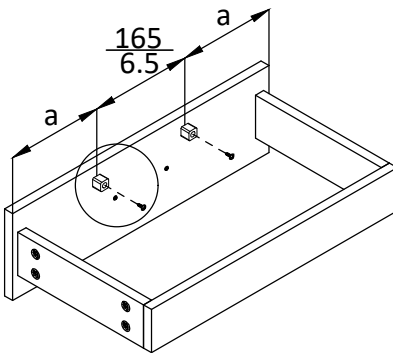
DMV09109

$$a = \frac{145}{5.7}$$

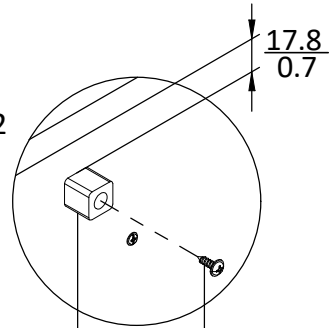
DMV09157

$$a = \frac{145}{5.7}$$

44 x2



x2



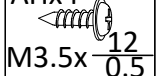
Alx1

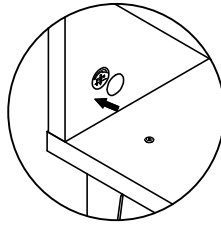
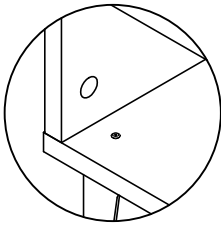
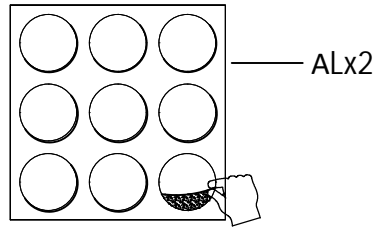
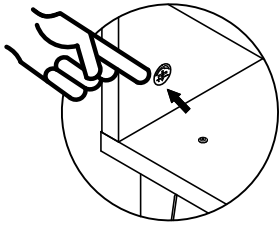
AHx1

Alx4



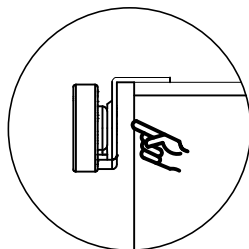
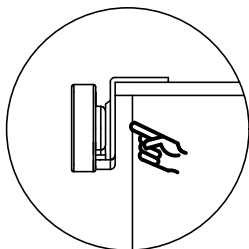
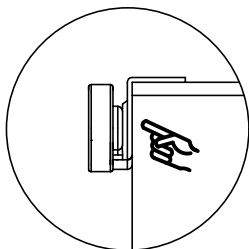
AHx4



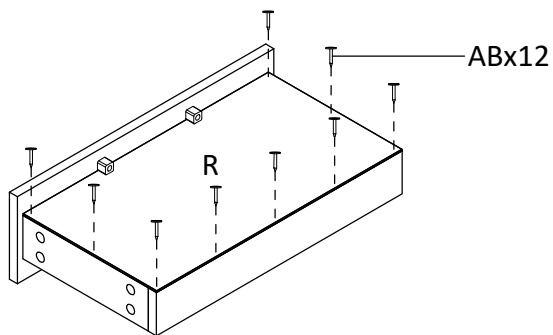


ALx2





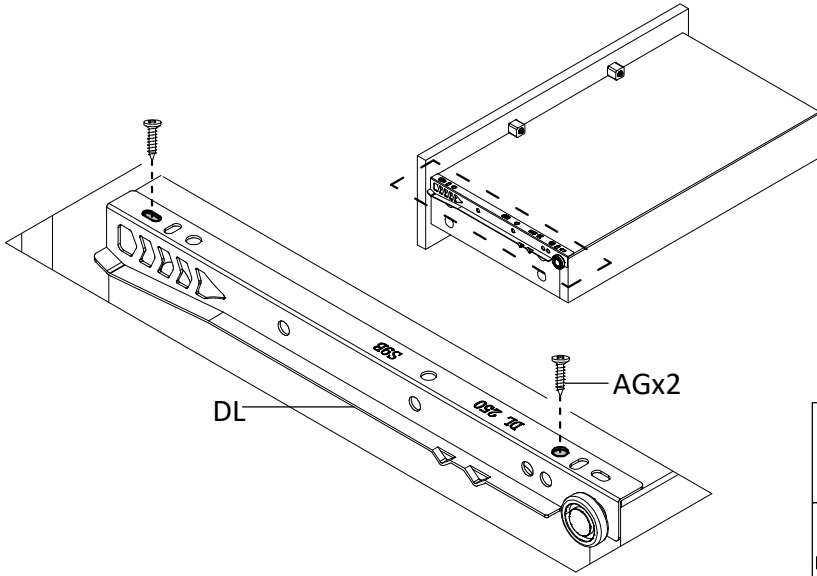
④5x2

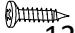



ABx24

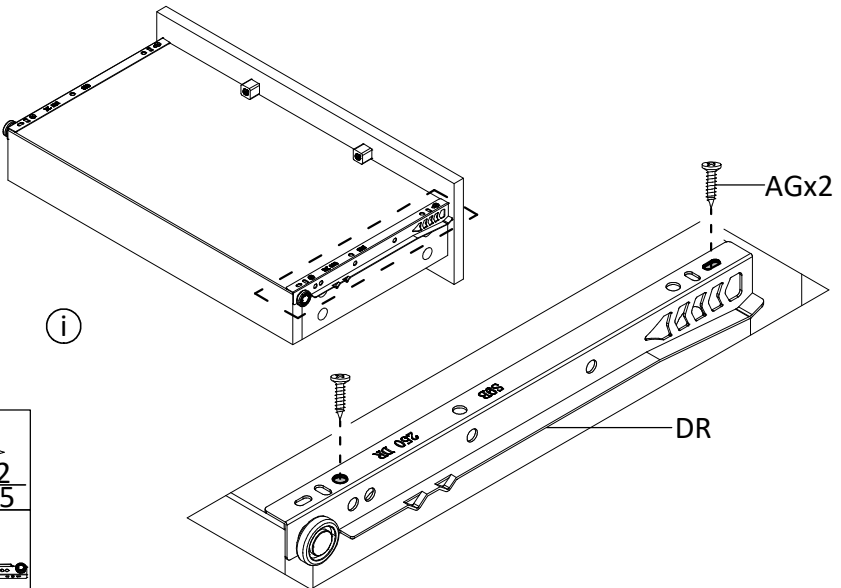


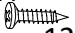

46 x2

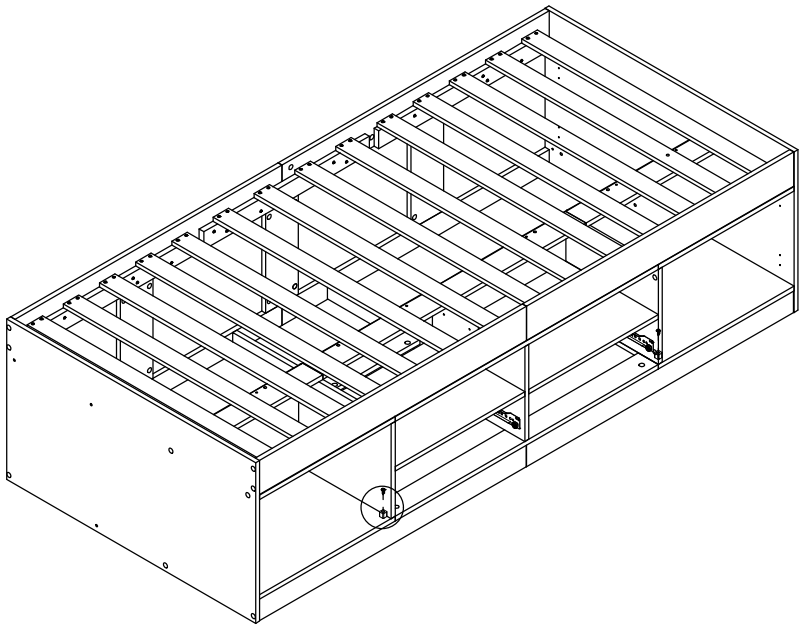
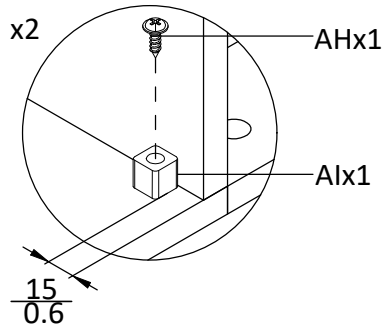



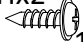
AGx4

M3.5x $\frac{12}{0.5}$
DLx2


47 x2

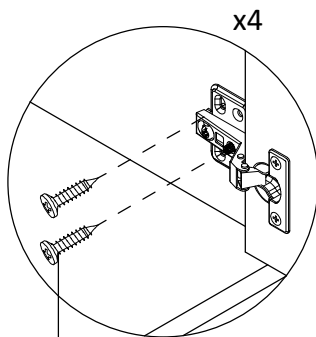


AGx4

M3.5x $\frac{12}{0.5}$
DRx2


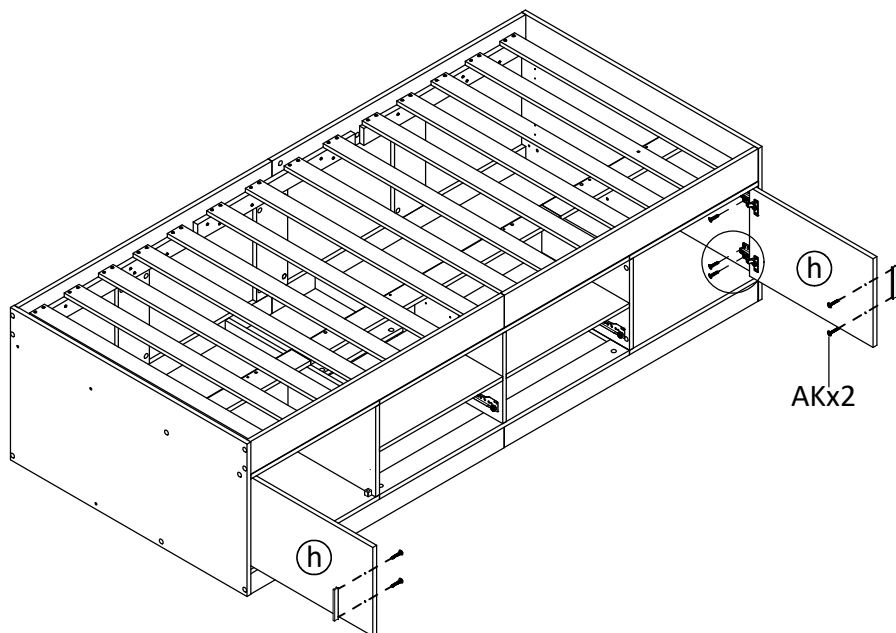


Alx2 	AHx2  M3.5x $\frac{12}{0.5}$
---	--

49



AMx2

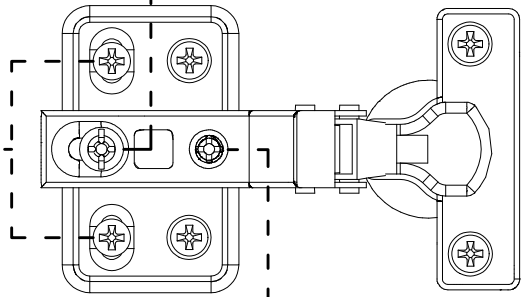
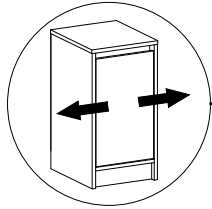
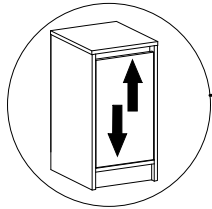
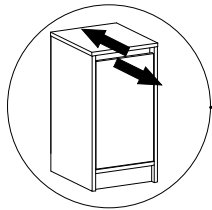


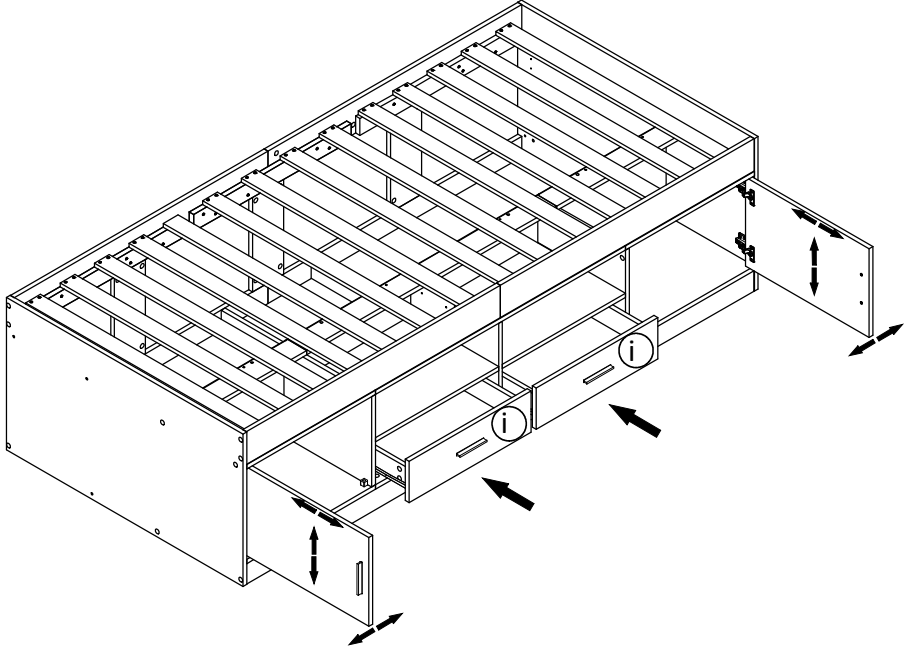
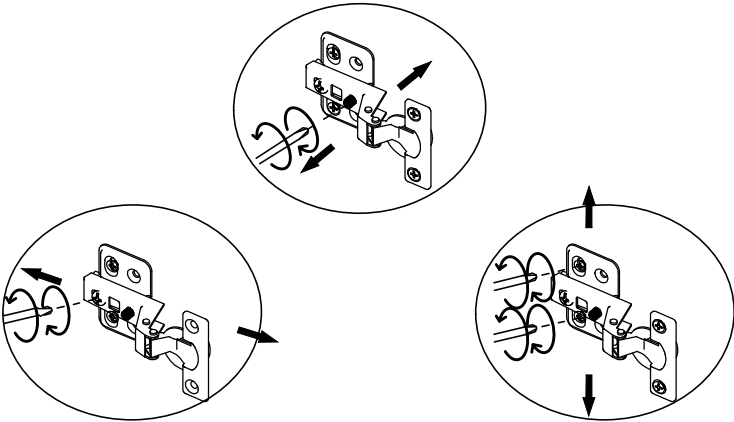
AKx2



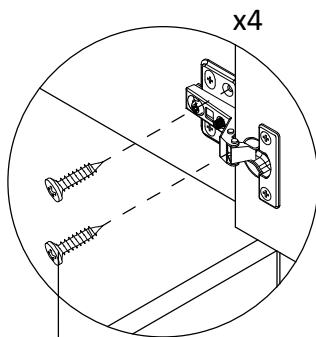
AMx8

M3.5x $\frac{15}{0.6}$



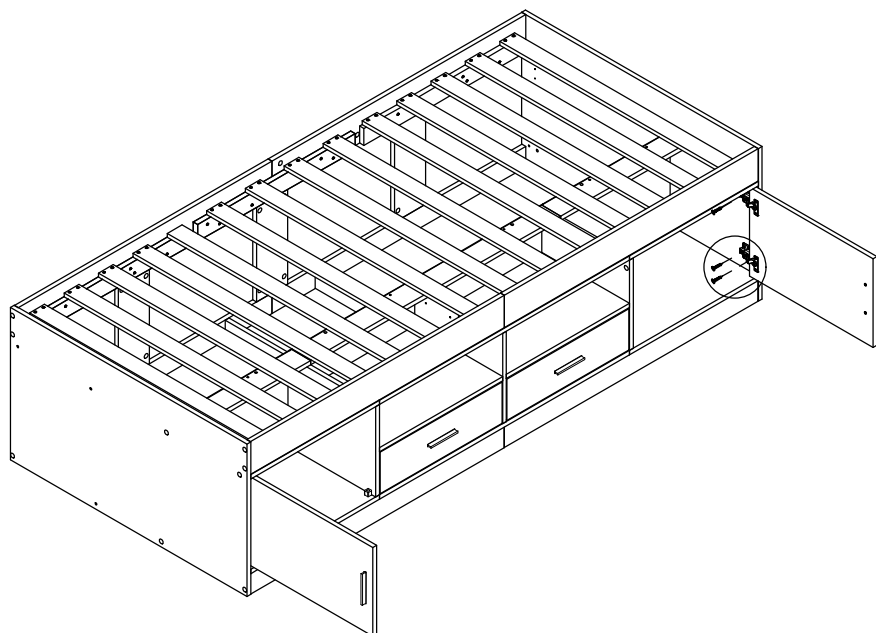


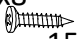
51



x4

AMx2



AMx8

M3.5x $\frac{15}{0.6}$

