

ASSEMBLY INSTRUCTIONS



ASSEMBLY INSTRUCTIONS

ASSEMBLY TIPS:

1. Remove hardware from box and sort by size.
2. Please check to see that all hardware and parts are present prior to start of assembly.
3. Please follow attached instructions in the same sequence as numbered to assure fast & easy assembly.



WARNING!

1. Don't attempt to repair or modify parts that are broken or defective. Please contact the store immediately.
2. This product is for home use only and not intended for commercial establishments.



ASSEMBLY TIME

20 MINUTES

PARTS IDENTIFICATION

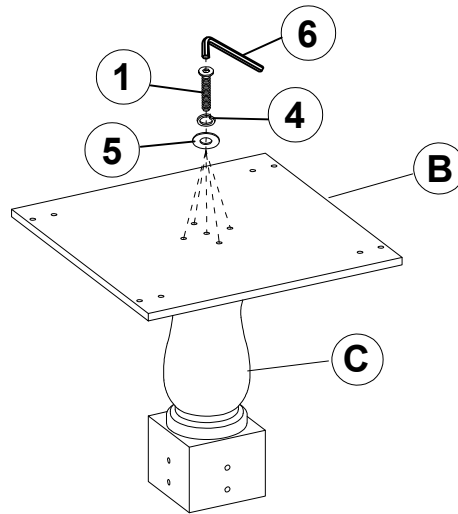
A TOP		1 PC	D LEG		4PCS
B MOUNTING PLATE		1 PC	E LEAF		1PC
C PEDESTAL COLUMN		1 PC			

HARDWARE IDENTIFICATION

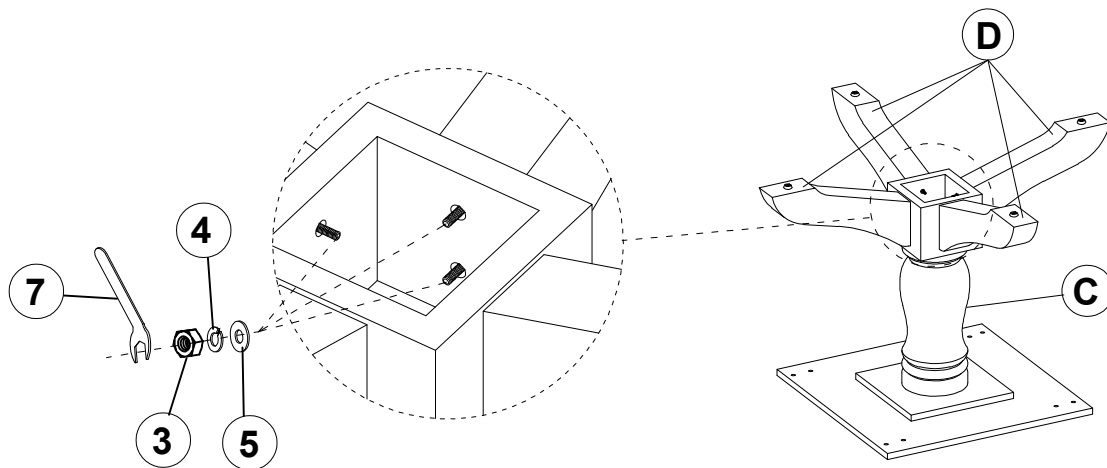
1 LONG BOLT (Ø5/16" x 63mm - RBW)		5 PCS	5 FLAT WASHER (Ø5/16" x 2mm - RBW)		21PCS
2 SHORT BOLT (Ø5/16" x 38mm - RBW)		8 PCS	6 ALLEN WRENCH (4 x 60mm - RBW)		1 PC
3 HEX NUT (Ø5/16" x 12mm - RBW)		8 PCS	7 WRENCH (12mm - RBW)		1 PC
4 LOCK WASHER (Ø5/16" x 2mm - RBW)		21PCS			

ASSEMBLY INSTRUCTIONS

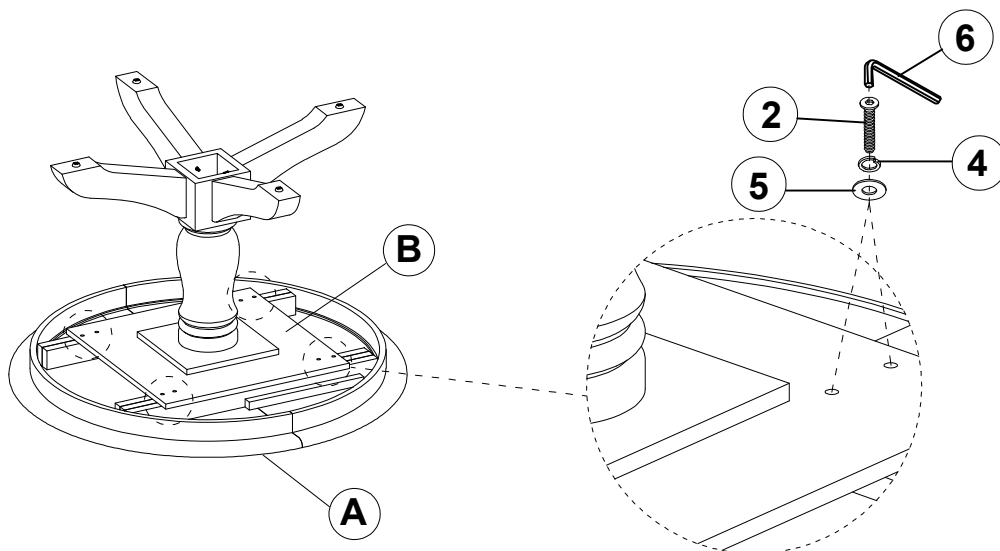
STEP 1



STEP 2

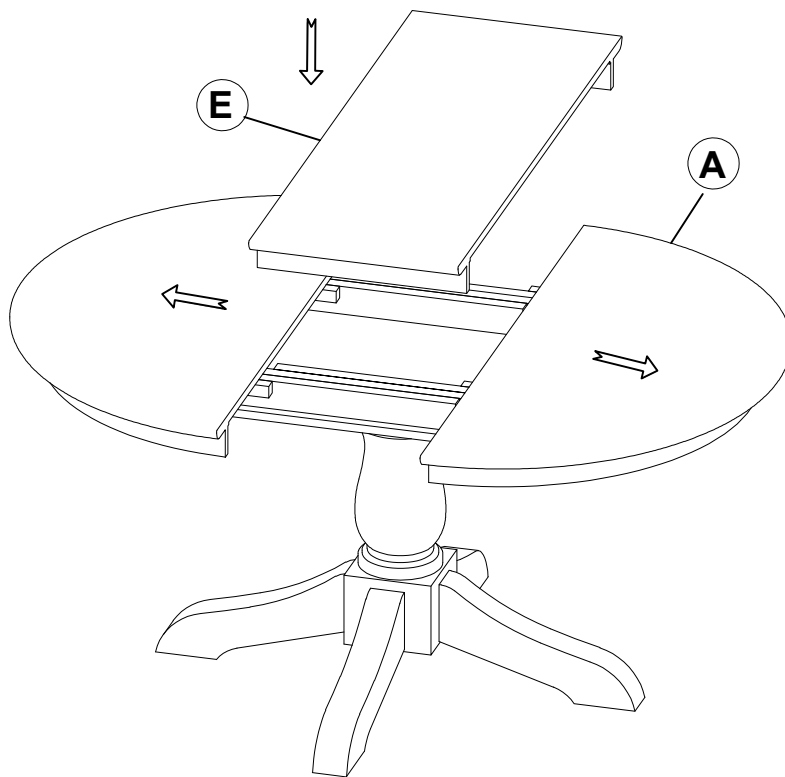


STEP 3

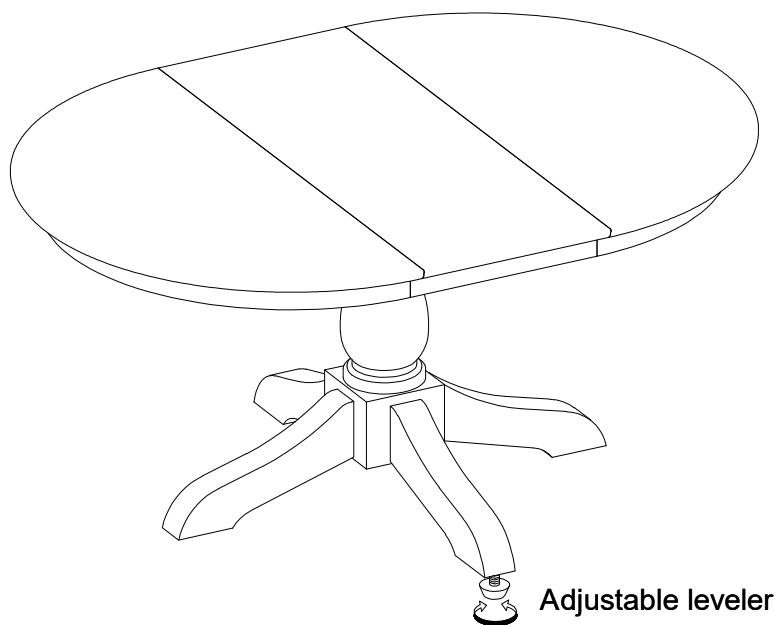


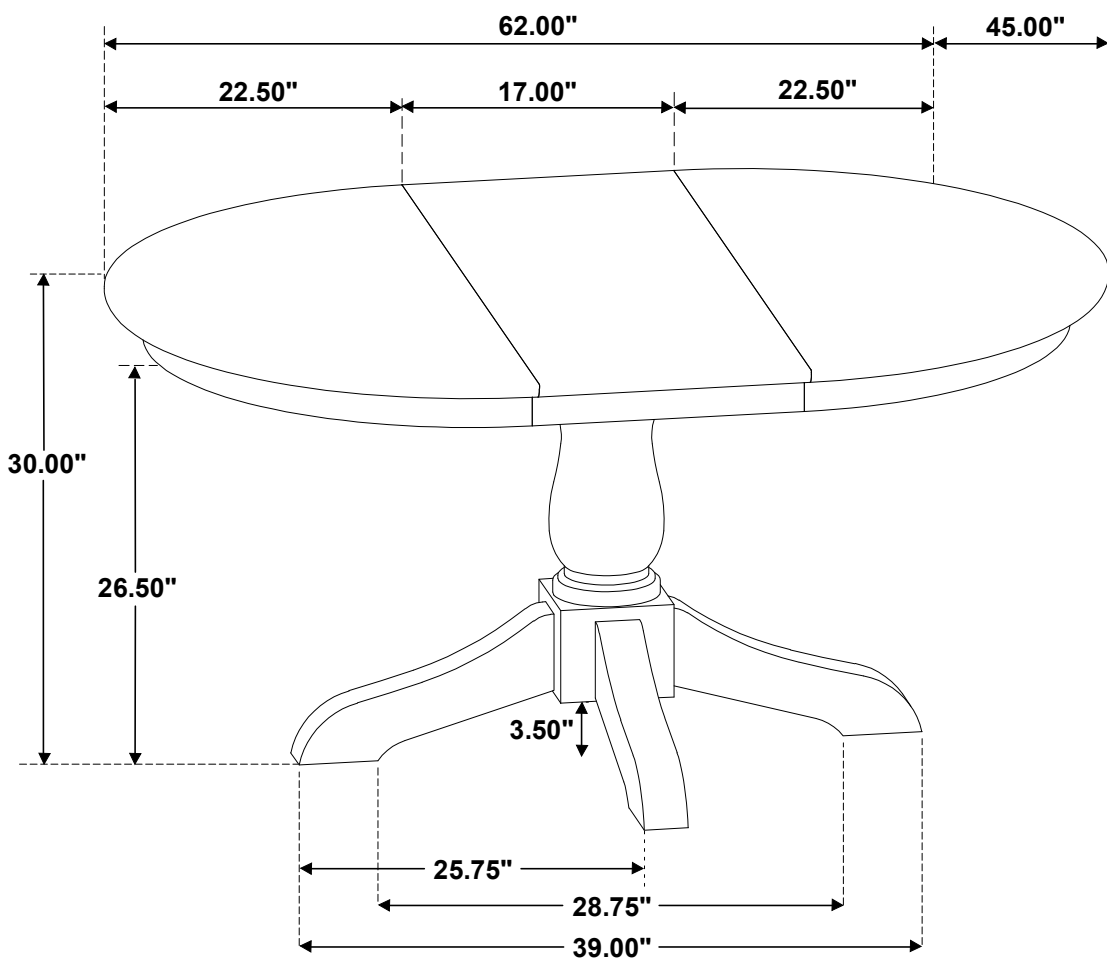
ASSEMBLY INSTRUCTIONS

STEP 4



STEP 5 COMPLETE





Note: Dimension tolerance $\pm 5\%$