

# Assembly Instruction

Assembly Instructions -Please keep for future reference



## Dimensions

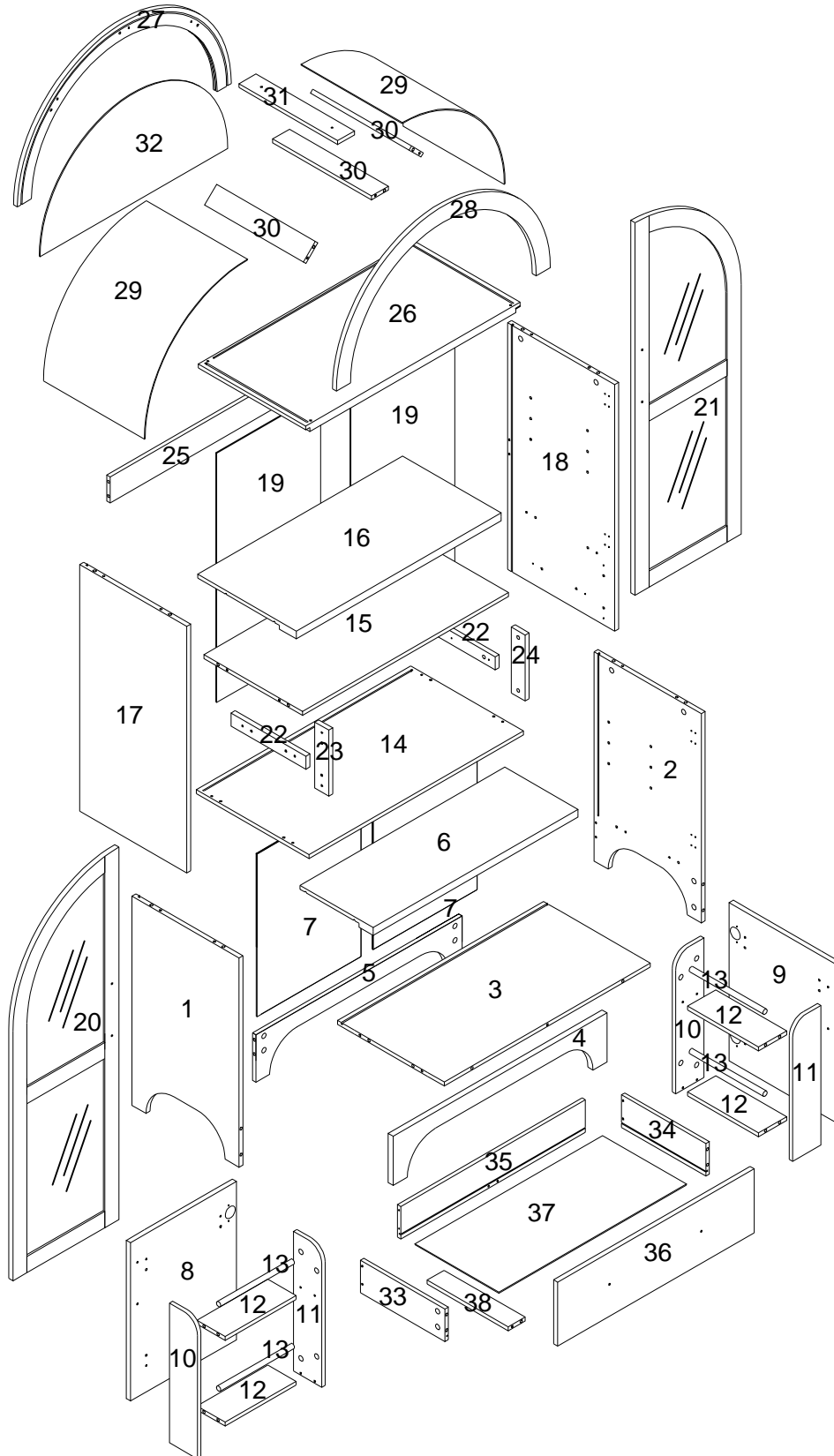
Width-30inch

Depth-15.7inch

Height-71.1inch

 <b>WARNING</b>	
	This product is NOT a Clothing Storage Unit (CSU).
	DO NOT use it for clothing storage.
	Improper use may cause furniture tipover.

# Assembly Instruction



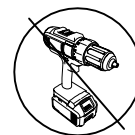


## Safety and Care Advice

**Important - Please read these instructions fully before starting assembly**

- . Check you have all the components and tools listed on the following pages.
- . Remove all fittings from the plastic bags and separate them into their groups.
- . Keep children and animals away from the work area, small parts could choke if swallowed.
- . Make sure you have enough space to layout the parts before starting.

- . During assembly do not stand or put weight on the product, this could cause damage.
- . Assemble the item as close to its final position (in the same room) as possible.
- . Assemble on a soft level surface to avoid damaging the unit or your floor.
- . Parts of the assembly will be easier with 2 people.



power drill is set on a low torque setting.

- . To reduce the likelihood of damaging your product please ensure that your

### Care and maintenance

. Only clean using a damp cloth and mild detergent, do not use bleach or abrasive cleaners.

. From time to time check that there are no loose screws on this unit.

. This product should not be discarded with household waste. Take to your local authority waste disposal centre.

### Handy Hints

. Assemble all parts and bolts loosely during assembly, only once the product is complete should you fully tighten the bolts.

. Regularly check and ensure That all bolts and fittings are tightend properly.

### **WARNING**

**In order to help prevent overturning - please follow these Instructions**

To help prevent product toppling over please follow the below steps:-

Use the anti tip stap or wall fixing method provided (if applicable)

Do not allow children to climb or hang on the furniture

Do not open more than one drawer at a time

Do not place heavy items in the top drawers

Do not place heavy items on top of the furniture, unless the furniture has been designed for this purpose

Please note that only the anti tip strap is provided.

You will need to provide wall plugs and screws applicable for your wall type

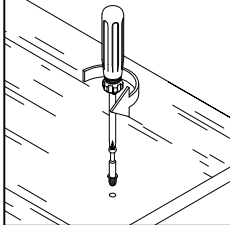
# Using Camlocks

## Step 1

Connect the male camlock as directed in the assembly instructions using a screwdriver.

1

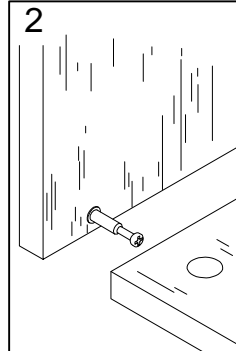
DO NOT OVER TIGHTEN.  
NE PAS SERRER EXCESSIVEMENT.



## Step 2

Push the male camlock into the entry hole.

2

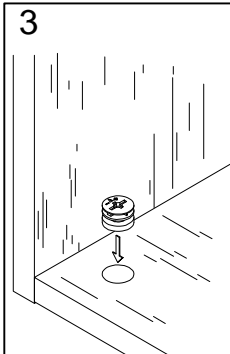


## Step 3

Insert the female camlock as shown in the instruction.

Note: ensure that the arrow on the top of the camlock points towards the entry hole for the male camlock.

3



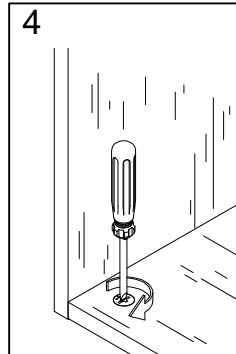
## Step 4

Turn the female camlock clockwise with a screwdriver.

You should feel a click when the camlock is locked in place.

The joint is now secure.

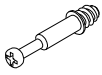



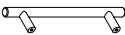

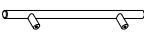
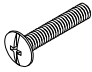
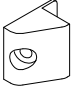
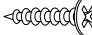





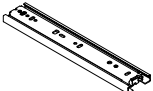
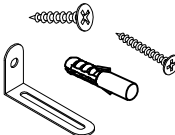
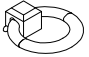


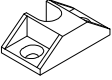
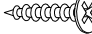
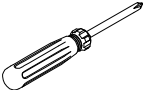
4



# Components -Fittings


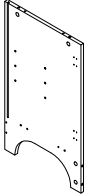
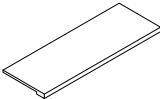
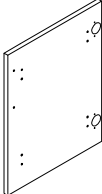
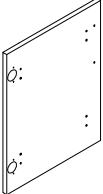
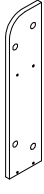

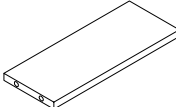
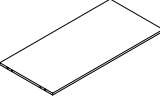

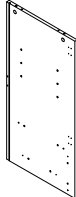

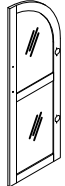
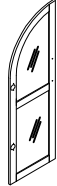

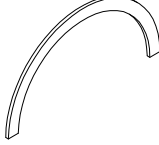
Please check you have all the panels listed below

Note: The quantities below are the correct amount to complete the assembly. in some cases, more fittings may be supplied than required.

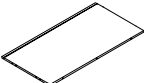
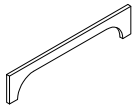
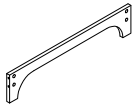
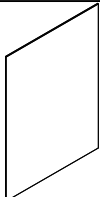

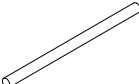
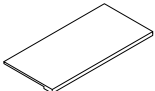
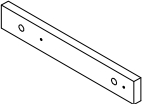


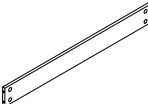
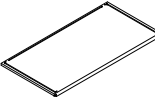
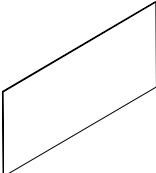
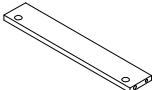
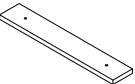
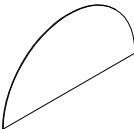
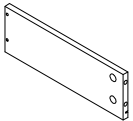
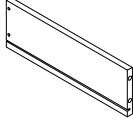

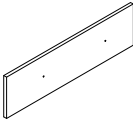
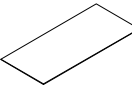
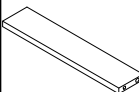
<p>(A)</p>  <p>Ø6x33mm</p> <p>x65pcs</p>	<p>(B)</p>  <p>x65pcs</p>	<p>(C)</p>  <p>Ø4x40mm</p> <p>x8pcs</p>	<p>(D)</p>  <p>Ø3x12mm</p> <p>x10pcs</p>	<p>(E)</p>  <p>150mm</p> <p>x2pcs</p>	<p>(F)</p>  <p>Ø4x15mm</p> <p>x2pcs</p>
<p>(G)</p>  <p>250mm</p> <p>x2pcs</p>	<p>(H)</p>  <p>Ø4x22mm</p> <p>x8pcs</p>	<p>(I)</p>  <p>x8pcs</p>	<p>(J)</p>  <p>Ø3x16mm</p> <p>x8pcs</p>	<p>(K)</p>  <p>Ø6x30mm</p> <p>x36pcs</p>	<p>(L)</p>  <p>Ø4x30mm</p> <p>x6pcs</p>
<p>(M)</p>  <p>x8pcs</p>	<p>(N)</p>  <p>Ø4x14mm</p> <p>x48pcs</p>	<p>(O)</p>  <p>x8pcs</p>	<p>(P)</p>  <p>250mm x2pcs</p>	<p>(Q)</p>  <p>x1set</p>	<p>(R)</p>  <p>x2pcs</p>
<p>(S)</p>  <p>Ø6x20mm</p> <p>x8pcs</p>	<p>(T)</p>  <p>Ø4x20mm</p> <p>x8pcs</p>	<p>(U)</p>  <p>x1pc</p>	<p>(V)</p>  <p>Ø4x28mm</p> <p>x2pcs</p>	<p>(W)</p>  <p>x1pc</p>	

# Assembly Instruction

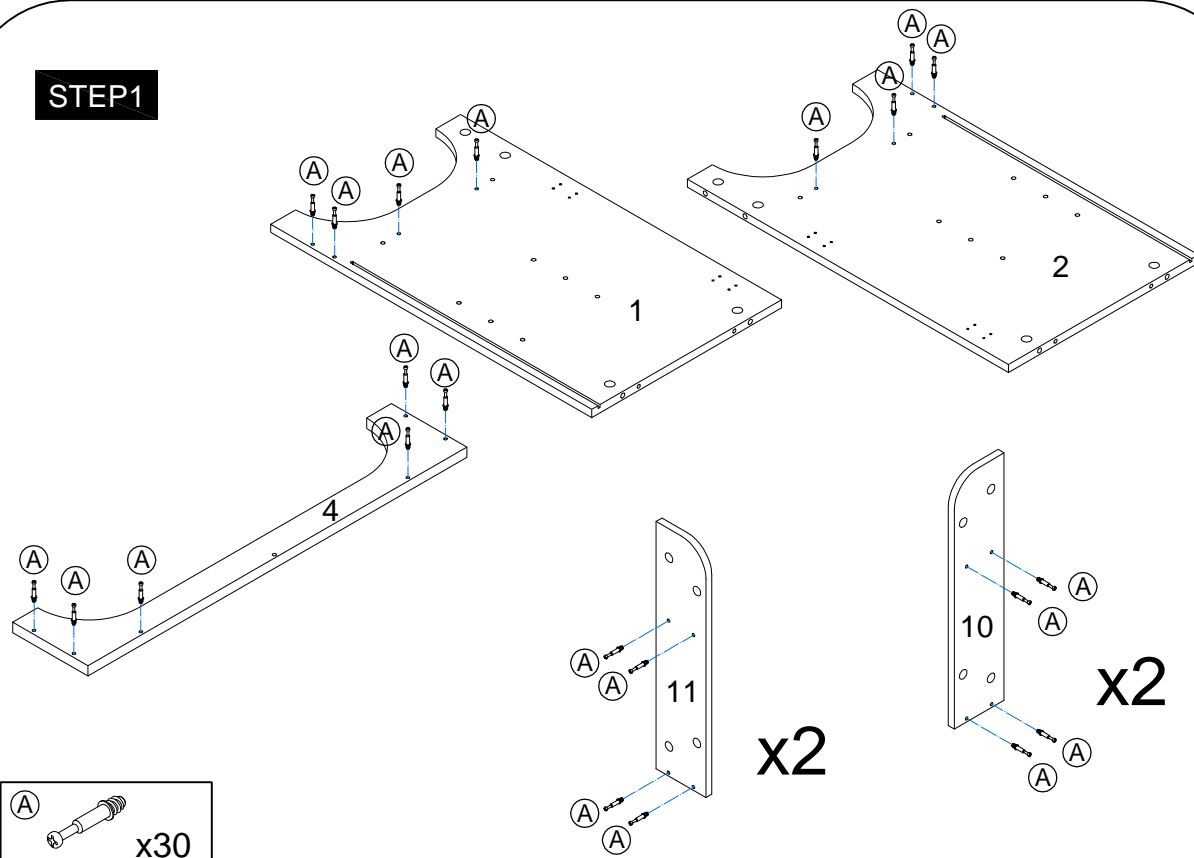
## Box A

 1: 1pc	 2: 1pc	 6: 1pc	 8: 1pc	 9: 1pc	 10: 2pcs
 11: 2pcs	 12: 4pcs	 15: 1pc	 17: 1pc	 18: 1pc	 19: 2pcs
 20: 1pc	 21: 1pc	 27: 1pc	 28: 1pc		

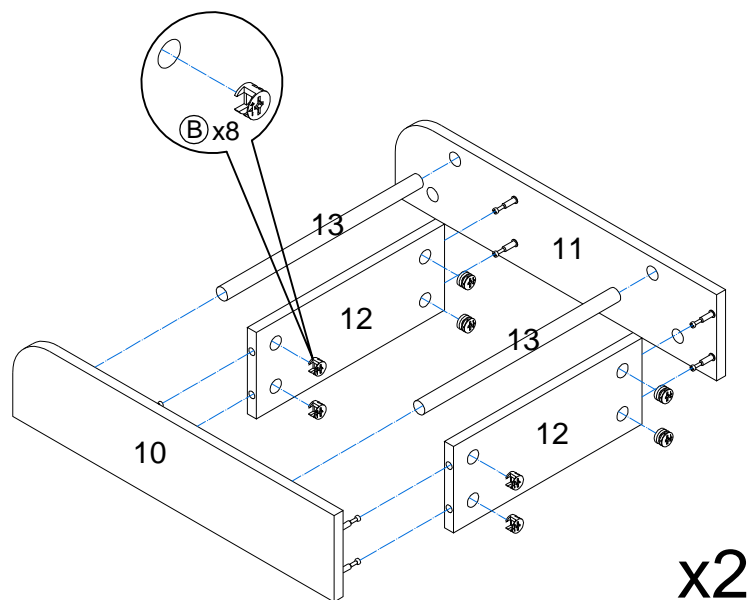
## Box B

 3: 1pc	 4: 1pc	 5: 1pc	 7: 2pcs	 14: 1pc	 13: 4pcs	 16: 1pc	
 22: 2pcs	 23: 1pc	 24: 1pc	 25: 1pc	 26: 1pc	 29: 2pcs	 30: 3pcs	
 31: 1pc	 32: 1pc	 33: 1pc	 34: 1pc	 35: 1pc	 36: 1pc	 37: 1pc	 38: 1pc

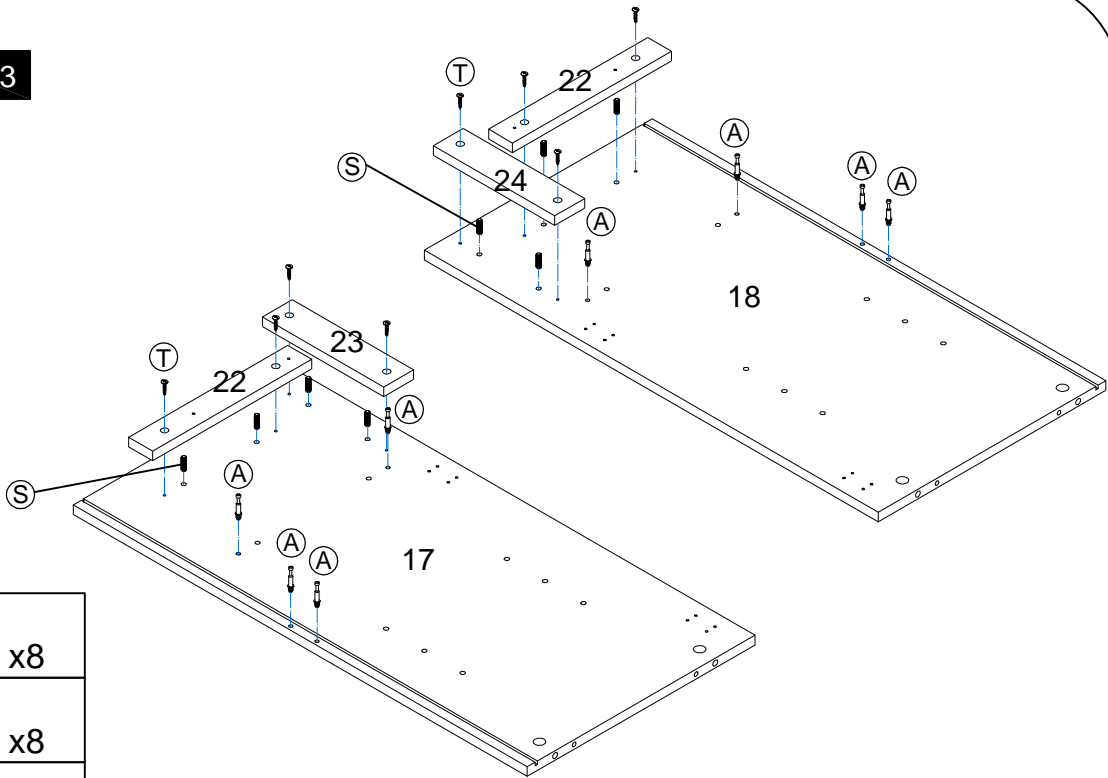
**STEP1**



**STEP2**



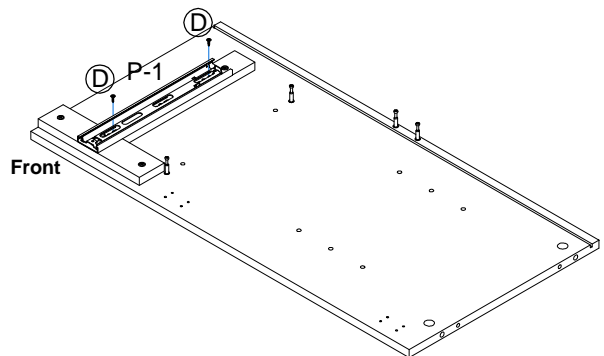
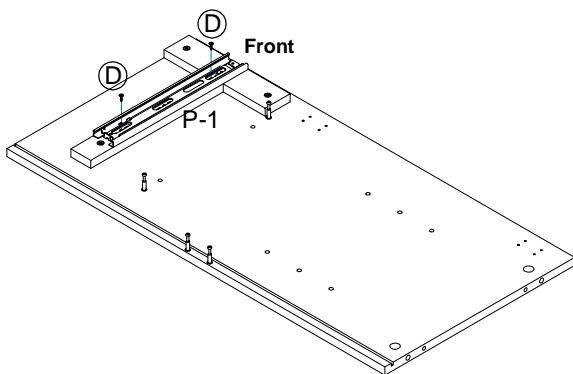
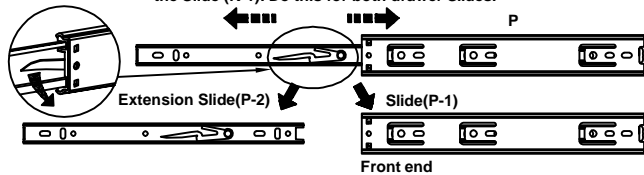
**STEP3**



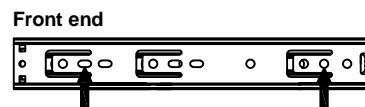
<b>(A)</b>		x8
<b>(T)</b>		Ø4x20mm x8
<b>(S)</b>		Ø6x20mm x8

**STEP4**

**Detaching the Slide**  
Press lever to disconnect and separate the Extension Slide (K-2) from the Slide (K-1). Do this for both drawer Slides.

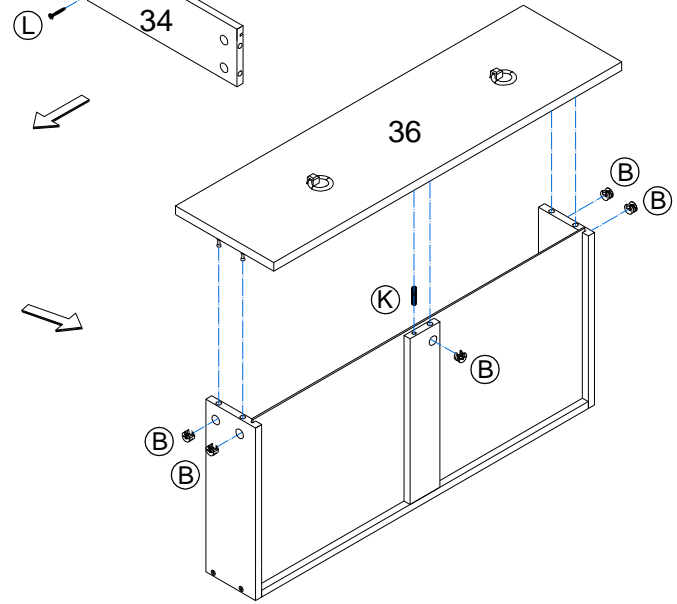
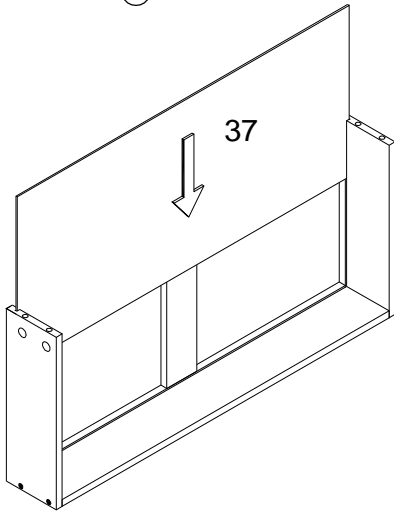
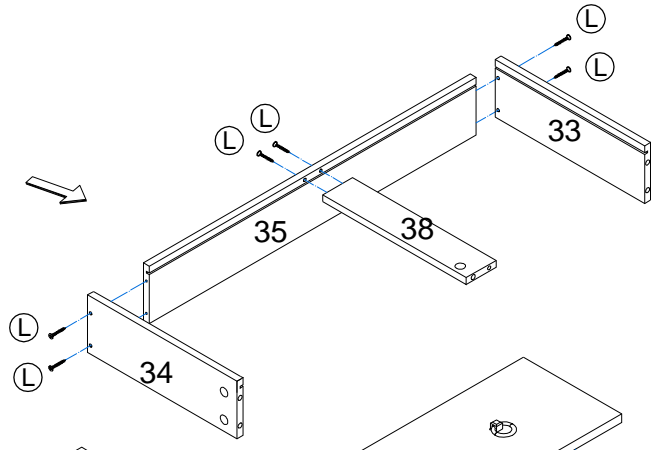
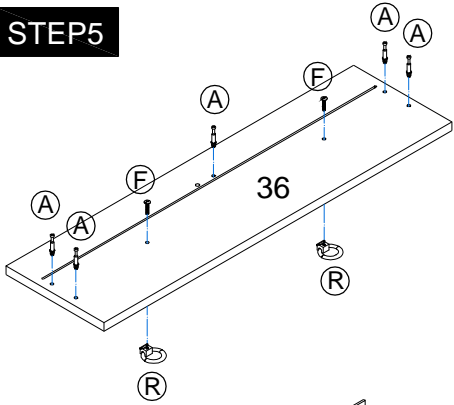


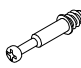

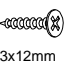
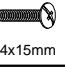
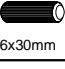
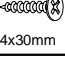

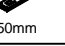
<b>(D)</b>		Ø3x12mm x4
<b>(P)</b>		250mm x2

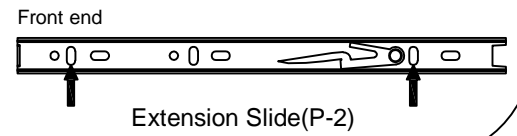
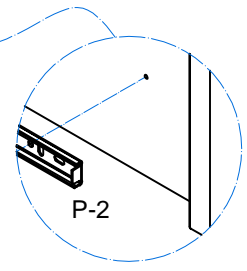
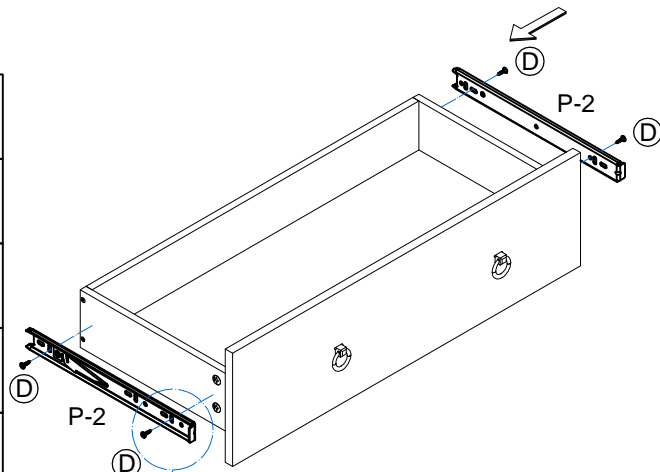


**Adjust SLIDE to align with the screw holes.**

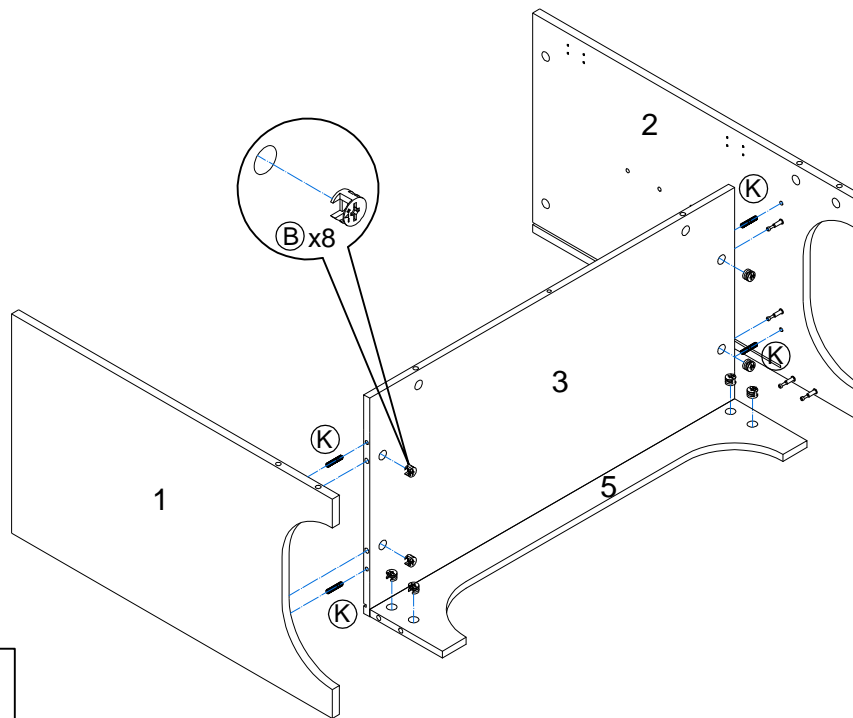
**STEP 5**





- (A)  x5
- (B)  x5
- (D)  Ø3x12mm x4
- (F)  Ø4x15mm x2
- (K)  Ø6x30mm x1
- (L)  Ø4x30mm x6
- (R)  x2
- (P)  250mm x2



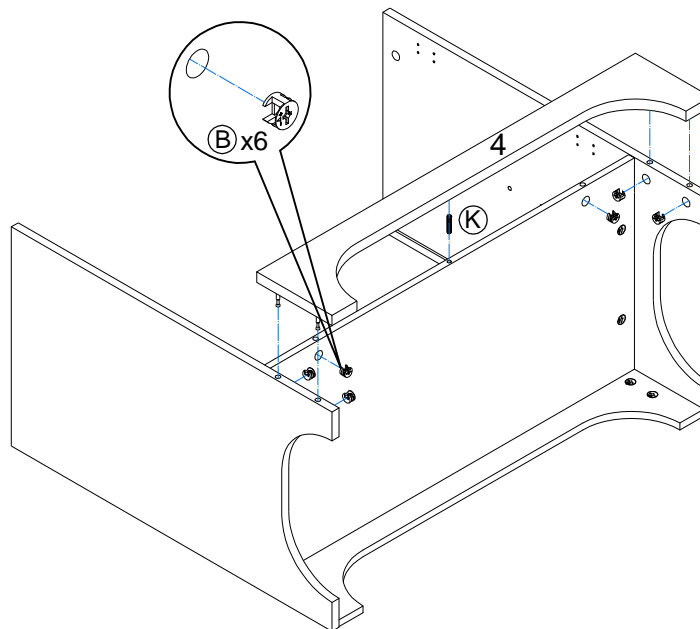
**STEP 6**





(B)		x8
(K)		x4

Ø6x30mm

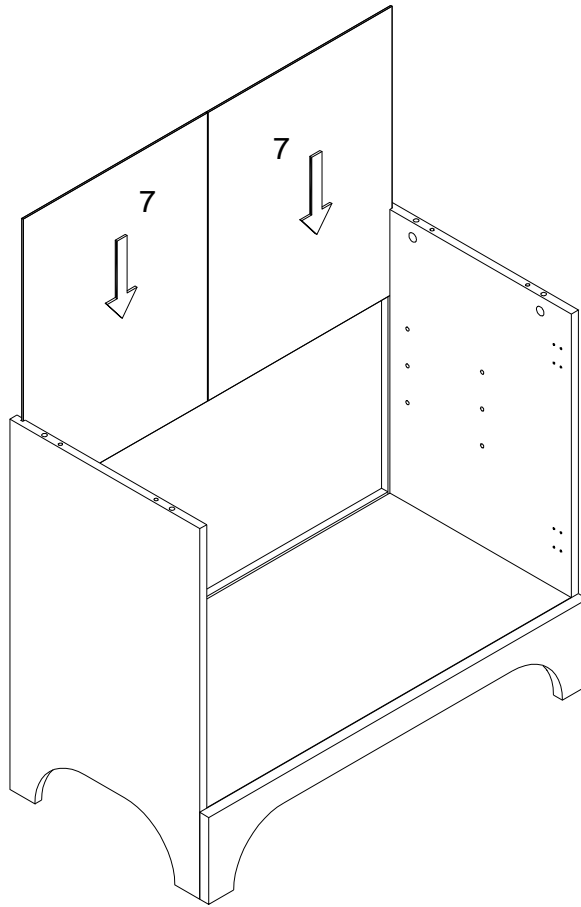
**STEP 7**



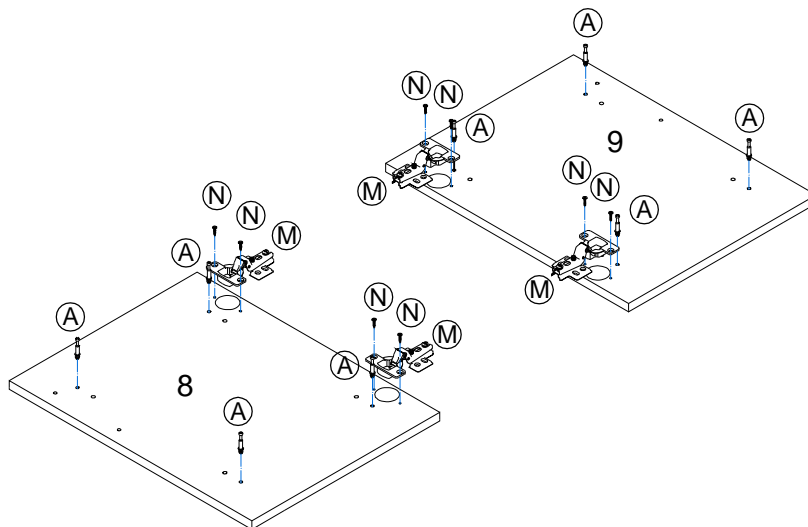
(B)		x6
(K)		x1

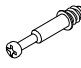
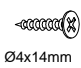

Ø6x30mm

**STEP8**

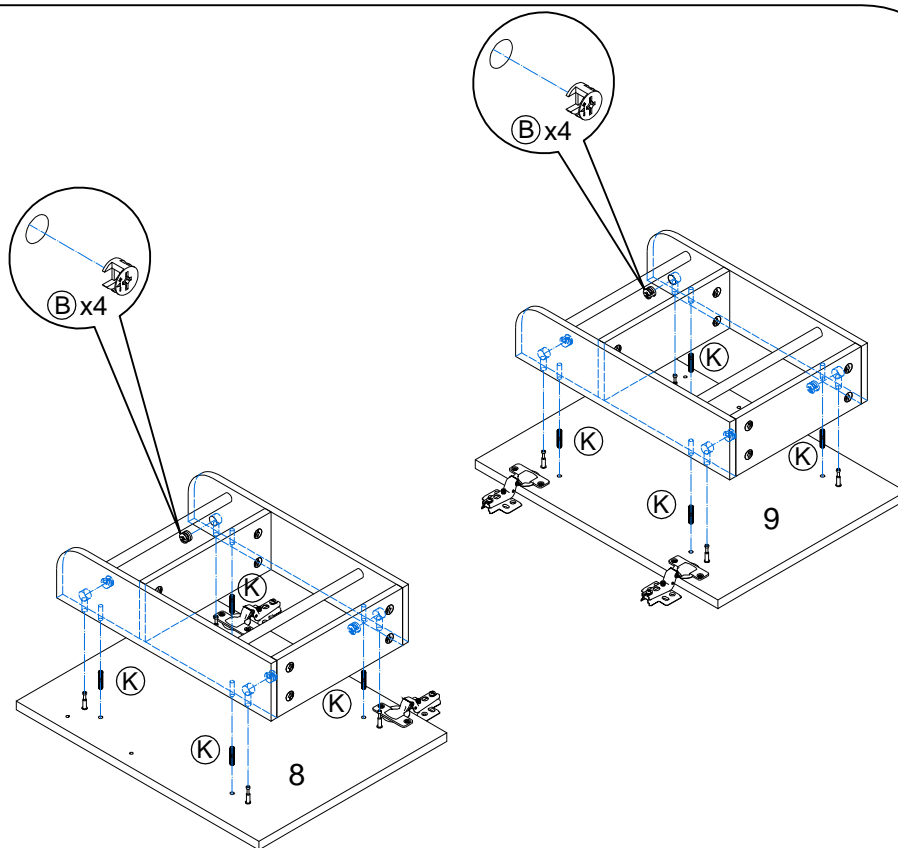




**STEP9**



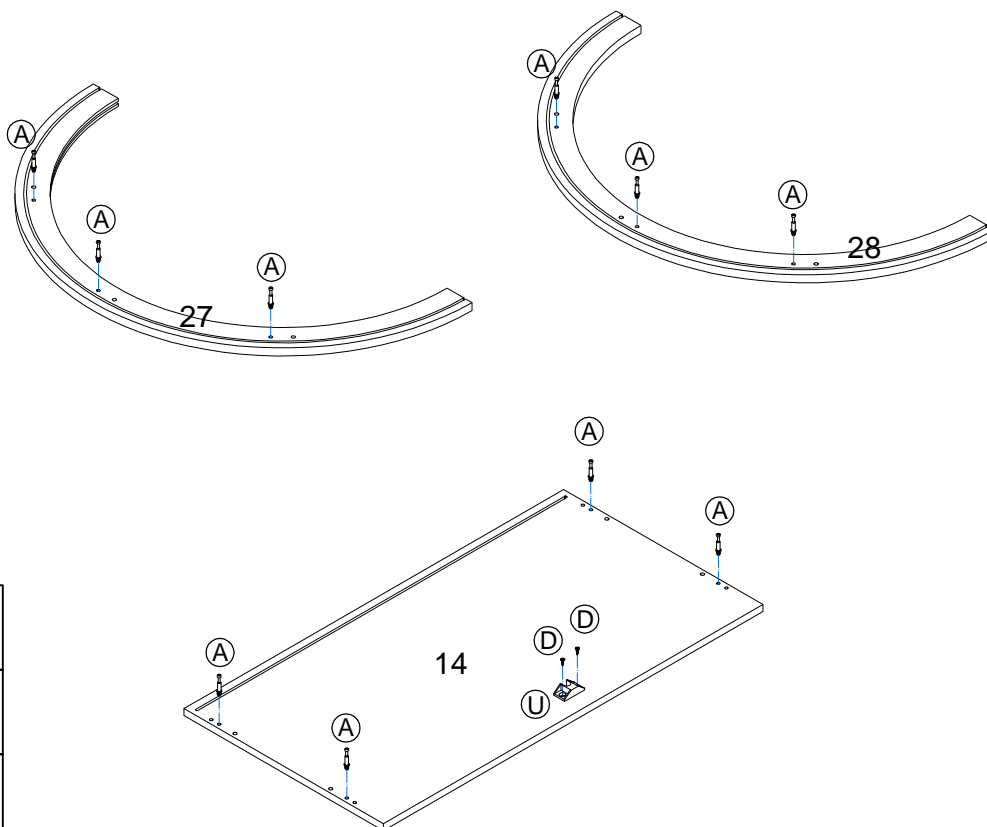
- |     |  |    |
|-----|--|----|
| (A) |             | x8 |
| (N) | <br>Ø4x14mm | x8 |
| (M) |             | x4 |

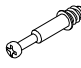
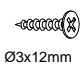

**STEP10**



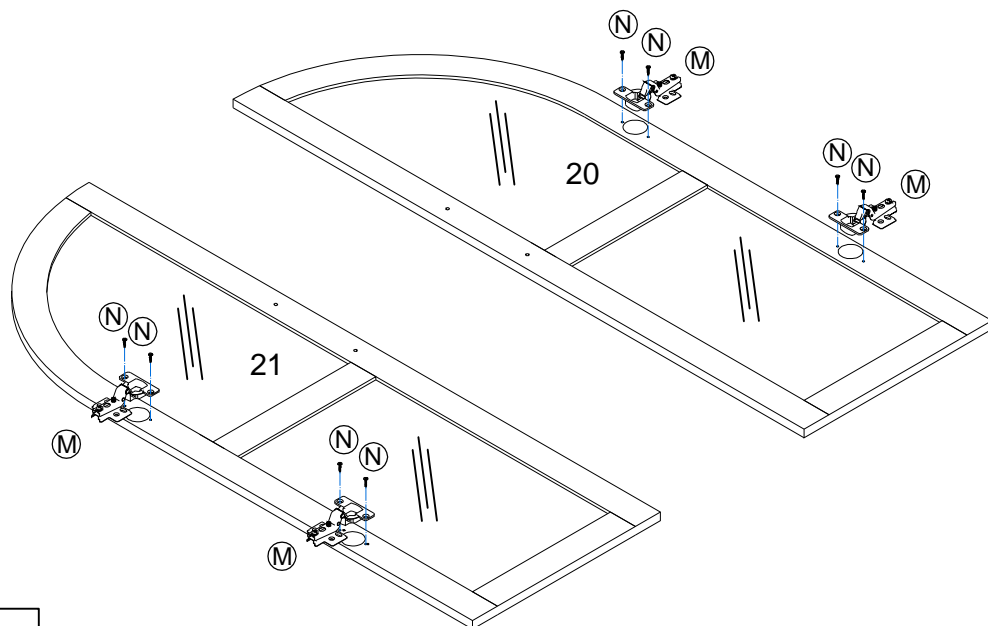
(B)		x8
(K)		x8 Ø6x30mm



**STEP11**



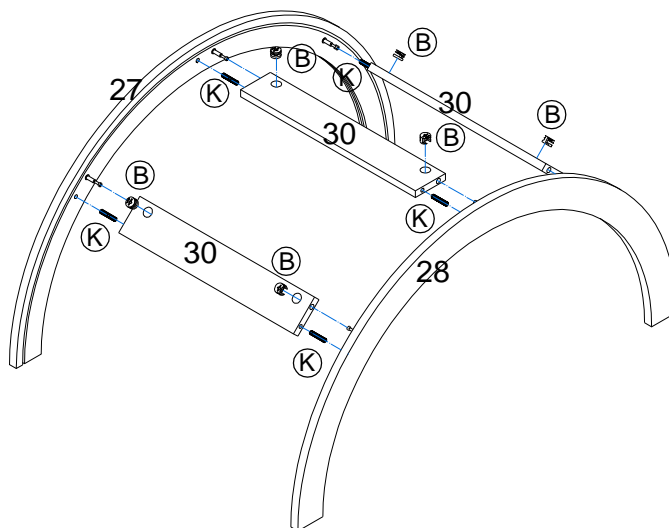
(A)		x10
(D)		x2 Ø3x12mm
(U)		x1



**STEP12**



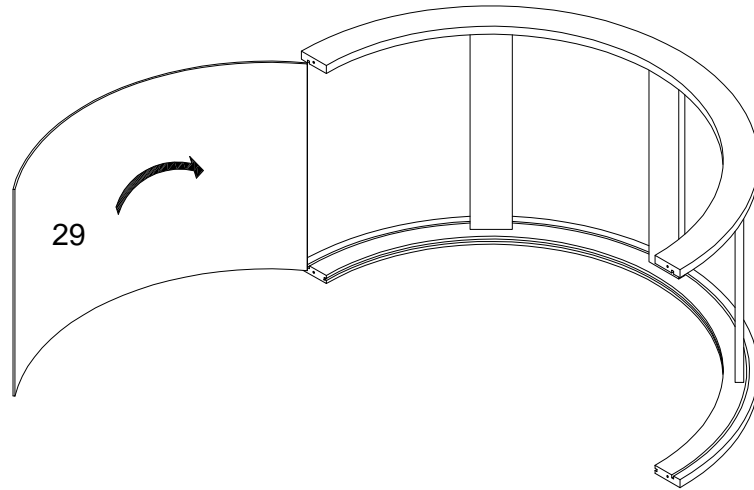
(N)		x8
(M)		x4

**STEP13**

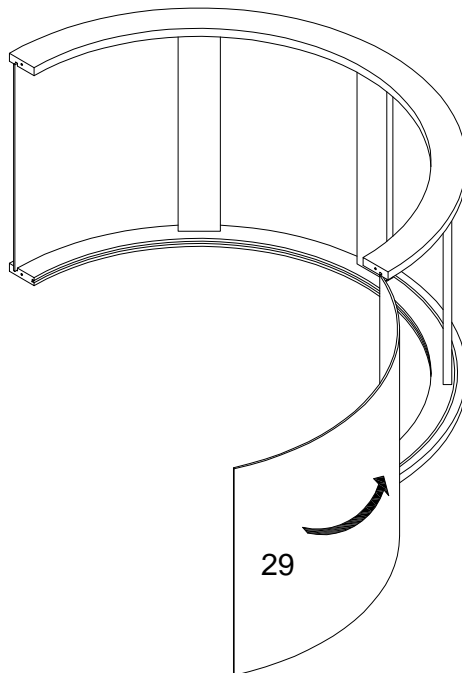


(B)		x6
(K)		x6

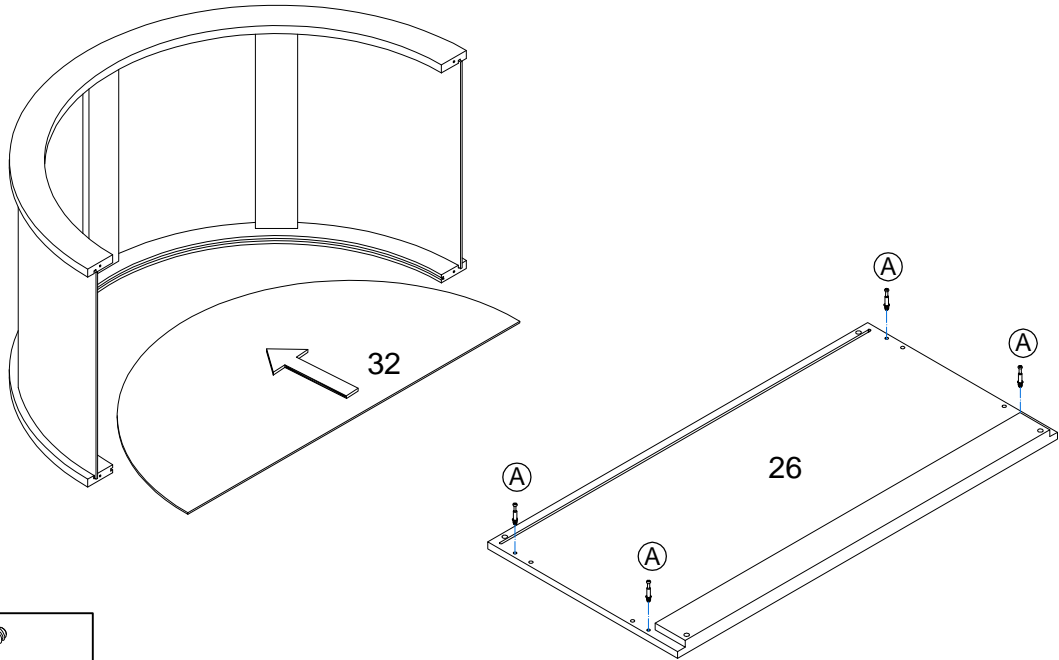
**STEP14**



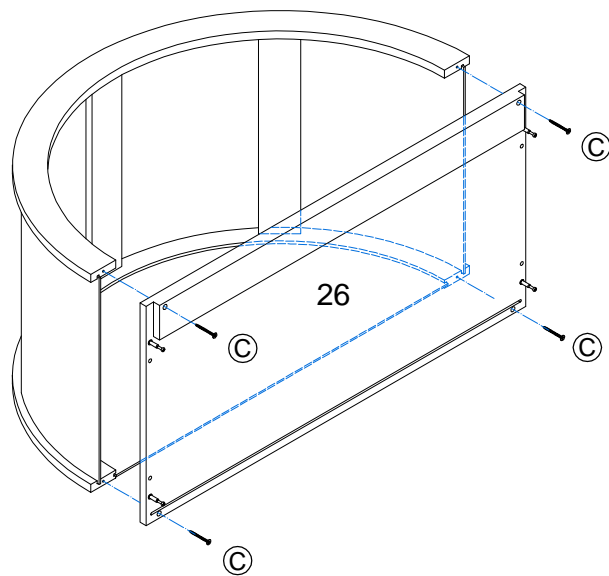
**STEP15**



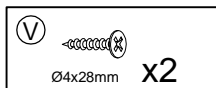
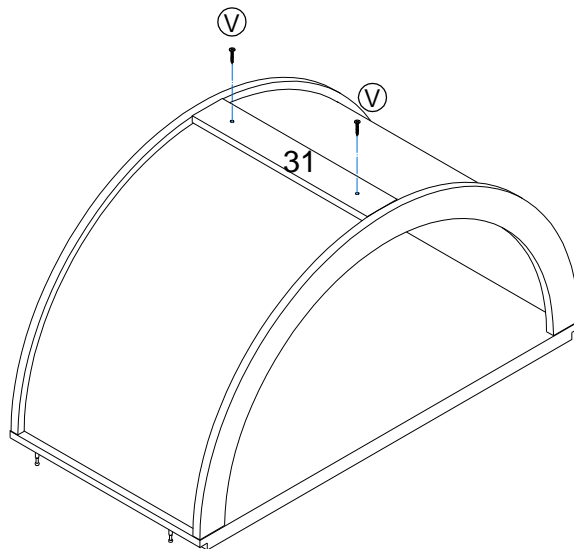
**STEP16**



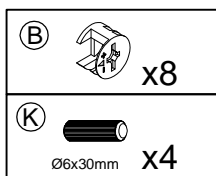
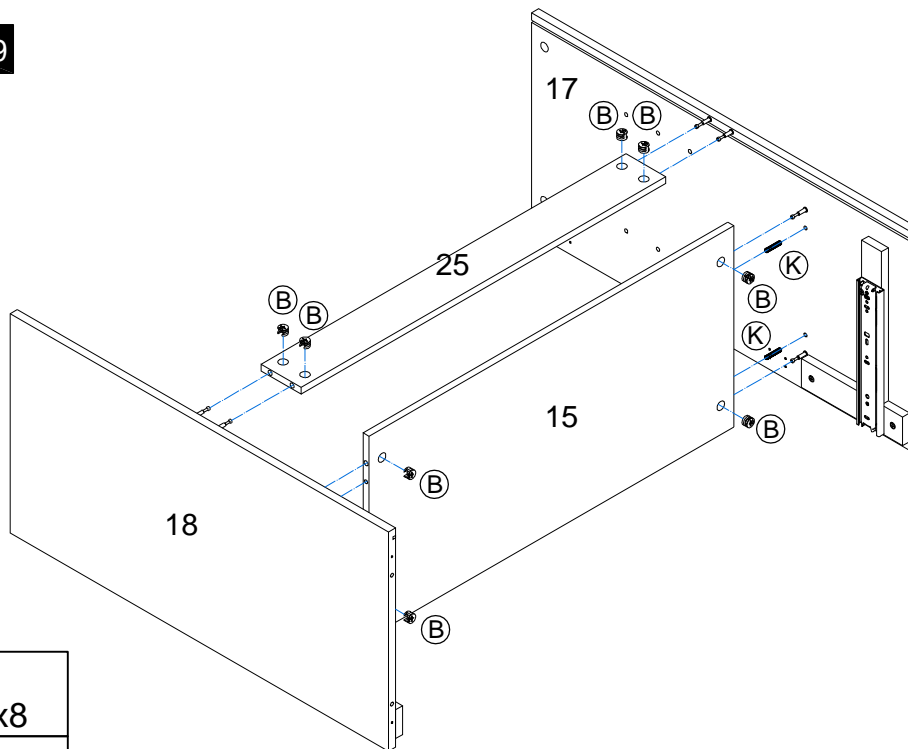
**STEP17**



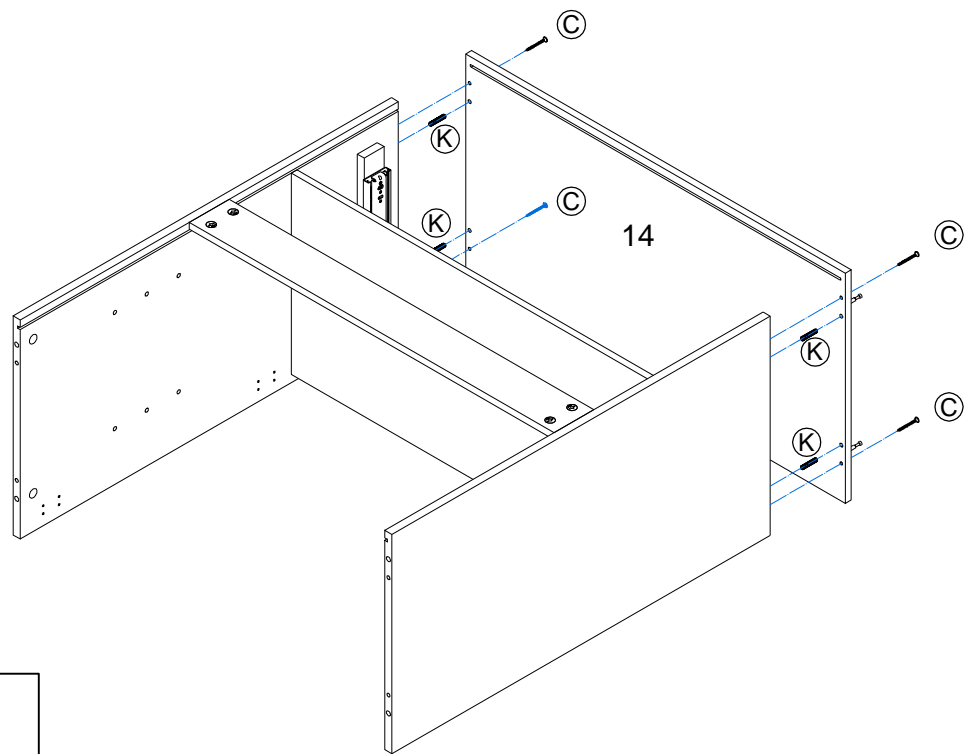
**STEP18**





**STEP19**

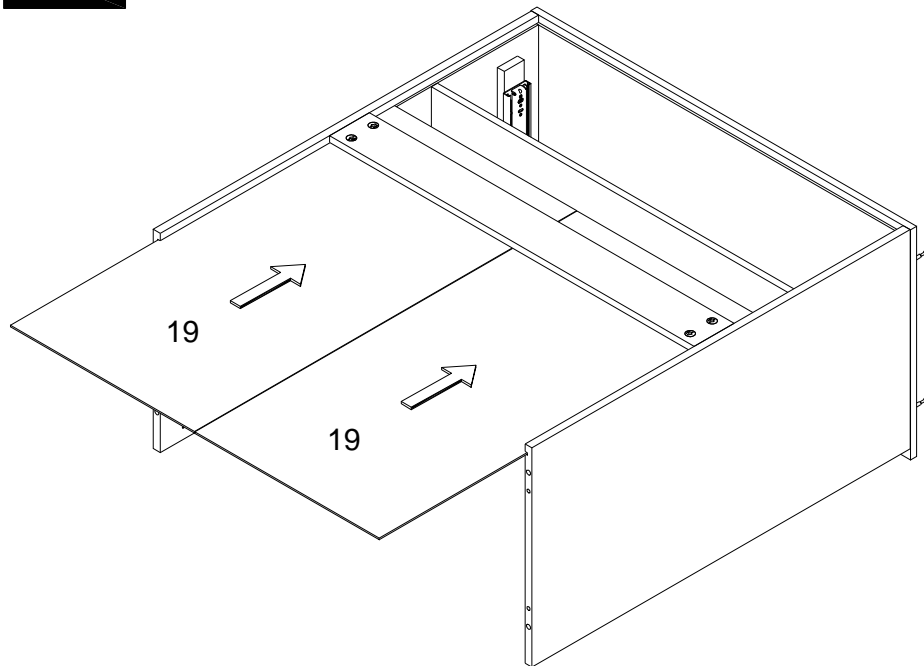


**STEP20**

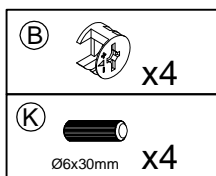
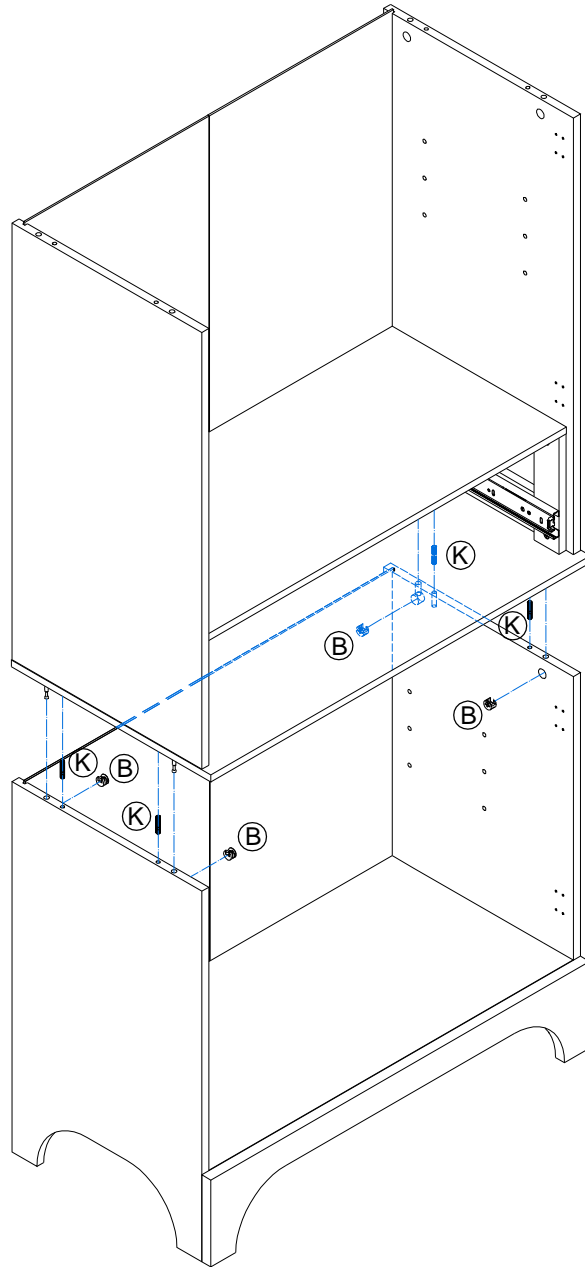


- |   |   |         |    |
|---|---|---------|----|
| Ⓒ |    | Ø4x40mm | x4 |
| Ⓐ |  | Ø6x30mm | x4 |

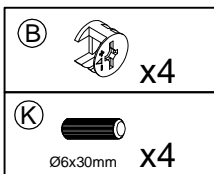
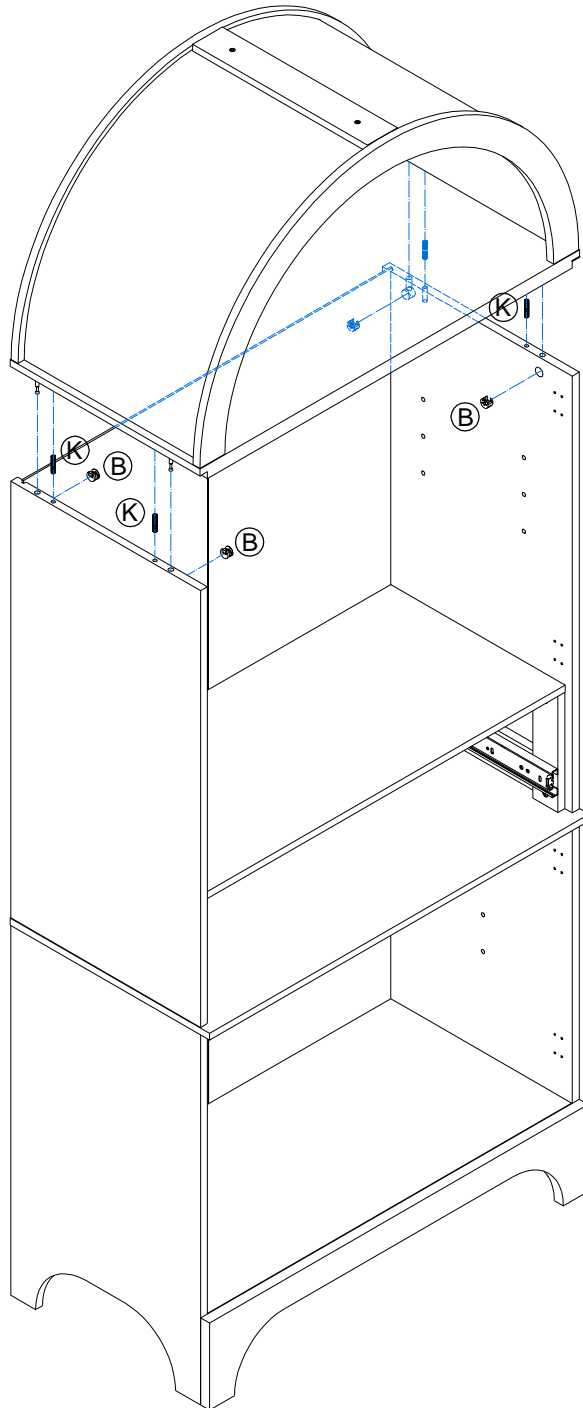
**STEP21**



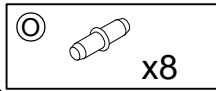
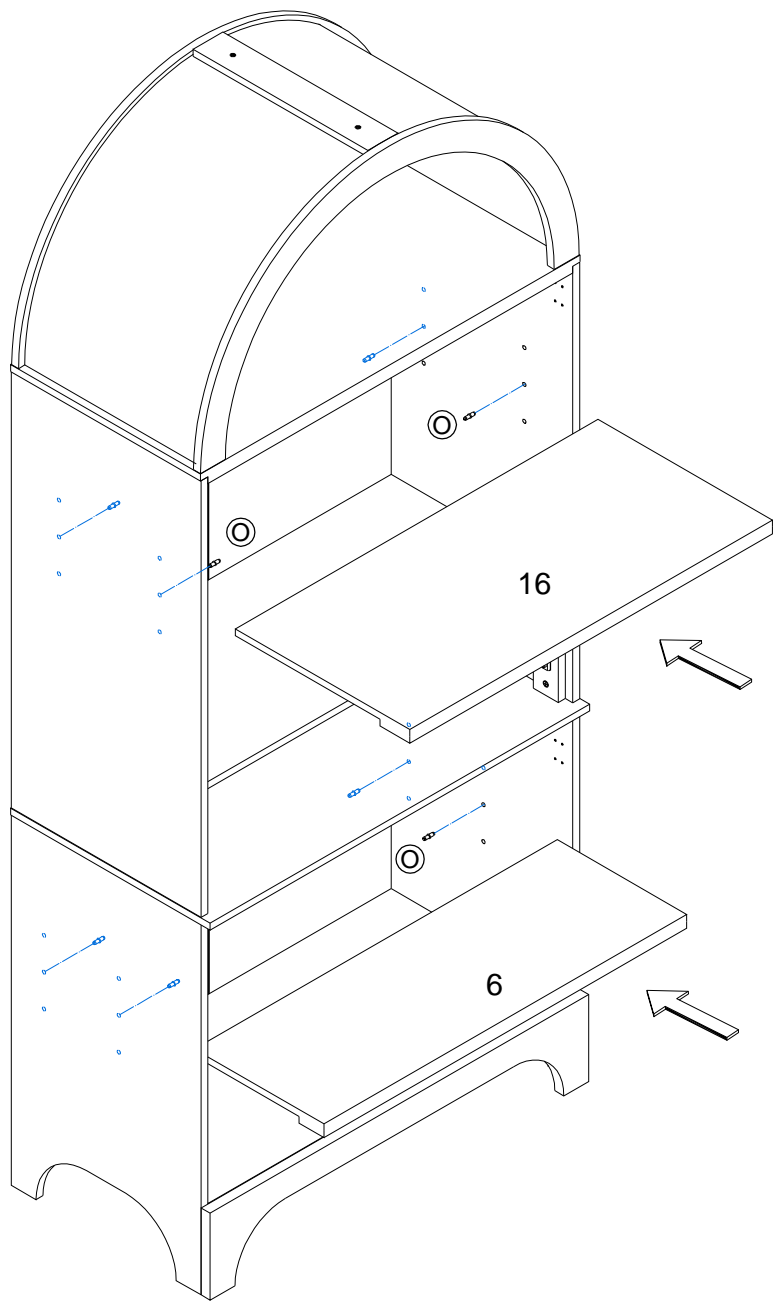
**STEP22**



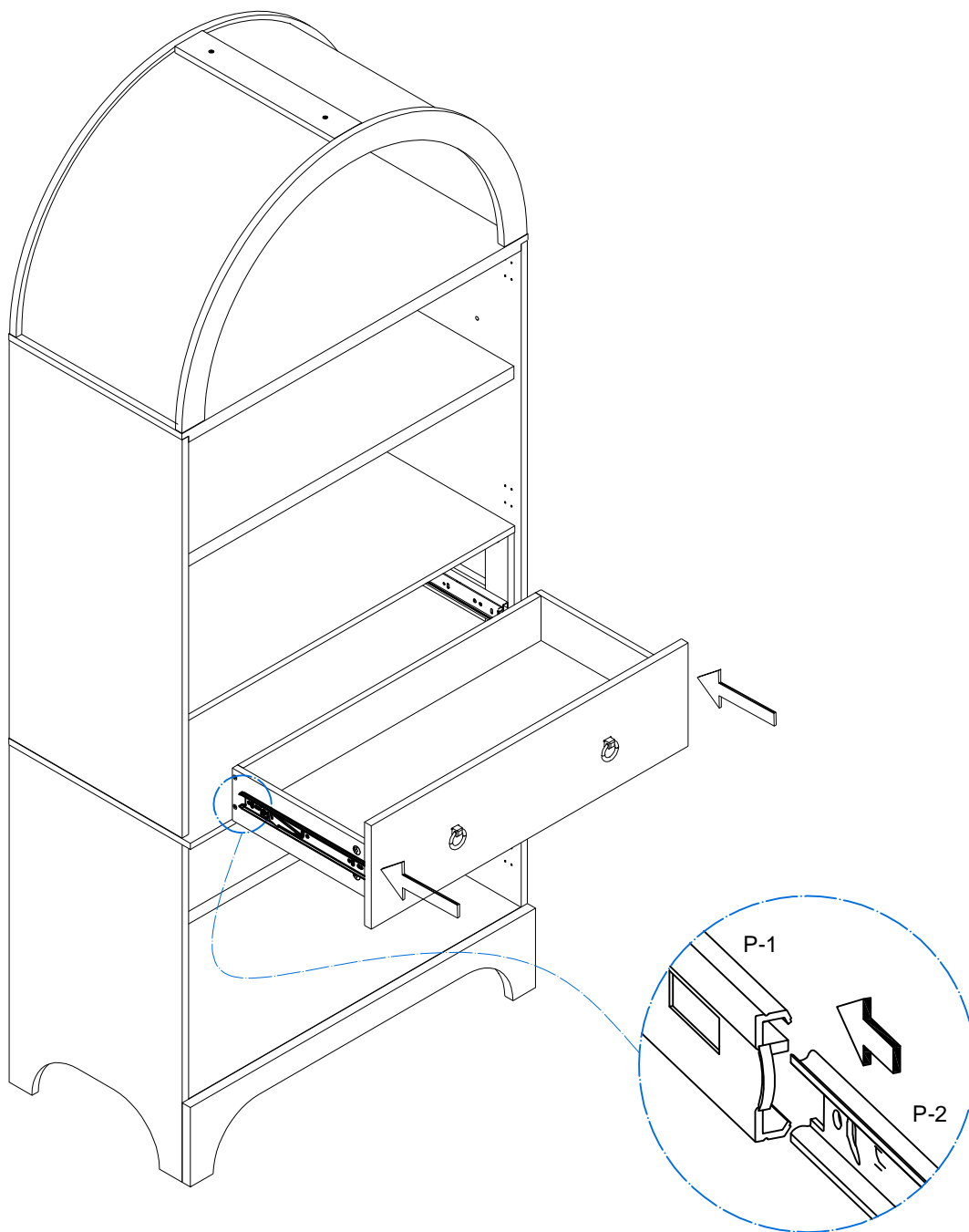
**STEP23**



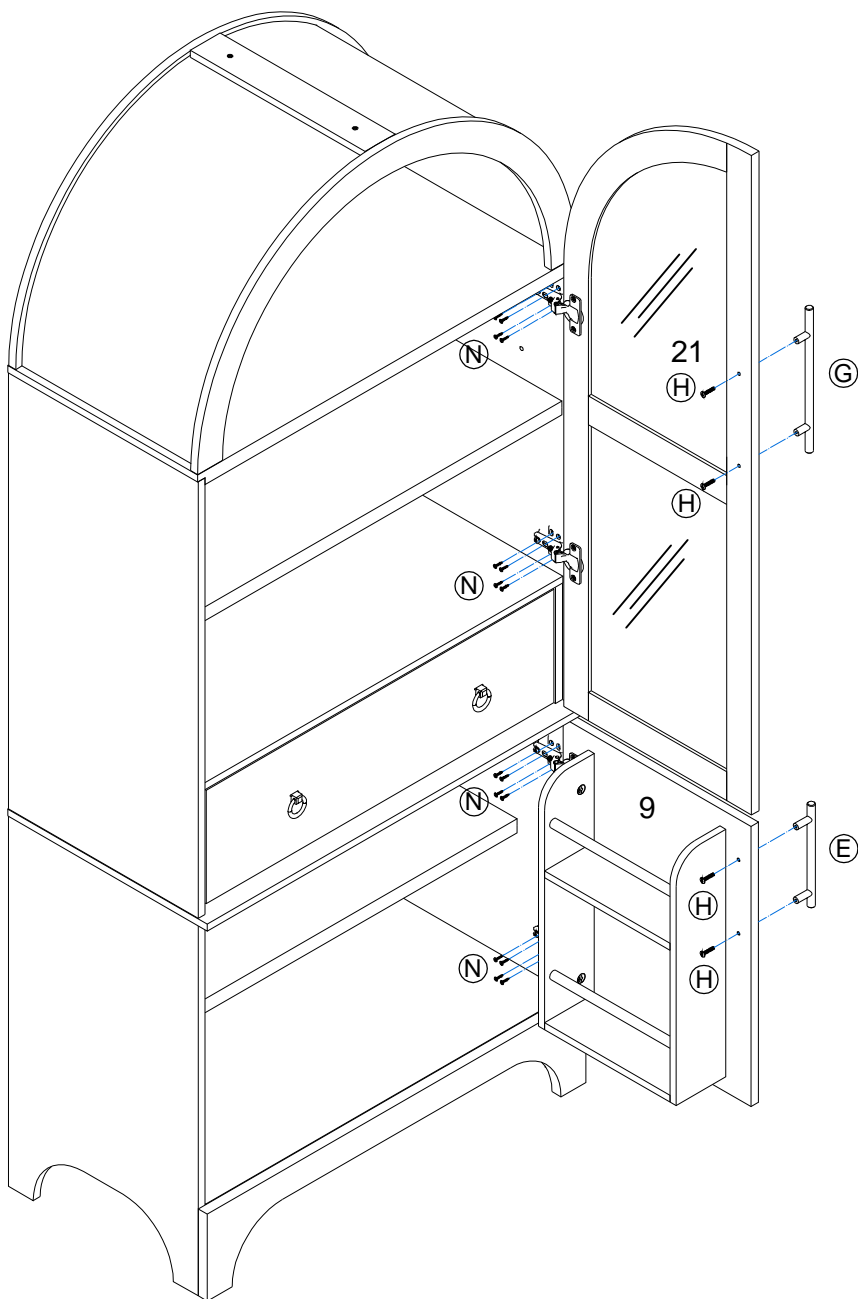
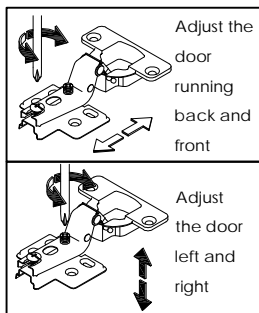
**STEP24**



**STEP25**

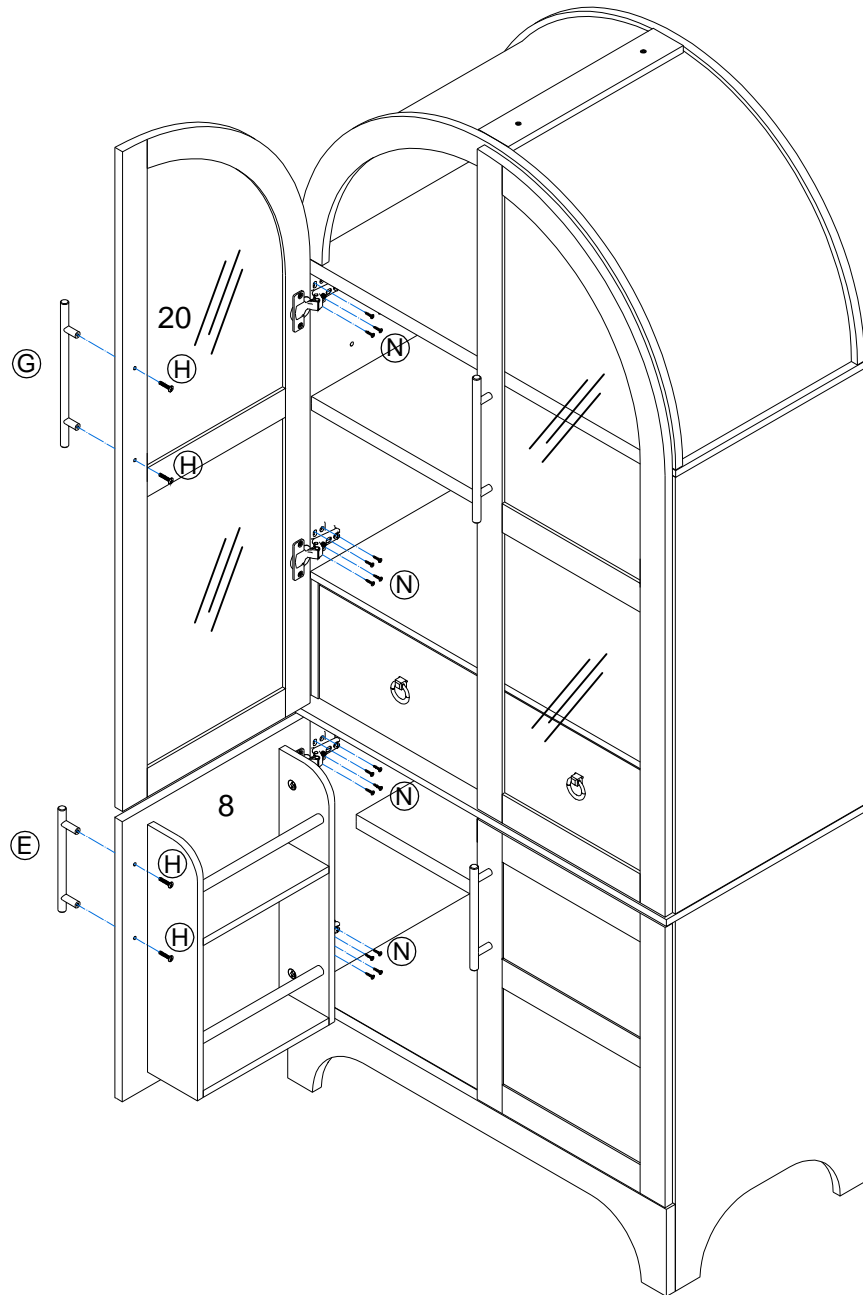
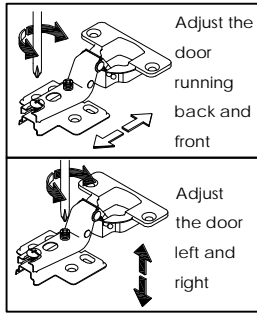


**STEP 26**



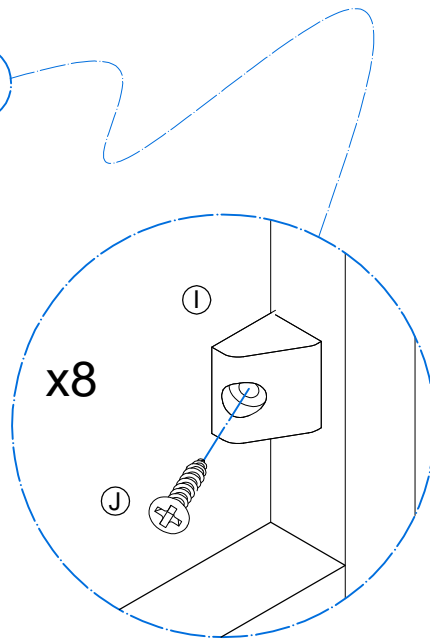
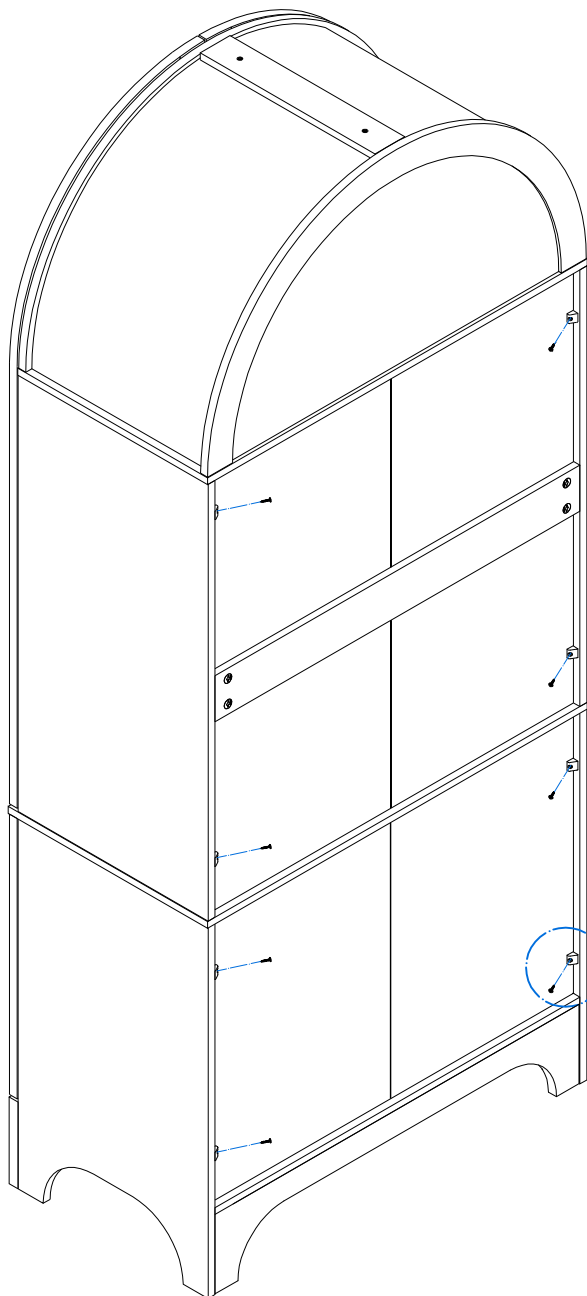
<b>E</b>		150mm	<b>x1</b>
<b>G</b>		250mm	<b>x1</b>
<b>H</b>		Ø4x22mm	<b>x4</b>
<b>N</b>		Ø4x14mm	<b>x16</b>



# STEP 27



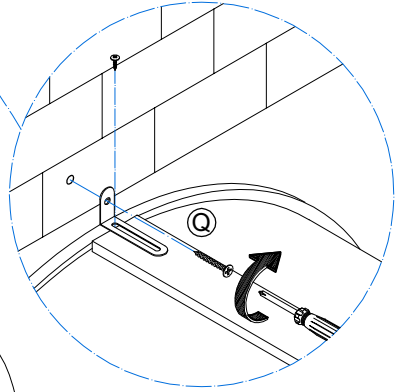
<b>(E)</b>		150mm	<b>x1</b>
<b>(G)</b>		250mm	<b>x1</b>
<b>(H)</b>		Ø4x22mm	<b>x4</b>
<b>(N)</b>		Ø4x14mm	<b>x16</b>

**STEP28**



①		x8
②		Ø3x16mm x8

**STEP29**



**WALL**

**I**

**WALL +**  
drillinghole

**II**

**WALL**

Use a hammer to close  
Anchor

**III**

