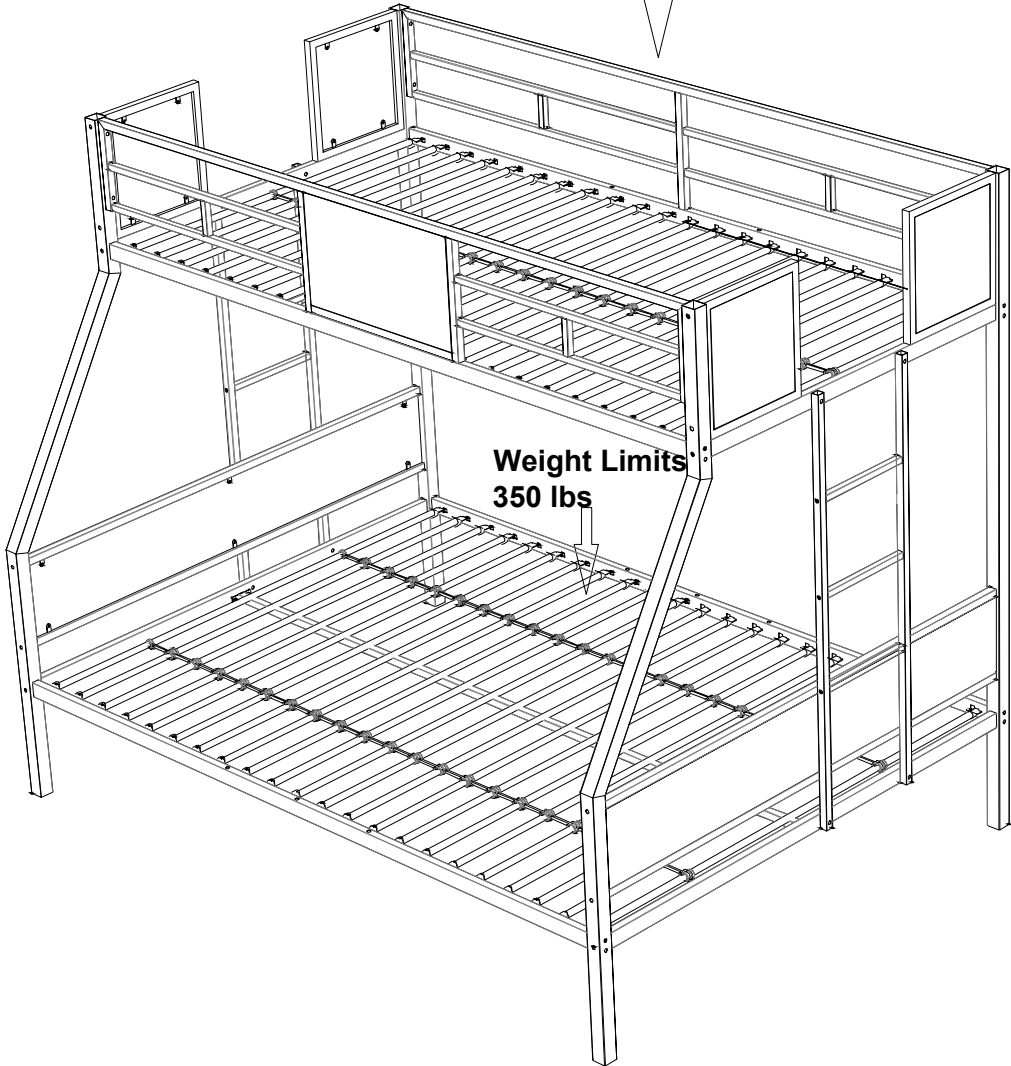


ASSEMBLY INSTRUCTION

**Weight Limits
250 lbs**



**Weight Limits
350 lbs**

Attention: Please don't tighten the screws completely and go back later for final tightening of all the screws after pieces are aligned with each other. If the screws are tightened initially, subsequent hole positions may be misaligned.

If you have product questions, you may contact manufacturer at: lizevinchelp@outlook.com

BUNK BED & TRUNDLE ASSEMBLY INSTRUCTIONS



SAFETY WARNING



1. Follow the information on the warnings on the bunk bed end structure and on the carton. Do not remove the warning label from the bed.
 2. Always use the recommended size mattress on mattress support, or both, to help prevent the likelihood of entrapment or falls.
 3. Do not allow children under 6 years of age to use the upper bunk.
 4. Periodically check and ensure the guardrail, ladder and other components are in their proper position, free from damage, and all connectors are tight.
 5. Do not allow horseplay on or under beds.
 6. Always prohibit jumping on the bed.
 7. Prohibit more than one person on upper bunk.
 8. Always use the ladder for entering and leaving the upper bunk.
 9. Do not use substitute parts. Contact the manufacturer or dealer for replacement parts.
 10. Use of a night-tight may provide added safety precaution for a child using the upper bunk.
 11. Always use guardrails on both long sides of the upper bunk.
 12. If the bunk bed will be placed next to a wall, the guardrail that runs the full length of the bed should be placed against the wall to prevent entrapment between the bed and the wall.
 13. The use of water or sleep flotation mattresses is prohibited.
- STRANGULATION HAZARD- Never attach or hang items to any part of the bunk bed that are not designed for use with the bed.
14. Keep these instructions for future reference.
 15. We recommend assembling your bunk bed on the shipping carton to protect your floor or carpet.
 16. Be certain all staples are out of the box before beginning assembly on the shipping carton.
 17. USE ONLY MATTRESSES WHICH ARE AS THE TABLE BELOW ON UPPER AND ON LOWER BUNKS.

Down bed

Bed type	Length	Width	Thickness
Full Standard	74" - 75"	53 ½"	8" max

Up bed (bunk bed and trundle included)

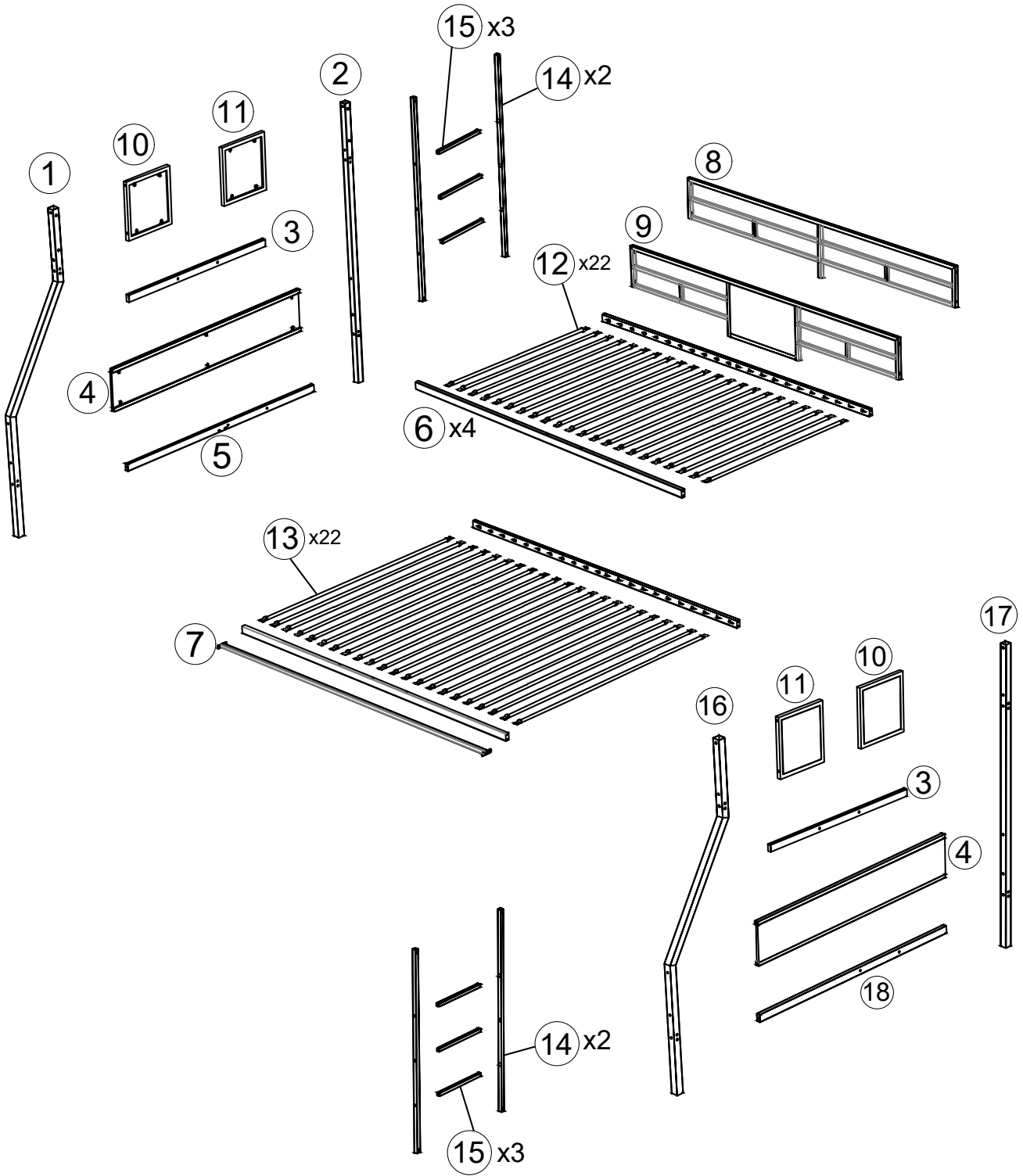
Bed type	Length	Width	Thickness
Twin Standard	74" - 75"	38 ½"	6" max

18. SURFACE OF MATTRESS MUST BE AT LEAST 5" (127MM) BELOW THE UPPER EDGE OF GUARDRAILS.



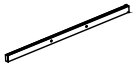
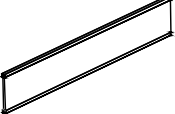



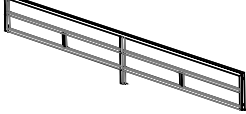
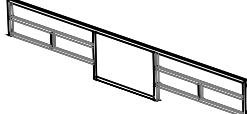
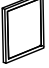





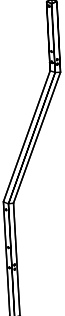


19. Replacement Parts:

Replacement Parts, including additional guardrails, may be obtained from any of our dealers


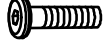






PART LIST



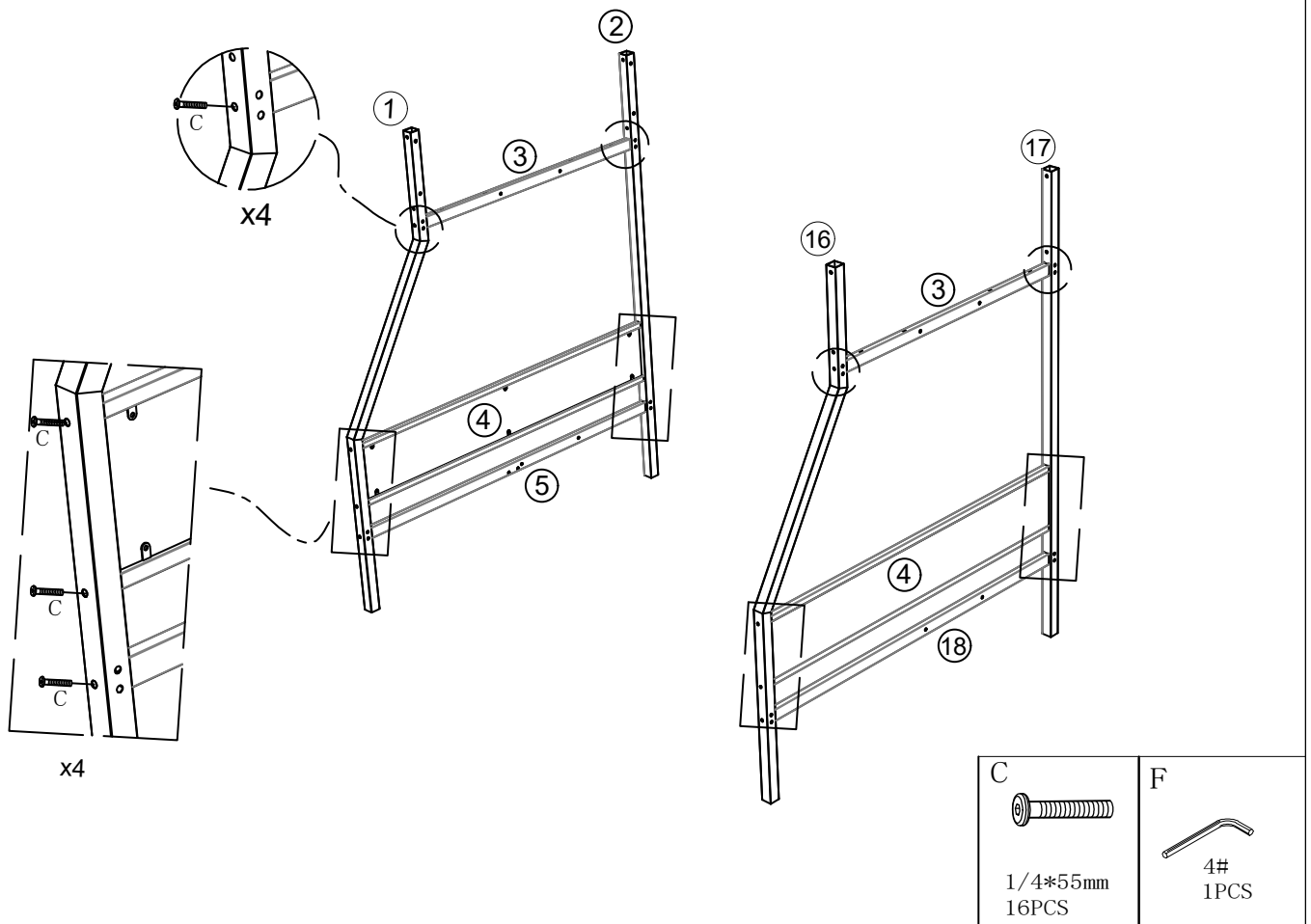
Part list

1 x1PC 	2 x1PC 	3 x2PCS 	4 x2PCS 	5 x1PC 	6 x4PCS 
7 x1PC 	8 x1PC 	9 x1PC 	10 x2PCS 	11 x2PCS 	
12 x22PCS 	13 x22PCS 	14 x4PCS 	15 x6PCS 	16 x1PC 	17 x1PC 
18 x1PC 					

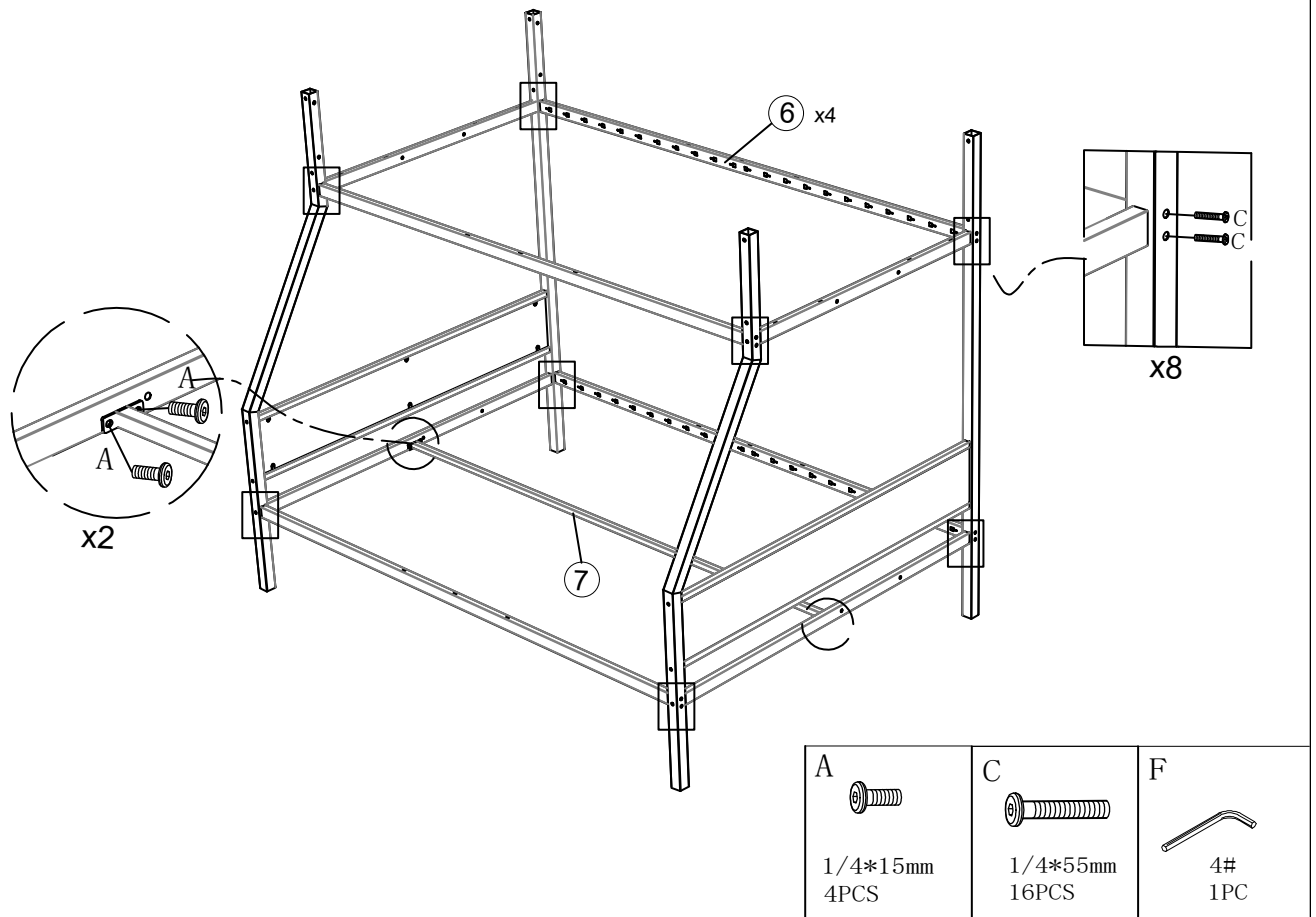
Hardware arts

A  1/4*15mm 16PCS	B  1/4*35mm 16PCS	C  1/4*55mm 51PCS	D  1/4*15mm 8PCS	E  Ø 10 17PCS	F  4# 2PCS
G  88PCS	H  63PCS				

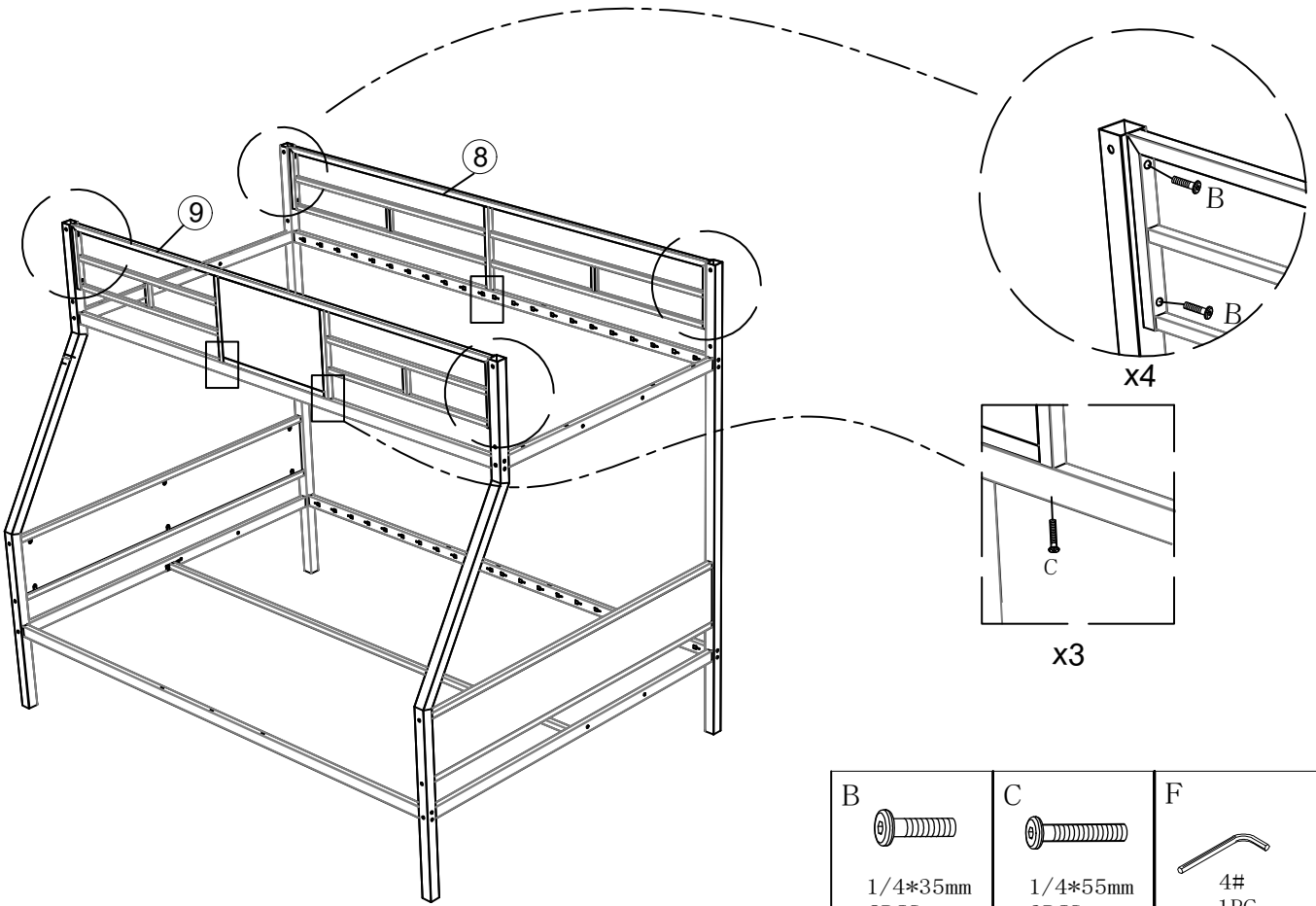
STEP 1

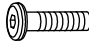
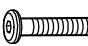



STEP 2

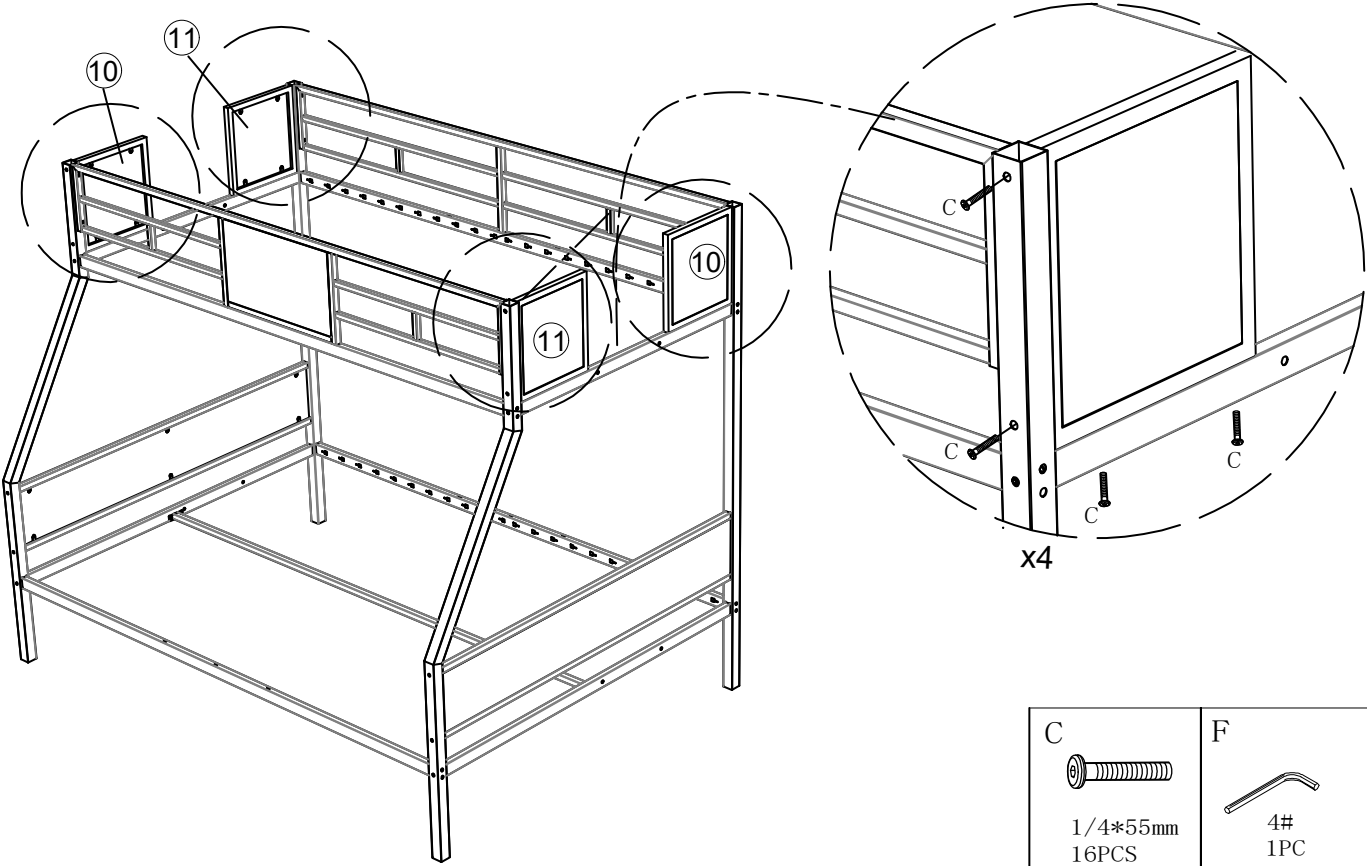


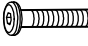
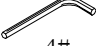
STEP 3



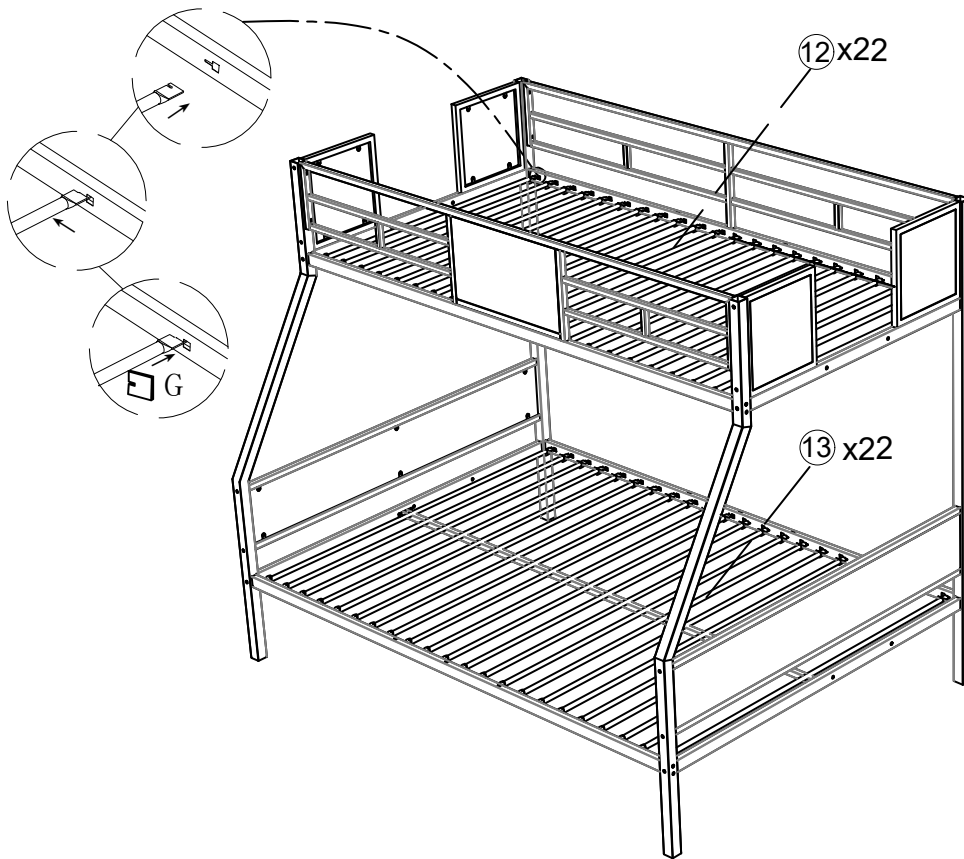
<p>B</p>  <p>1/4*35mm 8PCS</p>	<p>C</p>  <p>1/4*55mm 3PCS</p>	<p>F</p>  <p>4# 1PC</p>
---	---	---

STEP 4



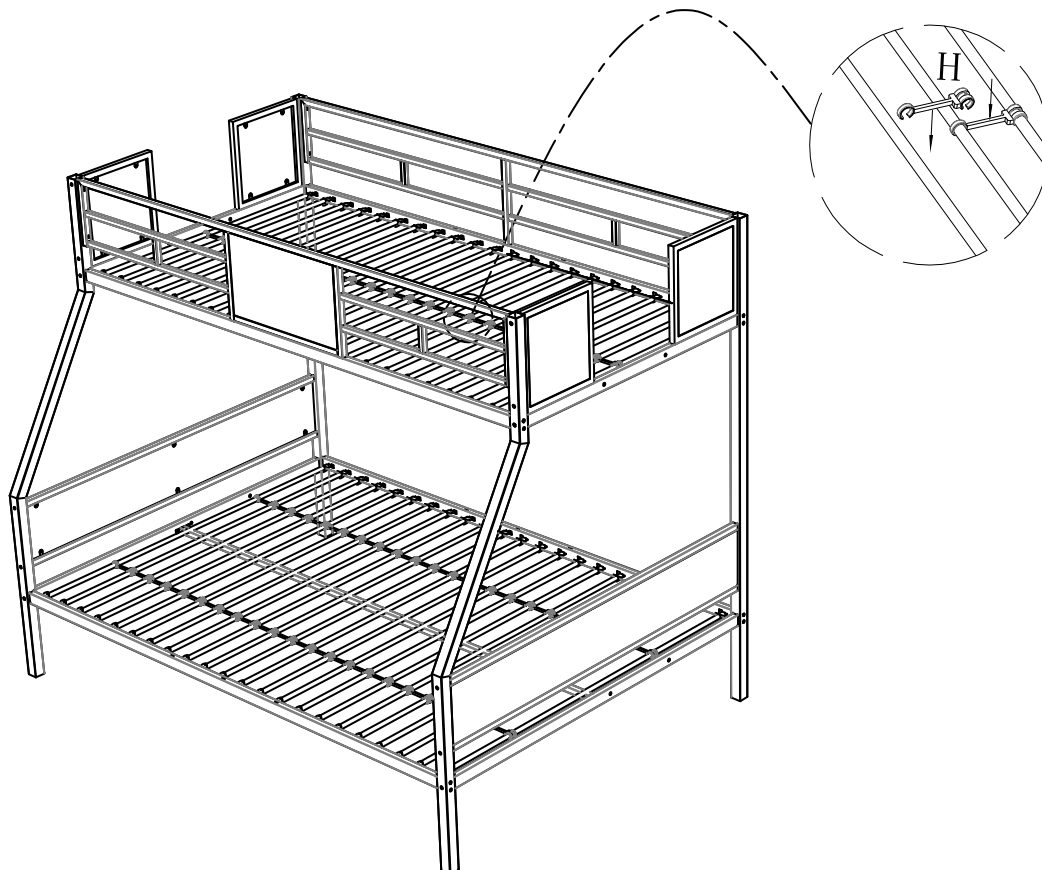
<p>C</p>  <p>1/4*55mm 16PCS</p>	<p>F</p>  <p>4# 1PC</p>
---	---

STEP 5



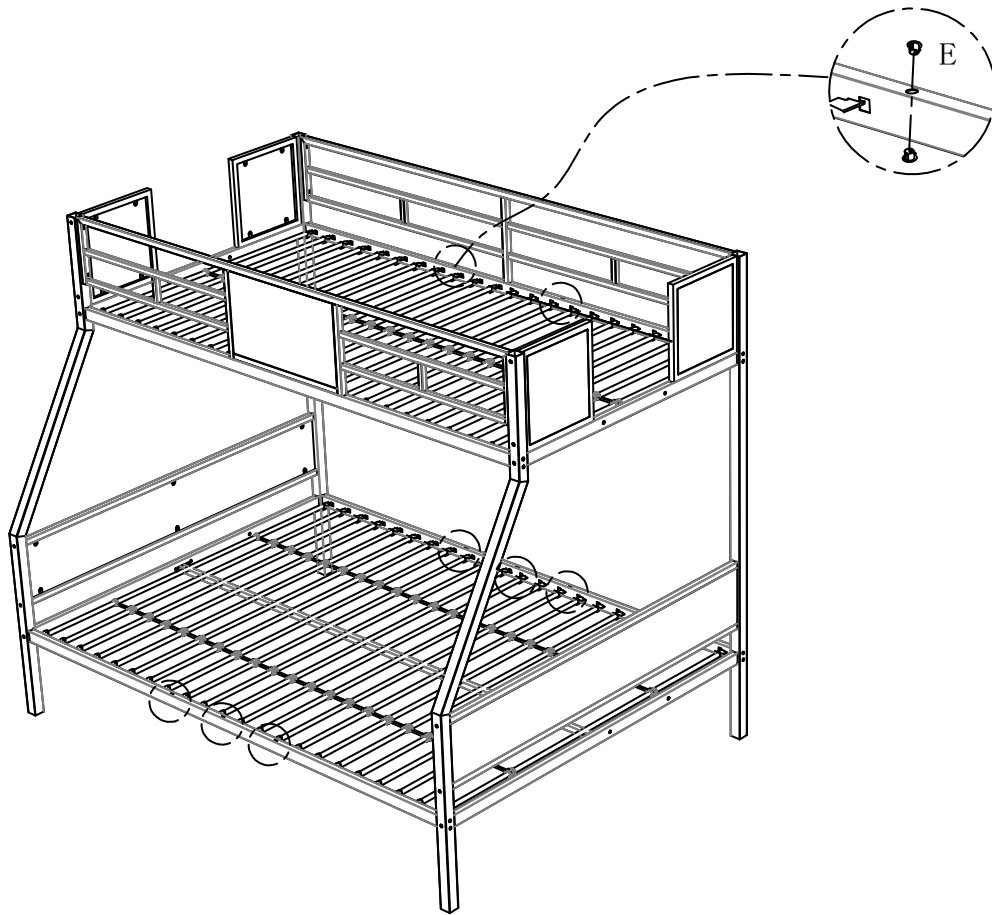
G
88PCS


STEP 6



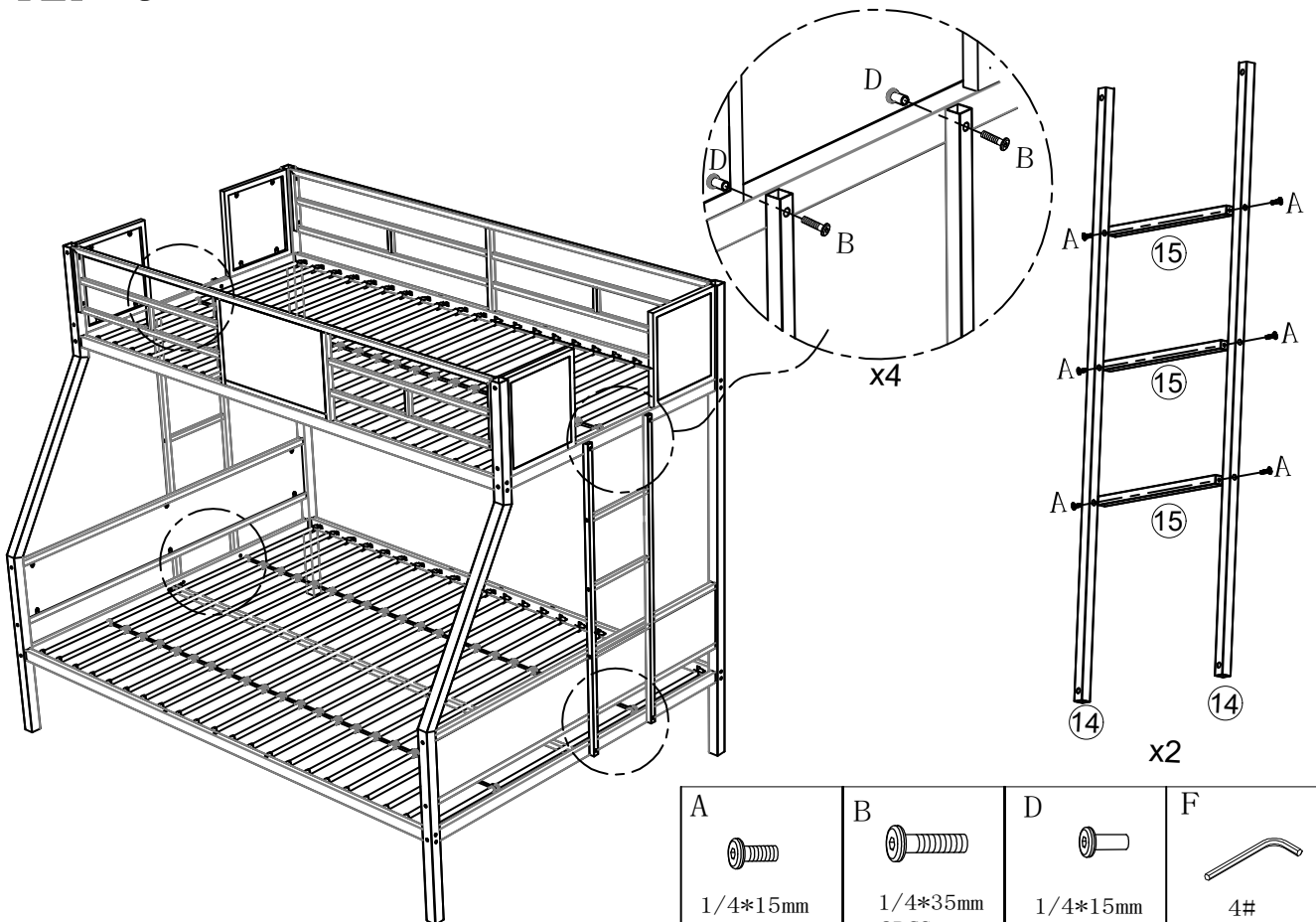
H
63PCS



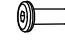

STEP 7



E

 ø10
 17PCS

STEP 8



<p>A  1/4*15mm 12PCS</p>	<p>B  1/4*35mm 8PCS</p>	<p>D  1/4*15mm 8PCS</p>	<p>F  4# 2PCS</p>
--	---	---	---