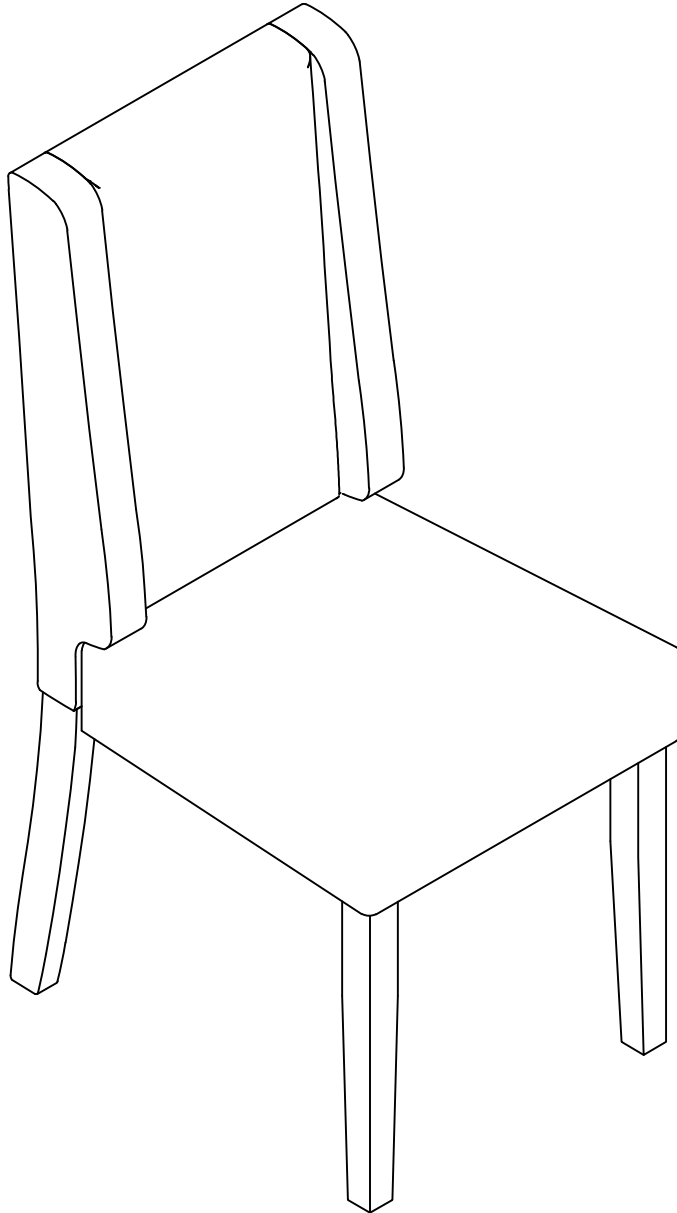


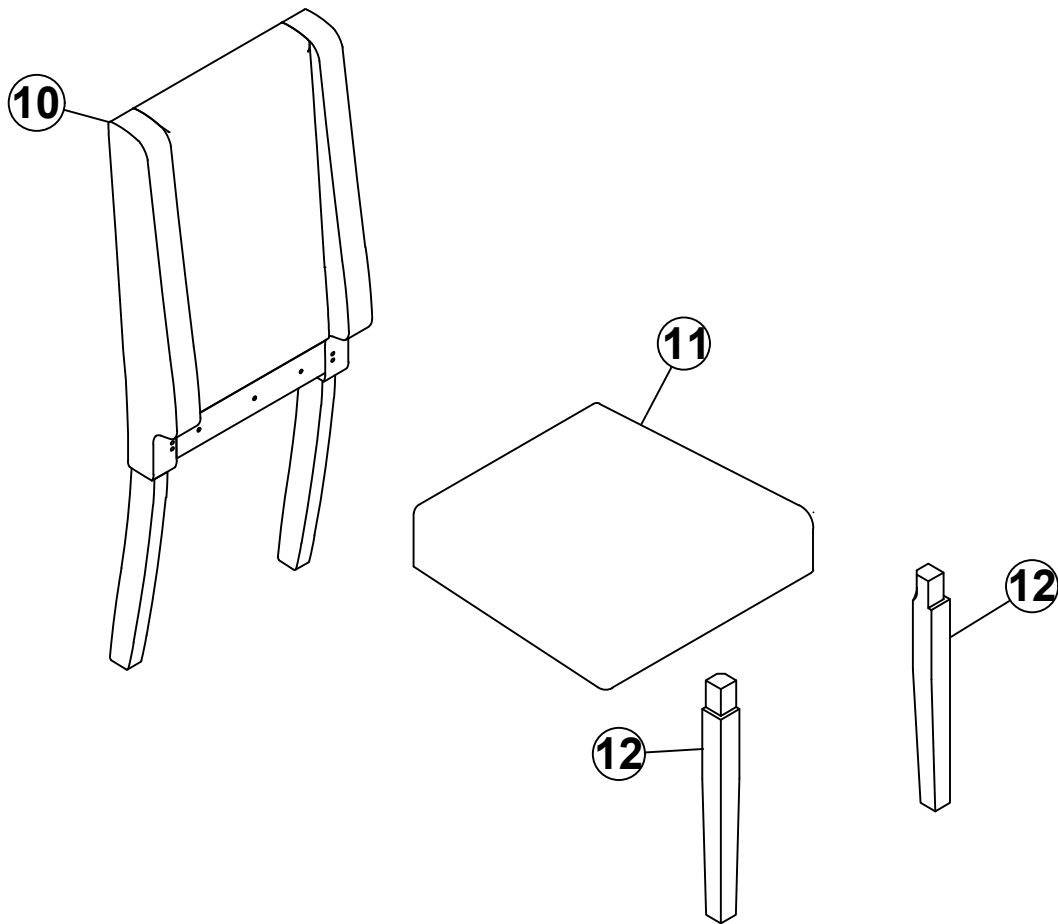
# ASSEMBLY INSTRUCTIONS

## DINING CHAIR



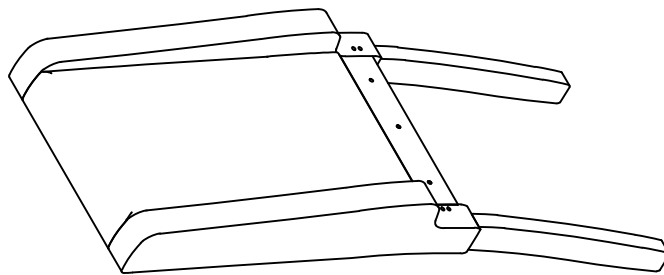
**IMPORTANT NOTE :**

- ① PLACE ALL PARTS ON A CLEAN AND SMOOTH SURFACE SUCH AS A RUG OR CARPET TO AVOID THE PARTS FROM BEING SCRATCHED.
- ② BEFORE YOU BEGIN , KINDLY FOLLOW THE ASSEMBLY INSTRUCTIONS STEP BY STEP.
- ③ DO NOT TIGHTEN ALL SCREWS AND BOLTS UNTIL THE CHAIR IS FULLY SET-UP



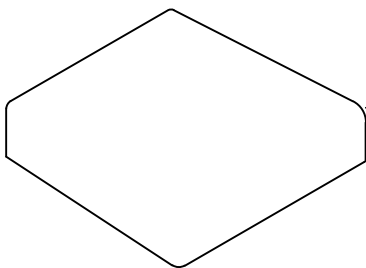
## Part List For One Chair

10



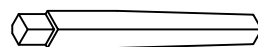
BACK FRAME (1pc)

11



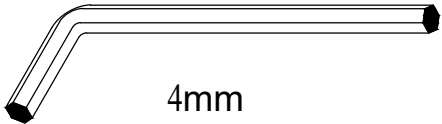
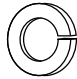

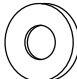



SEAT FRAME (1pc)

12

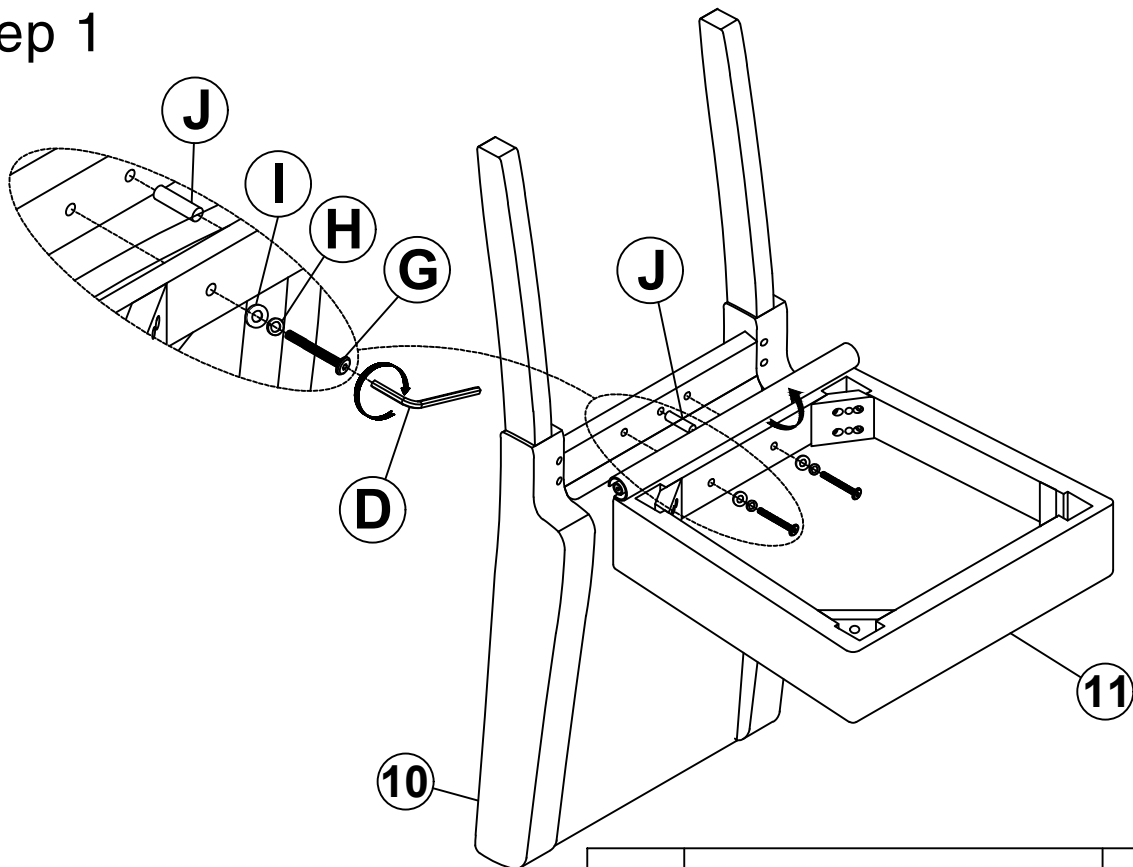







LEGS CHAIR (2pcs)

# Hardware List For One Chair

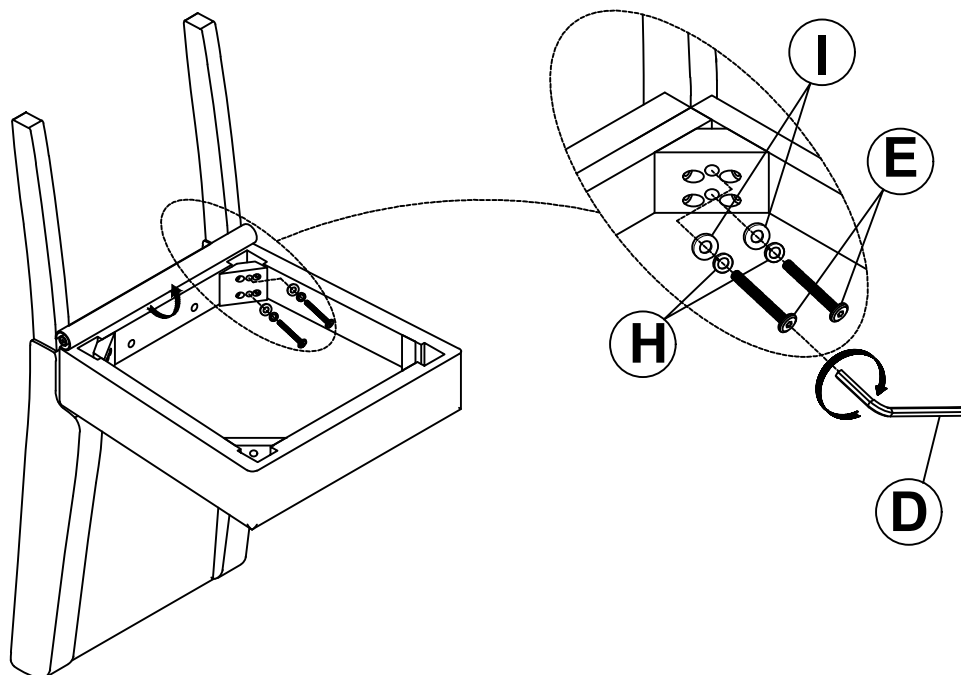
<b>D</b>	 4mm ALLENKEY (1pc)	<b>H</b>	 Ø1/4" x 13mm SPRING WASHER (10pcs)
<b>E</b>	 Ø1/4" x 75mm BOLT (4pcs)	<b>I</b>	 Ø1/4" x 19mm FLAT WASHER (10pcs)
<b>F</b>	 Ø1/4" x 50mm BOLT (4pcs)	<b>J</b>	 Ø10 x 30mm WOODEN PEGS (1pc)
<b>G</b>	 Ø1/4" x 35mm BOLT (2pcs)		




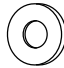
## Step 1



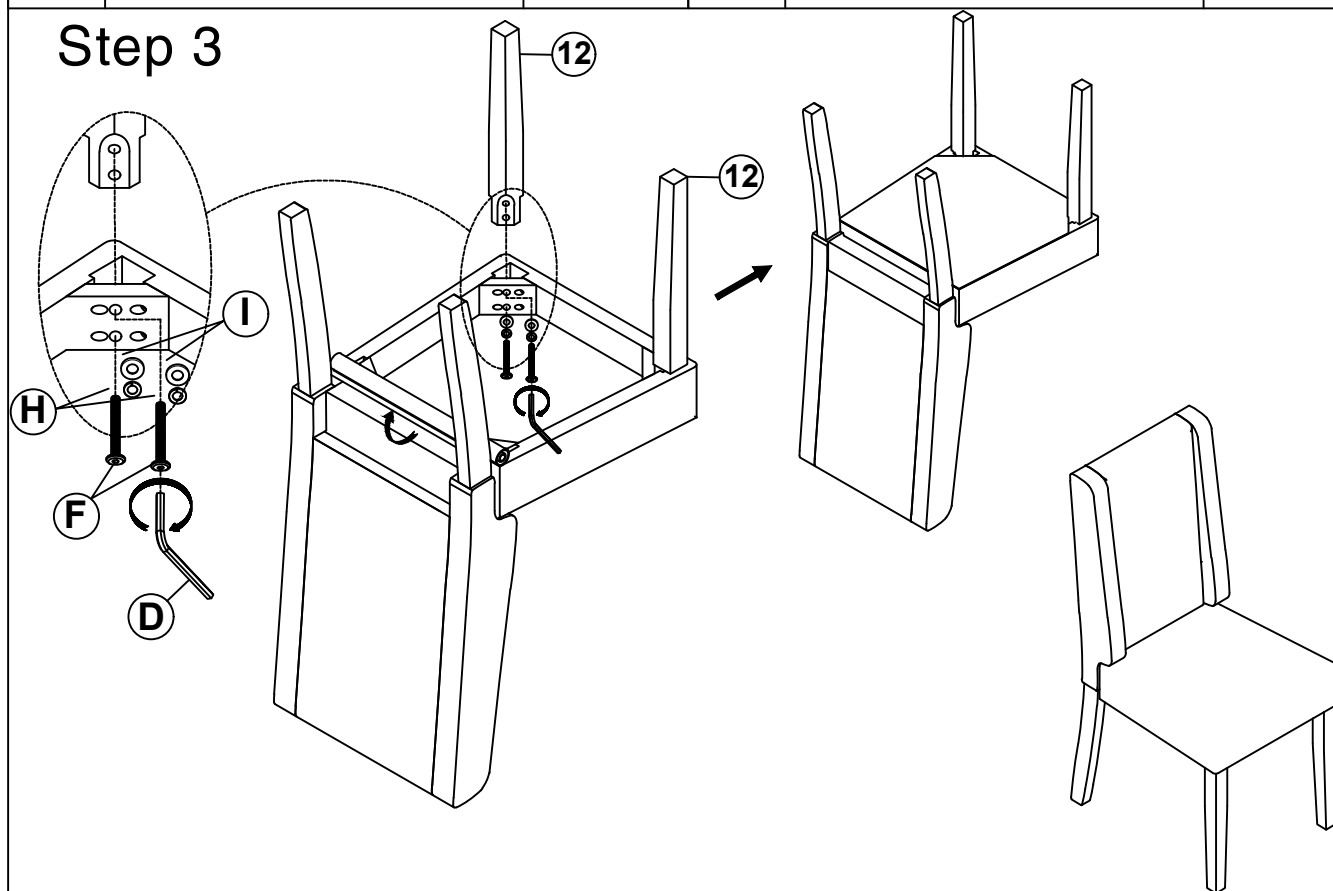
<b>J</b>	Ø10x30		1PC	<b>H</b>	Ø1/4"x13		2PCS
<b>G</b>	Ø1/4"x35		2PCS	<b>I</b>	Ø1/4"x19		2PCS
				<b>D</b>	4x58		1PC


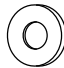


## Step 2



<b>D</b>	4x58		1PC	<b>H</b>	Ø1/4"x13		4PCS
<b>E</b>	Ø1/4"x75		4PCS	<b>I</b>	Ø1/4"x19		4PCS

## Step 3



<b>F</b>	Ø1/4"x50		4PCS	<b>I</b>	Ø1/4"x19		4PCS
<b>H</b>	Ø1/4"x13		4PCS	<b>D</b>	4x58		1PC