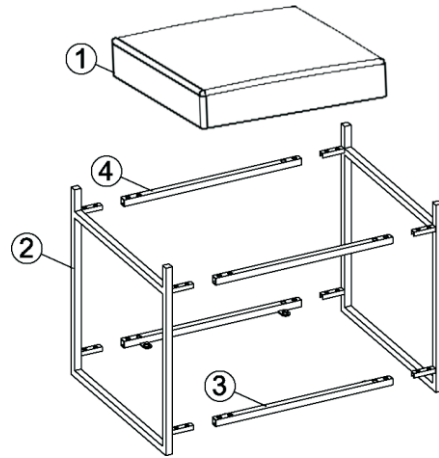
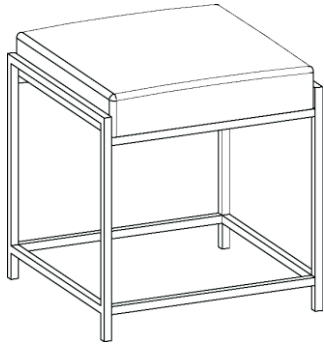






# ASSEMBLY INSTRUCTIONS

<<Before assembling, read all the instructions>>



M6  Ax16	M6  Bx20	 Cx1	M6  Dx4
--	---	--	--

