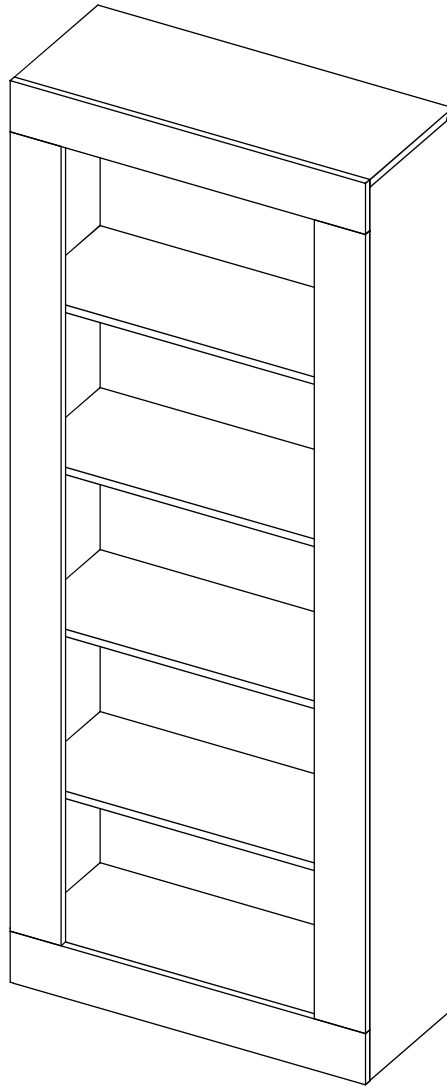


# ASSEMBLY INSTRUCTIONS

## INSTRUCCIONES DE ENSAMBLE



Height: 70,3 in  
Width: 27,6 in  
Depth: 11,8 in

Alto: 178,7 cm  
Ancho: 70,2 cm  
Fondo: 30 cm

**LOT N°**

**IF ANY PARTS ARE BROKEN OR  
MISSING PLEASE CONTACT US  
AT: 1-888-391-01-66 /**

**OUR CUSTOMER SERVICE TEAM WILL PROVIDE  
YOU HELP TO RESOLVE ANY ISSUES IMMEDIATELY**

**ANDINA BOOKCASE**  
Biblioteca Andina



## IMPORTANT RECOMMENDATIONS

## RECOMENDACIONES IMPORTANTES

Do not paint the cabinet.

No pintar el mueble.

The cabinet **MUST** be used exclusively indoors, do not expose to direct sun.

El mueble debe ser usado únicamente en interiores, no exponer al sol directo.

Clean metallic hardware with a dry cloth.

Limpiar los herrajes metálicos con un paño seco.

Do **NOT** overload the cabinet (see suggested loads).

NO sobrecargar el mueble (ver las cargas sugeridas).

Do not hit or hammer the cabinet (just when indicated).

No golpear ni martillar el mueble (solo cuando se indique).

Clean with a slightly damp cloth, use gentle soaps.

Limpiar con un paño ligeramente húmedo, usar jabones suaves.

Do not drag, lift and move between two people.

No arrastre el mueble, levántelo entre dos personas.

Avoid direct contact with water, fire or exposure to heat sources.

Evite el contacto directo con el agua, el fuego o la exposición a fuentes de calor.



### WARNING

Never allow children to climb or manipulate the cabinet, furniture tip over can cause serious injuries or death.



### ADVERTENCIA

Nunca permita que los niños escalen o manipulen el mueble, la caída de este puede provocar lesiones graves o la muerte.

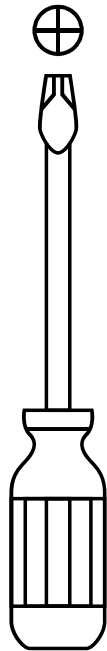
## INDEX

Assembly Hardware .....	4
Assembly Parts .....	5
Suggested Loads .....	6
Assembly Recommendations .....	6
Assembly Steps .....	7-17
Warranty .....	18

## ÍNDICE

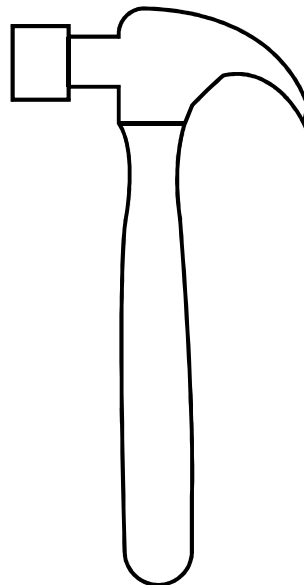
Herrajes para Armado.....	4
Piezas de Armado.....	5
Cargas Sugeridas.....	6
Recomendaciones de Ensamble.....	6
Pasos de Armado.....	7-17
Garantía .....	18

## REQUIRED TOOLS\*



\*Not included, and not shown actual size.

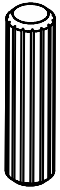
## HERRAMIENTAS NECESARIAS\*



\*No incluidas y no se muestran en tamaño real.

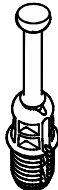
## ASSEMBLY HARDWARE

Please check that the hardware content is correct. If any item is missing, please call to our customer service line.



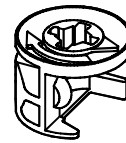
**x48**

Wood Dowel  
Tarugo



**x36**

Spreading Bolt  
Perno Minifix



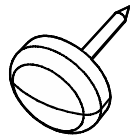
**x36**

Minifix Cams  
Minifix



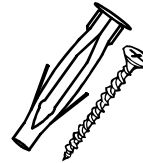
**x40**

Cover Caps  
Tapa Adhesiva  
Minifix



**x6**

Nail-on Glide  
Deslizador Puntilla



**x2**

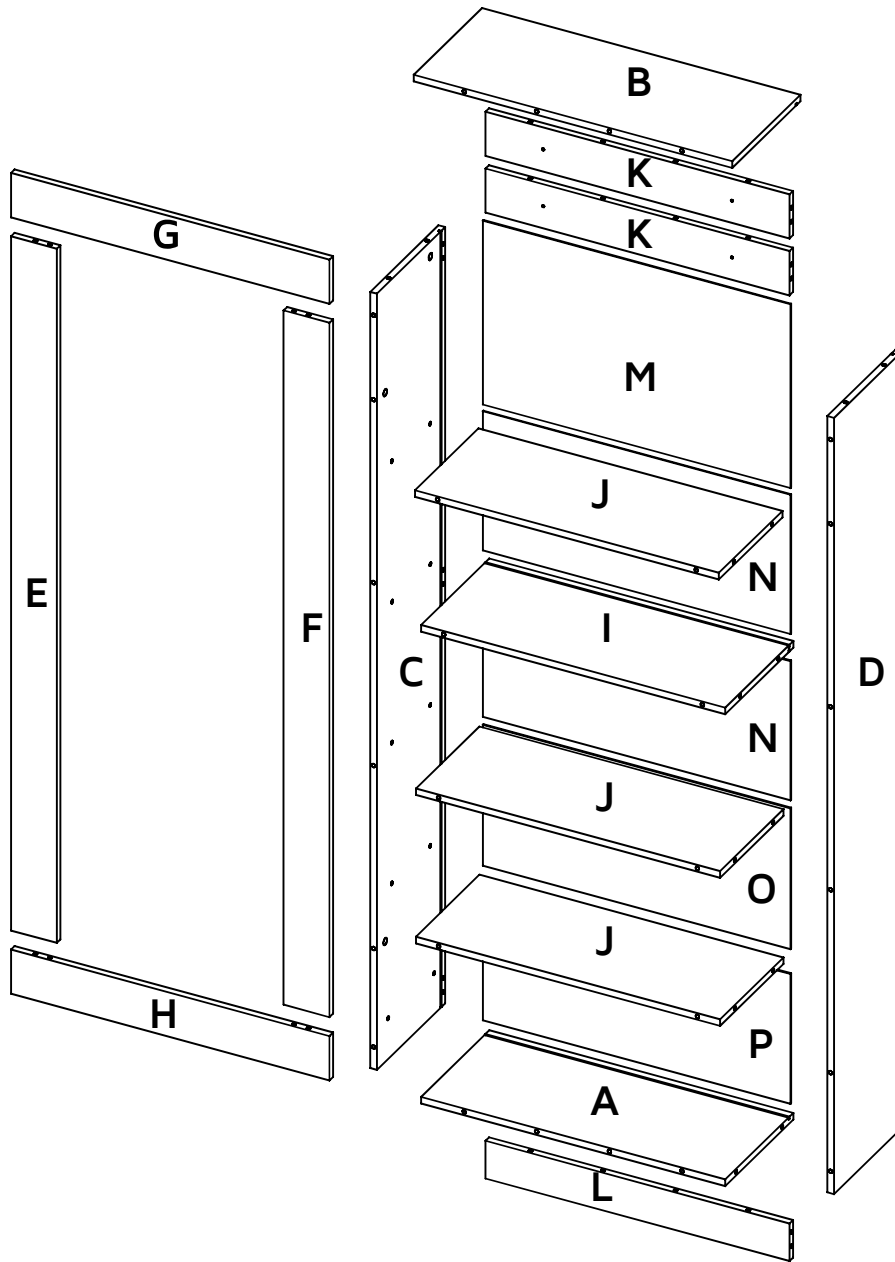
Wall Anchor +  
Drywall Screw  
Chazo Mariposa +  
Tornillo de Ensamble

Hardware items are NOT shown actual size.

Los herrajes no se muestran en el tamaño real.

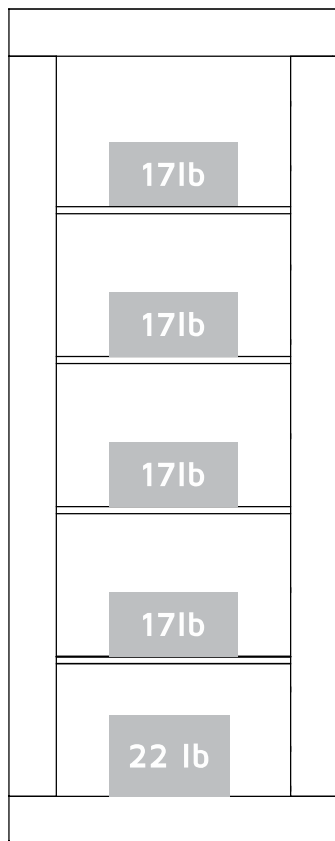
# ASSEMBLY PARTS

# PIEZAS DE ARMADO



A - x1	G - x1	M - x1
B - x1	H - x1	N - x2
C - x1	I - x1	O - x1
D - x1	J - x3	P - x1
E - x1	K - x2	
F - x1	L - x1	

## MAX SUGGESTED LOADS



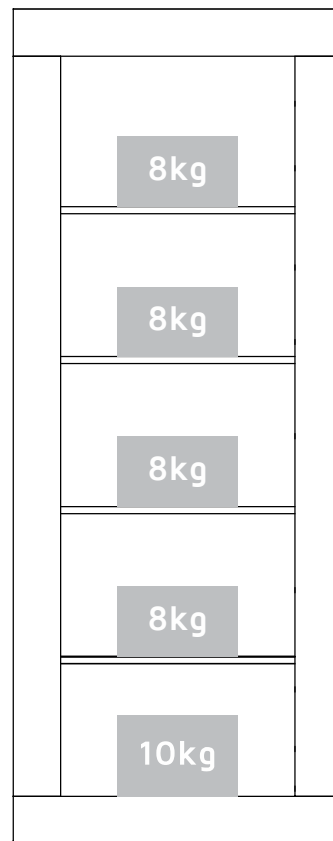
## ASSEMBLY RECOMMENDATIONS

Two people are recommended to assemble the product.

Assemble the cabinet on a flat, smooth surface, preferably on a carpeted floor or the carton box of the product.

Carefully read the assembly instructions and identify every wood and hardware part before start assembling the cabinet.

## CARGAS MÁXIMAS SUGERIDAS



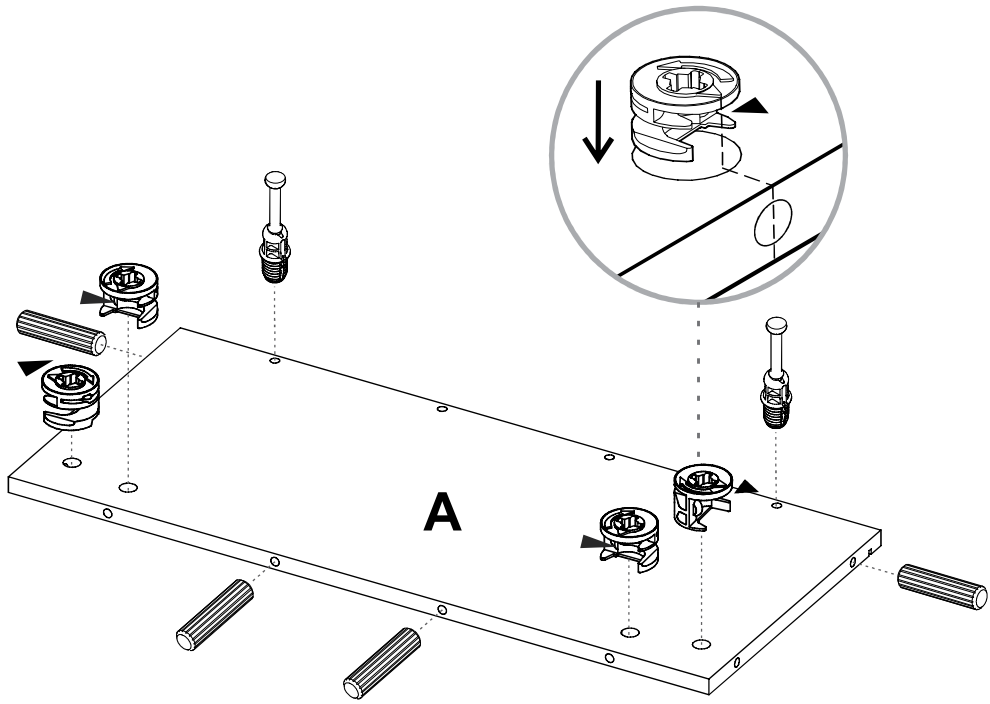
## RECOMENDACIONES DE ENSAMBLE

Ensamble el mueble entre dos personas.

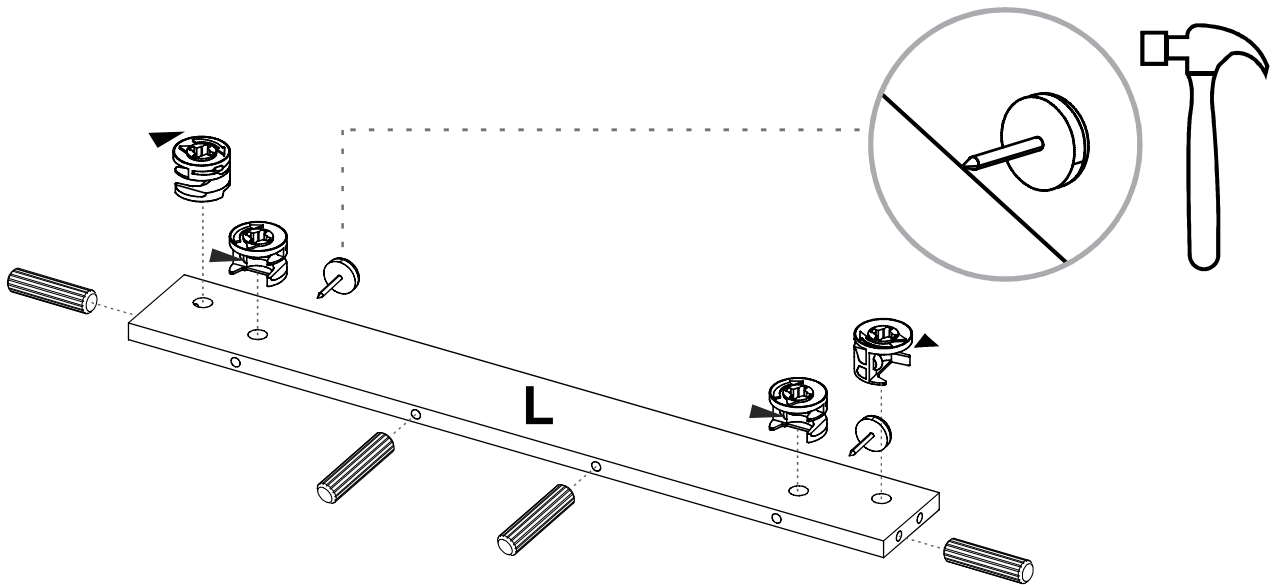
Ensamble el mueble sobre una superficie plana y lisa, preferiblemente sobre un tapete o el cartón de la caja

Lea cuidadosamente las instrucciones e identifique todas las piezas y herrajes antes de empezar a armar el mueble.

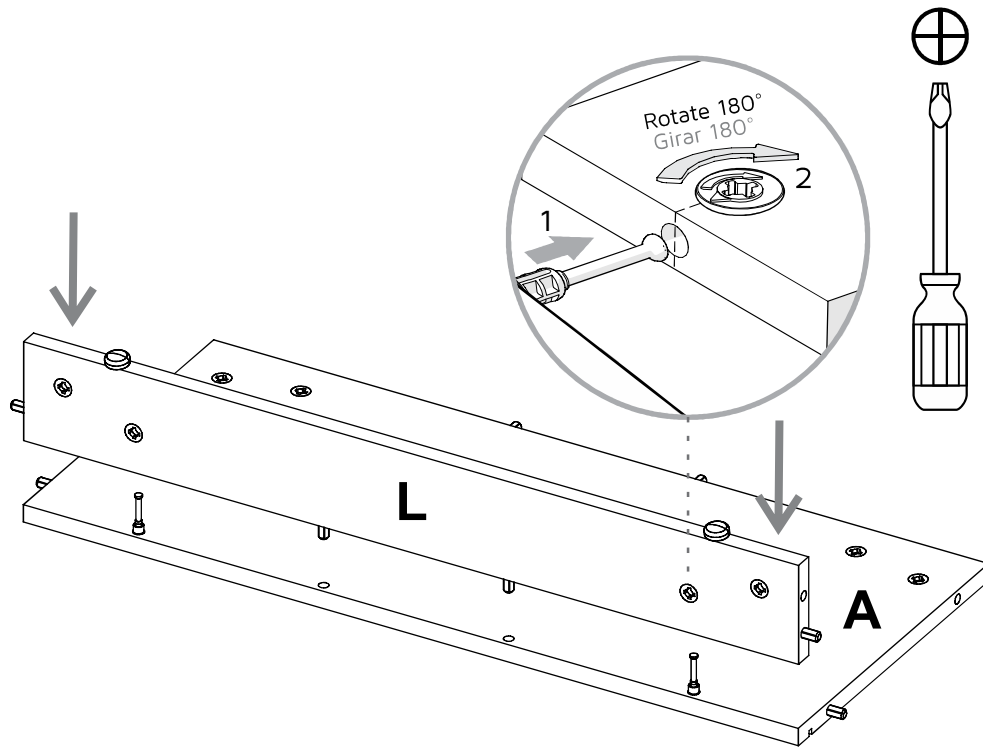
1



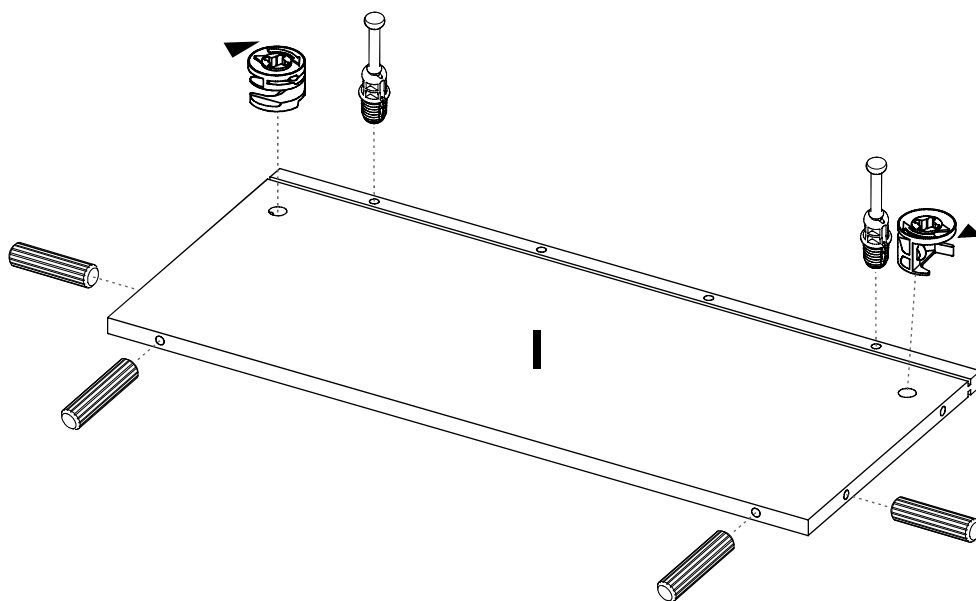
2



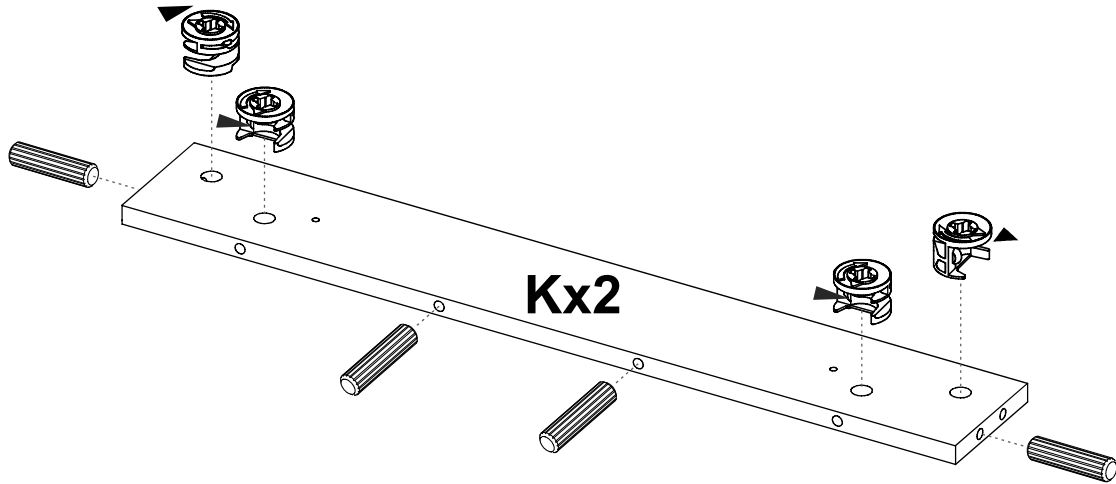
3



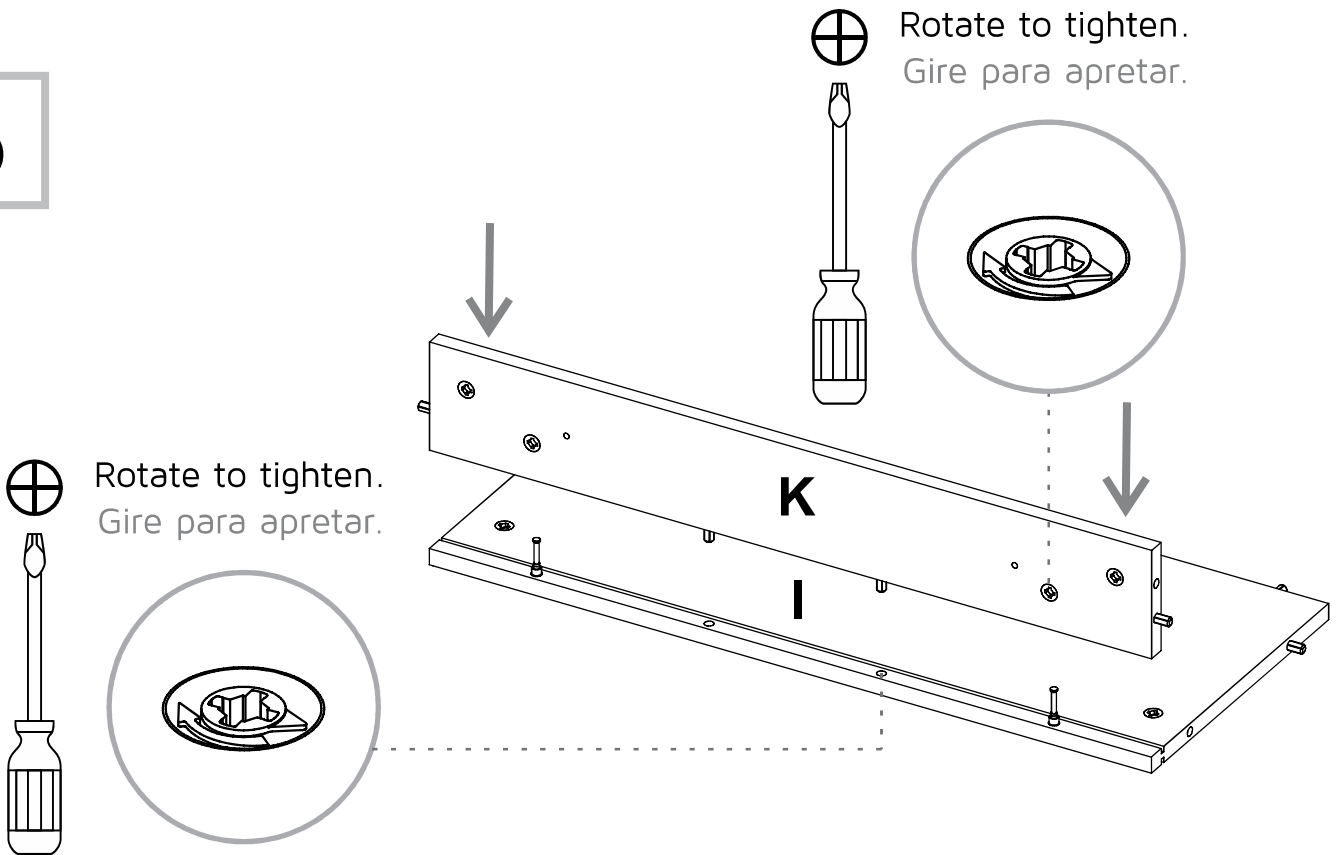
4



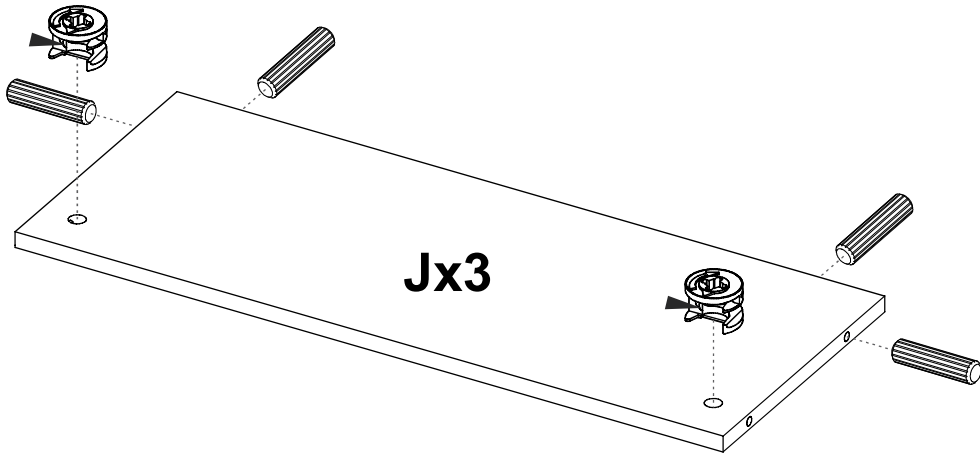
5



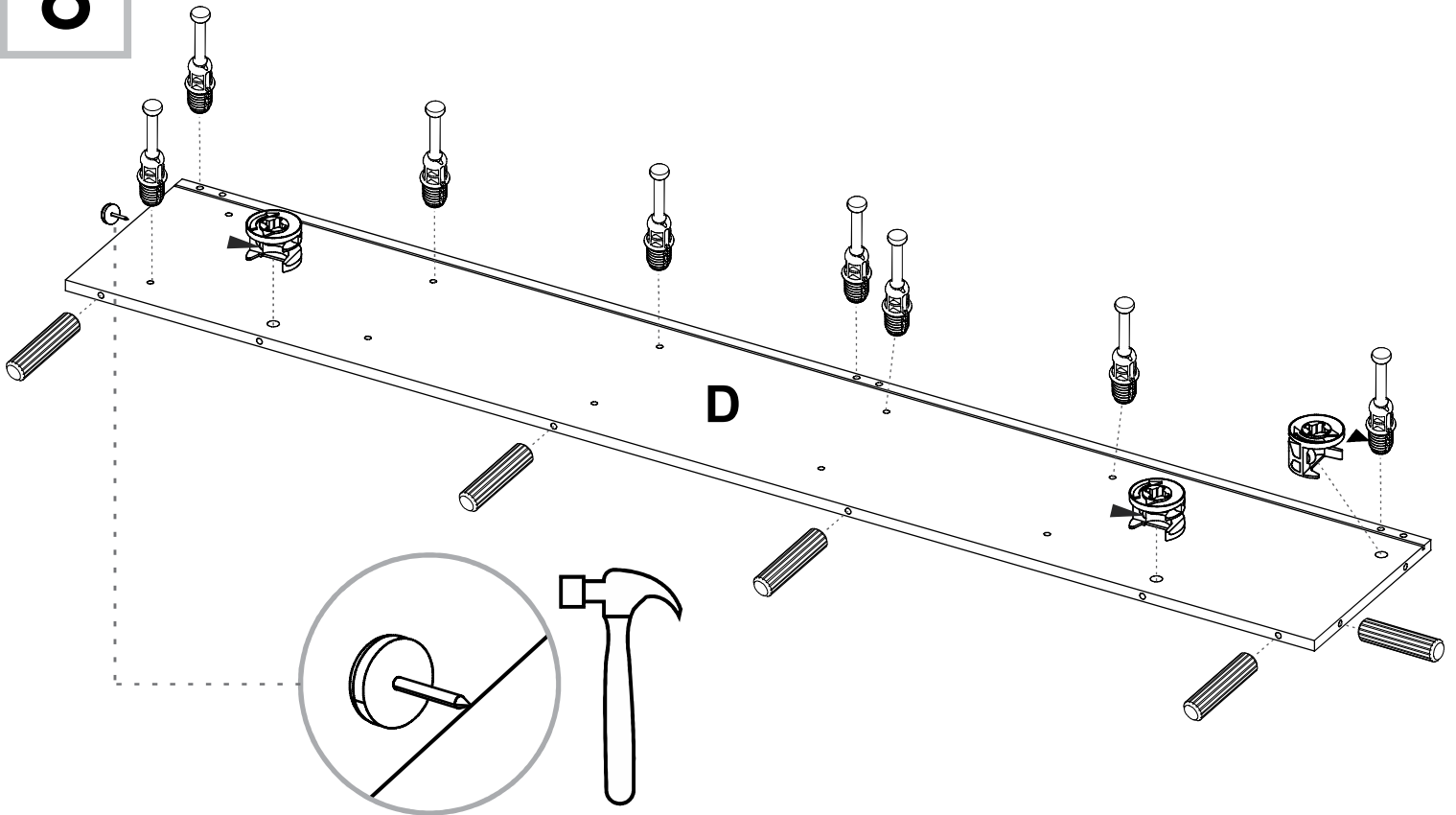
6



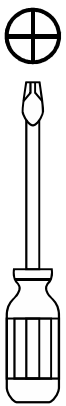
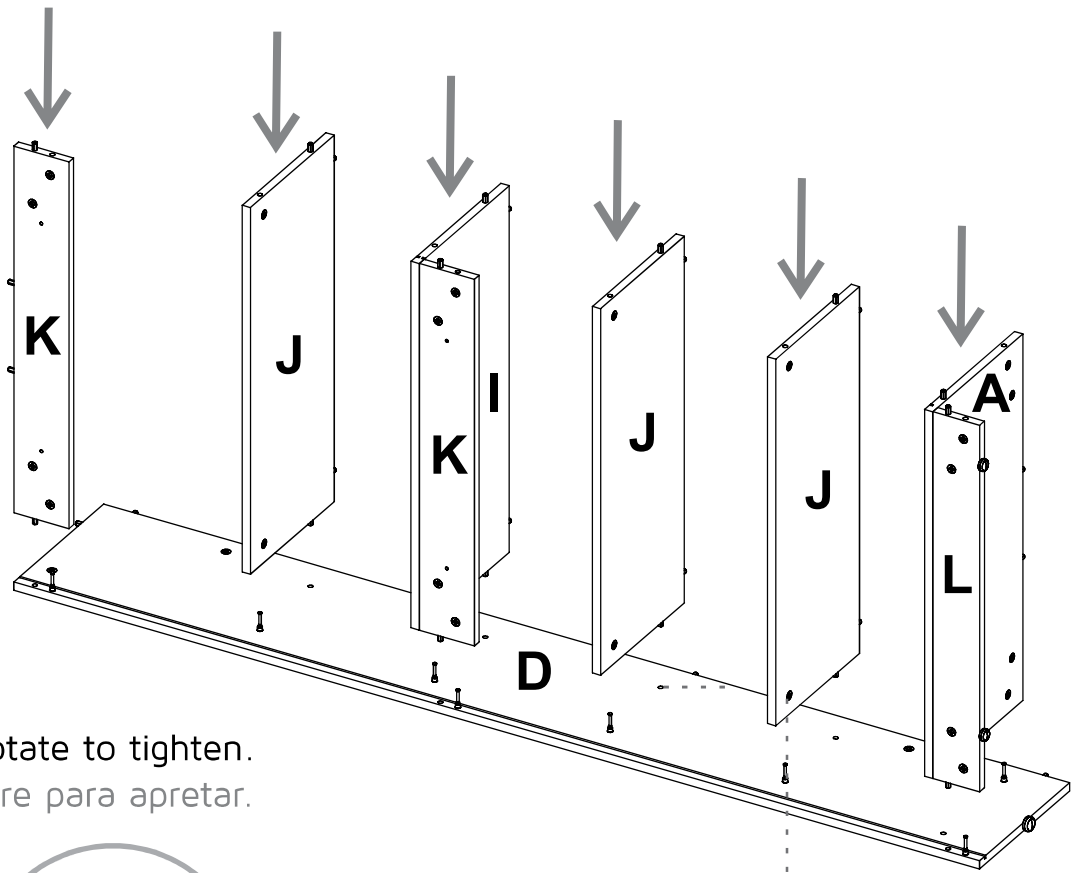
7



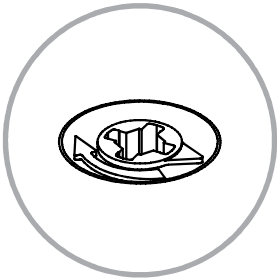
8



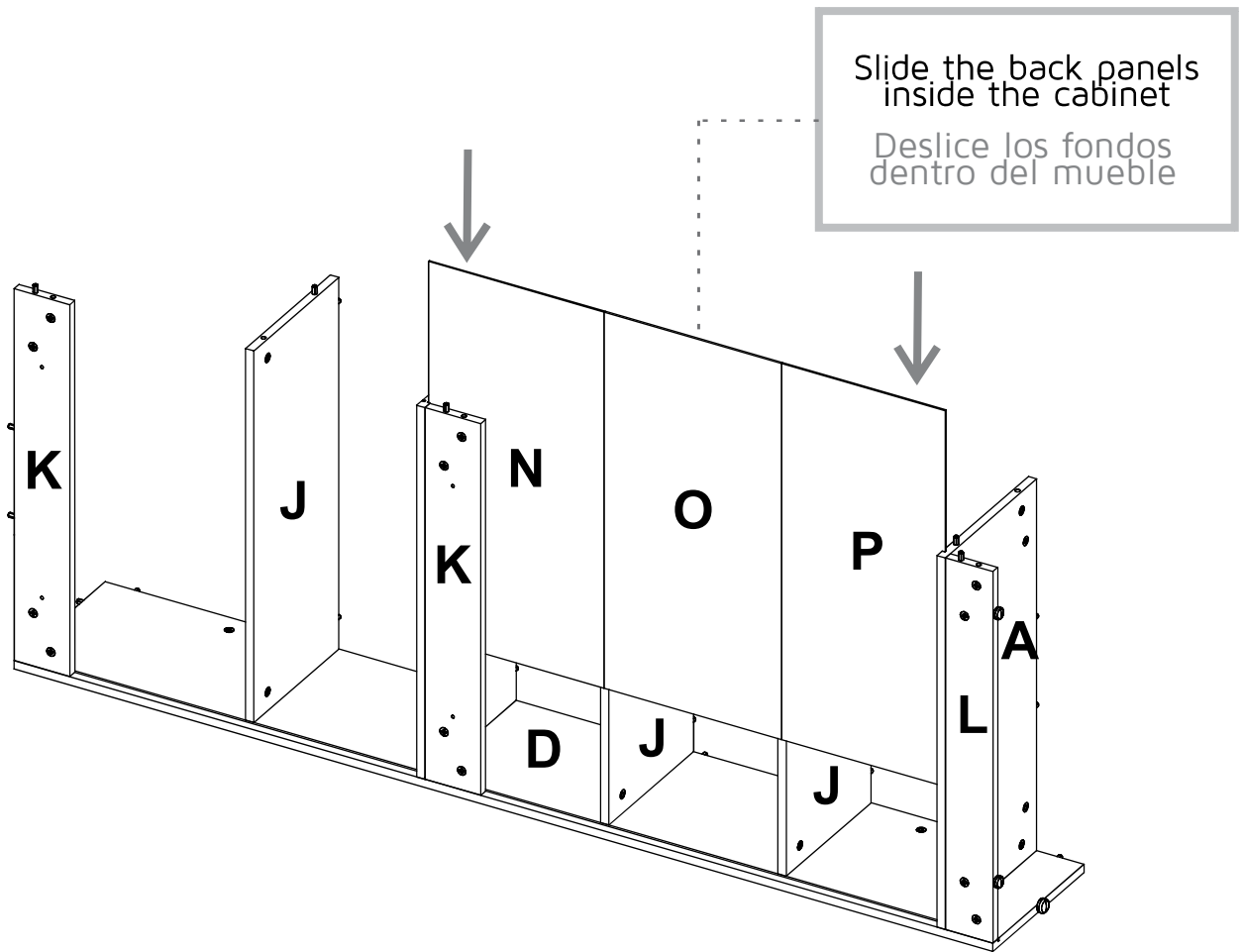
9



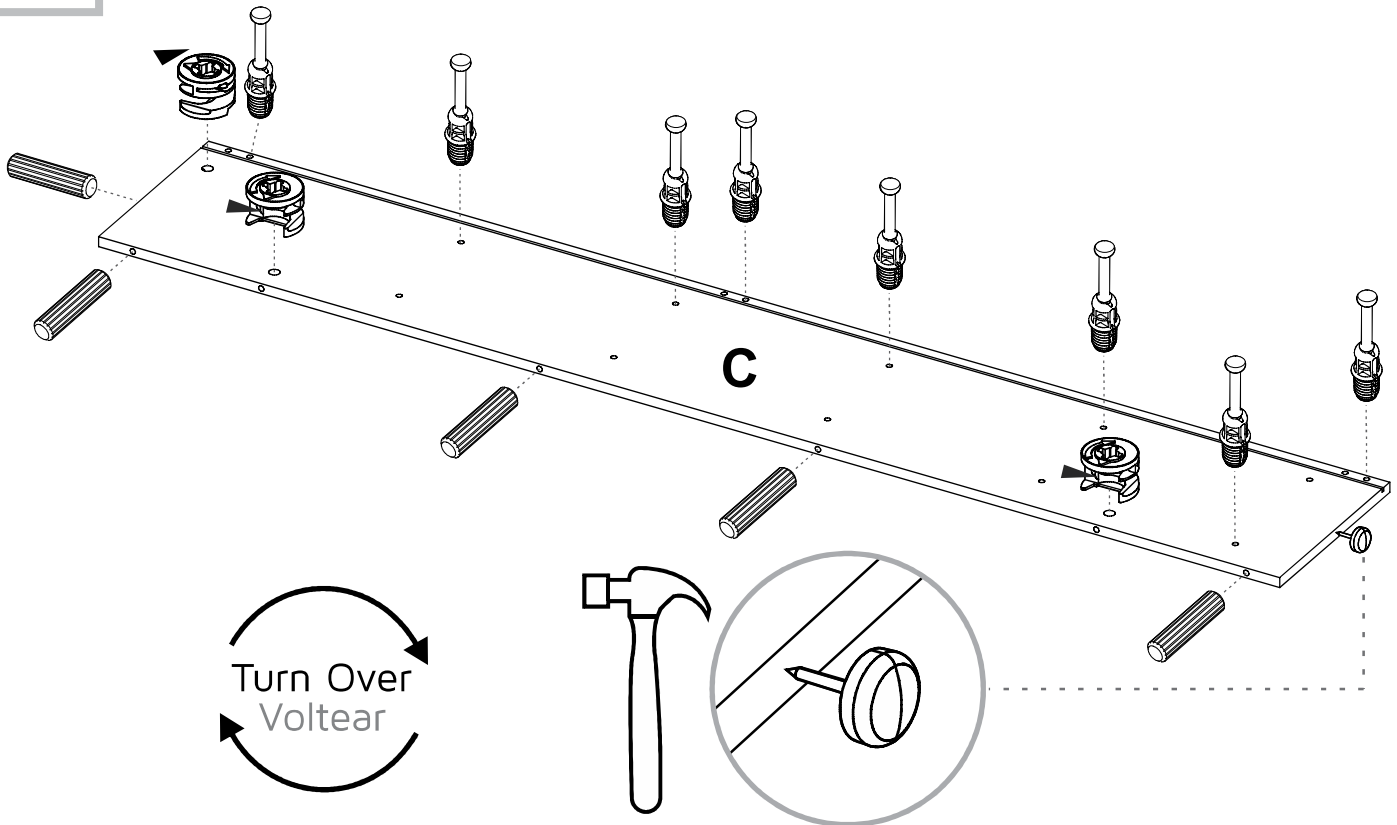
Rotate to tighten.  
Gire para apretar.



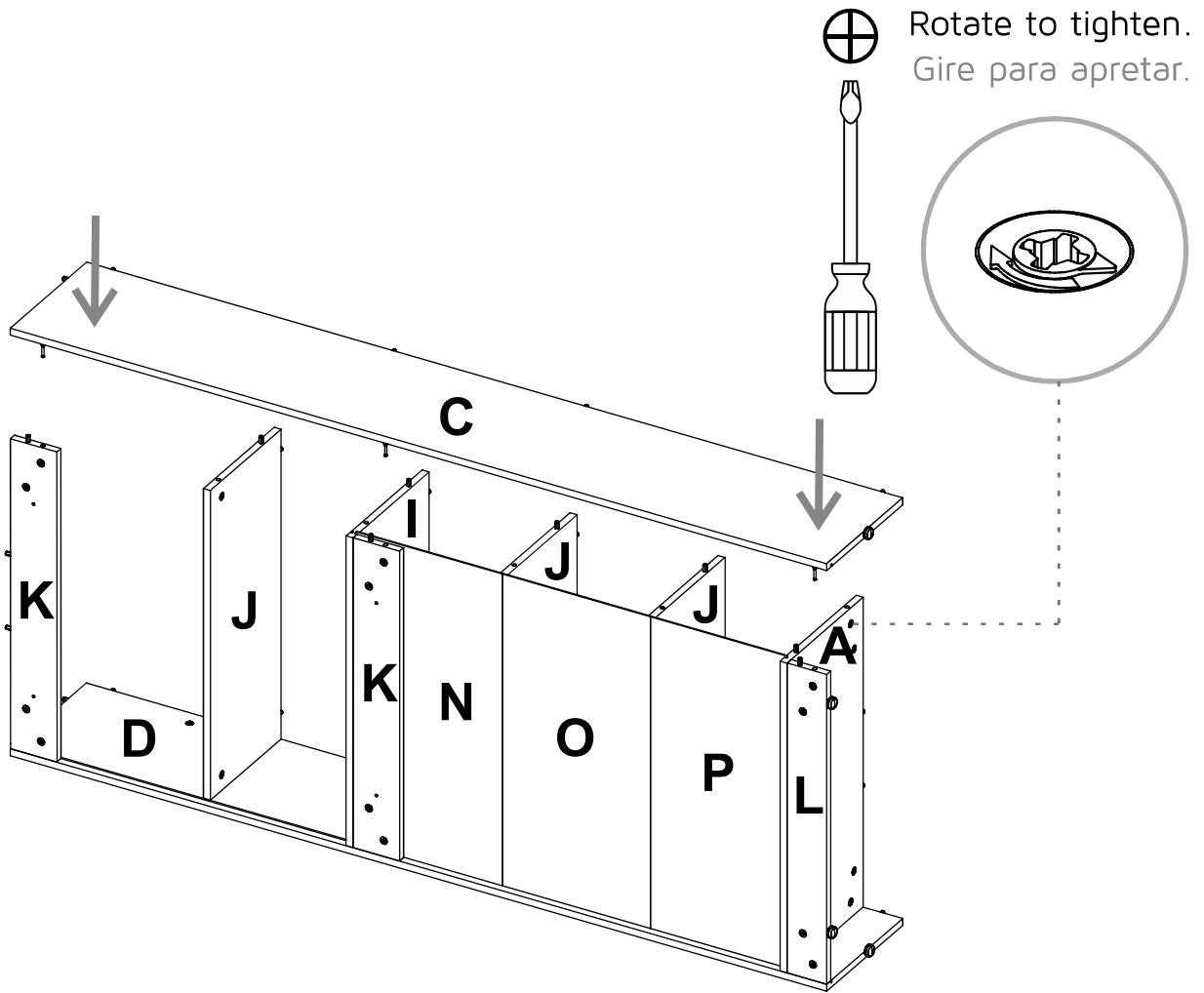
10



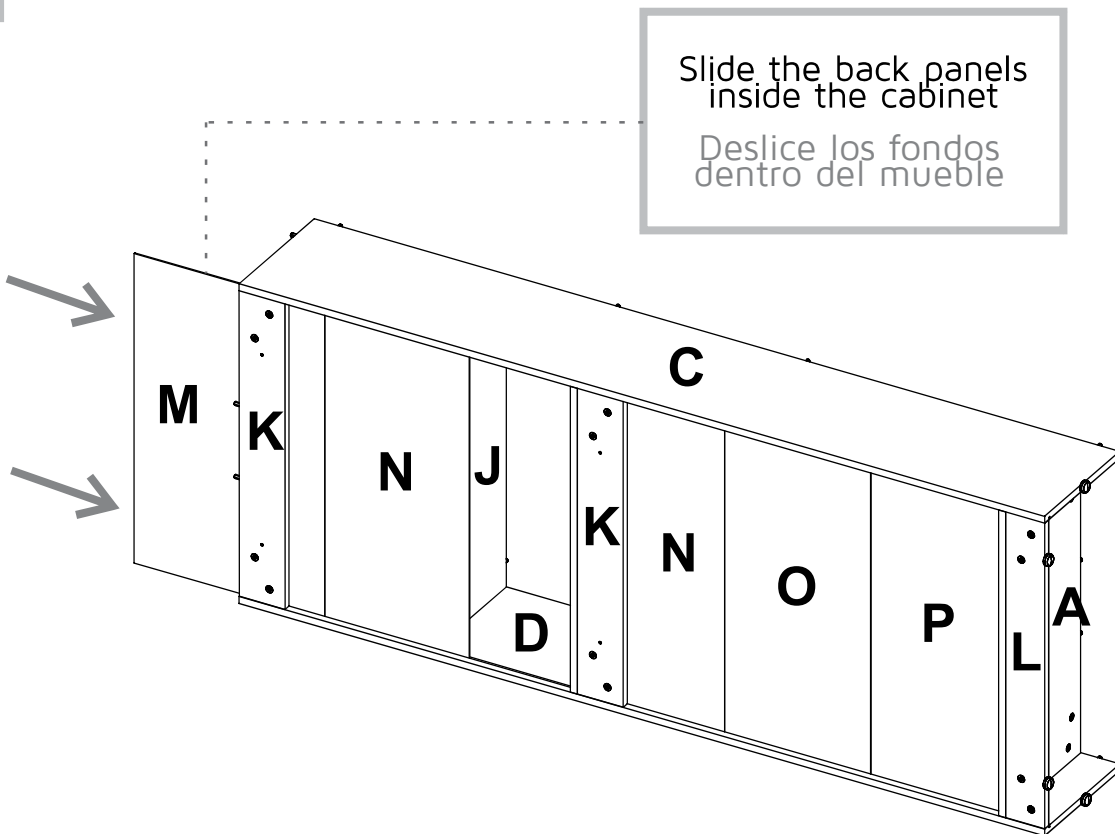
11



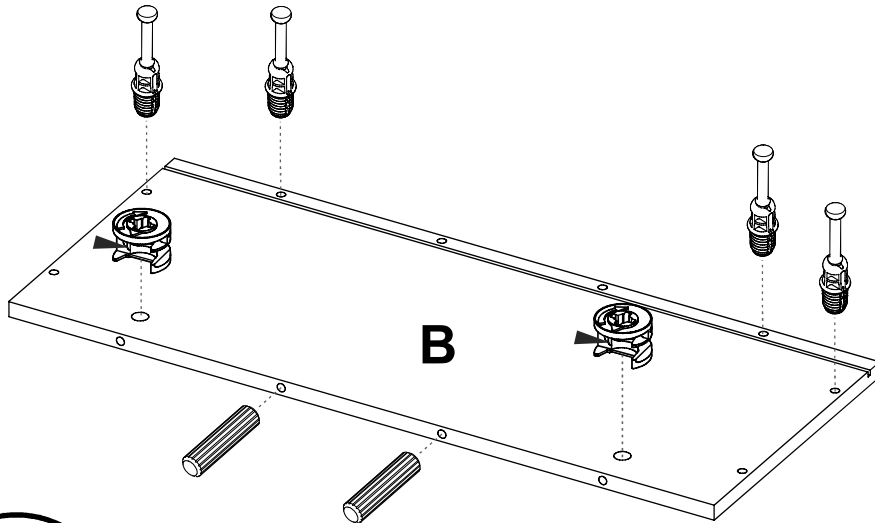
12



13



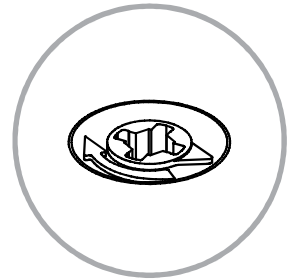
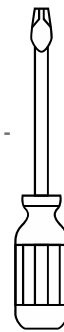
14



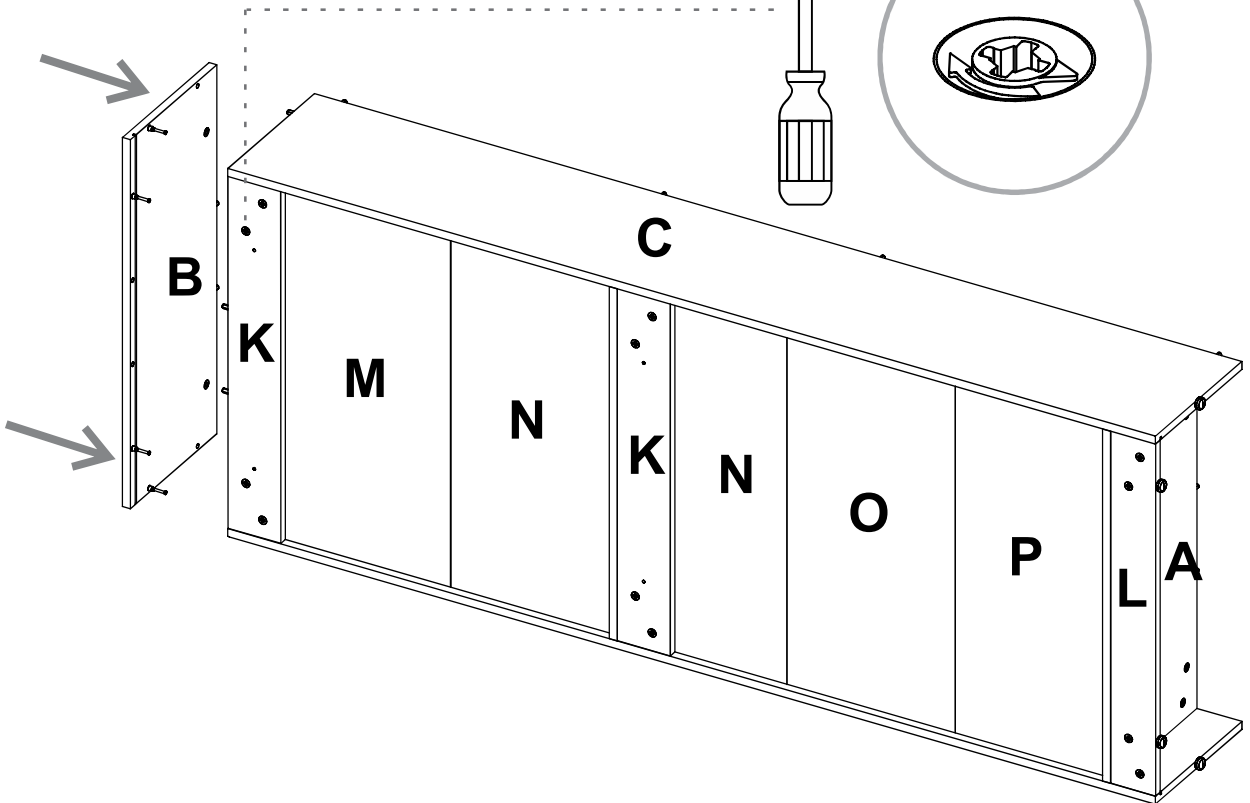
Turn Over  
Voltear



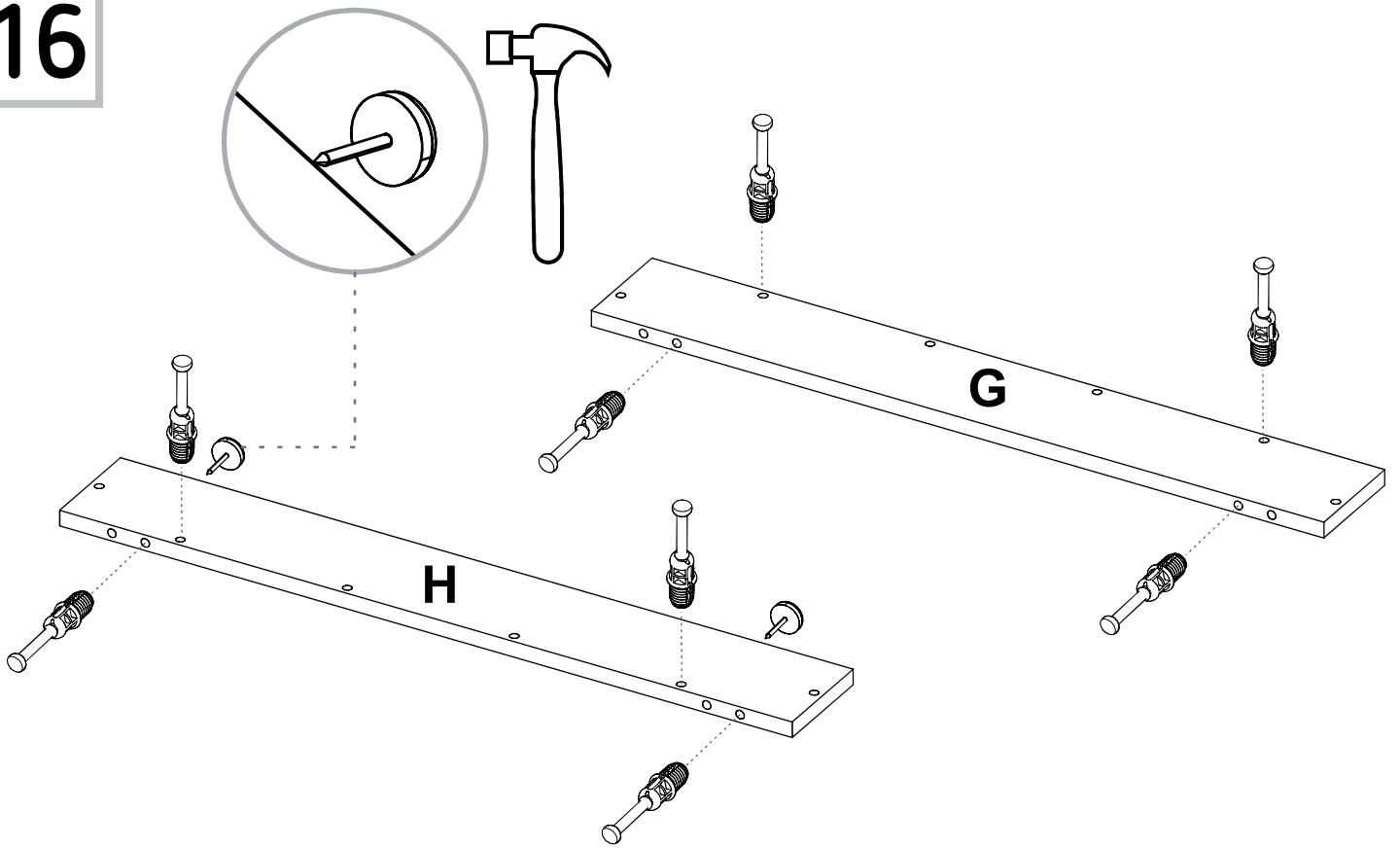
Rotate to tighten.  
Gire para apretar.



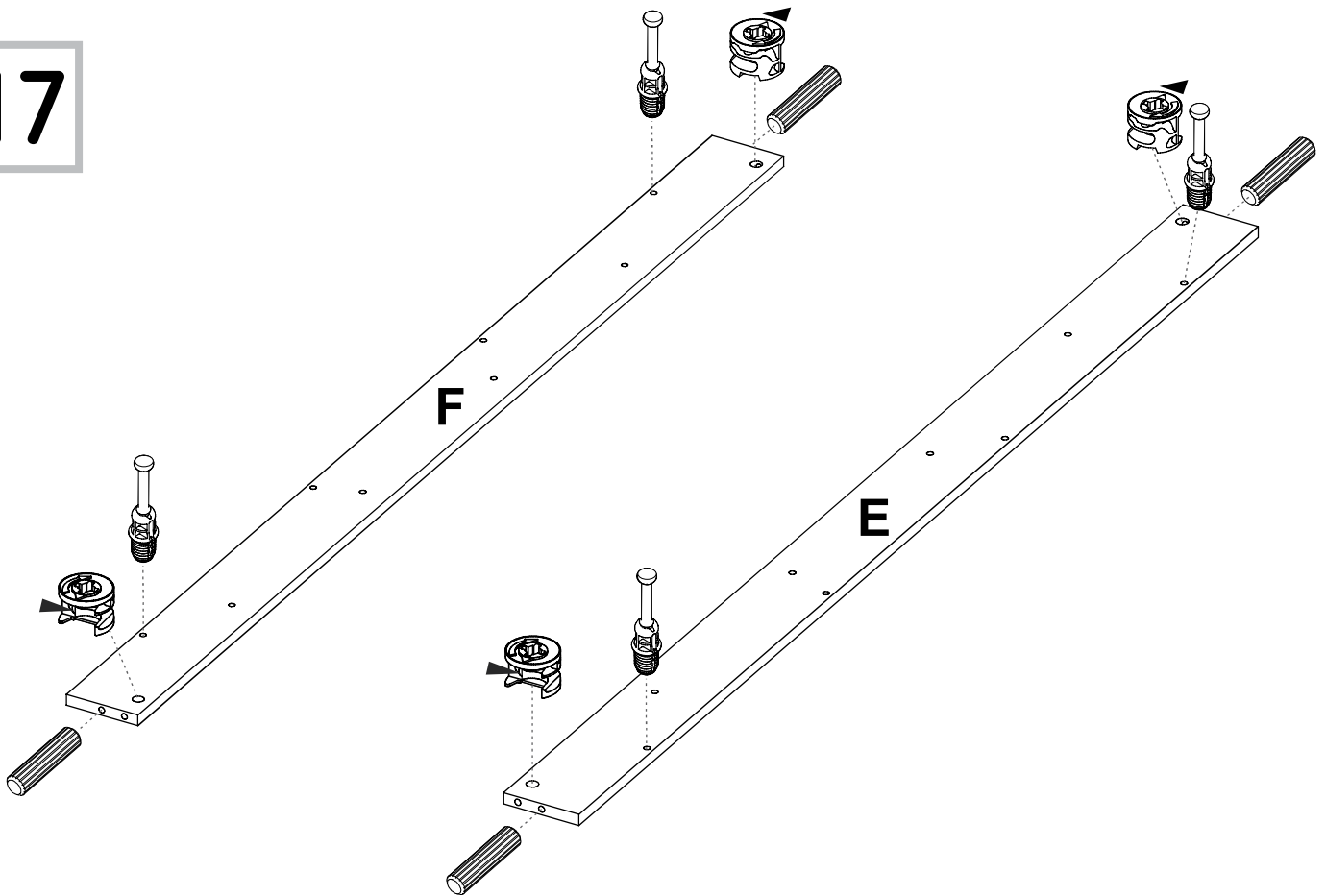
15



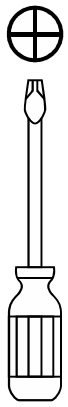
16



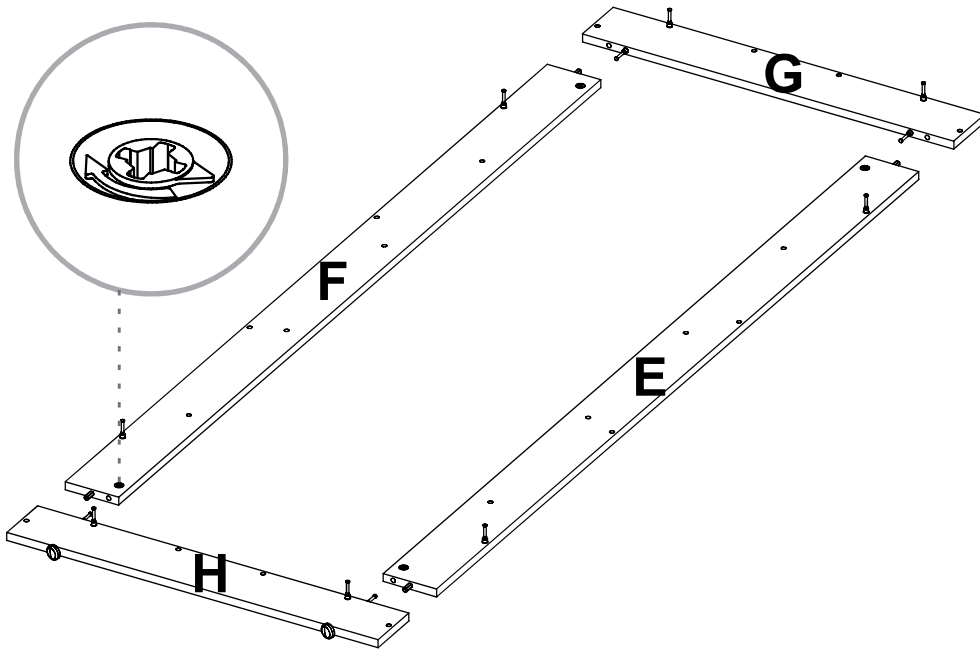
17



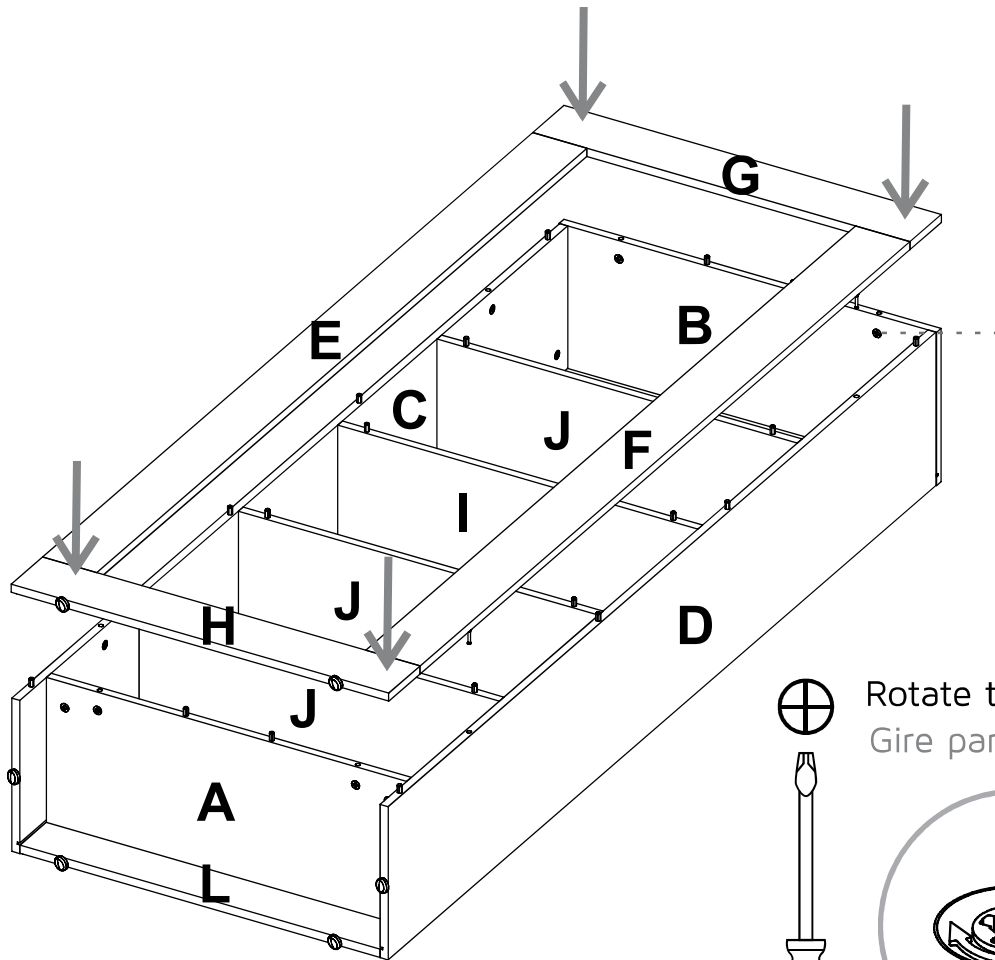
18



Rotate to tighten.  
Gire para apretar.



19



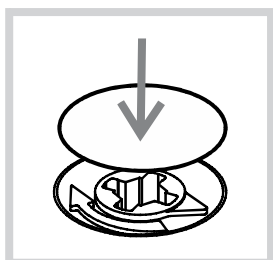
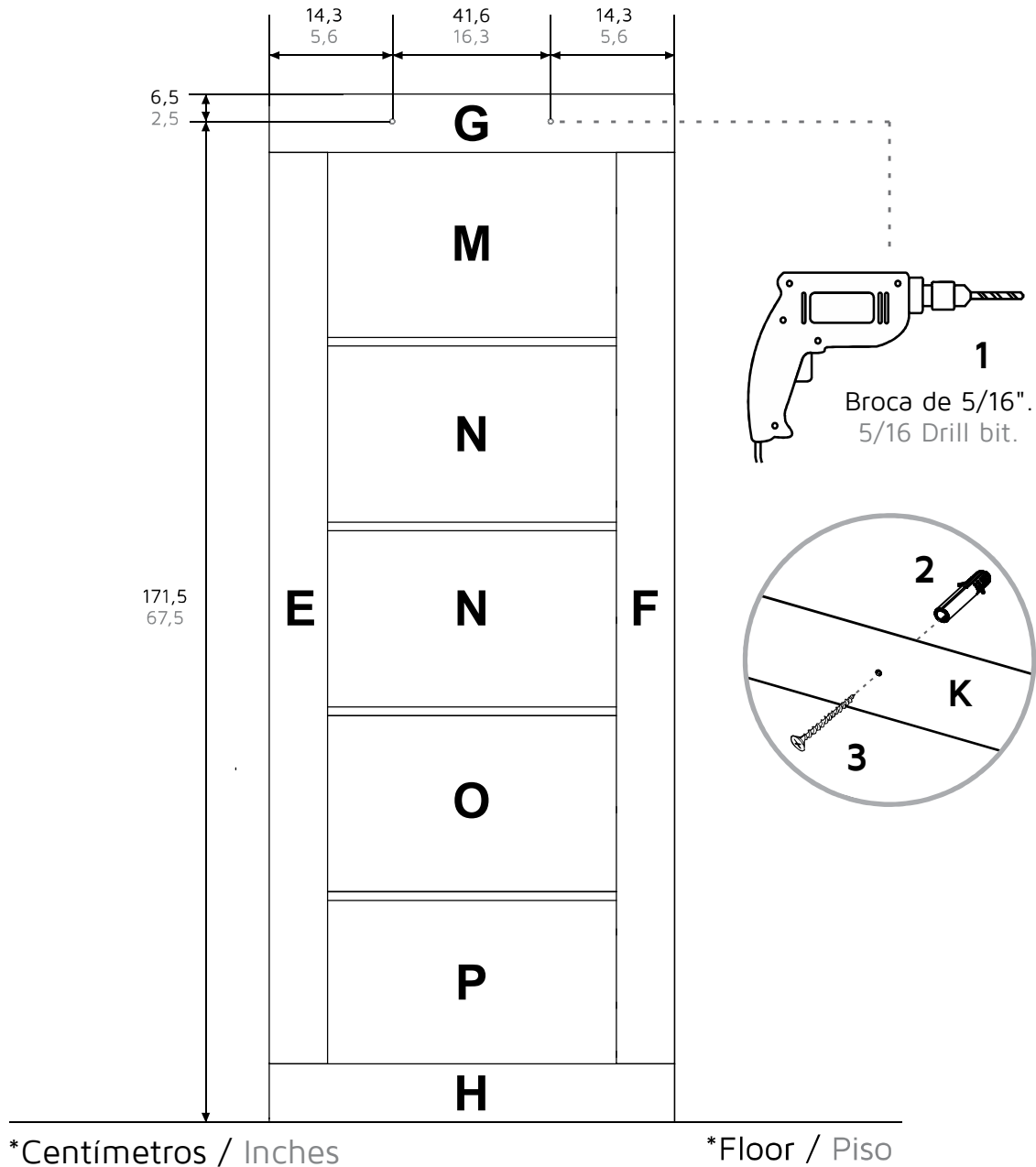
Rotate to tighten.  
Gire para apretar.

# 20

Be careful turning over the cabinet.  
Tenga cuidado al voltear el mueble.

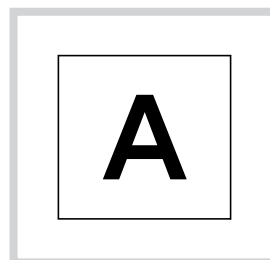


Fixing the cabinet to the wall  
Instalación del mueble a la pared



After you finish the adjustment of the cams, cover them with the cover caps.

Después de ajustar todas las cajas minifix, cúbralas con las tapas adhesivas.



After you finish assembling the cabinet, take off the adhesive letters.

Al terminar de armar, desprenda las letras adhesivas.

# WARRANTY POLICY

## PÓLIZA DE GARANTÍA

Furniture has a 1 year warranty coverage in wooden parts and 1 year warranty coverage in hardware pieces since its manufacturing date, which you can see in the lot number printed on the product box and the assembly instructions leaflet.

Warranty covers materials and workmanship imperfections which impair the assembly or correct functioning of the cabinet.

This warranty is not valid if the defects or imperfections are caused by the incorrect following of the assembly instructions, warnings and recommendations, misuse, intentional damage, fire or flood, or after modifications or any kind of alteration, or repaired by someone not authorized by Furniture, when it's been assembled 3 months after the date of purchase. These defects MUST be reported before the warranty coverage period ends. Once the product has been assembled, the company will not be responsible for defective and/or damaged parts.

This warranty is ONLY valid for the ORIGINAL PURCHASER, it doesn't apply if the product has been resold, rented, etc.

Furniture will take no liability for incidental or consequential damages caused to or by the product (This may not apply in your state).

To make this warranty valid you must write to our customer service email describing the product defect, lot number and submitting your sales receipt or proof of purchase, or contact us at our customer service line. Replaced parts will be under the product's original warranty coverage period. Damaged parts will become property of the company.

There are no other warranties applicable to this product.

**IF ANY PARTS ARE BROKEN OR  
MISSING PLEASE CONTACT US**

**AT: 1-888-391-01-66 /**

**OUR CUSTOMER SERVICE TEAM WILL PROVIDE  
YOU HELP TO RESOLVE ANY ISSUES IMMEDIATELY**