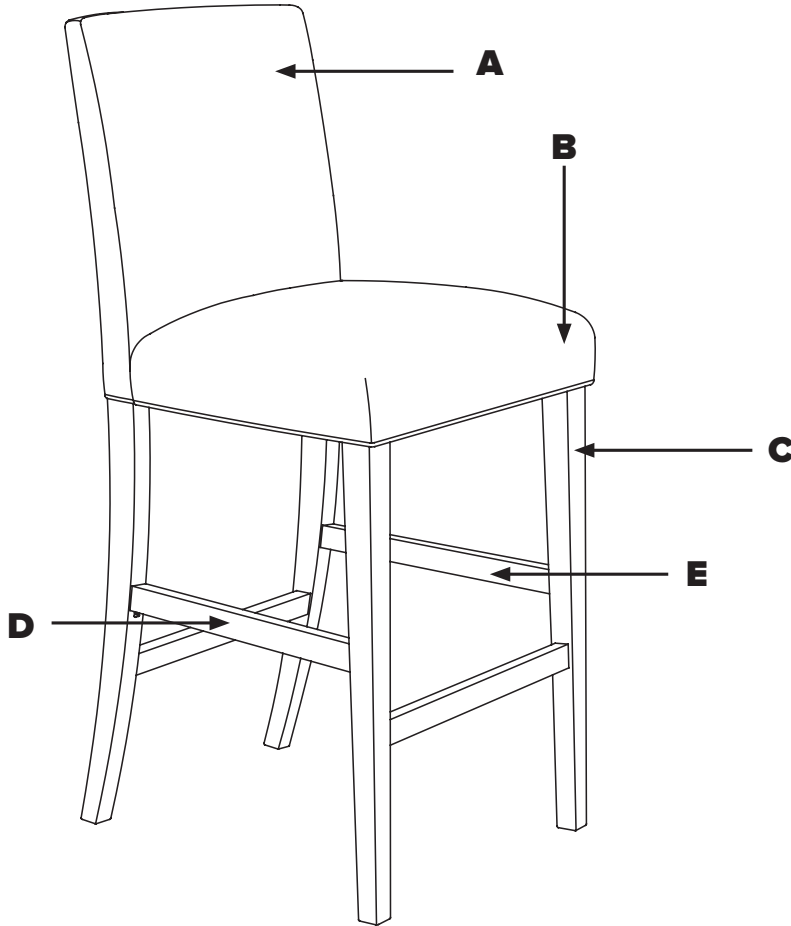




SKYLINE
FURNITURE
MFG.

STANDARD COUNTER + BAR STOOL ASSEMBLY

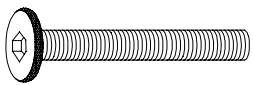
COMPONENTS



ITEM	DESCRIPTION	QTY
A	Back	1
B	Seat	1
C	Legs	1
D	Left facing rail	1
E	Right facing rail	1

Please note: actual product may look different than illustration.

HARDWARE



(H1) x 2
2" bolt



(H2) x 10
spring washer



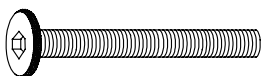
(H3) x 10
3/4" flat washer



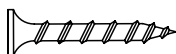
(H4) x 4
3 1/2" bolt



(H5) x 1
L wrench



(H6) x 4
2 1/2" bolt



(H7) x 4
screw

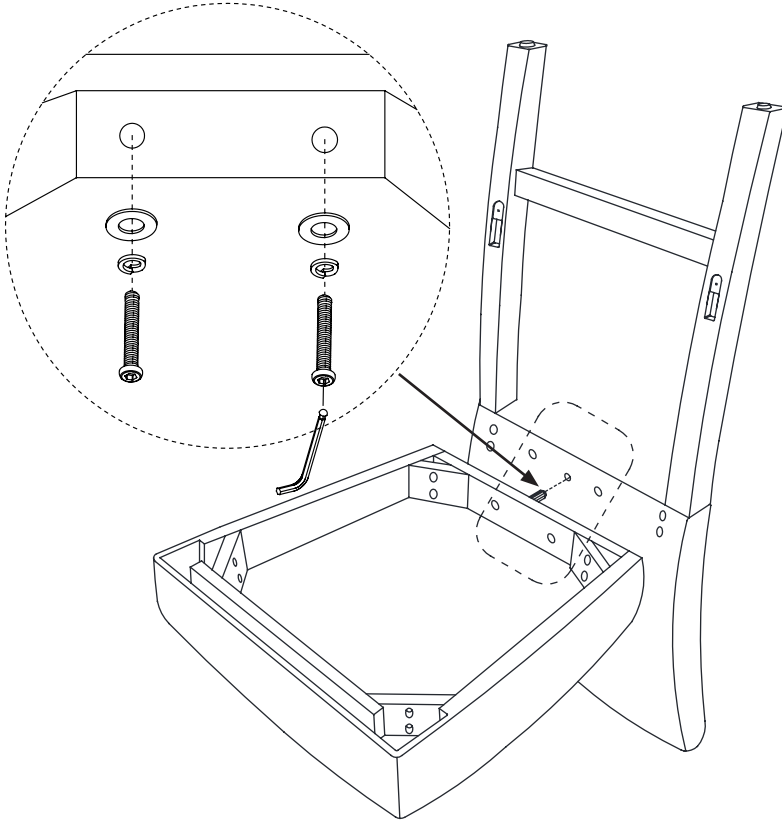
Please note: you will need a phillips head screwdriver for this assembly.



SKYLINE
FURNITURE
MFG.

STANDARD COUNTER + BAR STOOL ASSEMBLY

STEP 1

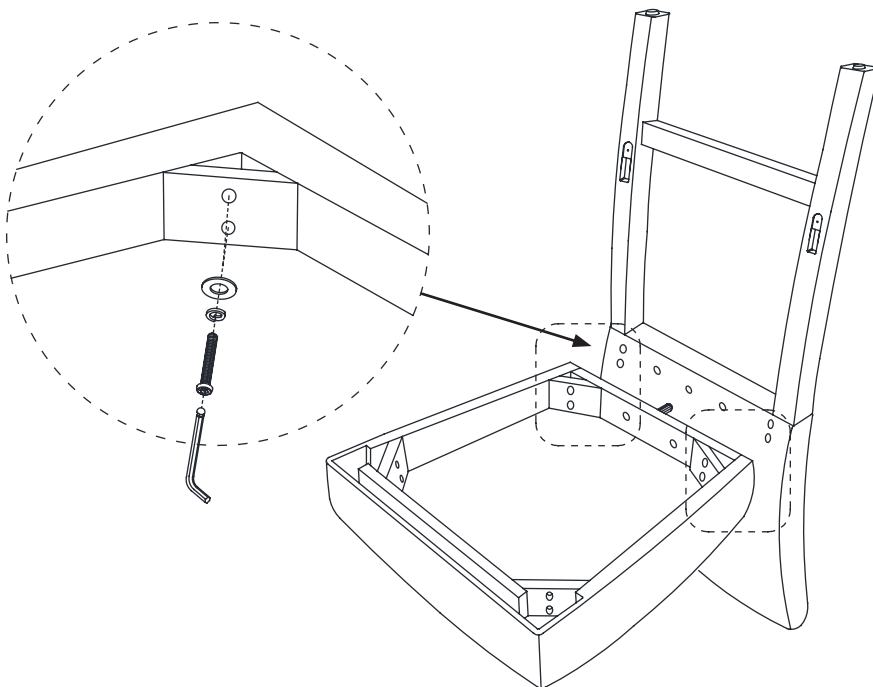


1.1

Fit (B) seat into (A) back, making sure the wooden dowel fits in the center hole.

Attach the center section using (H1) bolts, (H2) spring washers and (H3) flat washers. Tighten using (H5) wrench.

Please note: Before tightening, make sure the bottoms of (A, B) are flush.

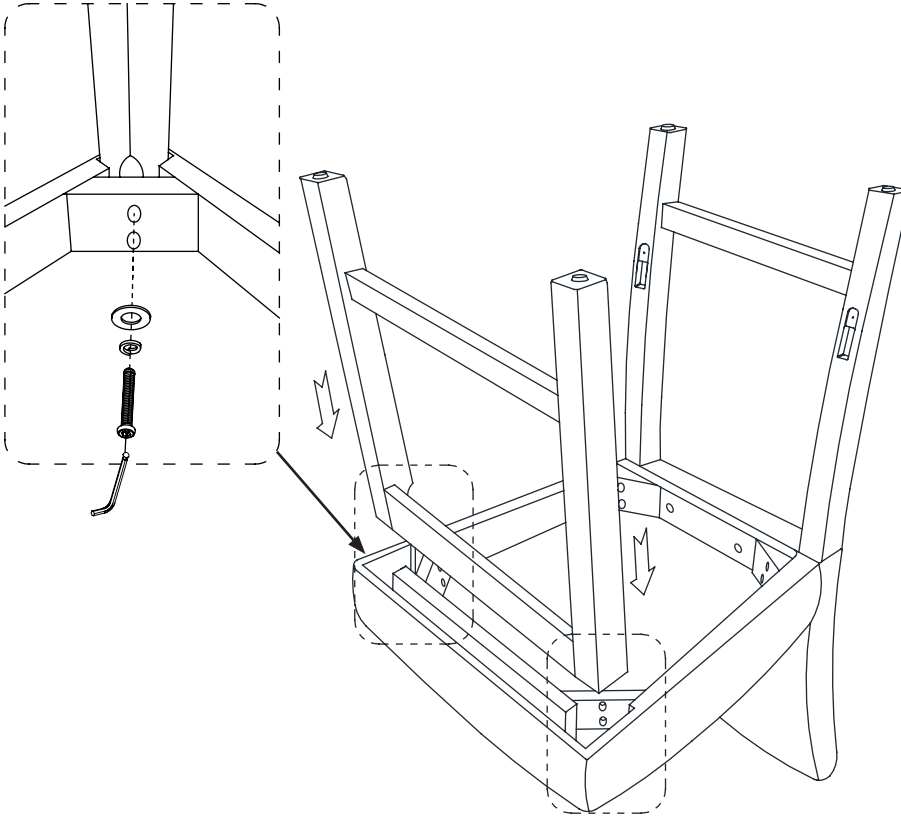


1.2

Finish attaching (B) seat to (A) back using (H4) bolts, (H2) spring washers and (H3) flat washers. Tighten using (H5) wrench.



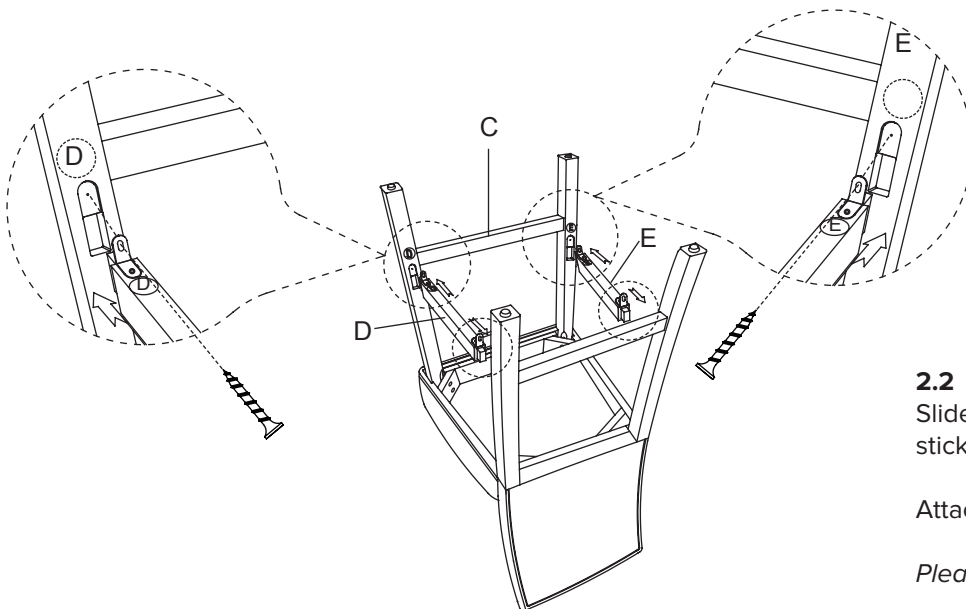
STEP 2



2.1

Insert (C) legs to (B) seat and attach using (H6) bolts, (H2) spring washers and (H3) flat washers.

Please note: leave bolts loose until Step 3.1



2.2

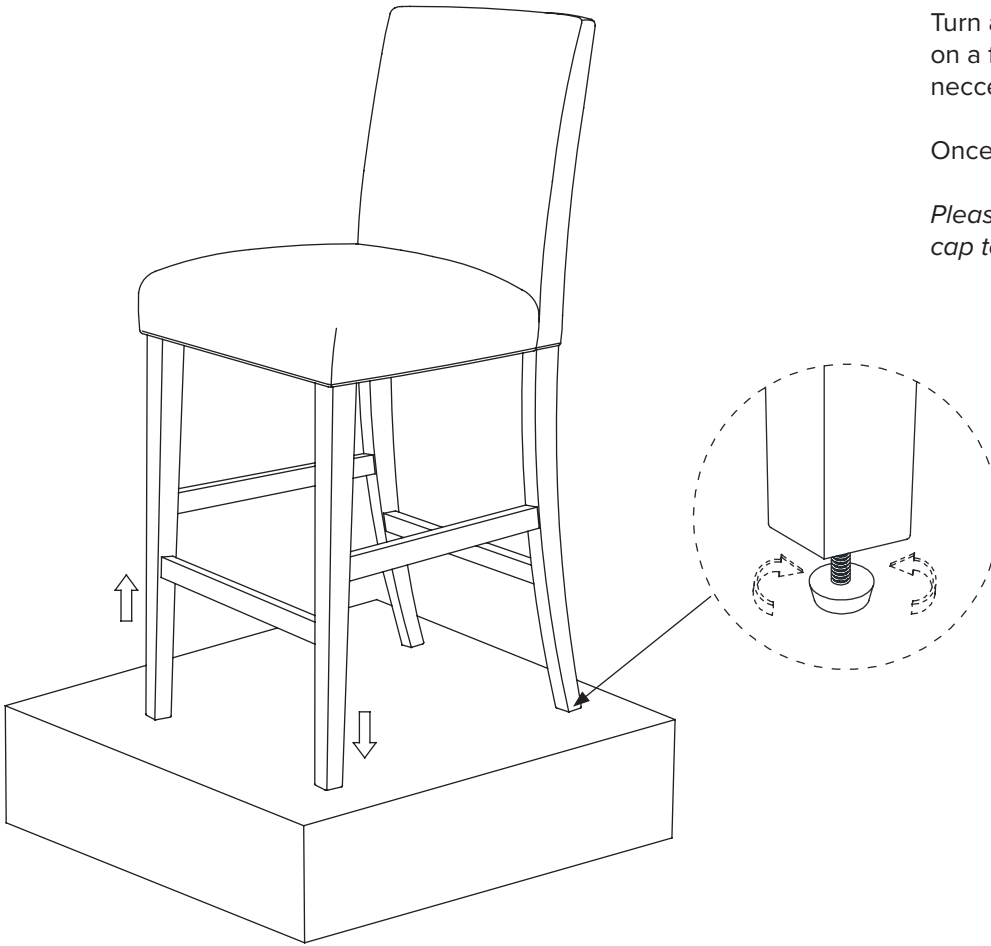
Slide (D, E) rails into (C) legs, making sure the stickers match.

Attach using (H7) screws.

Please note: leave screws loose until Step 3.1



STEP 3



3.1

Turn assembled chair upright and place on a flat surface. Push legs up or down as necessary to level.

Once level, tighten all bolts and screws.

Please note: each (C) leg has an adjustable cap to help level your chair.

LIMITED WARRANTY

Skyline Furniture Inc. guarantees its upholstered furniture against defects in construction for a period of one (1) year. When a structural defect is brought to our attention, we will repair or replace it at our option at no charge to the customer (includes parts and labor, not transportation costs). Fabric wearability for upholstered furniture is not covered by the warranty. Vacuum for regular cleaning.

PLEASE DISPOSE OF PLASTIC BAG(S) AND CARTON(S) RESPONSIBLY.

LIMITE DE GARANTIA

Skyline Furniture Inc. garantiza sus muebles tapizados contra defectos en construcción por un periodo de un (1) año. Cuando un problema de estructura es traído a nuestra atención, nosotros repararemos o remplazaremos sin ningun cargo a nuestro cliente (incluye partes y trabajo, no costo en transportacion). Descoloramiento del material de muebles tapizados no es cubierto por la garantía. Regularmente puede aspirar.

POR FAVOR TIRAR BOLSA(S) Y CAJA(S) RESPONSABLEMENTE.

GARANTIE LIMITÉE

Skyline Furniture Inc. garantit ses meubles rembourrés contre les défauts de construction pendant une période d'un (1) an. Lorsqu'un vice de construction nous est signalé, nous réparons ou remplaçons le meuble, selon notre choix, sans frais pour le client (incluant les pièces et la main-d'oeuvre, mais excluant les frais de transport). La durabilité du tissu des meubles rembourrés n'est pas couverte par la garantie. Nettoyer régulièrement avec un aspirateur.

VEUILLEZ JETER LE OU LES SAC(S) EN PLASTIQUE ET BOÎTE(S) DE FAÇON RESPONSABLE.