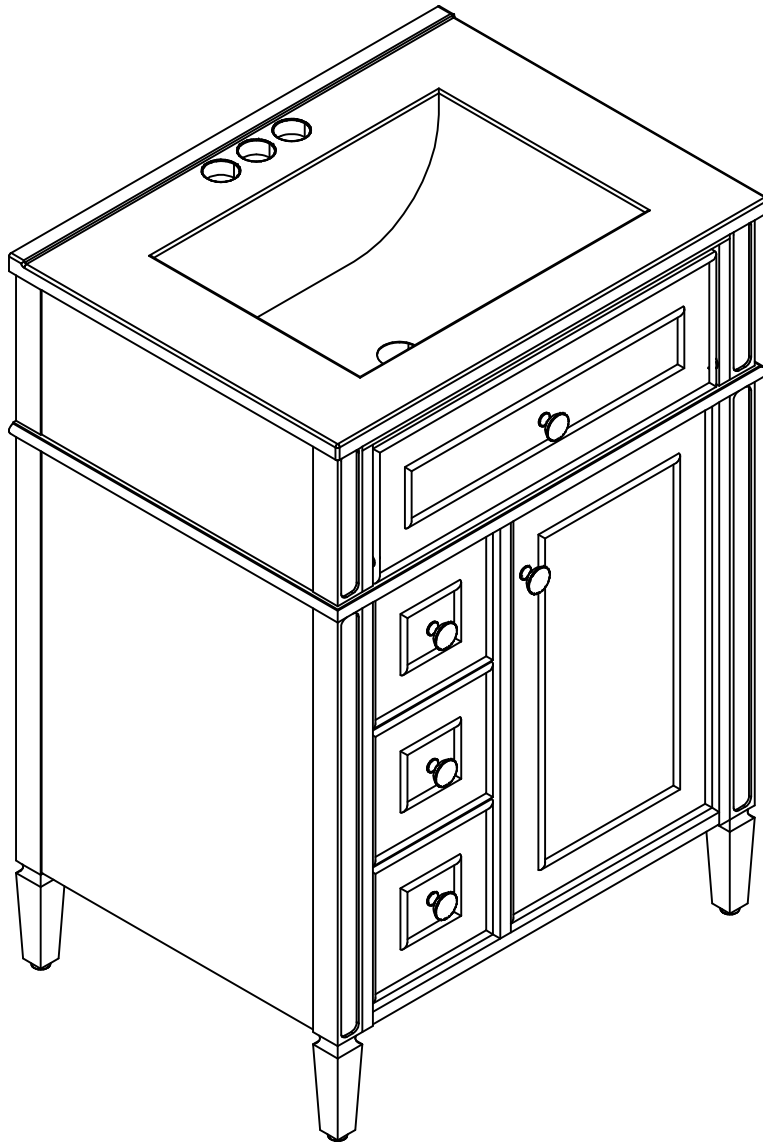


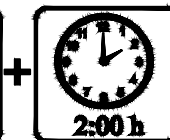
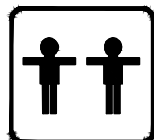
ASSEMBLY INSTRUCTIONS

30 INCHES BATH VANITY (COMBO)



Thank you for purchasing this quality product. Be sure to check all part material carefully for small parts which may have come loose inside carton during shipment. Separate, identify and count all parts and hardware. Compare with the parts list to be sure all parts are present, "DO NOT TIGHTEN SCREWS UNTIL COMPLETELY ASSEMBLED"

- * Use of power tool to assemble this product will invalidate any claim and damage this product making unsafe!!!
- * Please assemble on a clean soft surface to avoid damage.



Tools Required



(Not Included)

Before Installation

Important - Please read these instructions fully before starting assembly

Thank you for purchasing this quality product. Be sure to check all packing materials carefully for small parts, which may have come loose inside the carton during shipment. Identify and count all items according to the PARTS LIST and/or HARDWARE LIST shown below. Check you have all the components and tools listed on the following pages.

. We recommend that you assemble this product with the assistance of another person; this will make the assembly easier, and will help eliminate damage to the product or injury to persons during assembly.

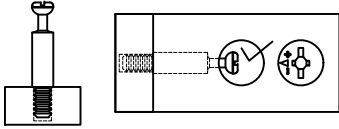
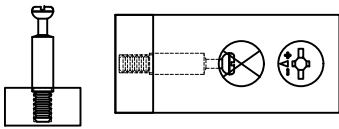
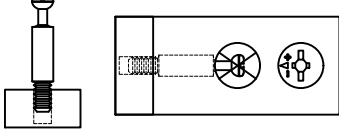
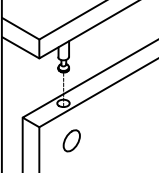
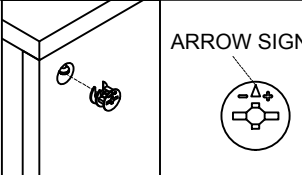
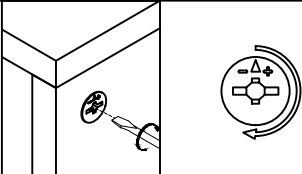
. Please do not over tighten screws or bolts until the assembly is completed.

. Keep children and animal away from the work area, small parts could choke if swallowed.

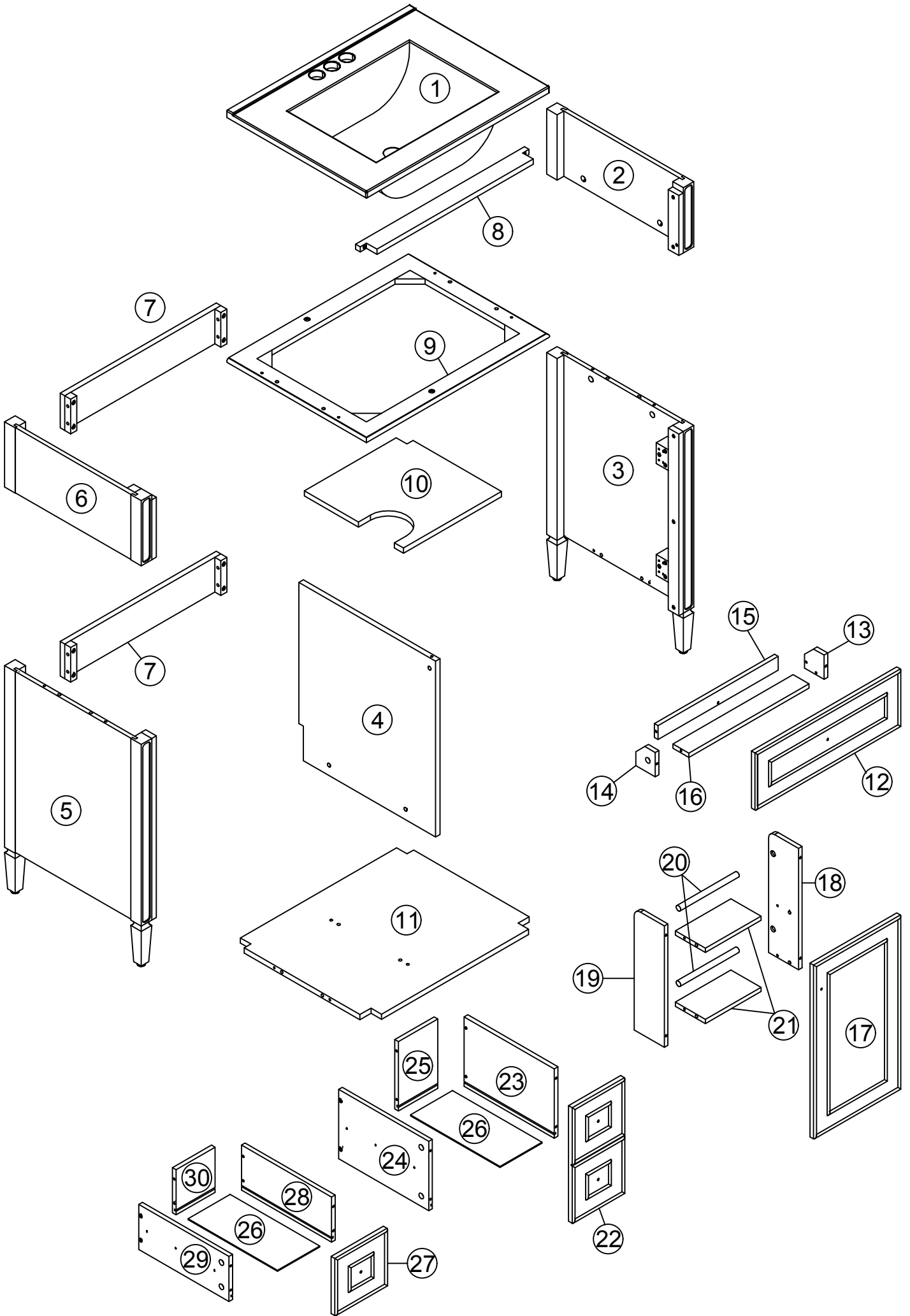
. Please put all parts on a non-abrasive floor before assembly, and follow the assembly steps to assemble your newly purchased product correctly and efficiently.

If you find that you have any trouble with assembly or missing or damaged parts please contact the seller.

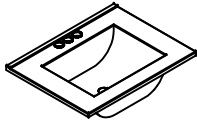
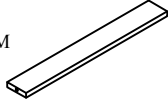
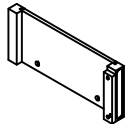

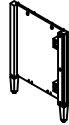



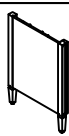

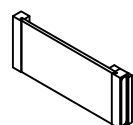
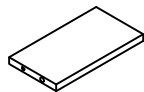
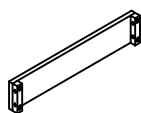


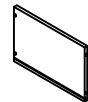
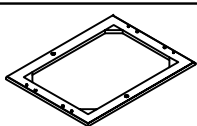
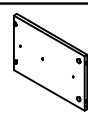
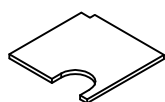

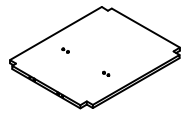
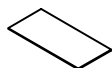
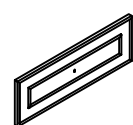

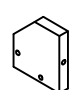
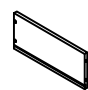

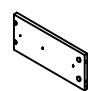
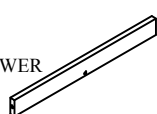

Cam Lock Assembly Instructions

	Insert Cam Bolt into hole as shown in diagram A.
	Make sure not to insert the Cam Bolt too deep as shown in figure B as this will cause the Cam Lock to be misaligned and unable to interlock properly.
	Also avoid inserting the Cam Bolt too close to the surface of the hole as shown in figure C, as this will cause the Cam Lock to be too loose, and not interlock properly.
	Connect the panels together.
	Insert the Cam Lock so the side opening fits over the head of the Cam Bolt.
	To tighten the Cam Lock, turn it clockwise on half a turn with a flat screwdriver. <i>*Do not use an automatic screwdriver as it may bend or break if too much power is imposed.</i>









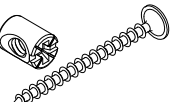





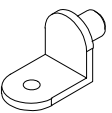
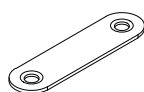

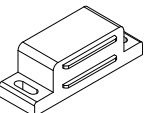
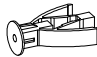
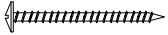
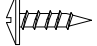



PRODUCT DETAILS



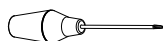
PARTS LIST

①	SINK (LAVABO)		1PC	⑩⑥	FLIP-UP TOP DRAWER BOTTOM		1PC
②	RIGHT HIP UP		1PC	⑩⑦	DOOR FACE		1PC
③	LOWER RIGHT HIP		1PC	⑩⑧	RIGHT DOOR SIDE		1PC
④	CENTER BOARD		1PC	⑩⑨	LEFT DOOR SIDE		1PC
⑤	LOWER LEFT HIP		1PC	⑩⑩	ROUND WOODEN DOOR		2PCS
⑥	LEFT HIP UP		1PC	⑩⑪	SHELVES DOORS		2PCS
⑦	BACK HORIZONTAL BAR		2PCS	⑩⑫	DRAWER FACE 1		1PC
⑧	FRONT HORIZONTAL BAR		1PC	⑩⑬	RIGHT DRAWER SIDE 1		1PC
⑨	MIDDLE FRAME		1PC	⑩⑭	LEFT DRAWER SIDE 1		1PC
⑩	ADJUSTABLE SHELVE		1PC	⑩⑮	BACK DRAWER SIDE 1		1PC
⑪	BOTTOM BOARD		1PC	⑩⑯	DRAWER BOTTOM		2PCS
⑫	TOP DRAWER FACE		1PC	⑩⑰	DRAWER FACE 2		1PC
⑬	RIGHT-TURN TOP DRAWER SIDE		1PC	⑩⑱	RIGHT DRAWER SIDE 2		1PC
⑭	LEFT-TURN TOP DRAWER SIDE		1PC	⑩⑲	LEFT DRAWER SIDE 2		1PC
⑮	BACK BOARD OF FLIP-UP DRAWER		1PC	⑩⑳	BACK DRAWER SIDE 2		1PC

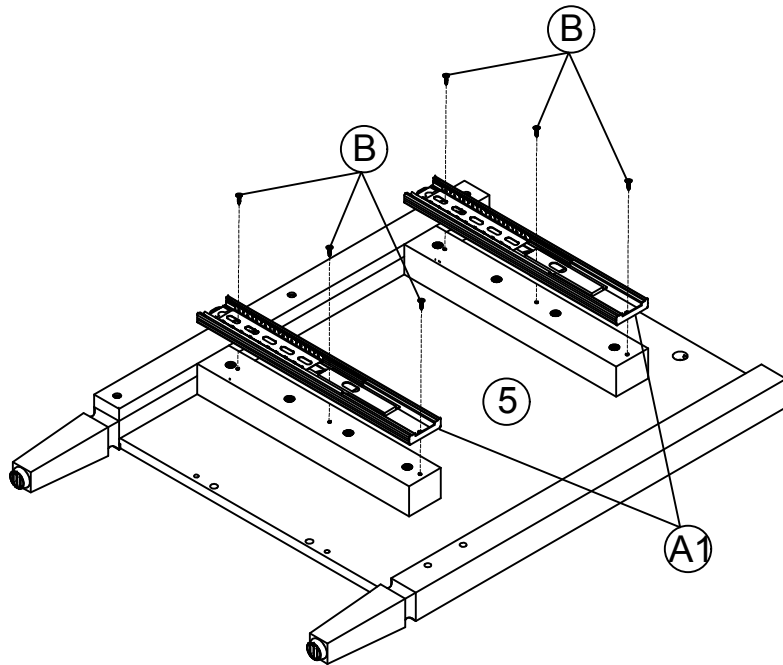
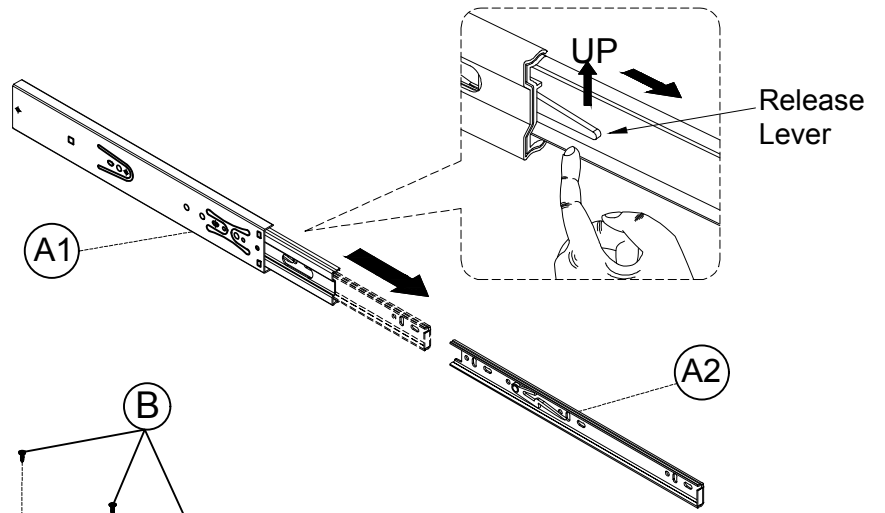
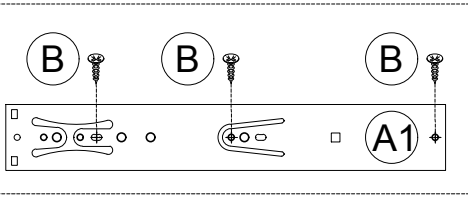
HARDWARE LIST



Ⓐ	A1 : D300MM 	4SETS	Ⓙ	3.5*12MM 	14PCS
	A2 : D300MM 				
Ⓑ	3.5*10MM 	24PCS	Ⓚ	M6*30MM 	10PCS
Ⓒ	Ø 8 * 30MM 	18PCS	Ⓛ	M4*18MM 	5SETS
Ⓓ	Ø5*35MM 	35PCS	Ⓜ	M4*50MM 	8SETS
Ⓔ	Ø 15*10MM 	35PCS	Ⓝ	HANDLE 	1PC
Ⓕ	M6*50MM 	4SETS	Ⓞ	L4*58MM 	1PC
Ⓖ	HINGES 	2PCS	Ⓟ	L 15MM 	6PCS
Ⓗ	L 45MM 	2PCS	Ⓠ	3.5*12MM 	16PCS
Ⓘ	L45MM 	2PCS	Ⓡ	     	2SET

ASSEMBLY TOOLS REQUIRED (NOT INCLUDED)

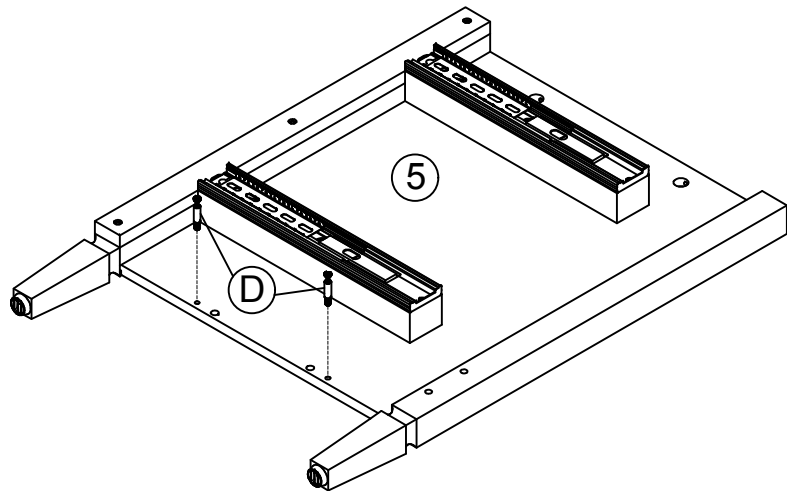
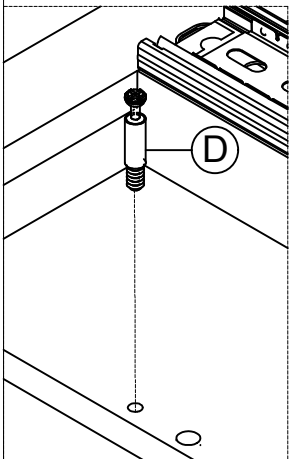


STEP 1



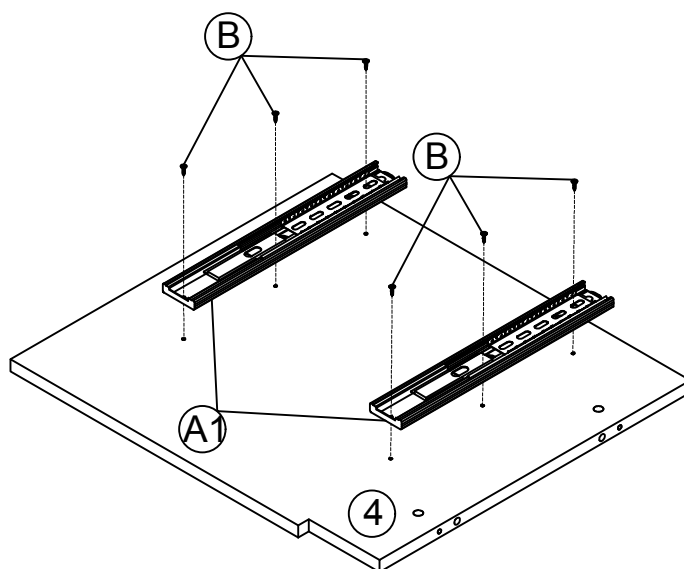
<p>(A)</p>	<p>A1 : D300MM</p> 	<p>2PCS</p>	<p>(B)</p>	<p>3.5*10MM</p> 	<p>6PCS</p>
------------	--	-------------	------------	---	-------------



STEP 2



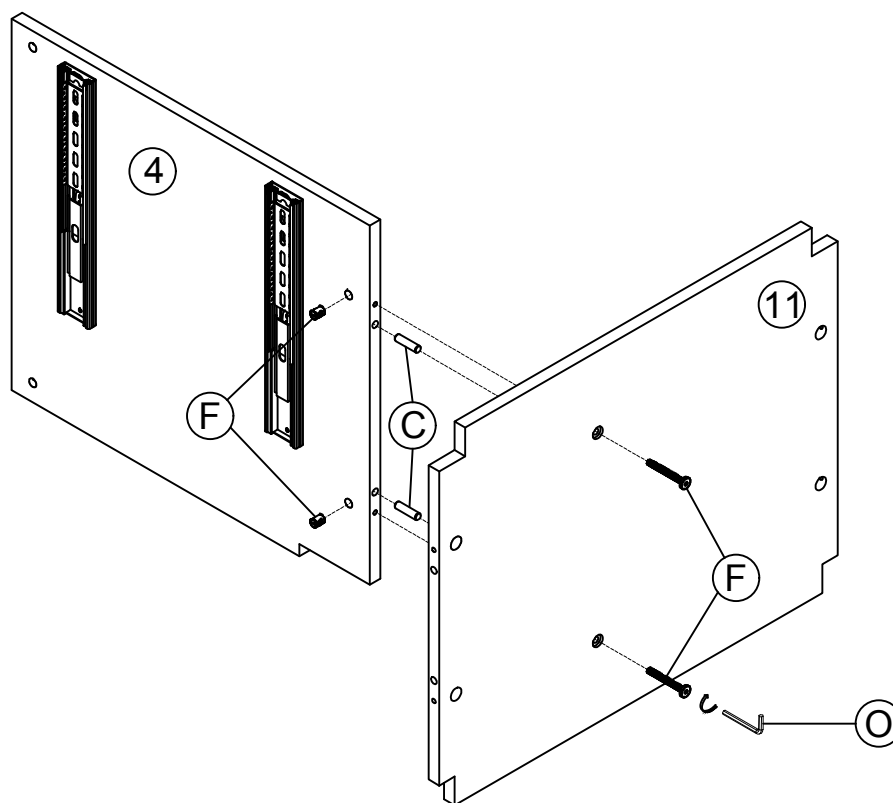
<p>(D)</p>	<p>Ø5*35MM</p> 	<p>2PCS</p>
------------	--	-------------




STEP 3



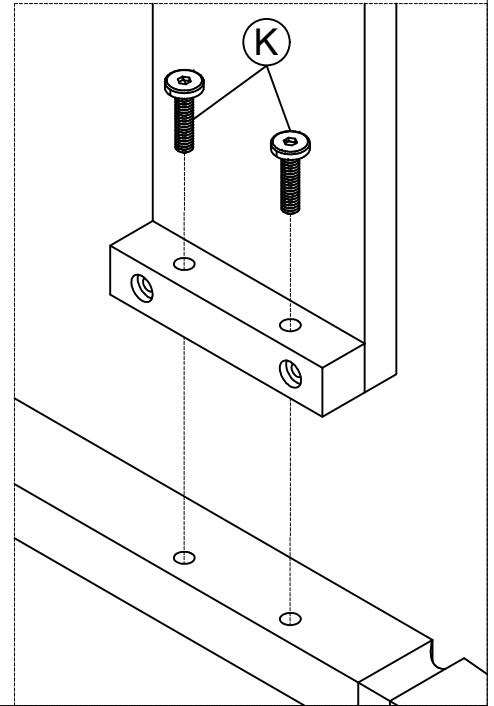
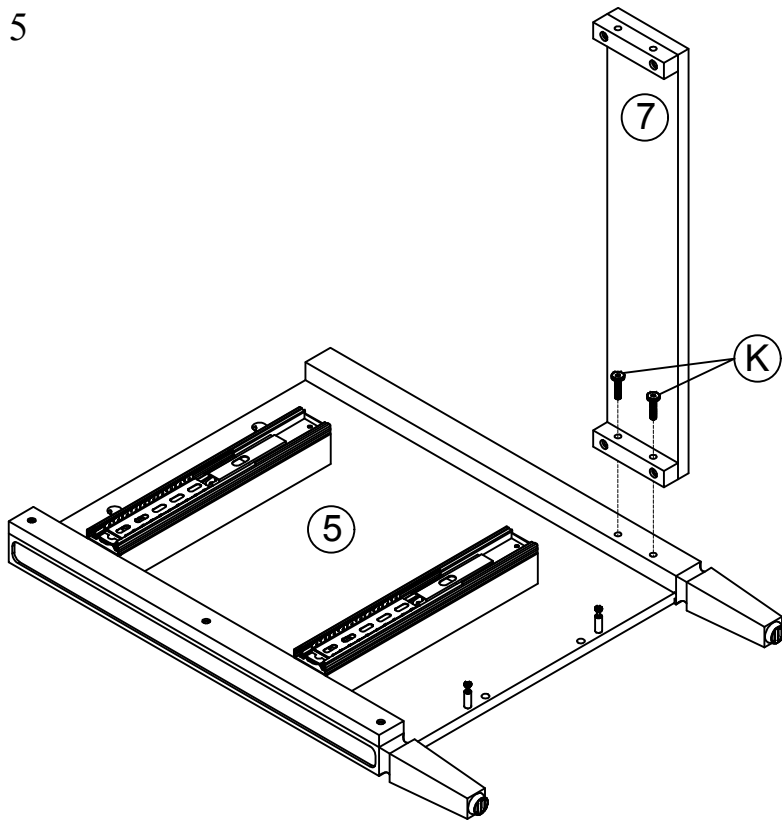
<p>(A)</p>	<p>A1 : D300MM</p> 	<p>2PCS</p>	<p>(B)</p> <p>3.5*10MM</p> 	<p>6PCS</p>
------------	--	-------------	--	-------------

STEP 4



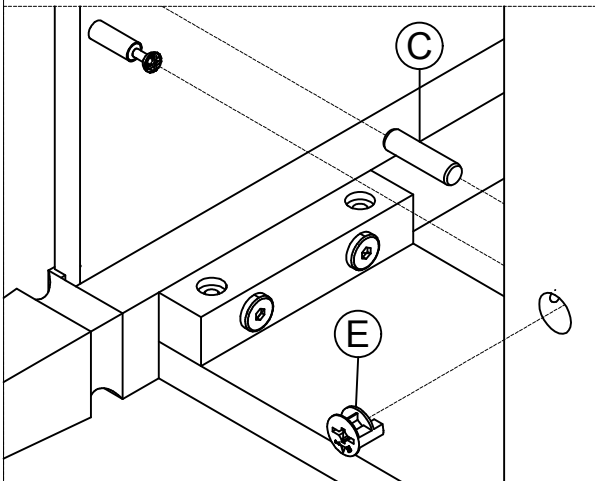
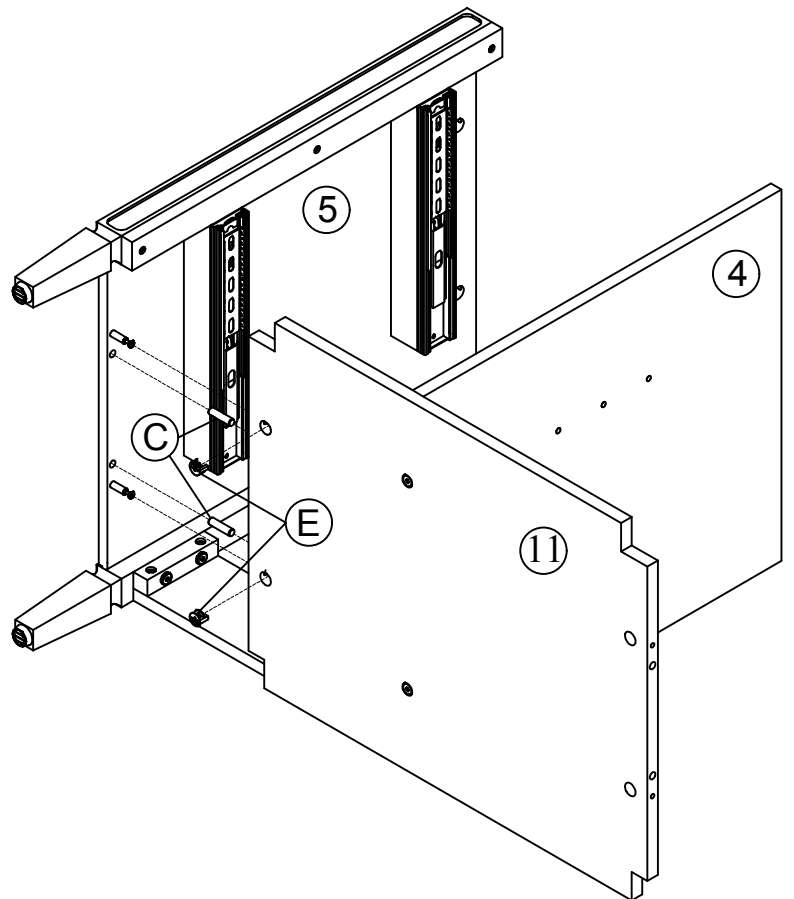
<p>(C)</p>	<p>Ø 8 * 30MM</p> 	<p>2PCS</p>	<p>(F)</p> <p>M6*50MM</p> 	<p>(O)</p> <p>L4*58MM</p> 	<p>1PC</p>
------------	---	-------------	---	---	------------

STEP 5



	M6*30MM		2PCS
---	---------	--	------

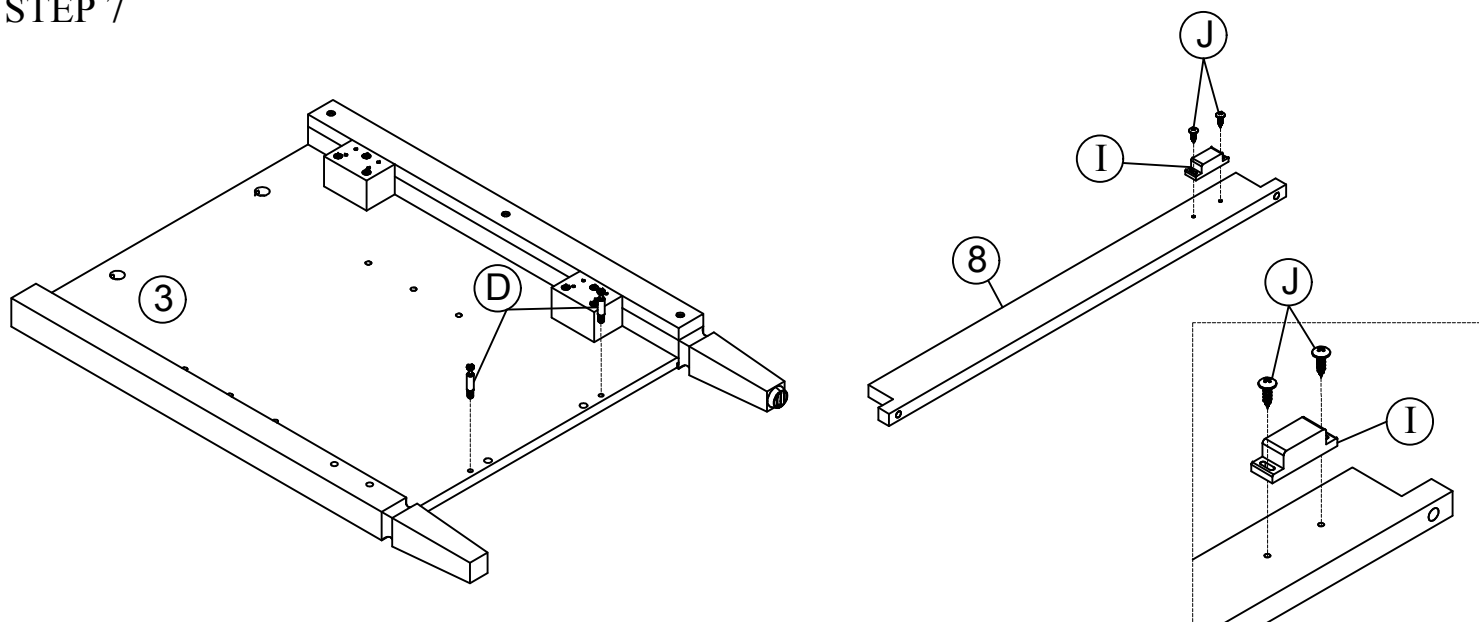
STEP 6

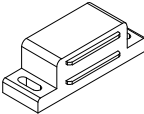




	Ø 8 * 30MM		2PCS
--	------------	---	------

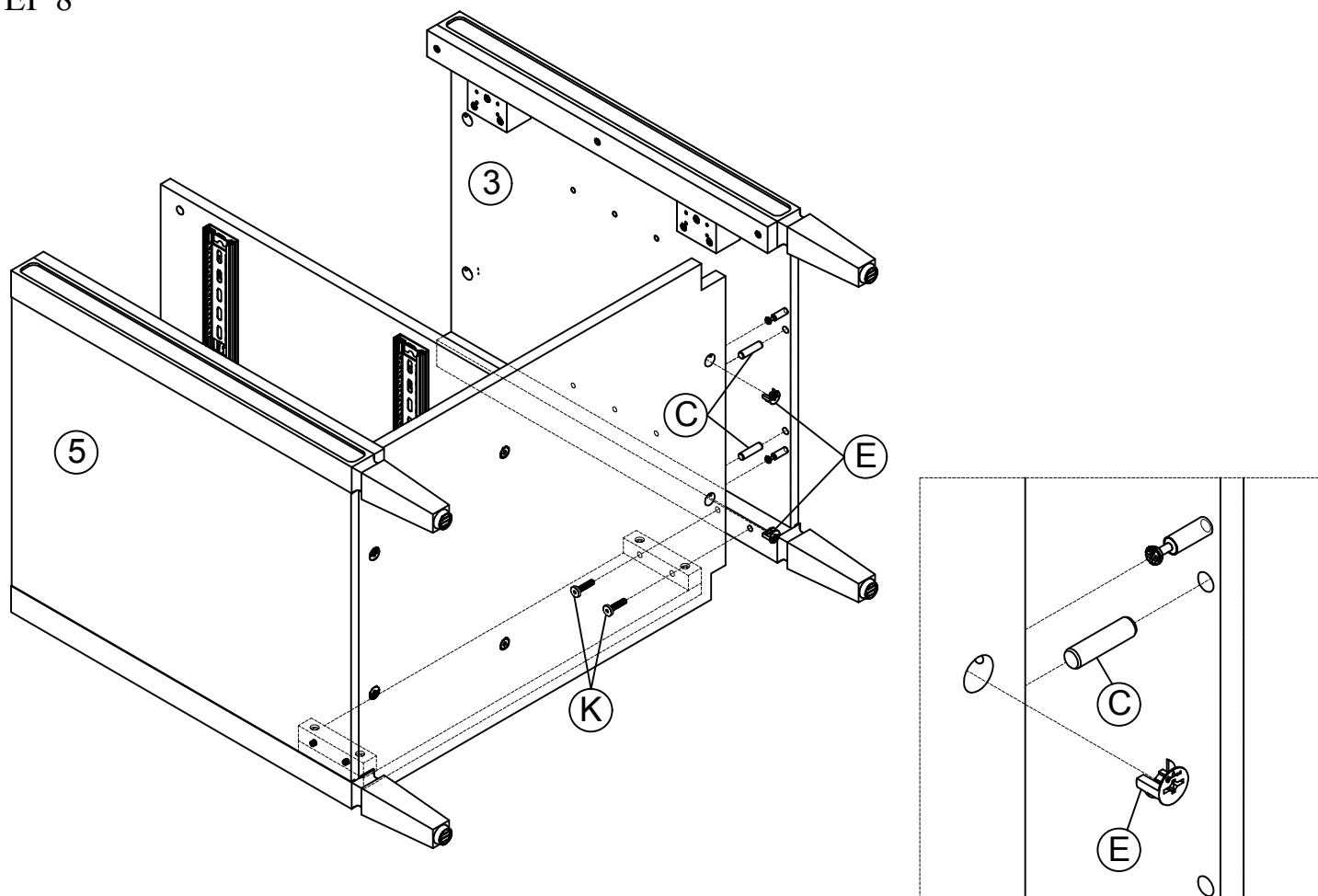
	Ø 15*10MM		2PCS
---	-----------	---	------




STEP 7



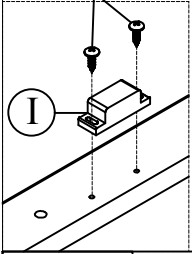
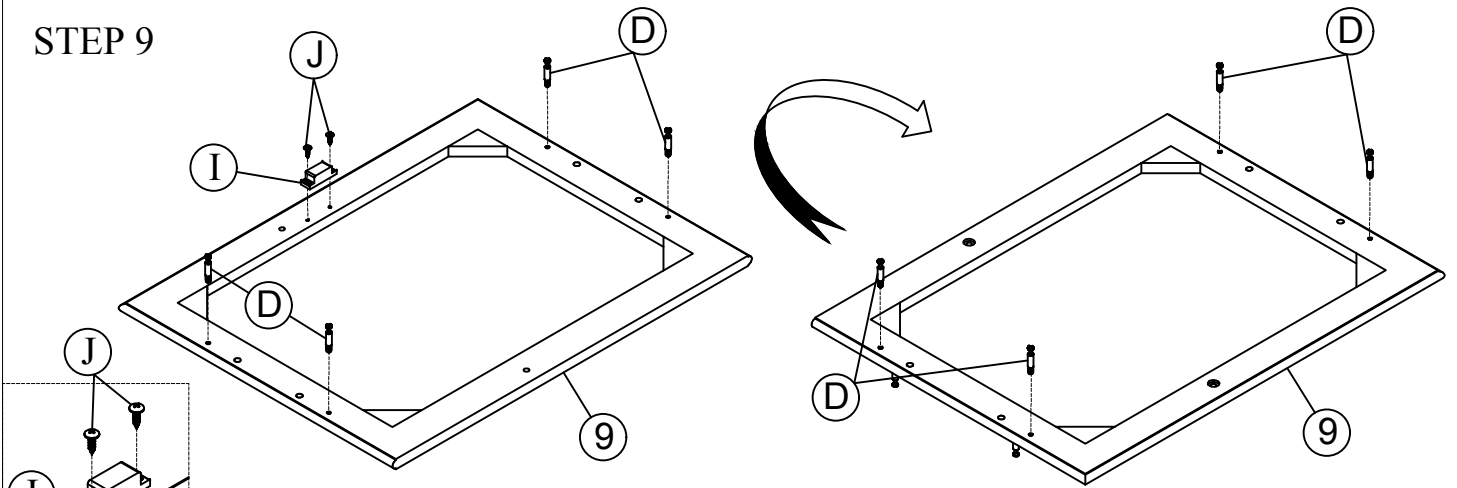
			(I) L45MM 	1PC
(D) Ø5*35MM 	2PCS		(J) 3.5*12MM 	2PCS

STEP 8

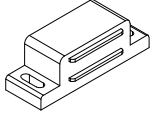



(C) Ø 8 * 30MM 	2PCS		(K) M6*30MM 	2PCS
			(E) Ø 15*10MM 	2PCS

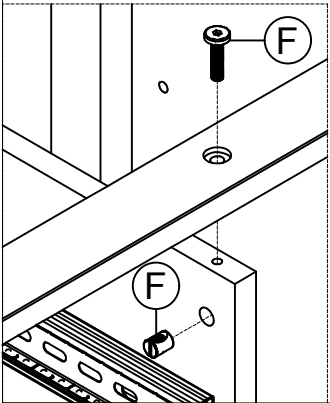
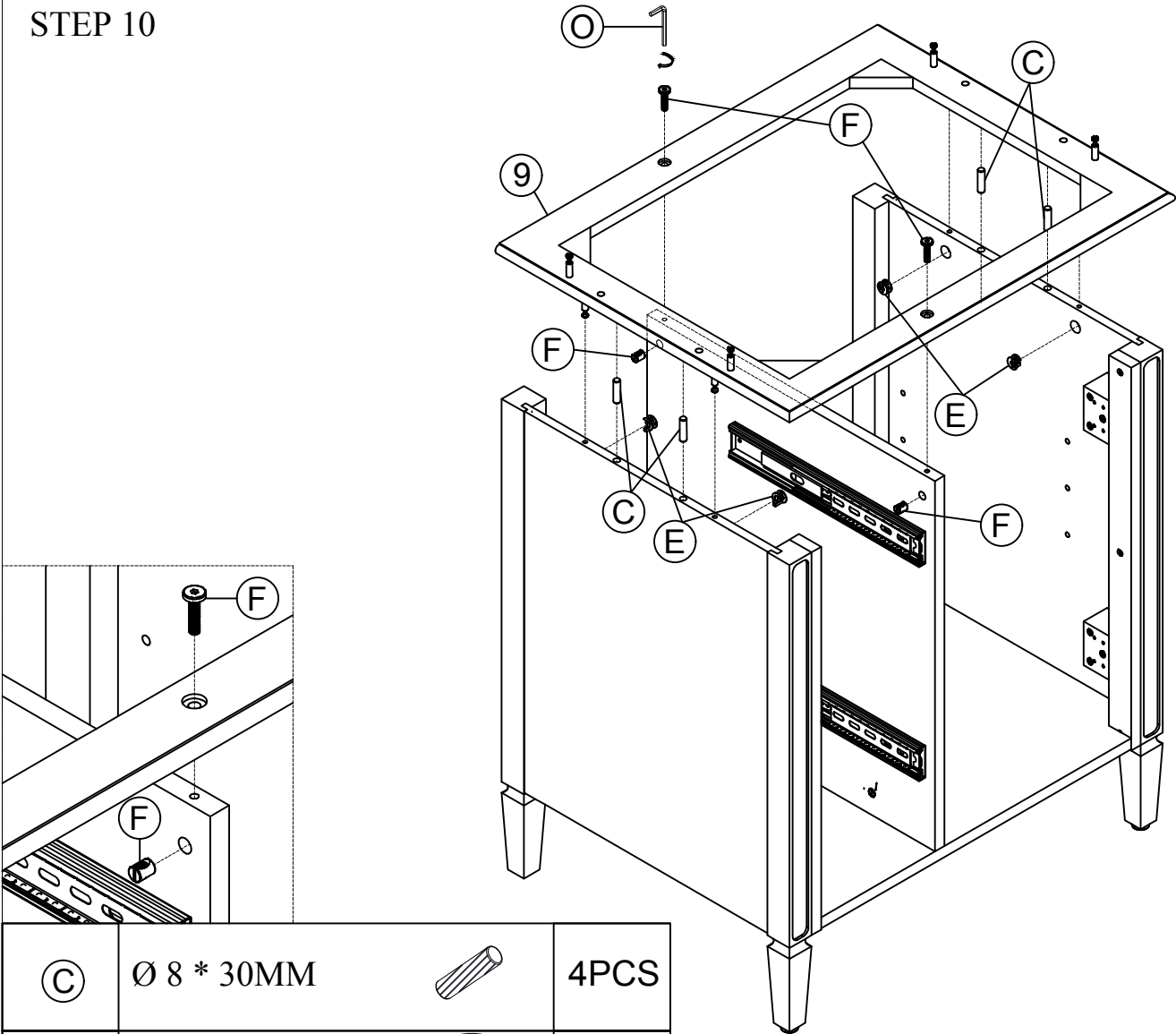
STEP 9







(D)	Ø5*35MM		8PCS
-----	---------	---	------

(I)	L45MM		1PC
(J)	3.5*12MM		2PCS

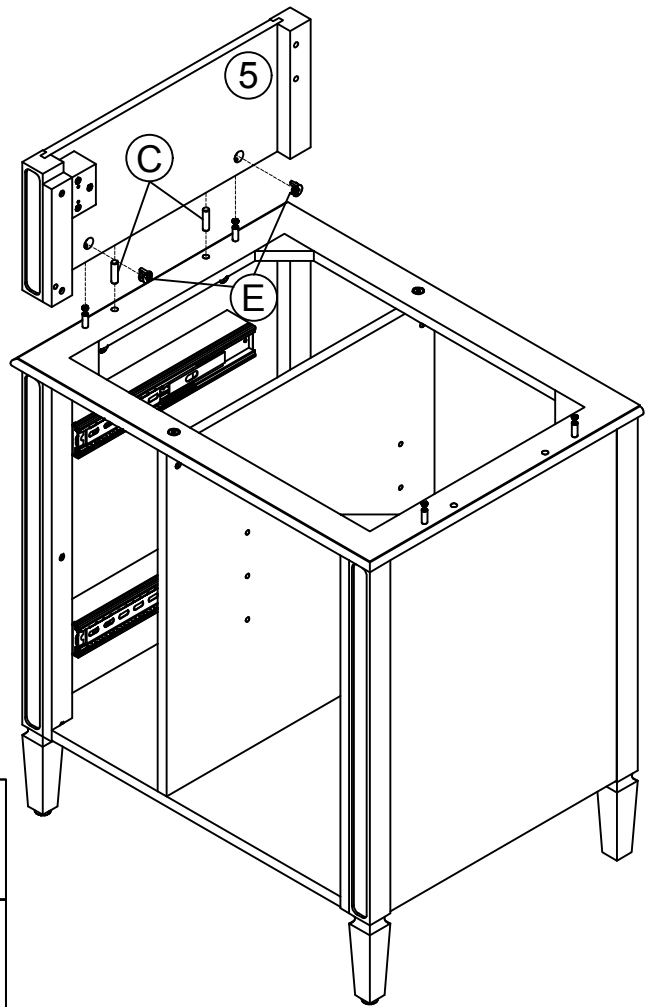
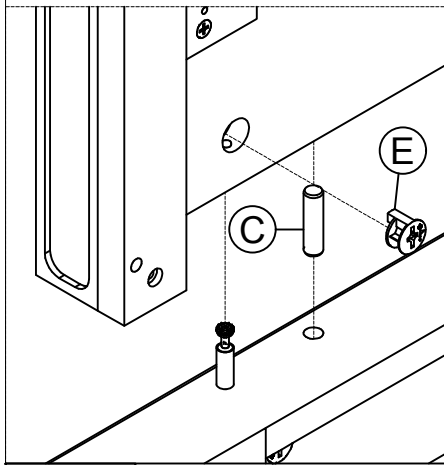
STEP 10





(C)	Ø 8 * 30MM		4PCS
(E)	Ø 15*10MM		4PCS
(F)	M6*50MM		2SET

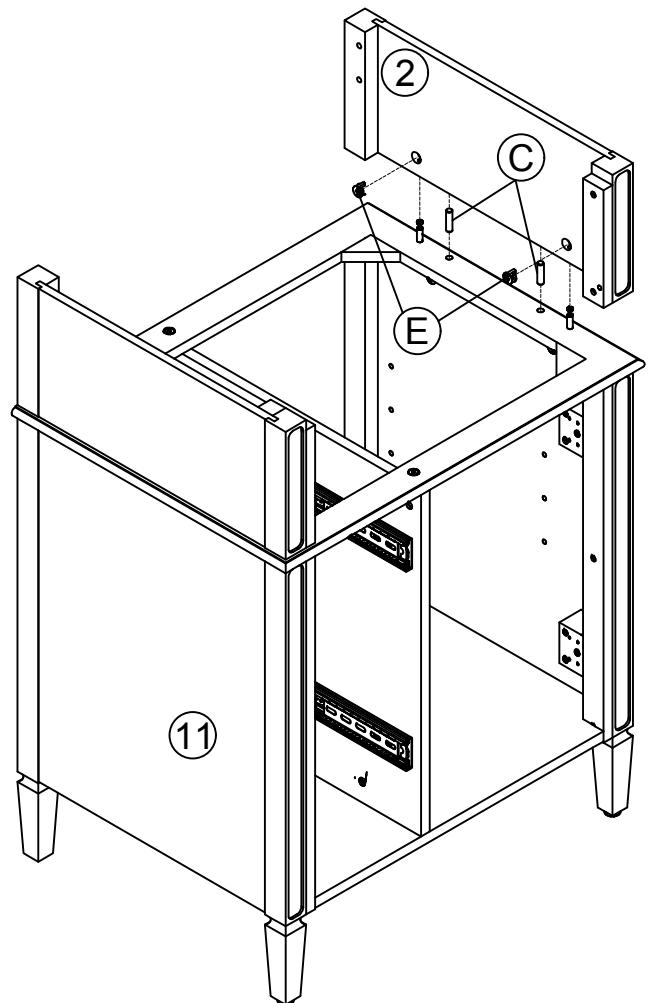
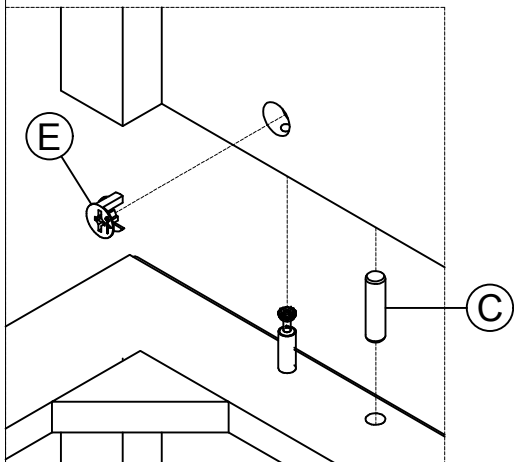
(O)	L4*58MM		1PC
-----	---------	---	-----



STEP 11



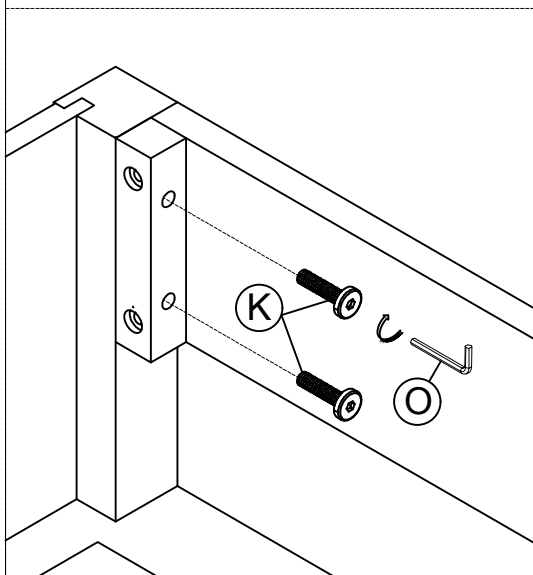
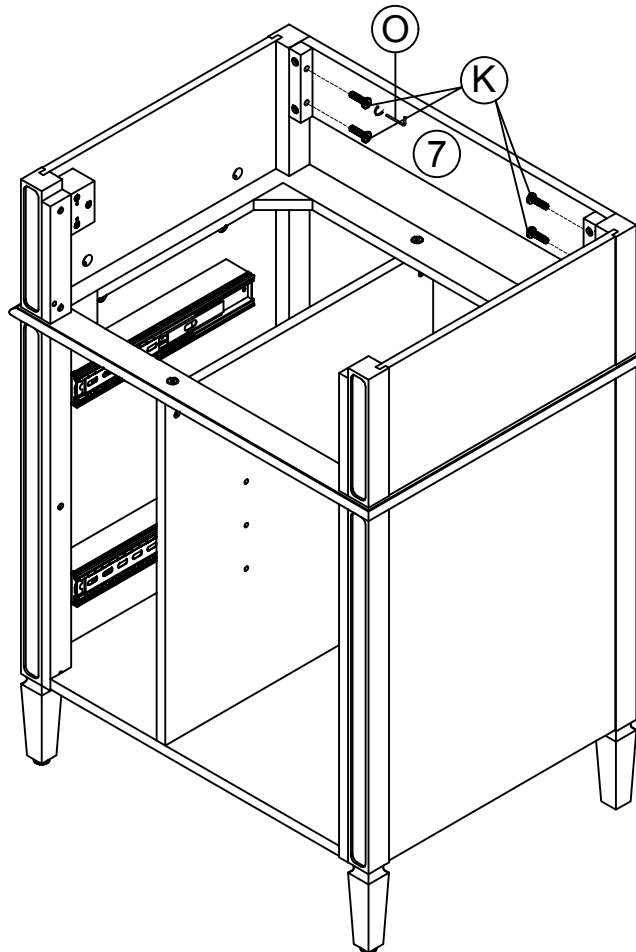
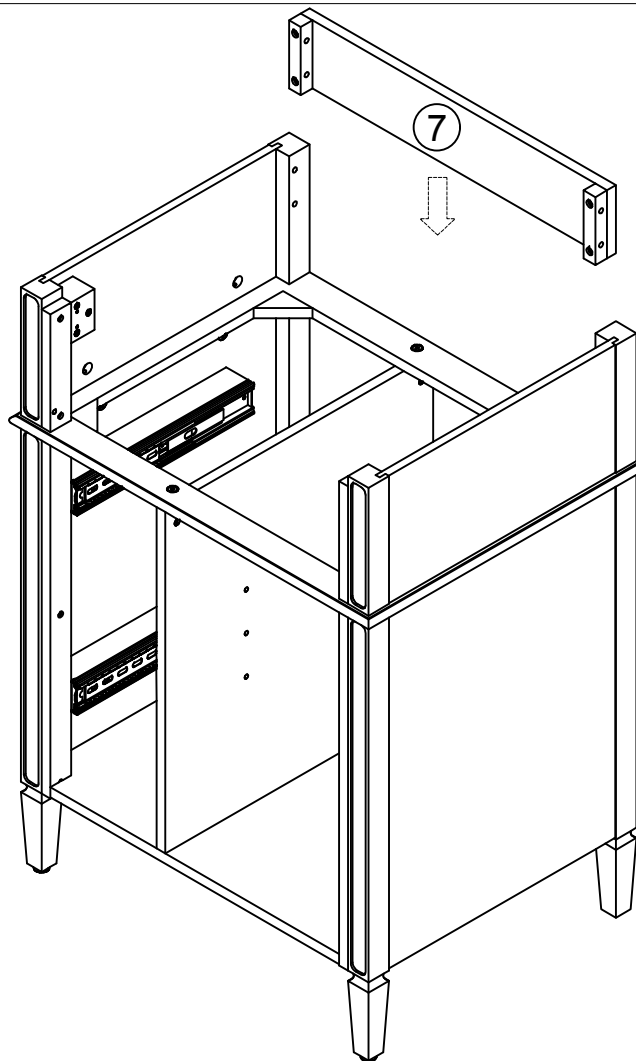
<p>Ⓒ</p>	<p>Ø 8 * 30MM</p>		<p>2PCS</p>
<p>Ⓔ</p>	<p>Ø 15*10MM</p>		<p>2PCS</p>

STEP 12



<p>Ⓒ</p>	<p>Ø 8 * 30MM</p>		<p>2PCS</p>
<p>Ⓔ</p>	<p>Ø 15*10MM</p>		<p>2PCS</p>

STEP 13



(K)

M6*30MM



4PCS

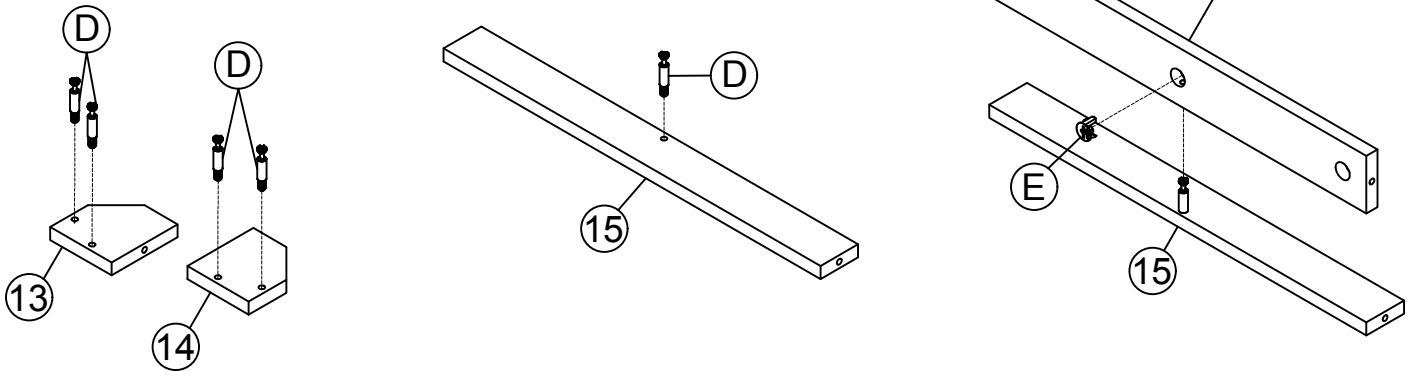
(O)

L4*58MM



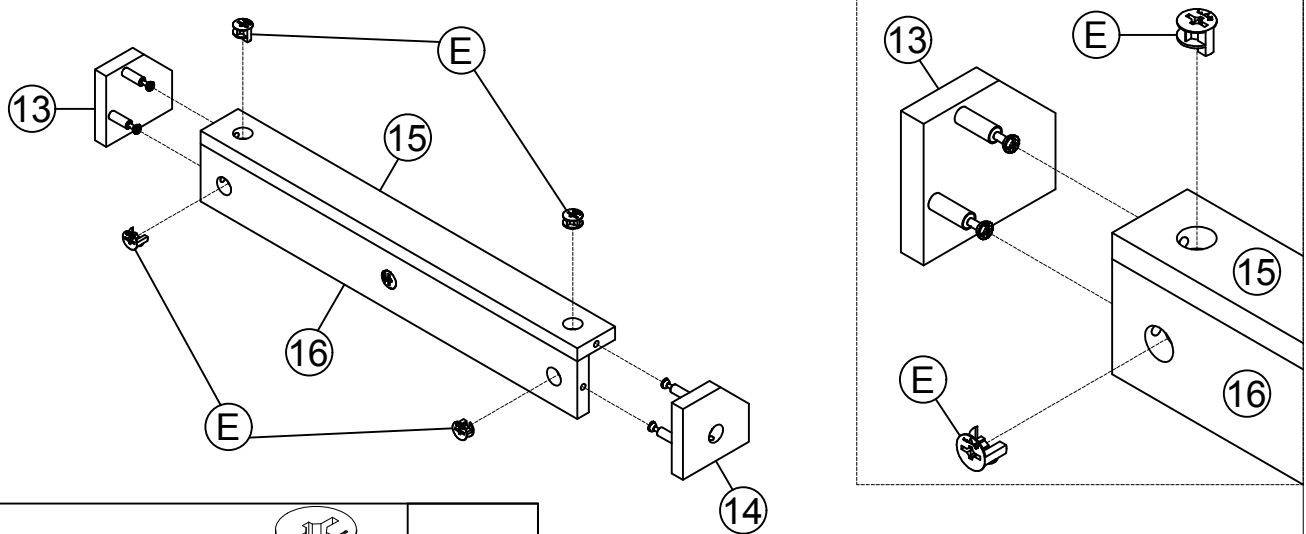
1PC

STEP 14



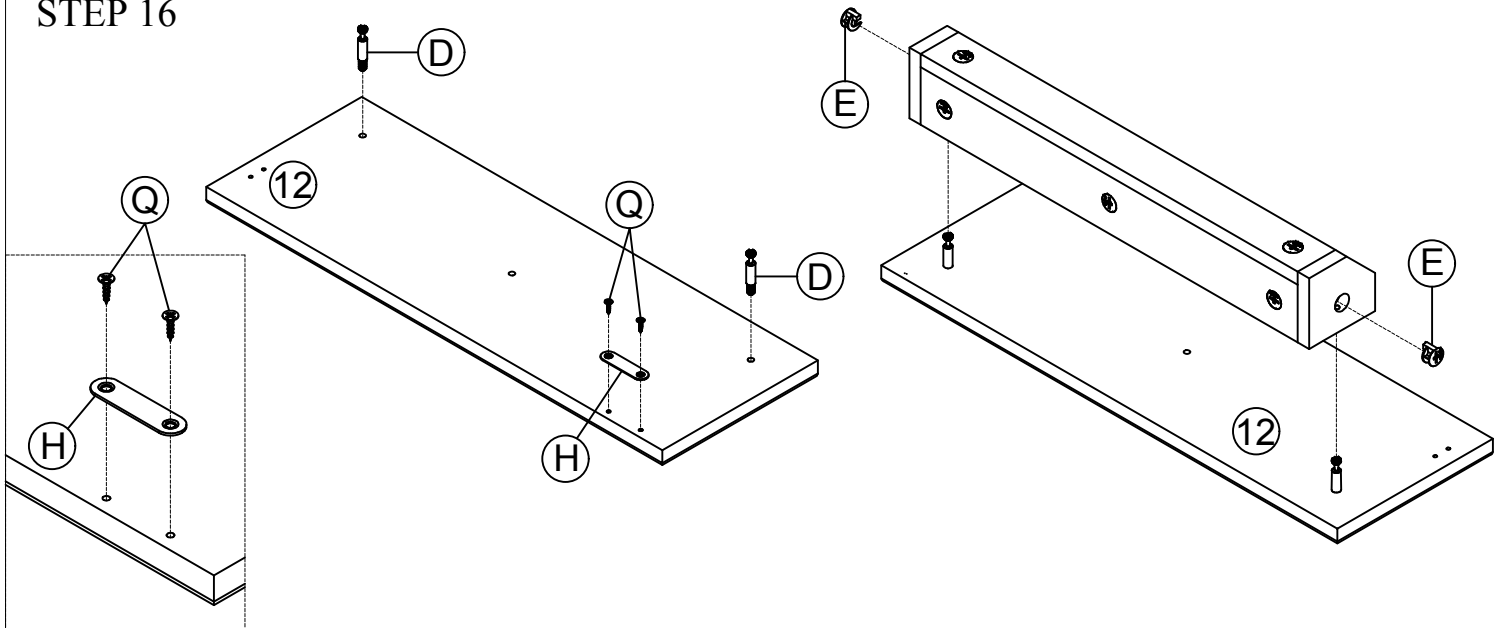
<p>ⓓ</p>	<p>Ø5*35MM</p>	 <p>5PCS</p>	<p>ⓔ</p>	<p>Ø 15*10MM</p>	 <p>1PC</p>
----------	----------------	---	----------	------------------	--




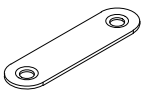
STEP 15



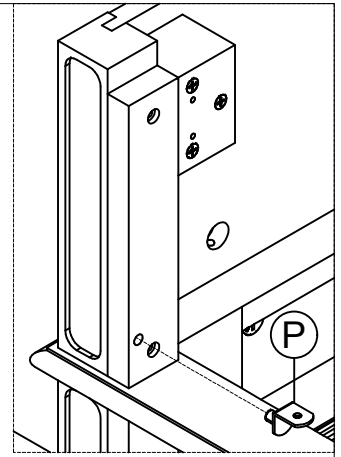
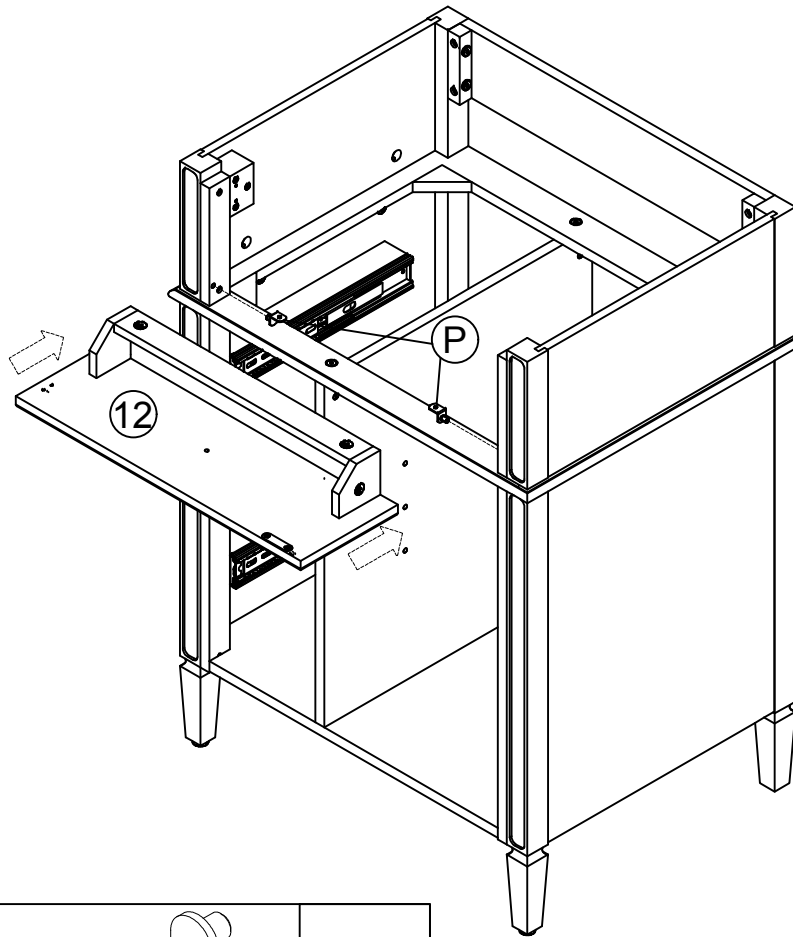
<p>ⓔ</p>	<p>Ø 15*10MM</p>	 <p>4PCS</p>
----------	------------------	---

STEP 16



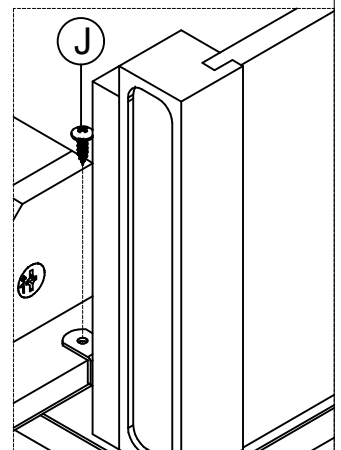
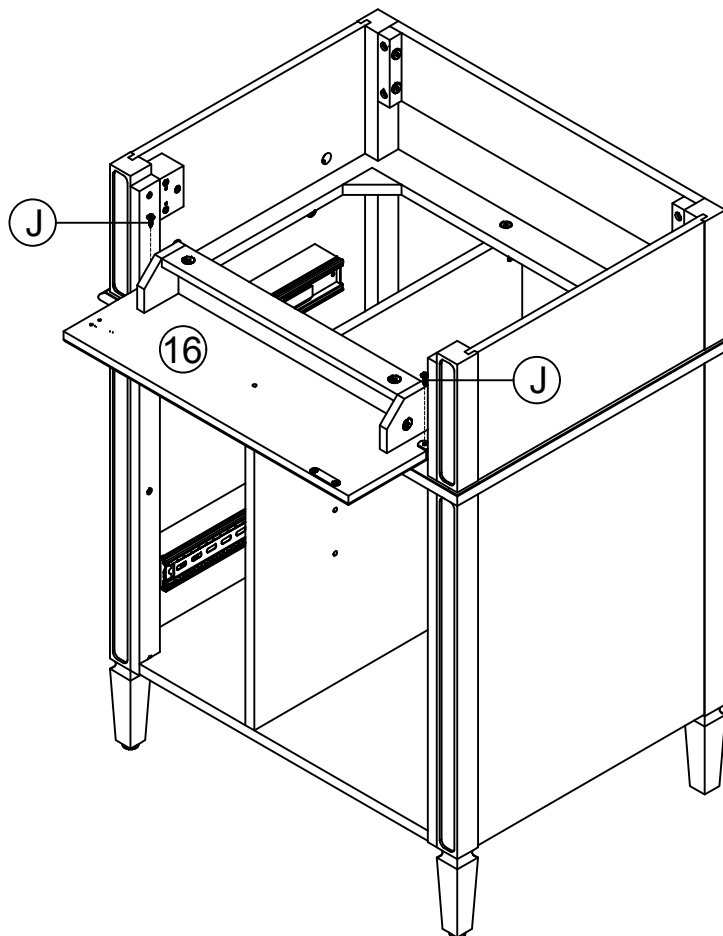
<p>Ⓚ</p>	<p>3.5*12MM</p>	 <p>2PCS</p>	<p>ⓔ</p>	<p>Ø 15*10MM</p>	 <p>2PCS</p>
<p>ⓓ</p>	<p>Ø5*35MM</p>	 <p>2PCS</p>	<p>ⓓ</p>	<p>L 45MM</p>	 <p>1PC</p>

STEP 17



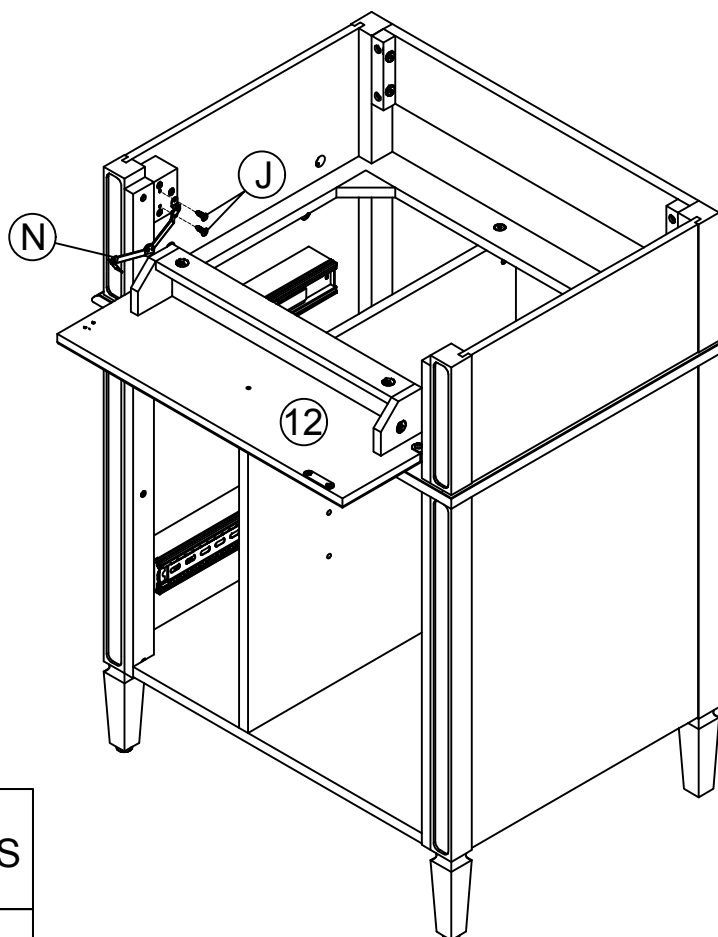
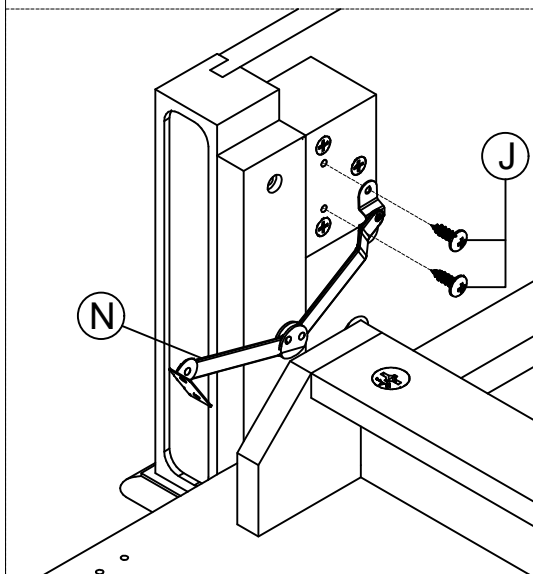
Ⓟ	L 15MM		2PCS
---	--------	--	------

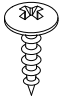

STEP 18



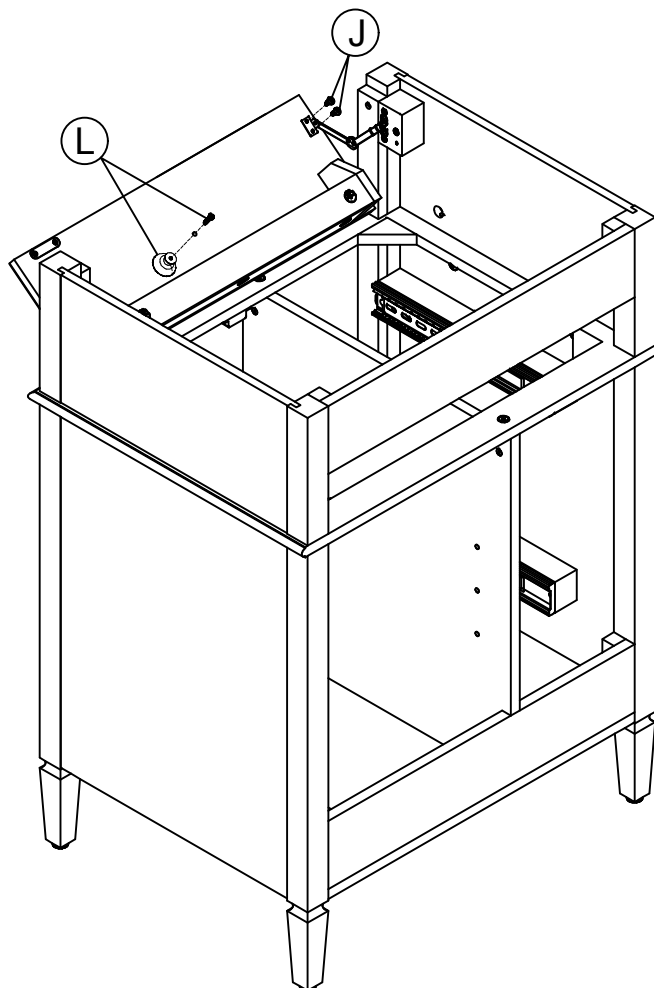
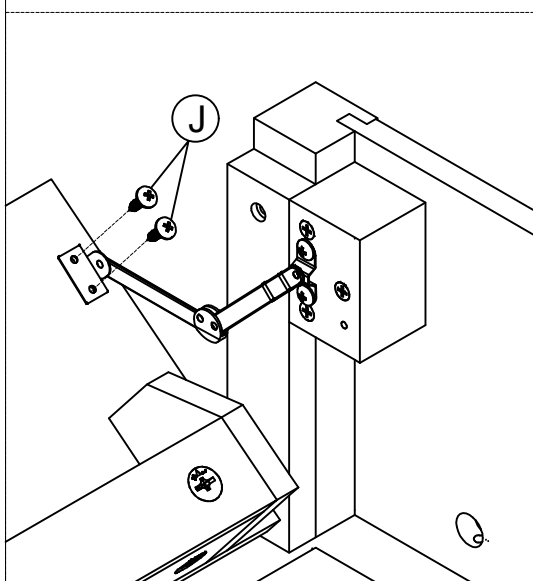
Ⓝ	3.5*12MM		2PCS
---	----------	---	------

STEP 19



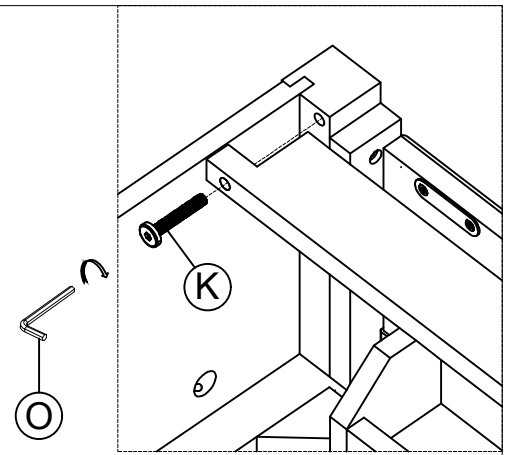
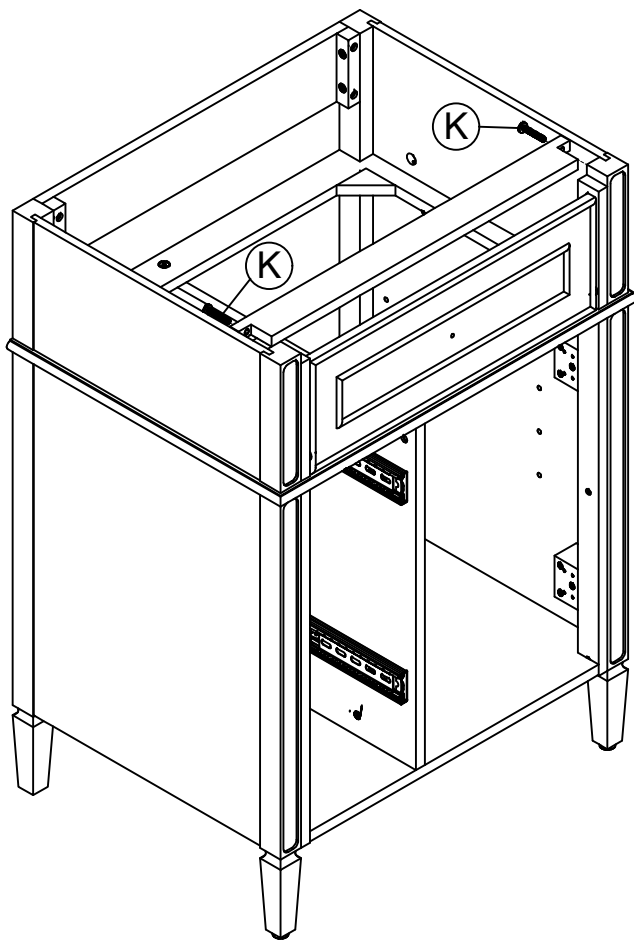
ⓐ	3.5*12MM	 2PCS
ⓑ	HANDLE	 1PC

STEP 20



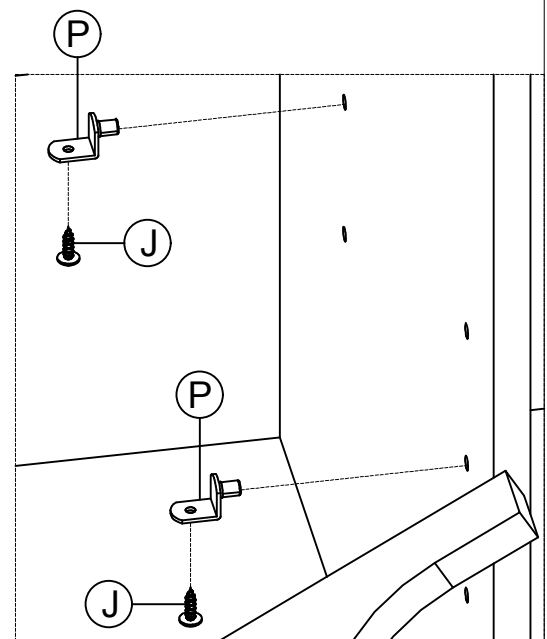
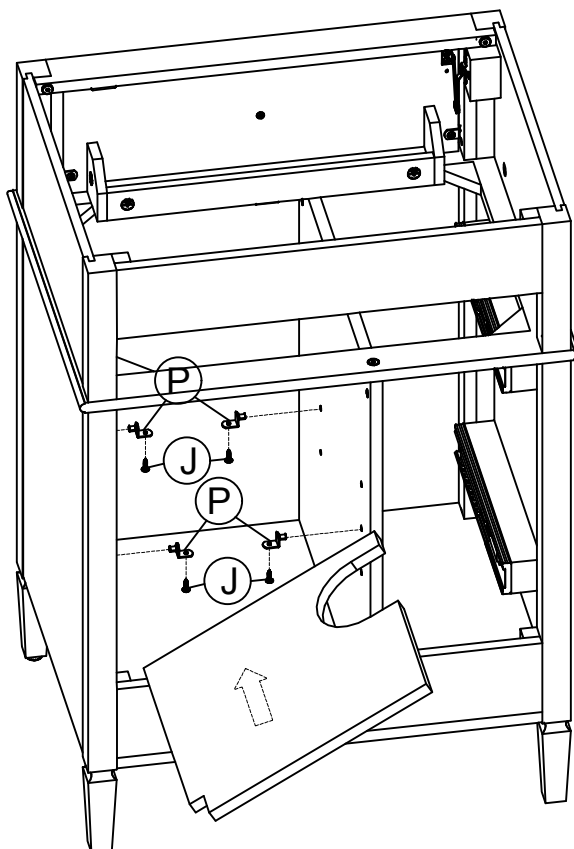
ⓐ	3.5*12MM	 2PCS
ⓑ	M4*18MM	 1SET

STEP 21



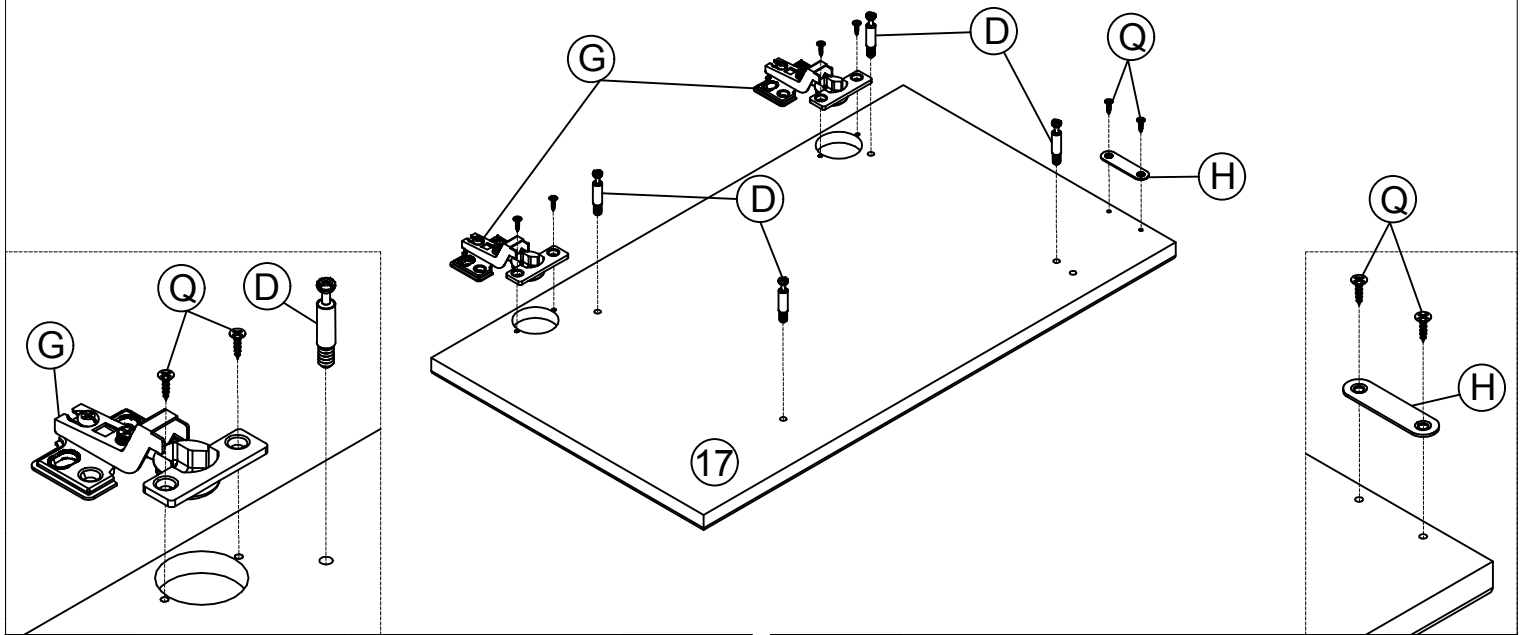
<p>(K)</p>	<p>M6*30MM</p>	<p>2PCS</p>	<p>(O)</p>	<p>L4*58MM</p>	<p>1PC</p>
------------	----------------	-------------	------------	----------------	------------




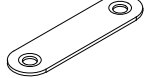
STEP 22



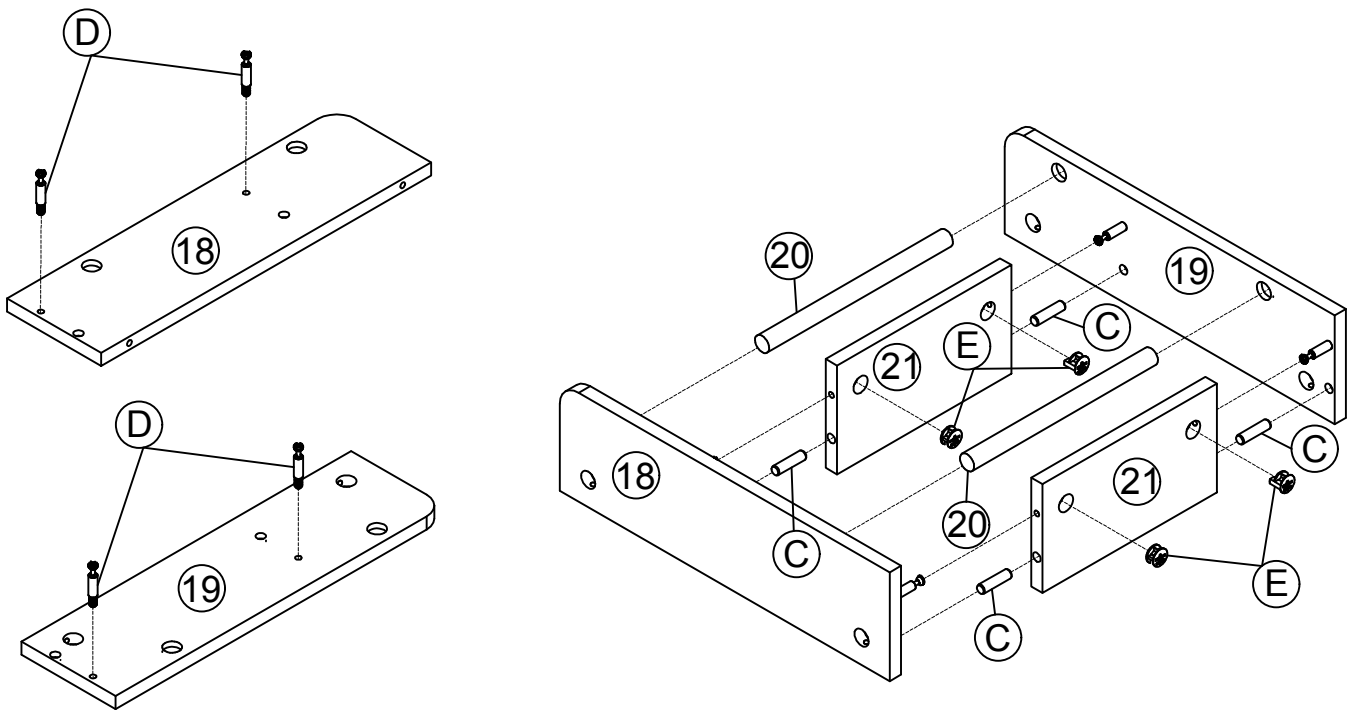
<p>(J)</p>	<p>3.5*12MM</p>	<p>4PCS</p>	<p>(P)</p>	<p>L 15MM</p>	<p>4PCS</p>
------------	-----------------	-------------	------------	---------------	-------------


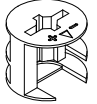

STEP 23



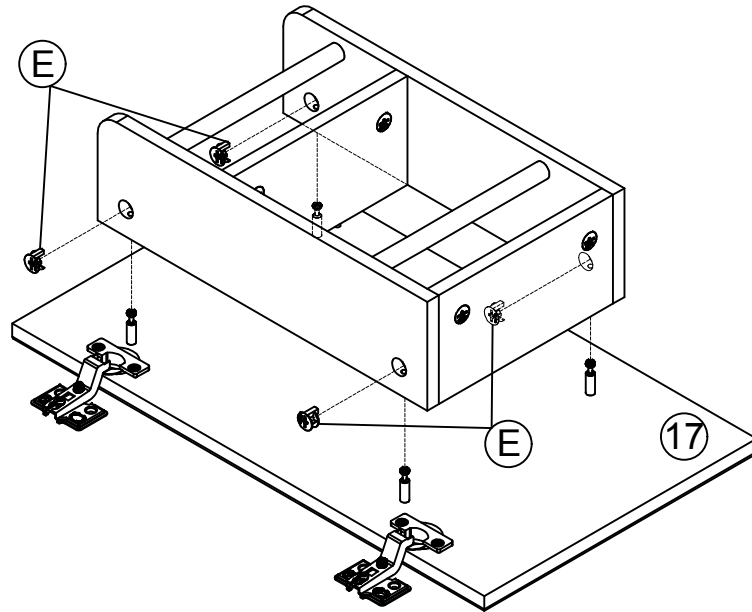
Q	3.5*12MM		6PCS	G	HINGES		2PCS
D	Ø5*35MM		4PCS	H	L 45MM		1PC

STEP 24



C	Ø 8 * 30MM		4PCS	E	Ø 15*10MM		4PCS
D	Ø5*35MM		4PCS				

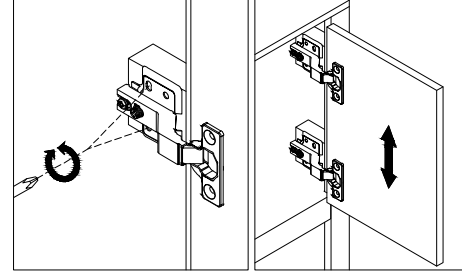
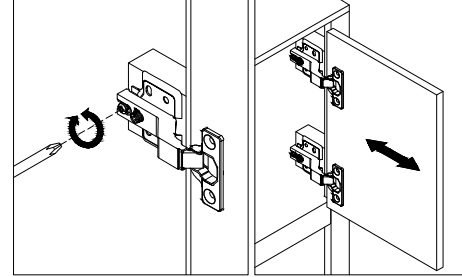
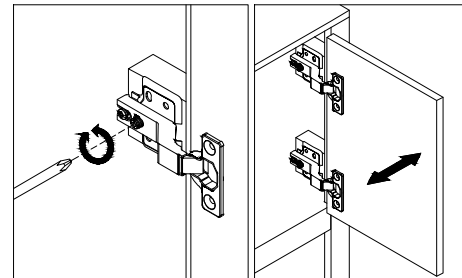
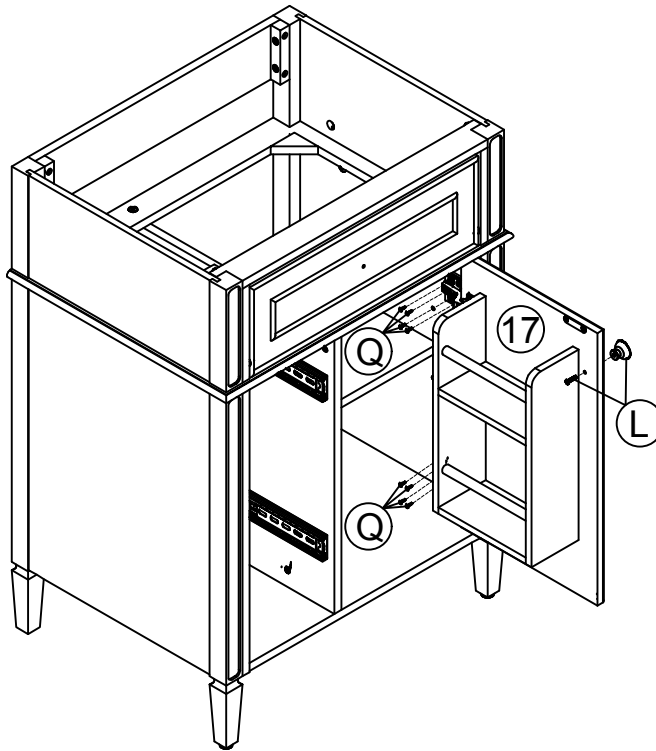
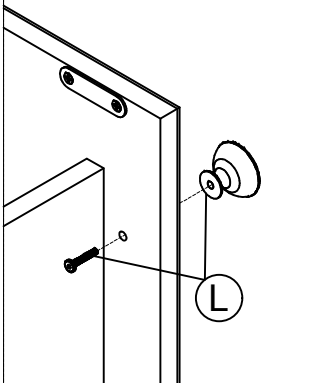
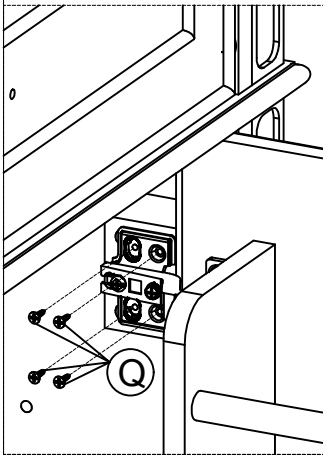
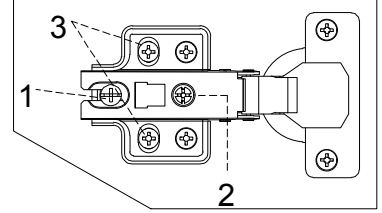
STEP 25




	Ø 15*10MM		4PCS
--	-----------	---	------

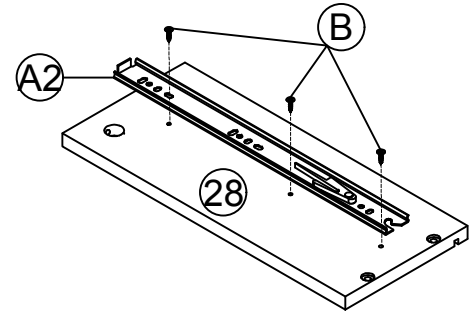
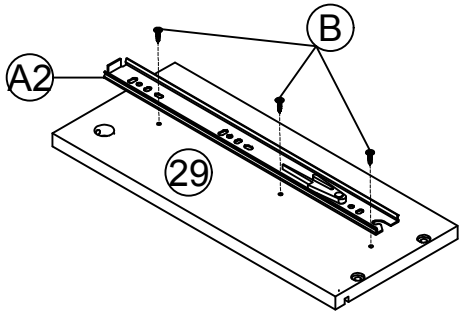
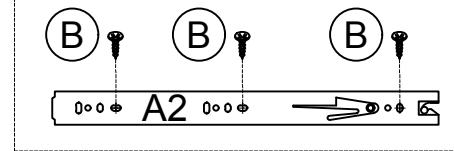
STEP 26



Three-way adjustable hinge for perfectly aligned doors
 1. TO ADJUST DOOR FORWARD OR BACKWARD.
 2. TO ADJUST DOOR TO RIGHT OR TO LEFT.
 3. TO ADJUST DOOR UP OR DOWN.



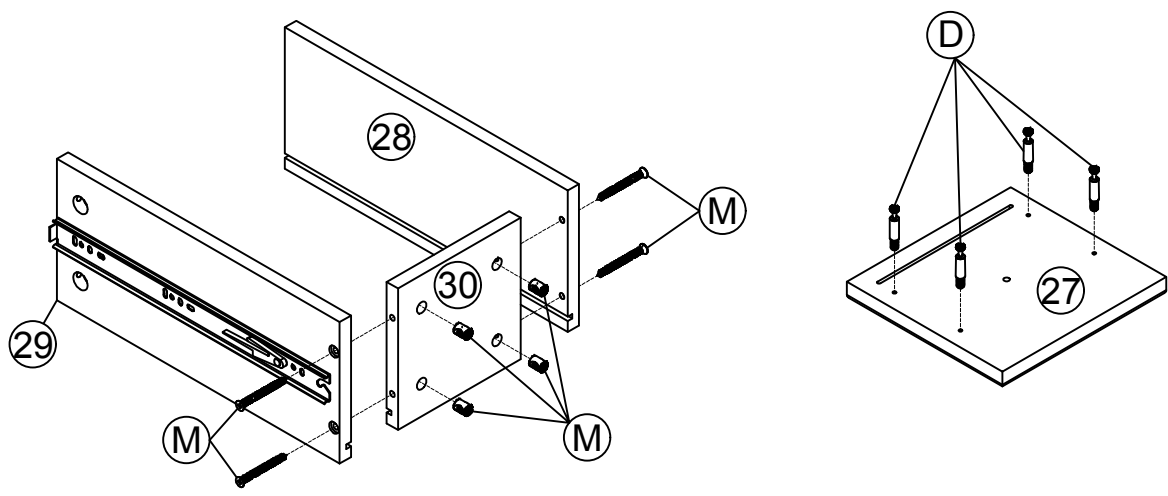
	3.5*12MM		8PCS		M4*18MM		1SET
--	----------	---	------	---	---------	---	------


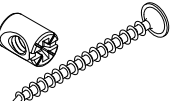
STEP 27



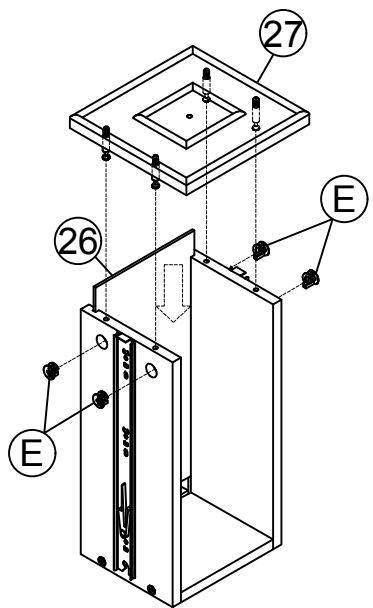
<p>(B) 3.5*10MM</p> 	<p>6PCS</p>	<p>(A) A2 : D300MM</p> 	<p>2PCS</p>
---	-------------	--	-------------

STEP 28



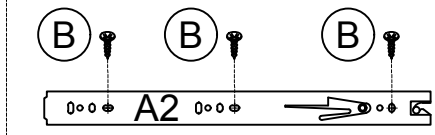
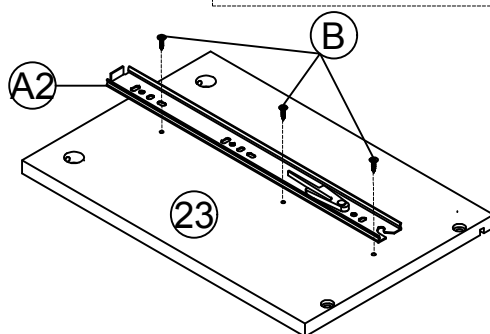
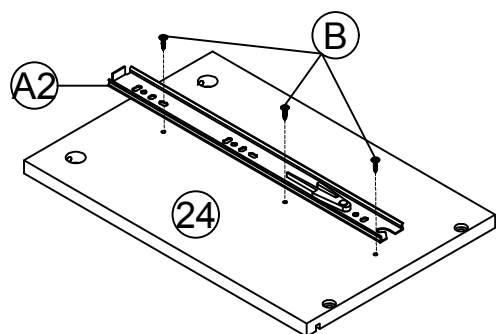
<p>(D) Ø5*35MM</p> 	<p>4PCS</p>	<p>(M) M4*50MM</p> 	<p>4SETS</p>
--	-------------	--	--------------

STEP 29



<p>(E) Ø 15*10MM</p> 	<p>4PCS</p>
--	-------------

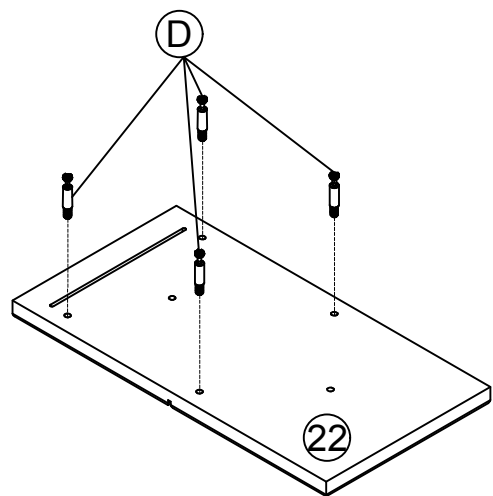
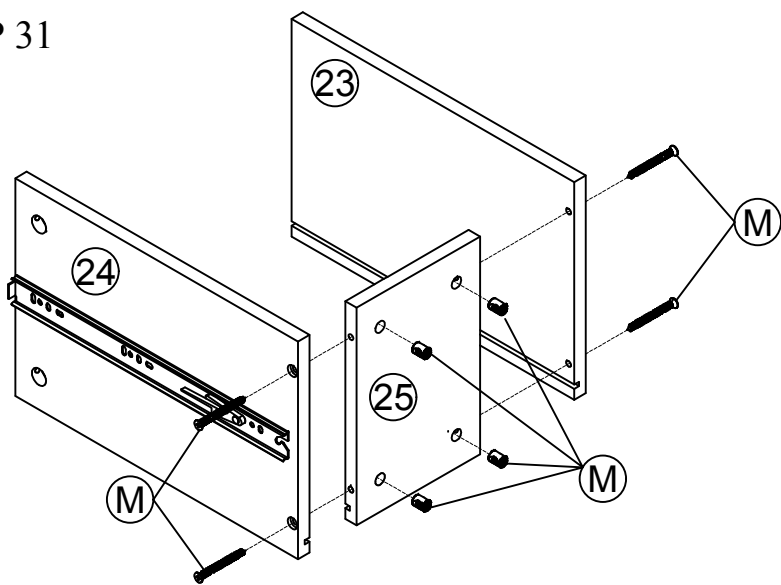
STEP 30



(B)	3.5*10MM		6PCS
-----	----------	---	------

(A)	A2 : D300MM		2PCS
-----	-------------	---	------

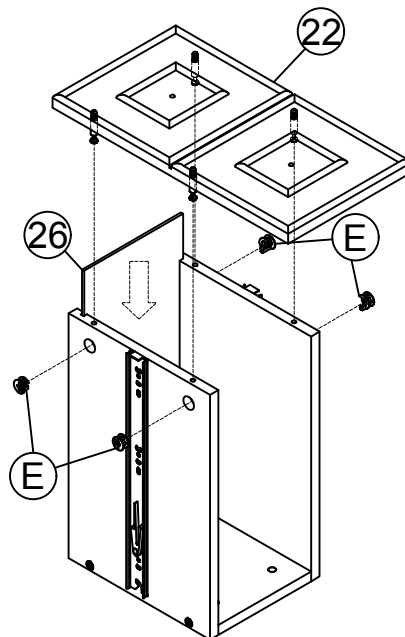
STEP 31



(D)	Ø5*35MM		4PCS
-----	---------	---	------

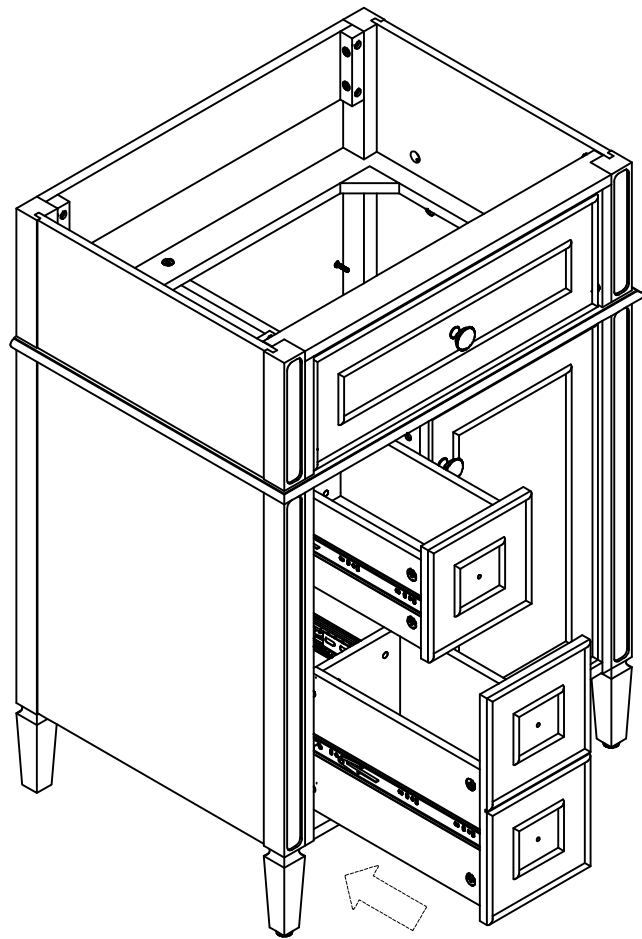
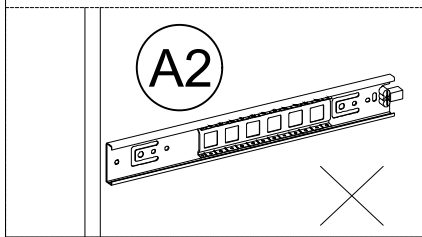
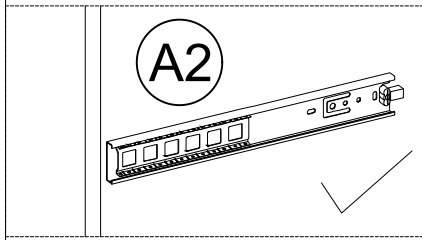
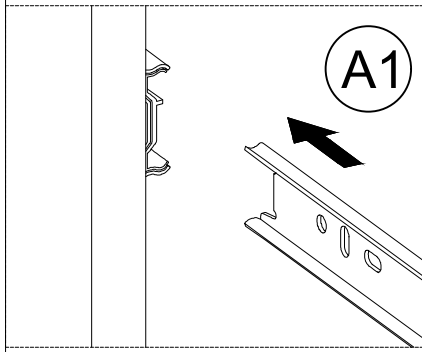
(M)	M4*50MM		4SETS
-----	---------	---	-------

STEP 32

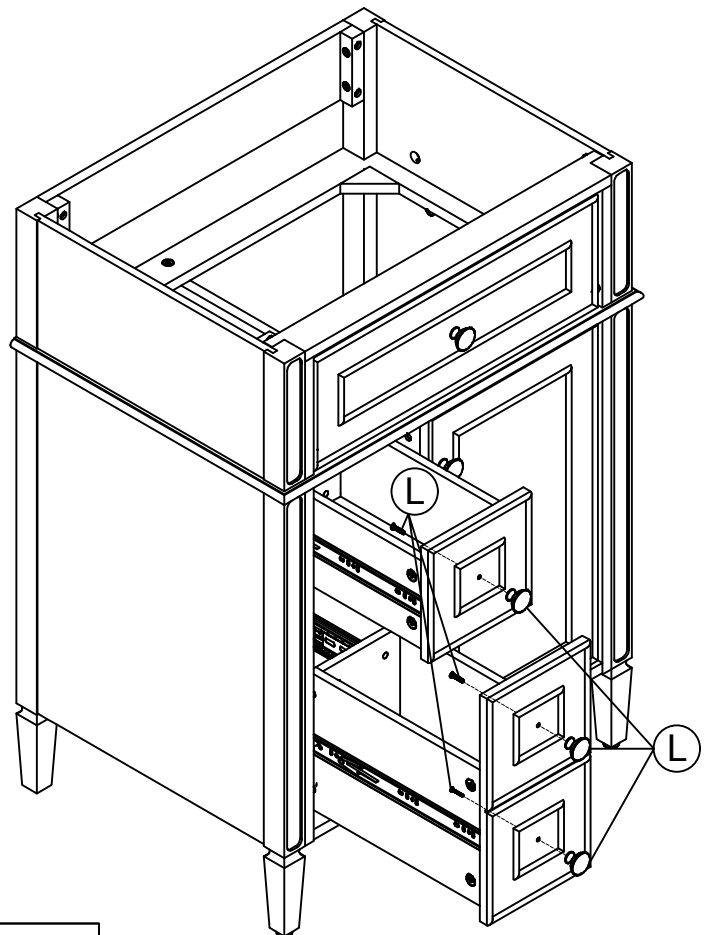


(E)	Ø 15*10MM		4PCS
-----	-----------	---	------

STEP 33



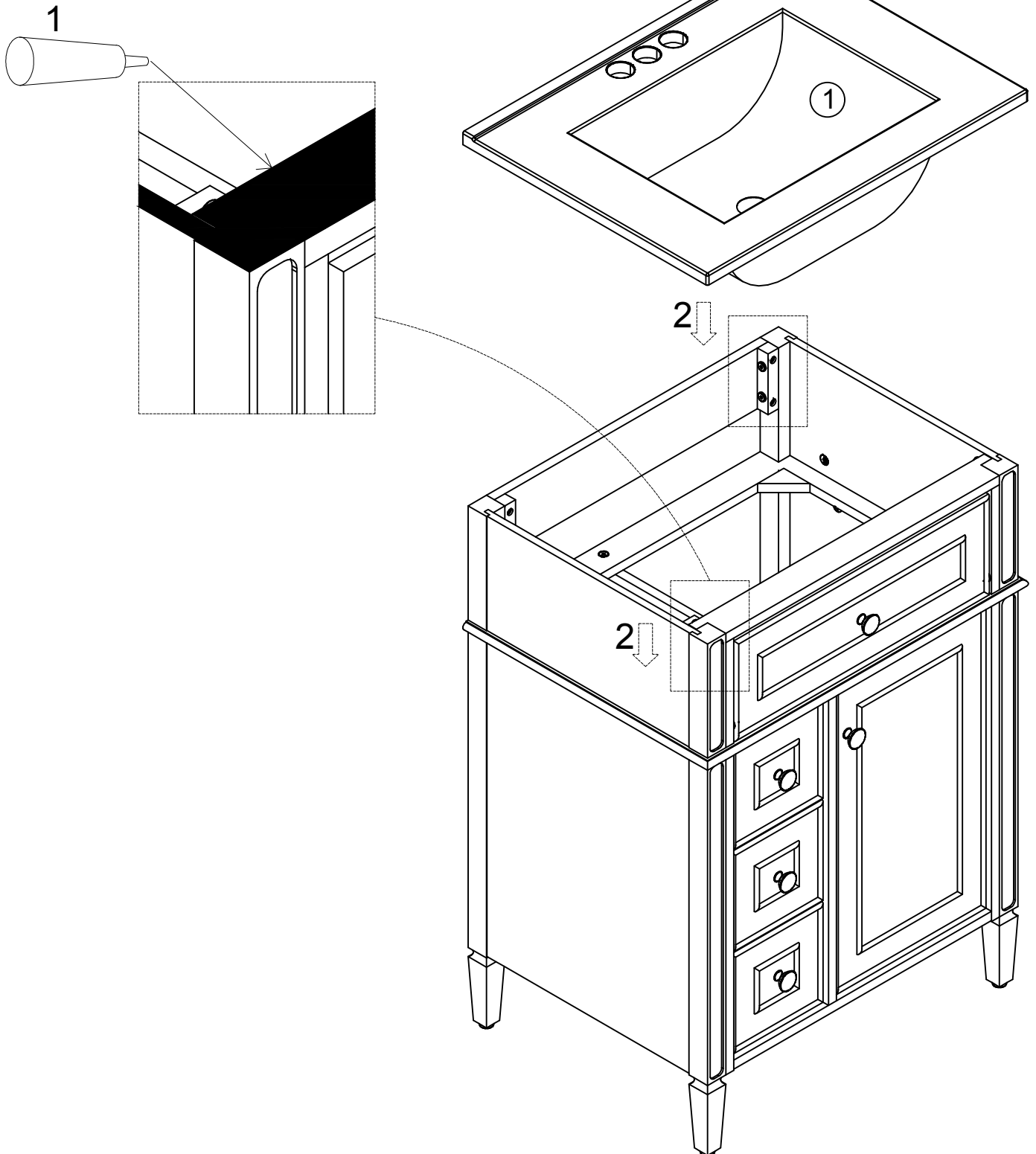
STEP 34



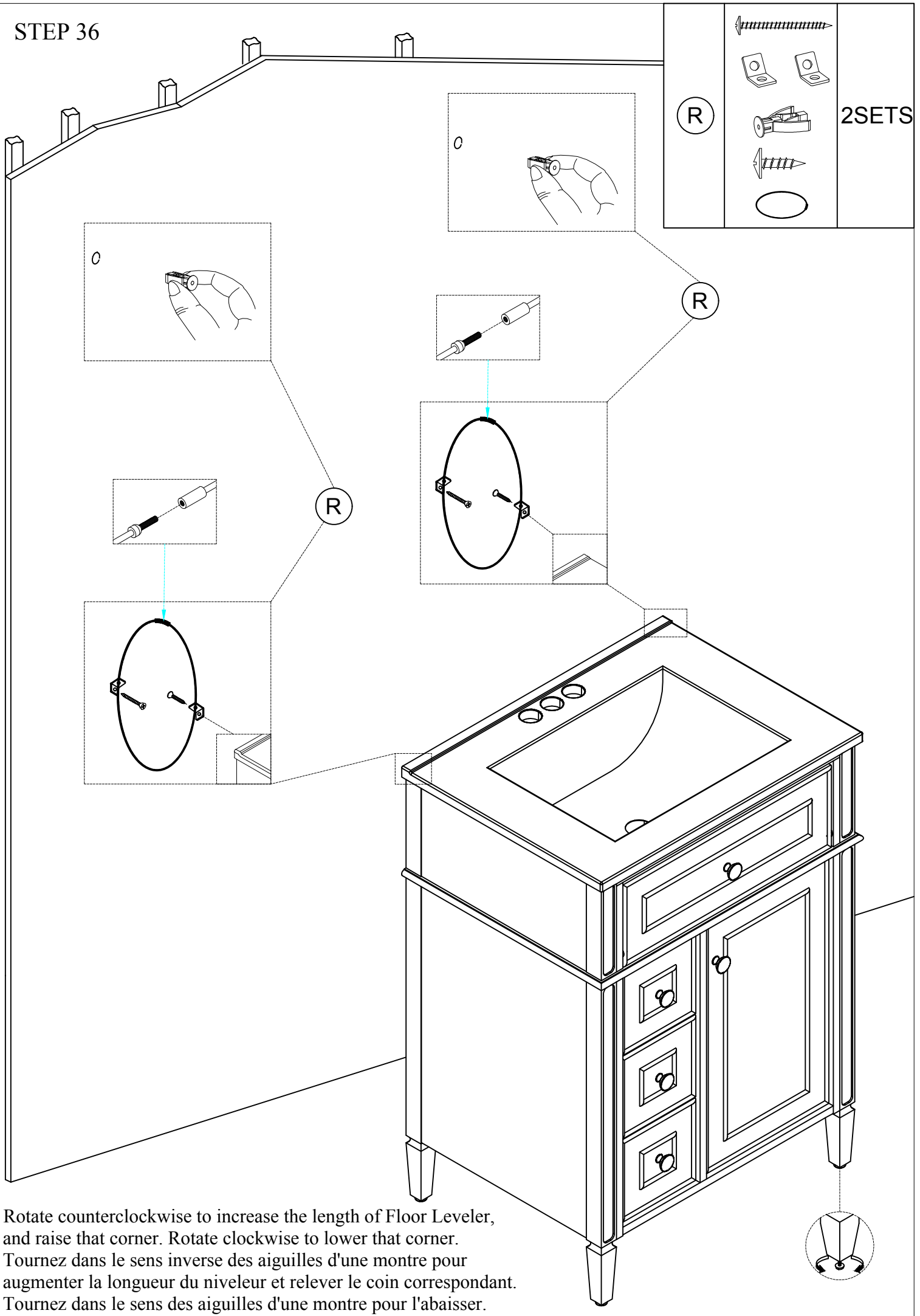
L	M4*18MM		3SETS
---	---------	---	-------

STEP 35

To install the Top (1) to the vanity (2).
Apply silicone caulk to the top edge of the wood cabinet. With the help of another adult, gently lower the Sink top with assembled sink onto the cabinet. Make sure the Sink top is flush with the back side of the wood cabinet and the wood cabinet left and right side walls.

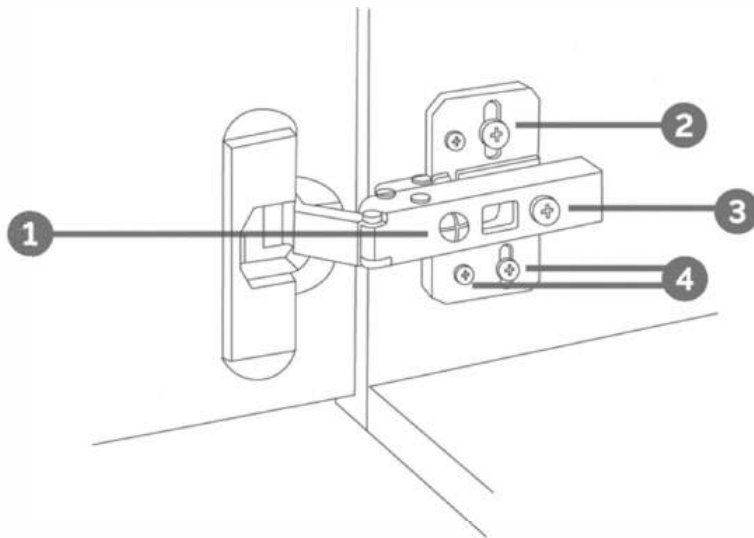


STEP 36



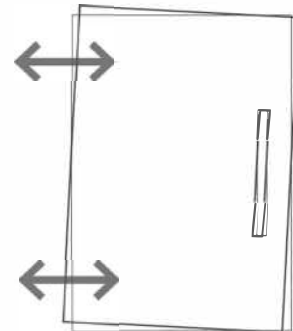
Rotate counterclockwise to increase the length of Floor Leveler, and raise that corner. Rotate clockwise to lower that corner.
 Tournez dans le sens inverse des aiguilles d'une montre pour augmenter la longueur du niveleur et relever le coin correspondant.
 Tournez dans le sens des aiguilles d'une montre pour l'abaisser.

HINGE ADJUSTMENTS



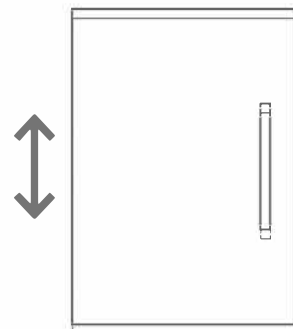
1 Sideways / Tilt adjustment

Turn the screw
clockwise to move the door further away from the side of the cabinet
anticlockwise to move the door closer to the side of the cabinet



2 4 Height adjustment

While supporting the weight of the door, turn the screws
clockwise to move the door up
anticlockwise to move the door down



3 Forward and back adjustment

If the gap between the back of the door and the cabinet is too small, and the door may not close fully. Turn the screw
clockwise to decrease the gap between the door and the cabinet
anticlockwise to increase the gap between the door and the cabinet

