

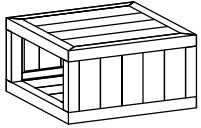
SIDE TABLE

ASSEMBLY INSTRUCTIONS

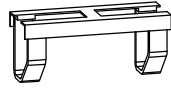
PARTS AND FITTING PACKAGING DETAIL

BOX#1

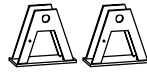
A. BODY 1PC



B. STAND 1PC



C. WHEEL 2PCS
BRACKET



D. WHEELS 2PCS

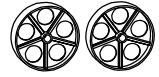
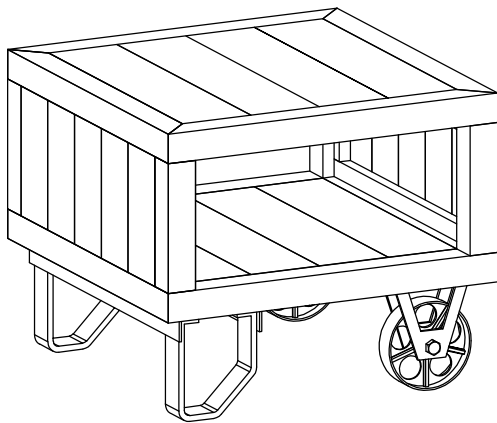
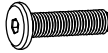
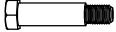






TABLE ASSEMBLED



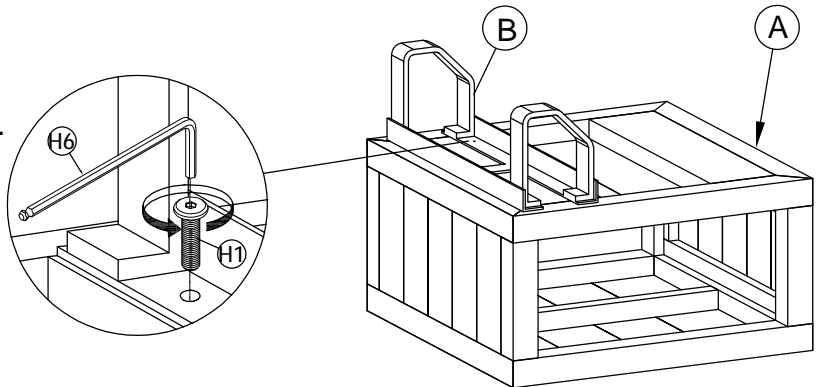
HARDWARE * PACKED IN BOX #1

H1	BOLT M8 X 30mm	12 PCS	H2	WHEEL AXEL Ø25 X Ø80mm	2 PCS
					
H3	FLAT WASHERS 2 X Ø14 X Ø32mm	2 PCS	H4	NUT Ø14 X Ø6mm	2 PCS
					
H5	HEX WRENCH 23mm	1 PC	H6	ALLEN KEY M4	1 PCS
					

YOUR BOX MAY CONTAIN EXTRA HARDWARE

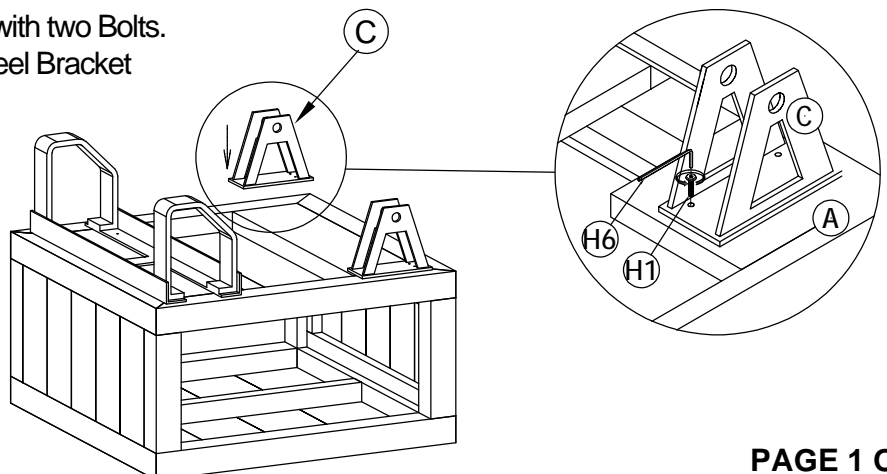
STEP 1

Following the illustration, attach the Stand (B) to the bottom of the Body (A) with four Bolts (H1). Tighten completely with provided Allen Key (H6).
NOTE! Stand can be installed on either side of the Body.



STEP 2

Attach one Wheel Bracket (C) to the Body with two Bolts. Tighten completely. Repeat for second Wheel Bracket



SIDE TABLE

ASSEMBLY INSTRUCTIONS

STEP 3

Attach Wheels (D) to Wheel Brackets (C) using Wheel Axels (H2), Washers (H3) and Nuts (H4). Tighten each Nut with Hex Wrench (H5). Flip Unit right-side up and assembly is complete.

