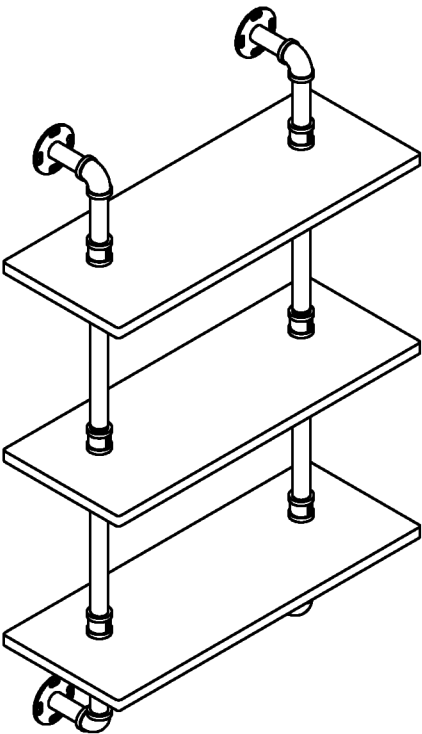


# Assembly Instructions



## ASSEMBLY RATING

The Assembly Rating is a 5-point system that shows the degree of effort needed in assembling a specific product (with 1 being easy and 5 being difficult). For some products, two persons are recommended.

## Tools Required For Assembly:

Phillips Screwdriver



EASY  DIFFICULT

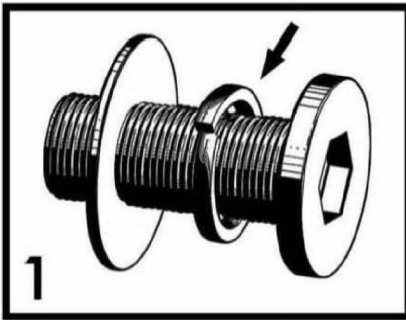


2 PERSONS RECOMMENDED

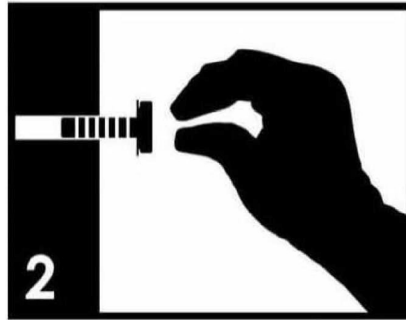
# ASSEMBLY & CARE ADVICE

FOR YOUR FURNITURE TO LAST, CORRECT ASSEMBLY AND PROPER MAINTENANCE ARE NECESSARY. PLEASE FOLLOW THE INFORMATION PROVIDED BELOW TO FULLY ENJOY YOUR FURNITURE.

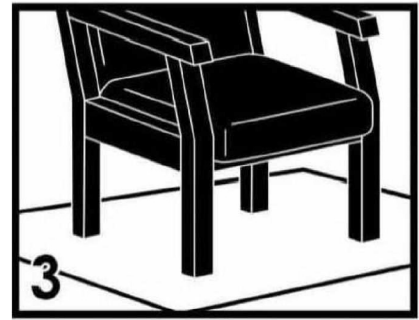
## BASIC ASSEMBLY TECHNIQUES



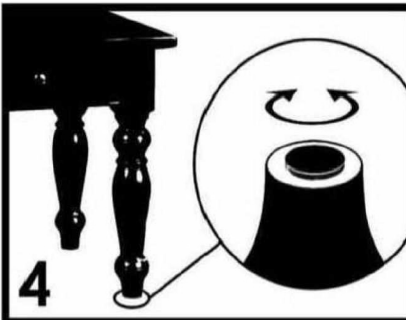
When lock or spring washer is used in an assembly, please make sure the lock or spring washer is placed between the larger flat washer and the head of the screw or bolt.



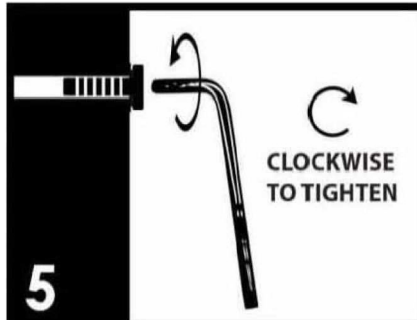
Position each part correctly and insert screws or bolts into their respective holes by hand tighten or using the proper hand tool. Only tighten when step is completed or when instructed to do so.



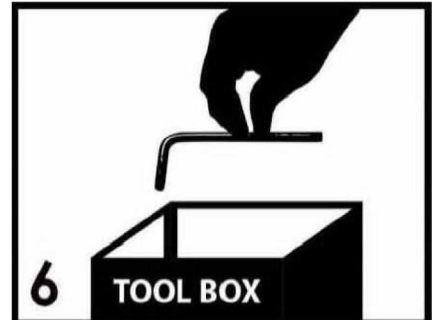
Use cardboard or carpet area when assembling furniture to prevent scratches. Make sure the furniture rests on a flat and level surface with each leg evenly touching the floor. No dragging of products/parts.



Some furniture comes with height adjustment knobs underneath each leg. To lower or to raise each leg, you need to turn clockwise or counterclockwise, respectively.



Make sure all parts are properly aligned, then use the appropriate hand tool to completely tighten the bolts or screws. Do not use power tools and do not overtighten.

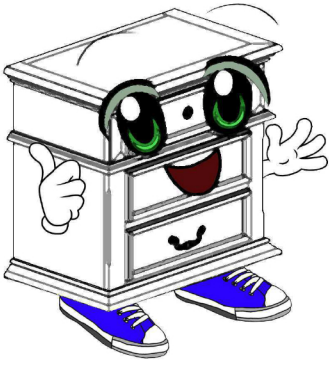


Save the instructions and store the Allen wrench or any supplied tool for later maintenance. After two weeks, check and tighten any loose hardware and repeat again every six months thereafter.

IT IS THE USER'S RESPONSIBILITY TO MAINTAIN THE FURNITURE. THE HARDWARE MAY LOOSEN OVER TIME AND MAY CAUSE THE FURNITURE TO BE WOBBLY AND UNABLE TO SUPPORT ITS INTENDED WEIGHT CAPACITY. THIS MAY LEAD TO COLLAPSE AND MAY CAUSE SERIOUS INJURY.



**FAILURE TO FOLLOW THE GUIDELINES ABOVE MAY RESULT IN INJURY AND/OR PROPERTY DAMAGE.**



Before you begin, please read Page 2 of "Assembly and Care Advice".

And remember, do not tighten until each step is completed or instructed.

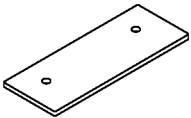
### Parts List



#1 x 4pcs  
Fix Plate



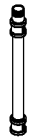
#2 x 4pcs  
Support Frame



#3 x 3pcs  
Shelf



#4 x 2pcs  
Lower Connect Tube



#5 x 2pcs  
Upper Connect Tube

### Hardware List



#A x 8pcs  
Bolt Ø5x25



#B x 8pcs  
Screw M5x25



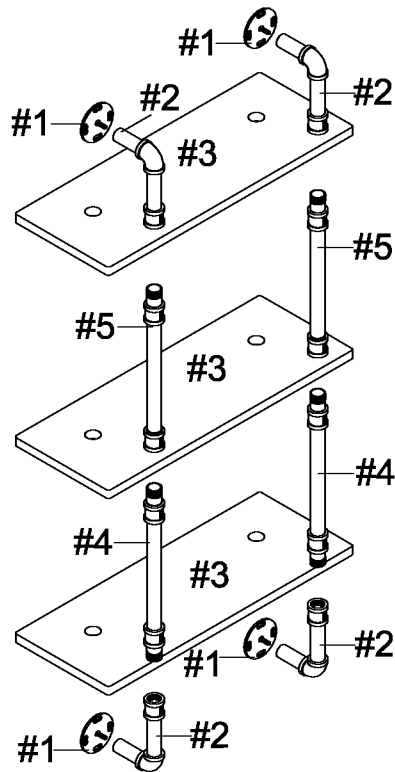
#C x 8pcs  
Washer



#D x 4pcs  
Padding washer

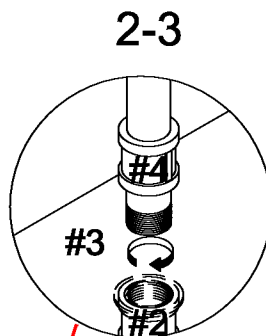
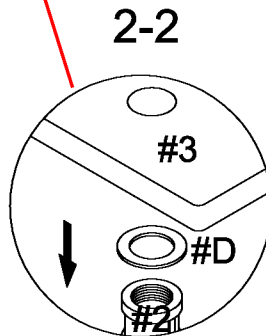
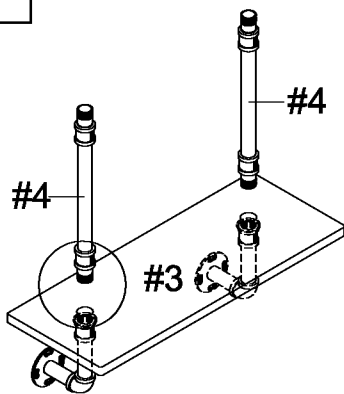


# Exploded View

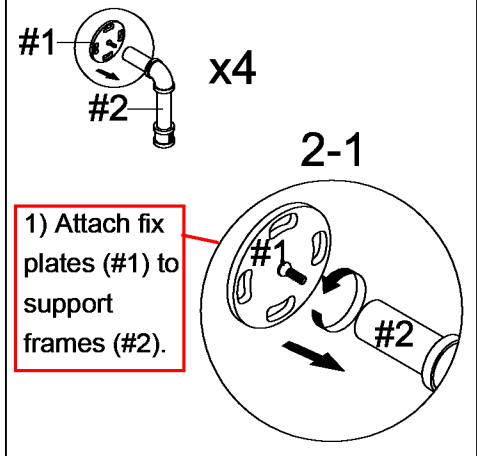


#D x 2pcs

2) Align support frames (#2) with washers (#D) to the shelf (#3).



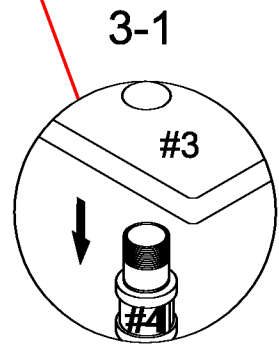
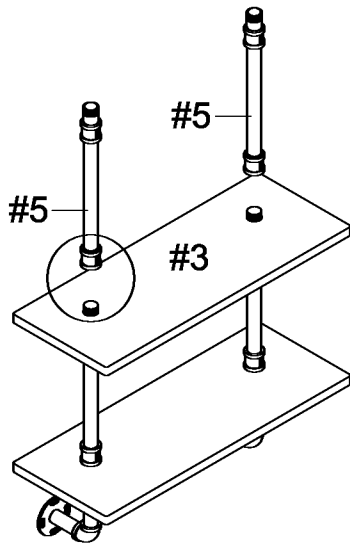
3) Secure by attaching lower connect tubes (#4) through the shelf (#3) into the support frames (#2).



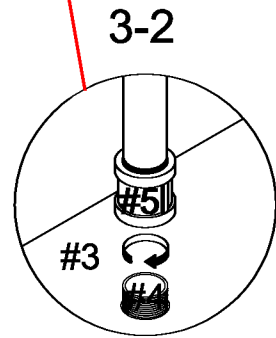
1) Attach fix plates (#1) to support frames (#2).



1) Align lower connect tubes (#4) to the shelf (#3).



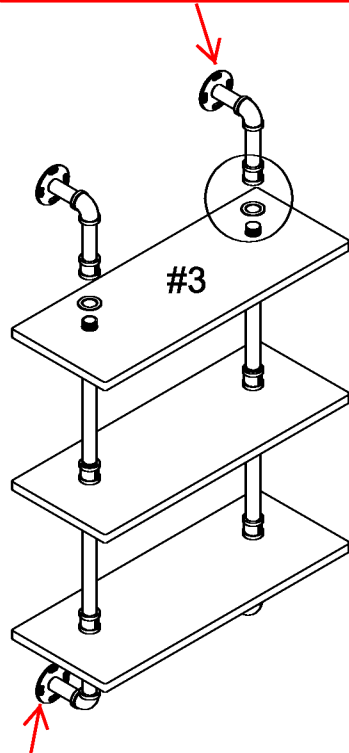
2) Secure by attaching upper connect tubes (#5) through the shelf (#3) into the lower connect tubes (#4).



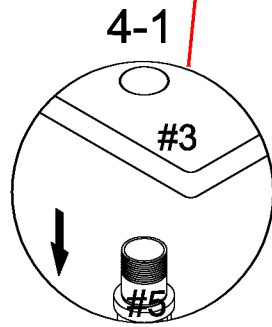
#D x 2pcs

1) Align upper connect tubes (#5) to the shelf (#3).

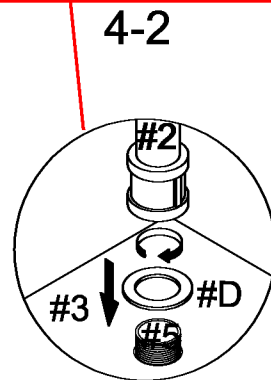
Rotate in the same direction.



Rotate in the same direction.

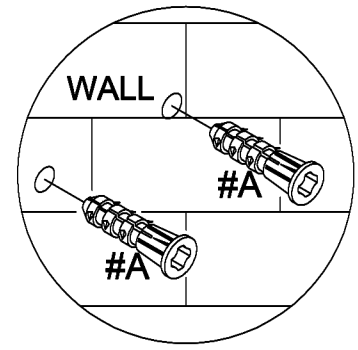
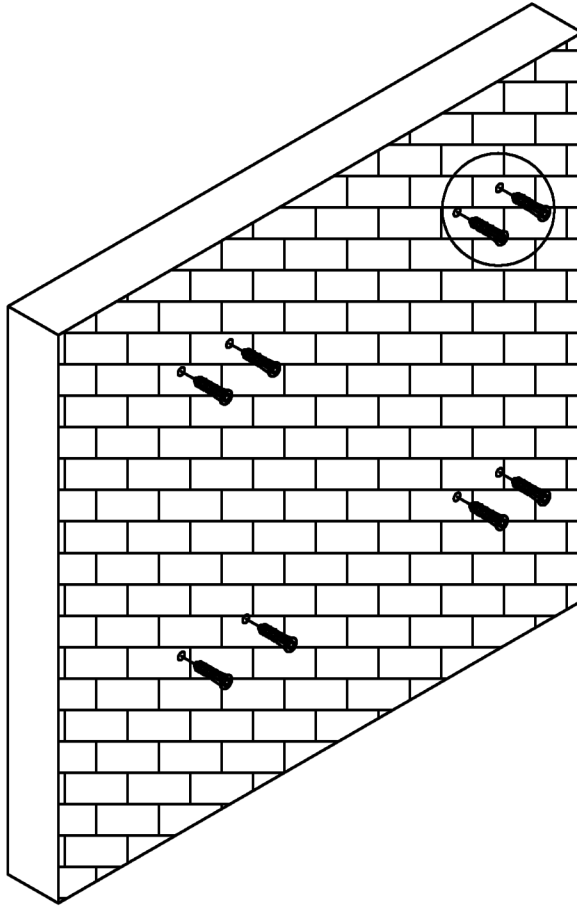


2) Secure by attaching support frame (#2) with washers (#D) to upper connect tubes (#5).





#A x 8pcs



#B x 8pcs  
#C x 8pcs

