

INSTALLATION

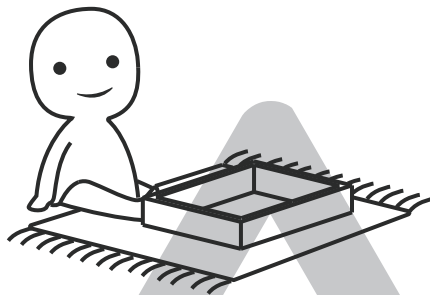
Product Manual

Version: 460112US-01-25A-LJ



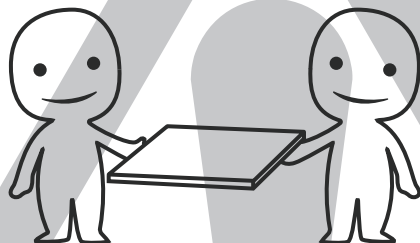
IMPORTANT INFORMATION!

please read the entire manual before starting to assemble and/or using this product. follow the manual thoroughly and keep it for further reference.



AVOID SCRATCHES!

In order to avoid scratching this furniture should be assembled on a soft layer - could be a rug.



IMPROVE EFFICIENCY !

Try to find a partner to install with you, which can speed up the installation efficiency and shorten the time.



ANTI-TOPPLE WARNING !

Overtipped furniture can cause serious or fatal crush injuries. To prevent tipping over, be sure to use the wall attachment, if not included with this product. Please purchase the wall attachment that fit your wall. If unsure, seek professional advice. Please read and follow each step of the instructions carefully.

IMPORTANT !

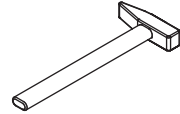
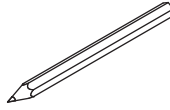
It is important that any product which is assembled using any kind of screw is re-tightened 2 weeks after assembly, and once every 3 months - in order to assure stability through-out the lifespan of the product.

For regular maintenance and cleaning of the product, for the frame, please use a rag dipped in neutral detergent to fully wipe it, and then dry it with a clean rag. For glass materials, wipe with a rag dampened with water glass cleaner, and then dry with a dry rag.

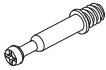









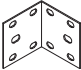
Do not use an electric screwdriver, and do not use too much force when installing, because the board is easy to break.

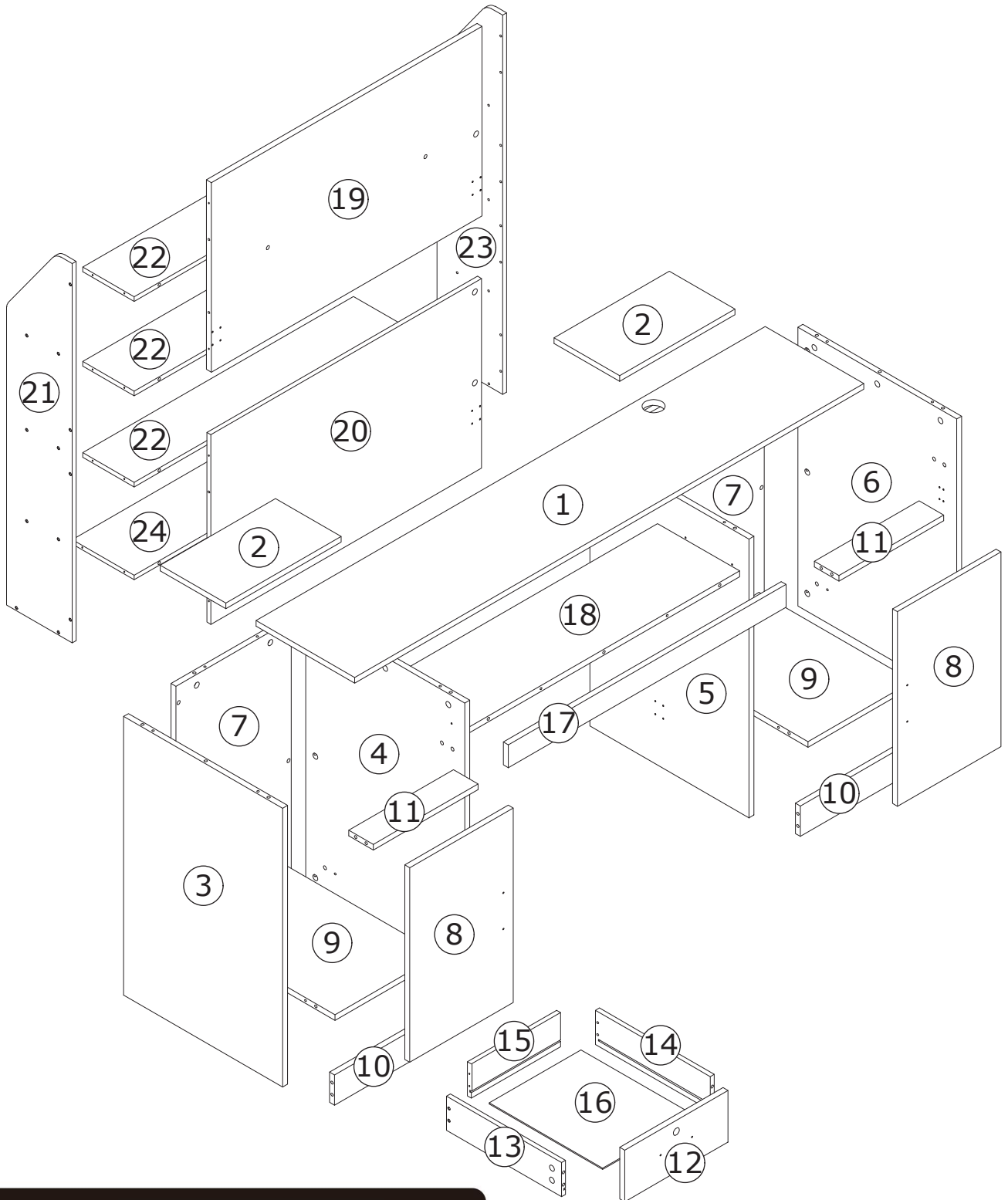


Please prepare the following tools



When installing, please carefully confirm whether each screw corresponds to the manual, accessories with similar shapes can be distinguished by size

A x 77  CRA0635A	B x 77  CRB1595A	C x 77  CRC0540A	D x 22  CRD0540A	E x 44  CRF0630A
F x 18  CRD0314A	G x 44  CRD3512A	H x 36  CRD3514A	J x 4  #3508 14"	K x 2  #3508 10"
M x 2  CRE0418A	N x 4  LED	P x 4  LED	Q x 1  LED	R x 6  3.5 x 12 mm
S x 1  Ø60 mm	T x 4  DGA861C	U x 8  CRD3520A	V x 9 	W x 4 



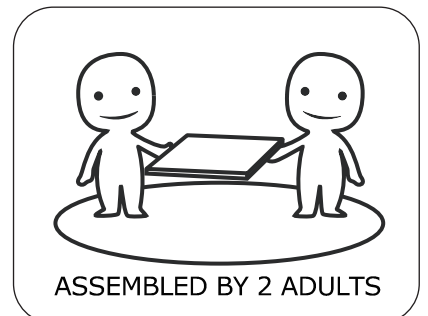
⚠ WARNING

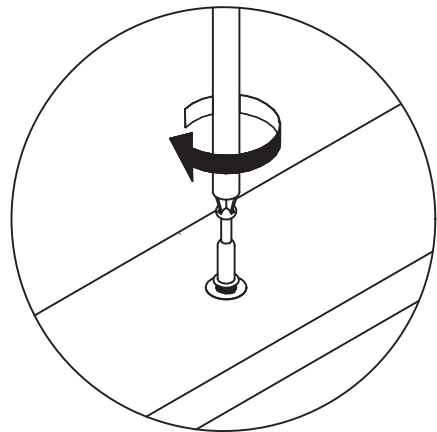
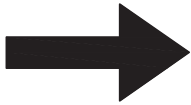
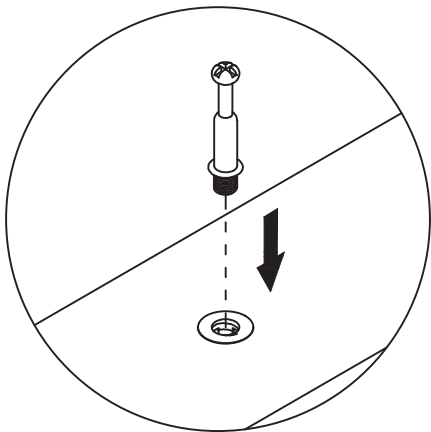
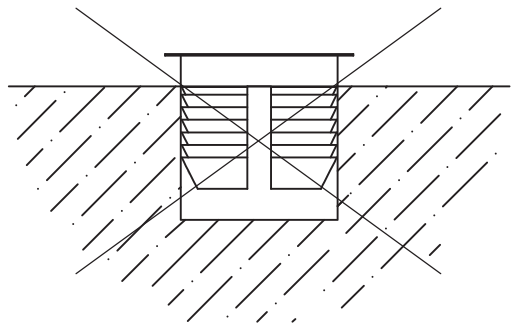
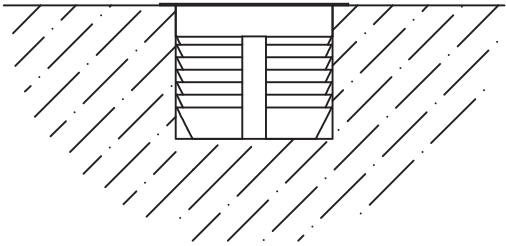
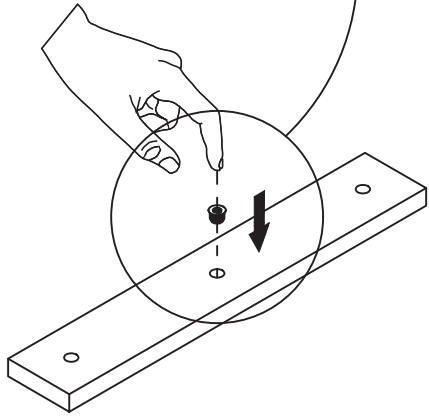
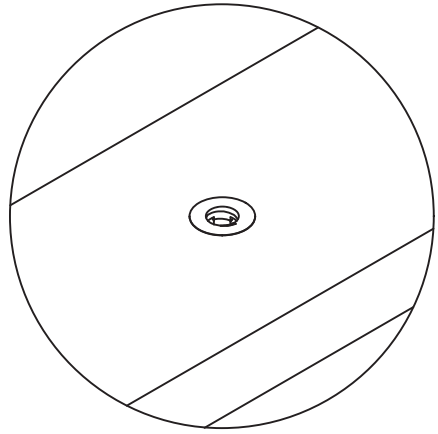
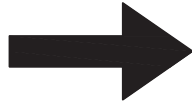
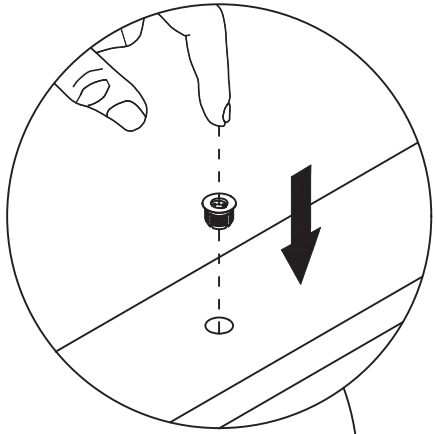


Children have died from furniture tipover. To reduce the risk of furniture tipover:

- ALWAYS install Anti-tip device provided.
- NEVER put a TV on this product.
- NEVER allow children to stand, climb or hang on drawers, doors, or shelves.
- NEVER open more than one drawer at a time.
- Place heaviest items in the lowest drawers.

*This is a permanent label.
Do not remove!*

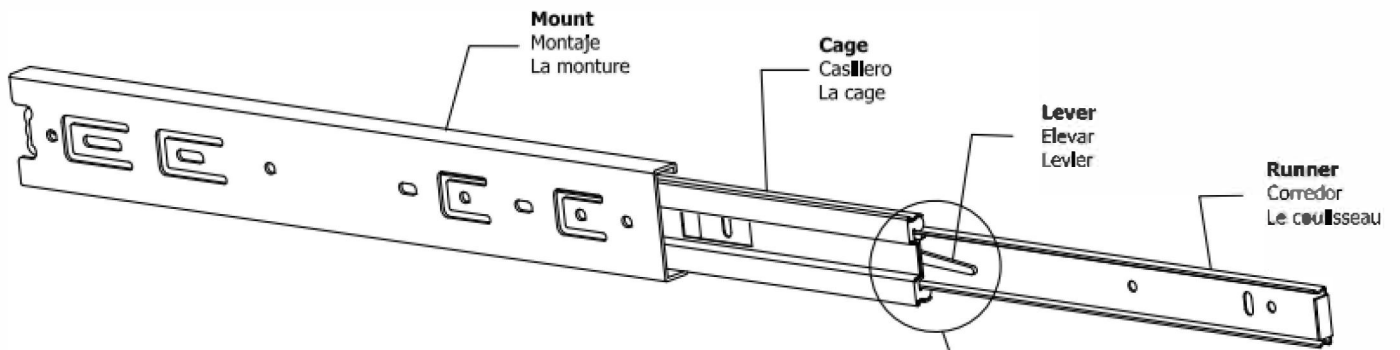




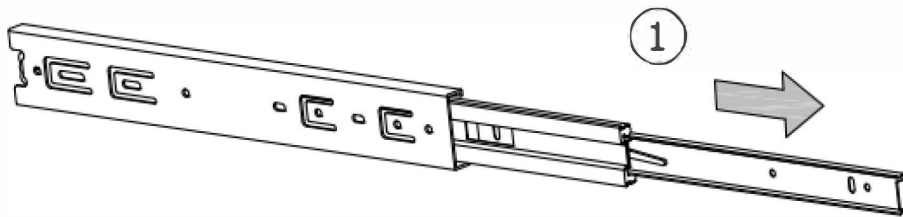
**Slides Must Be Separated Before Assembly.
After Separated, Set Aside Until Needed for Assembly.**

Las diapositivas deben separarse antes del montaje.
Después de la separación, déjelo a un lado hasta que sea necesario.

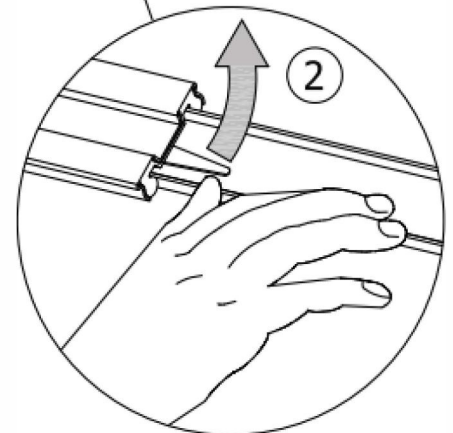
Les glissières doivent être séparées avant l'assemblage.
Après la séparation, mettez de côté jusqu'au moment de l'assemblage.



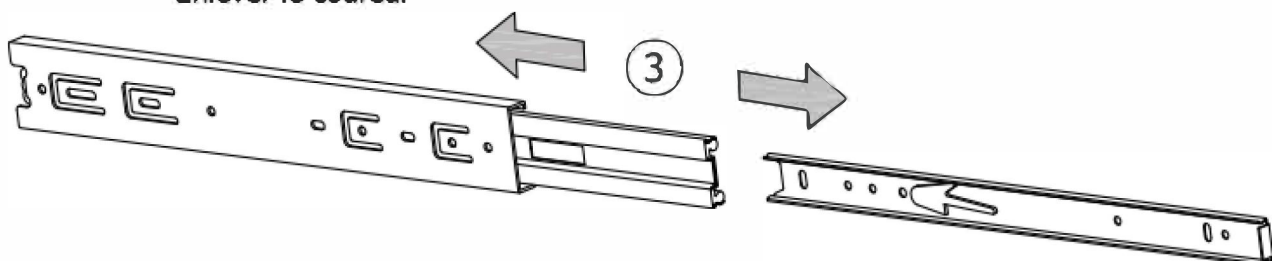
STEP 1: Extend Slide
Extender la diapositiva
Extendre la diapositive



STEP 2: Push Lever UP
Empujar hacia arriba
Lever le levier

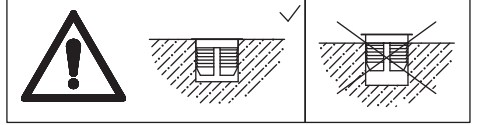


STEP 3: Remove Runner
Quitar el corredor
Enlever le coureur

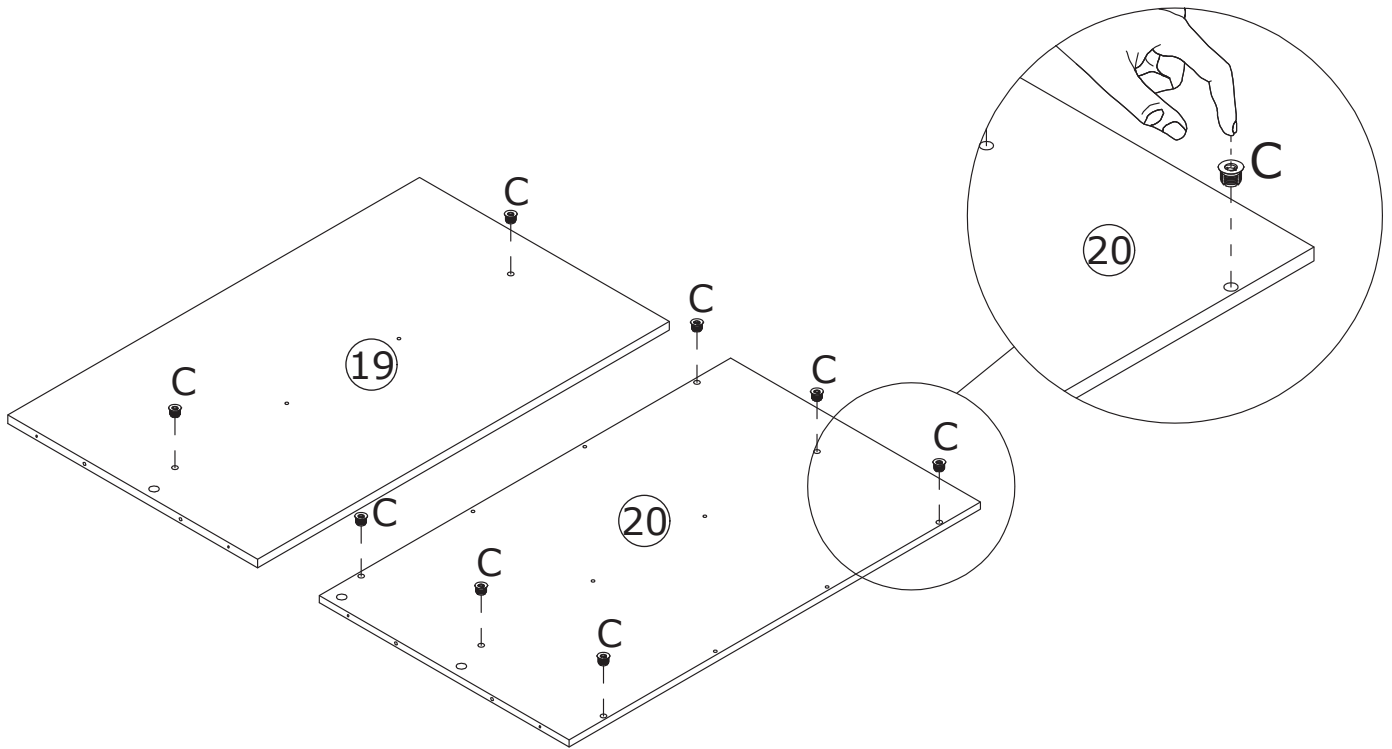


1

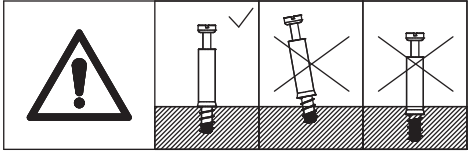
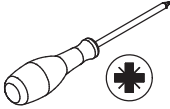
C x 8



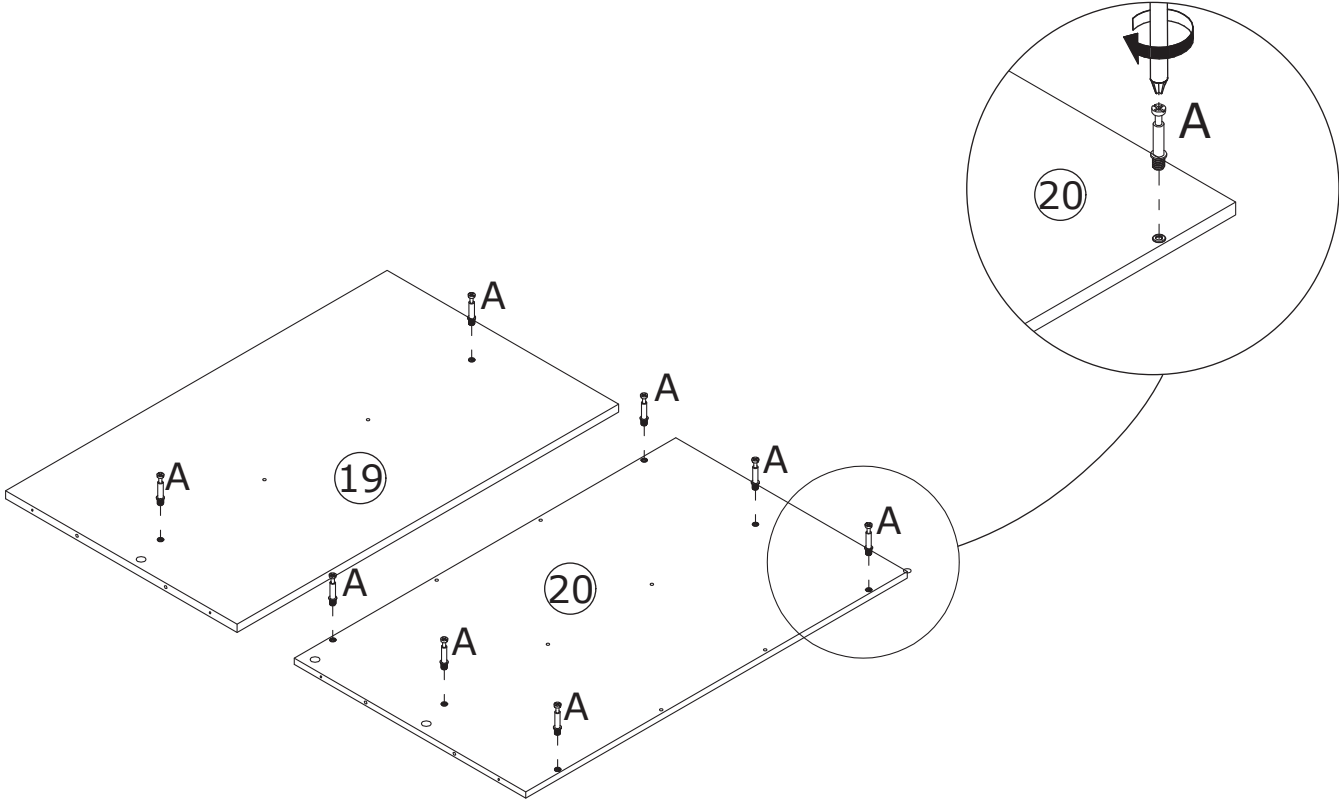
Press the embedded part (C) into panels 19 and 20.




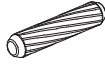


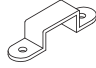
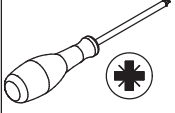
2

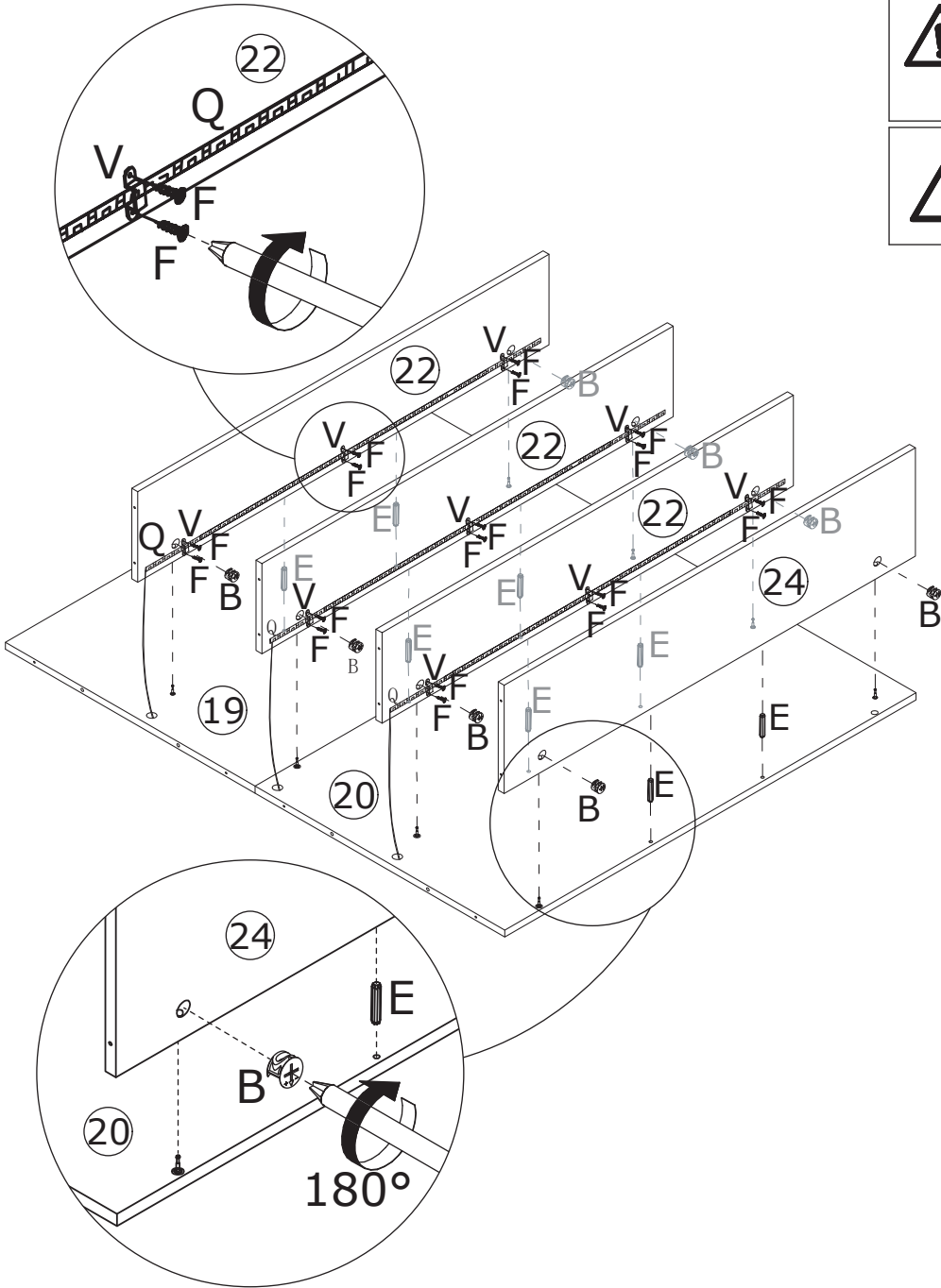
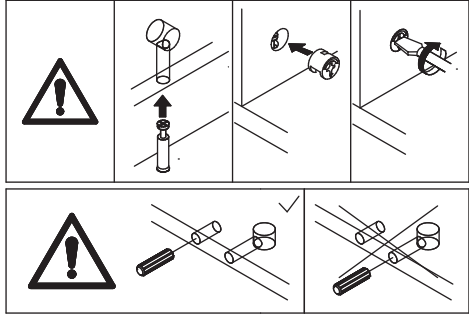


Secure screw (A) to panels 19 and 20.



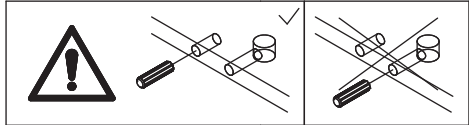
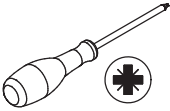
3

B x 8  CRB1595A	E x 8  CRF0630A	F x 18  CRD0314A	Q x 1  LED	V x 9  CRF0630A	
--	--	---	--	--	---

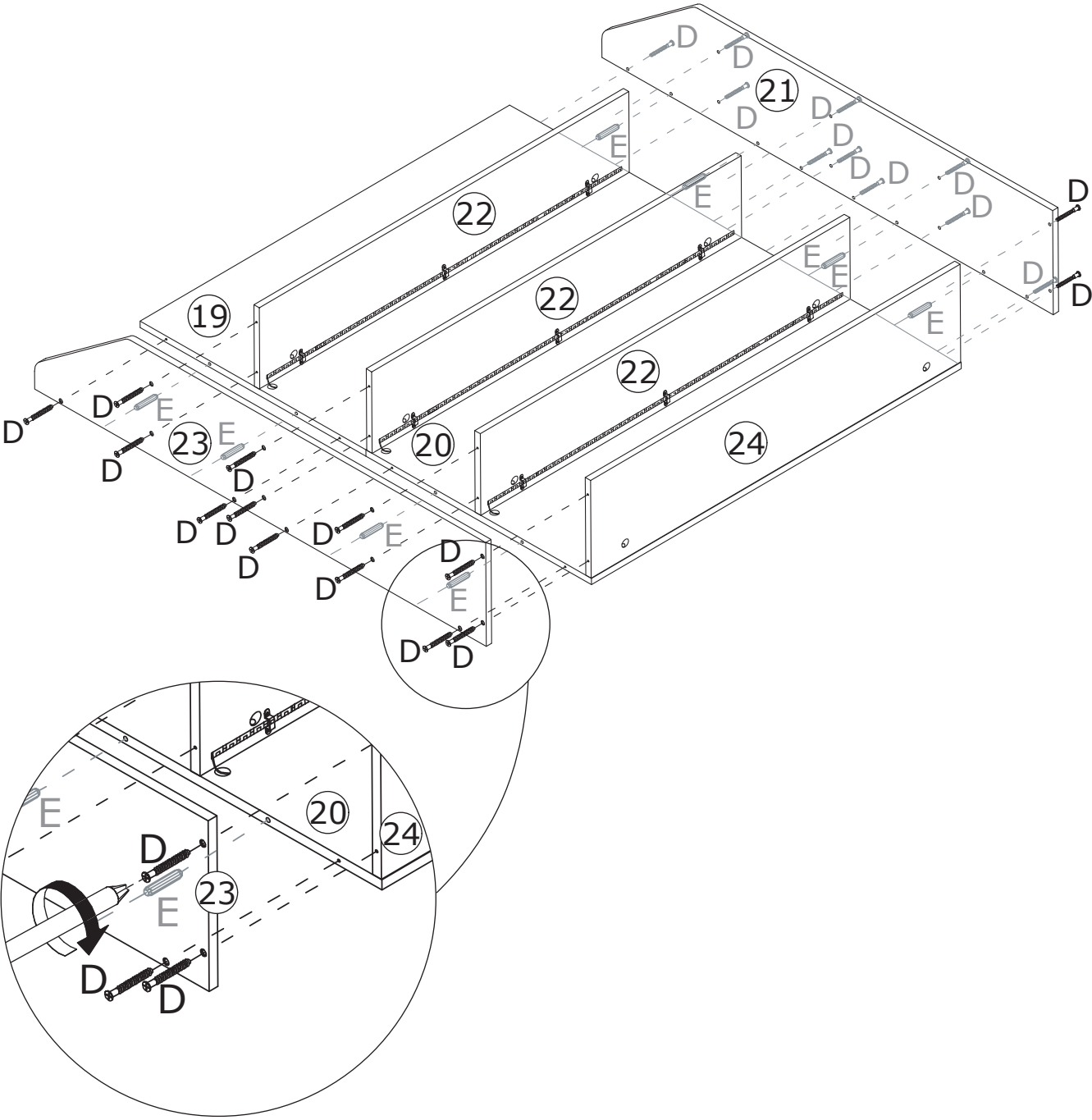


Attach the light strip (Q) to panel 22, securing them with self-tapping screws (F) and fittings (V).
Connect panels 22 and 24 to panels 19 and 20 using wooden dowels (E), tighten the CAM locks (B) clockwise.

4



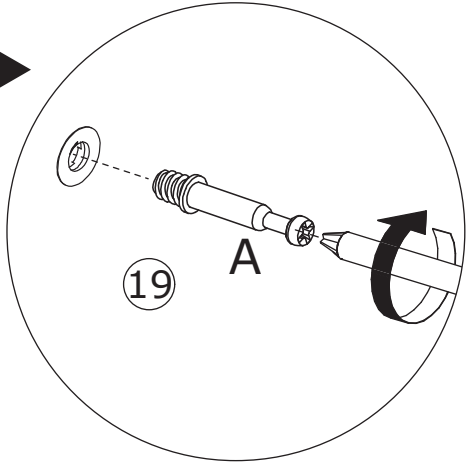
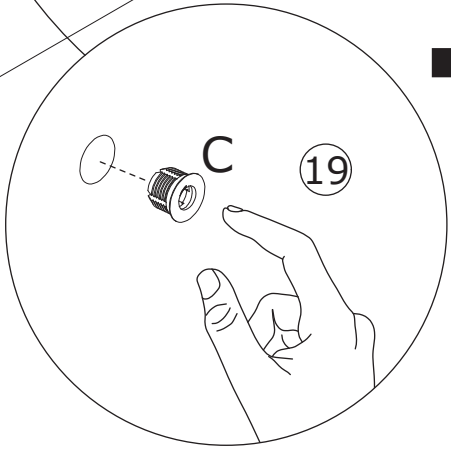
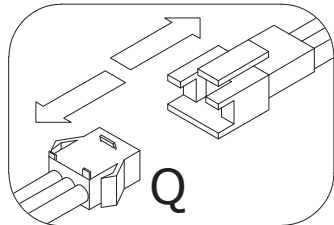
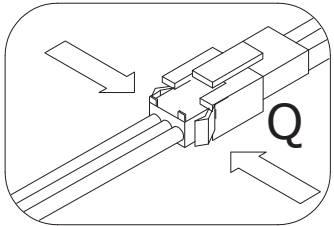
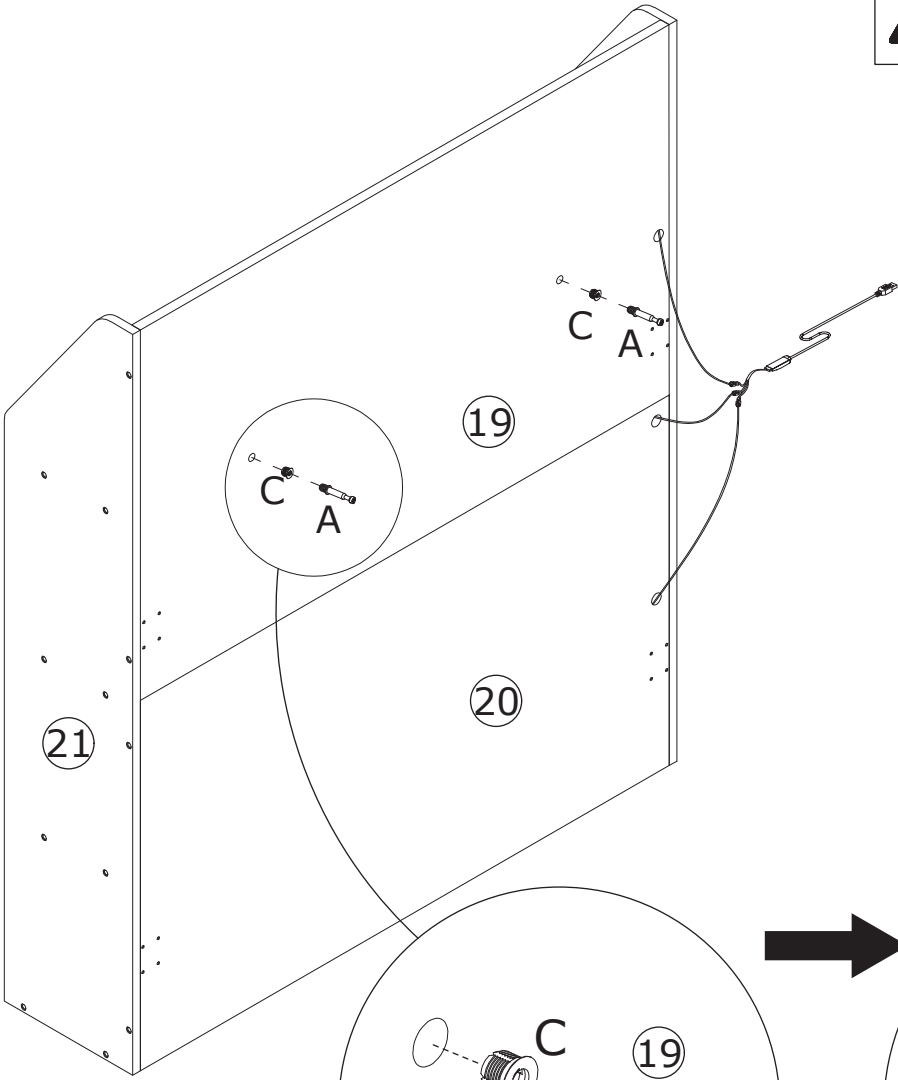
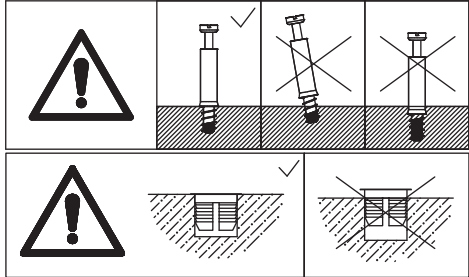
Connect panels 21 and 23 to panels 19 and 20 using wooden dowels (E).
Then secure panels 21 and 23 to panels 19, 20, 22, and 24 using screws (D).



5

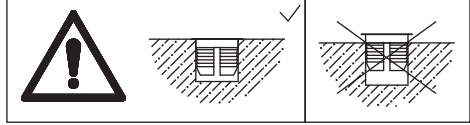


Press the embedded part (C) into panel 19,
then secure screw (A) into.

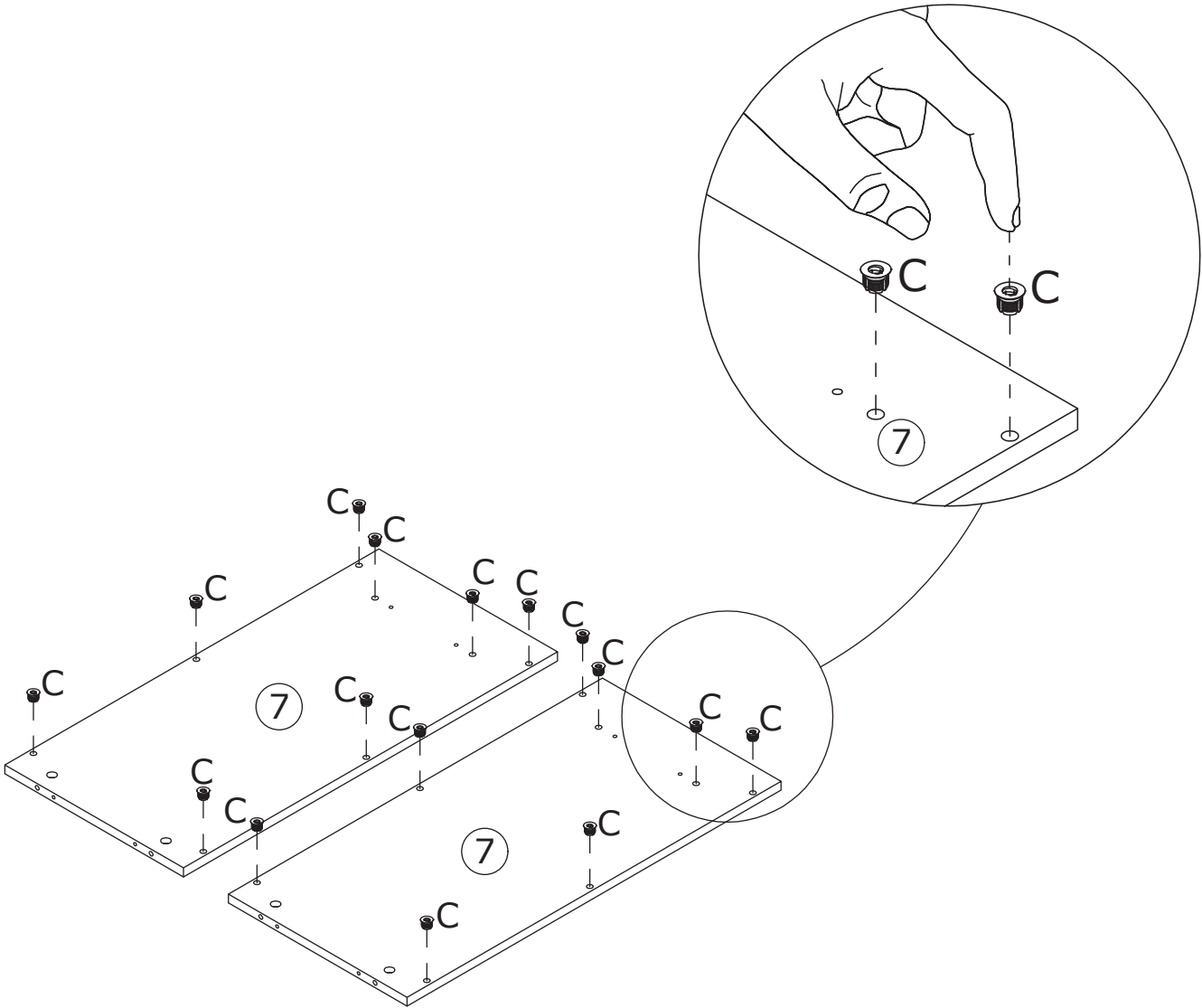


6

C x 16

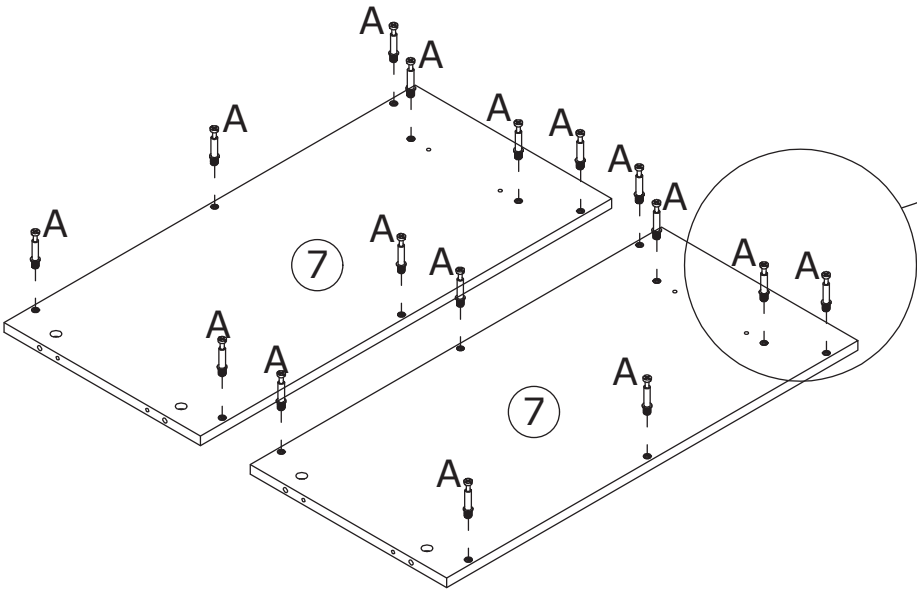
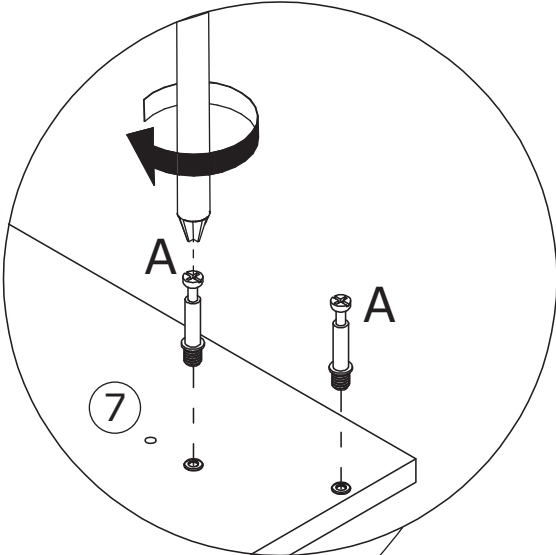
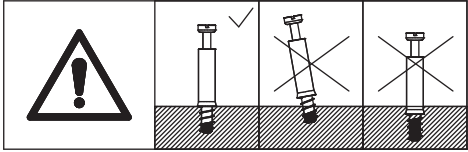
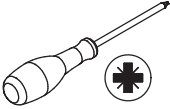


Press the embedded part (C) into panel 7.



7

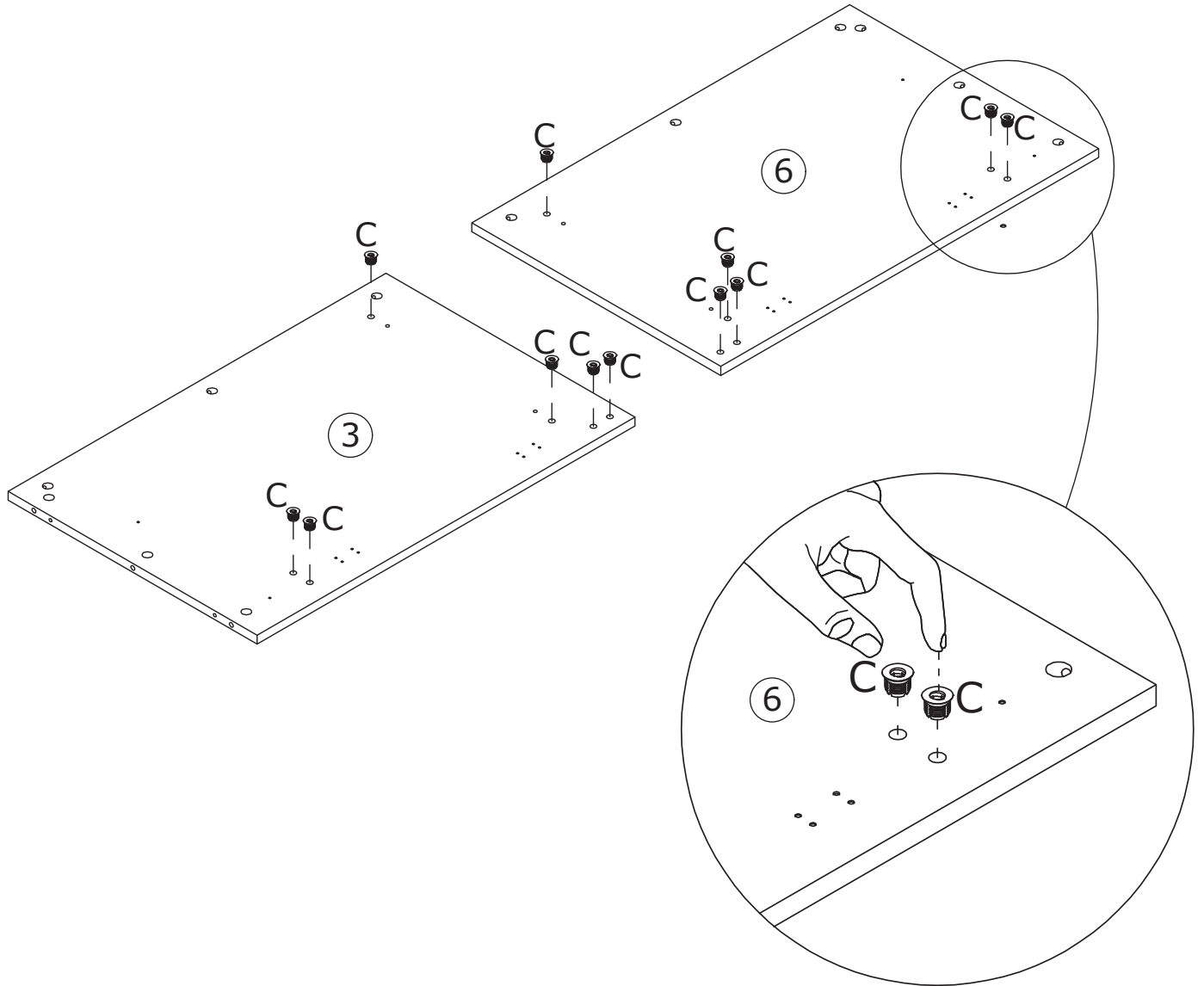
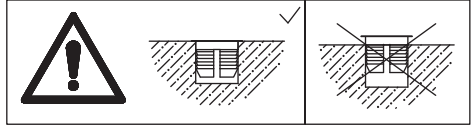
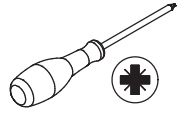
A x 16
CRA0635A



Secure screw (A) to panel 7.

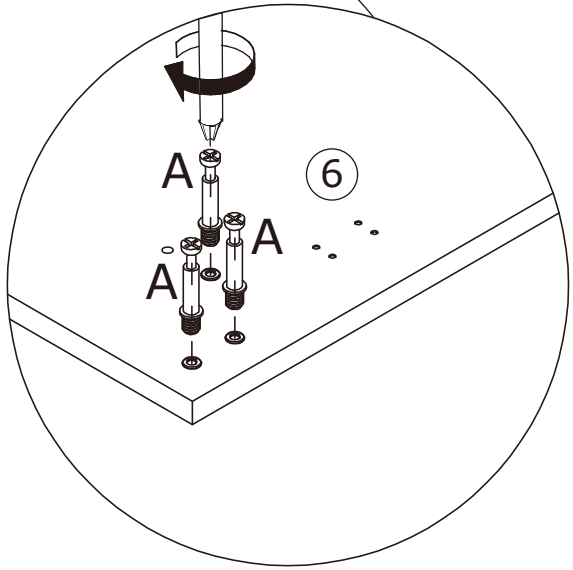
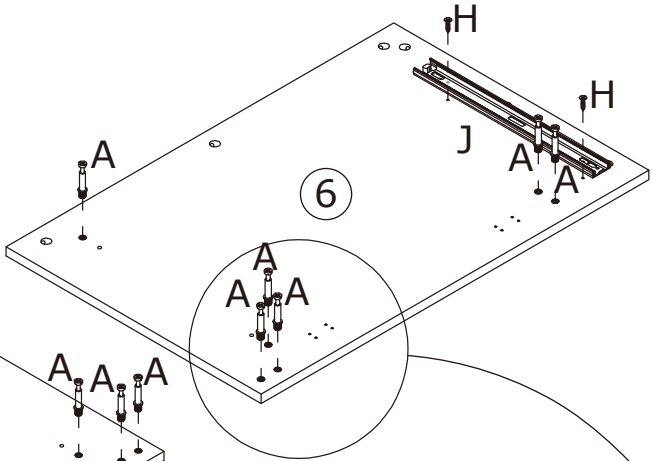
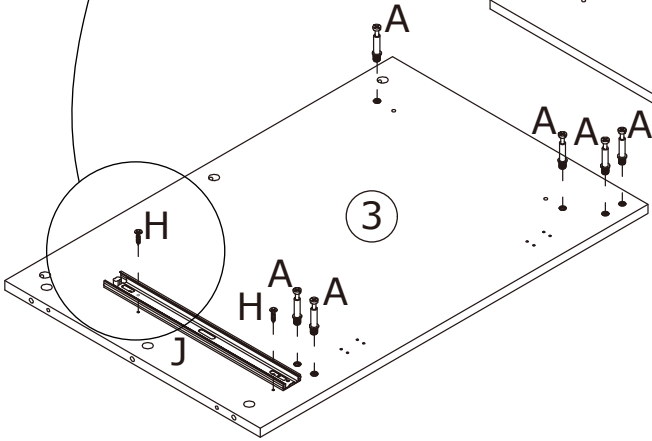
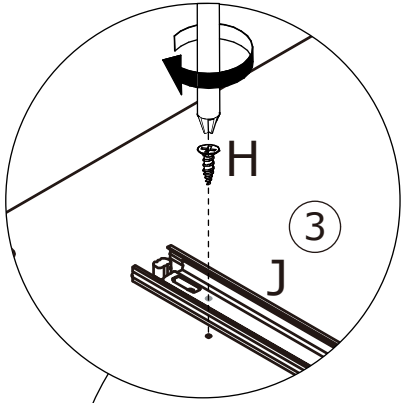
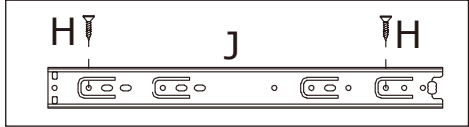
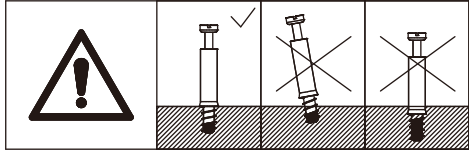
8

C x 12



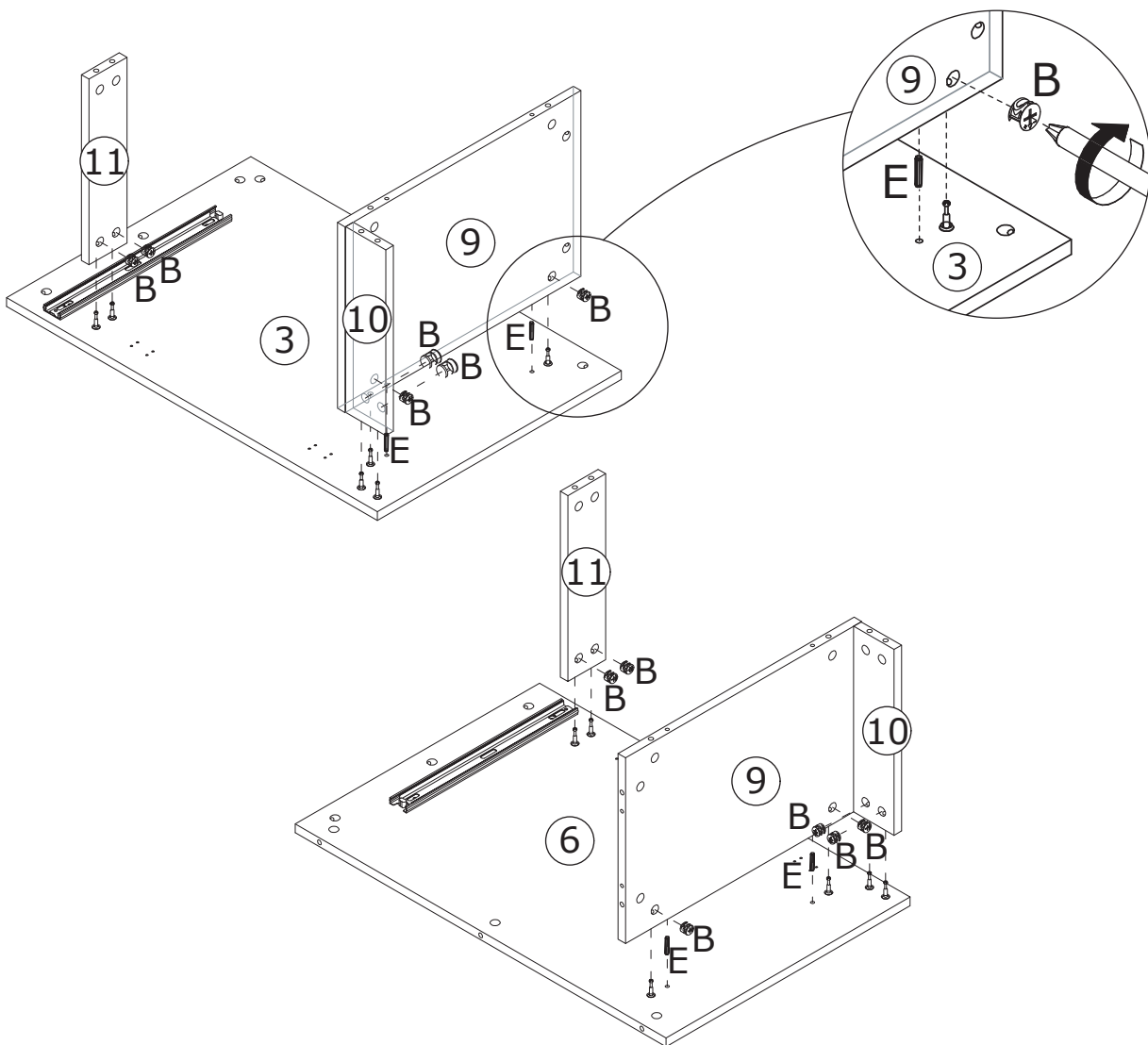
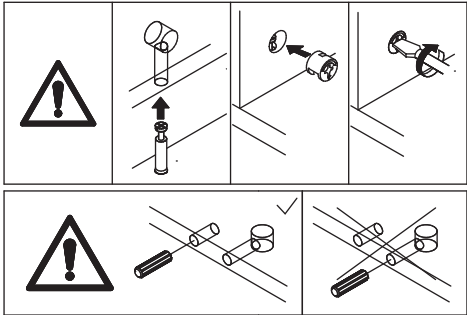
Press the embedded part (C) into panels 3 and 6.

9



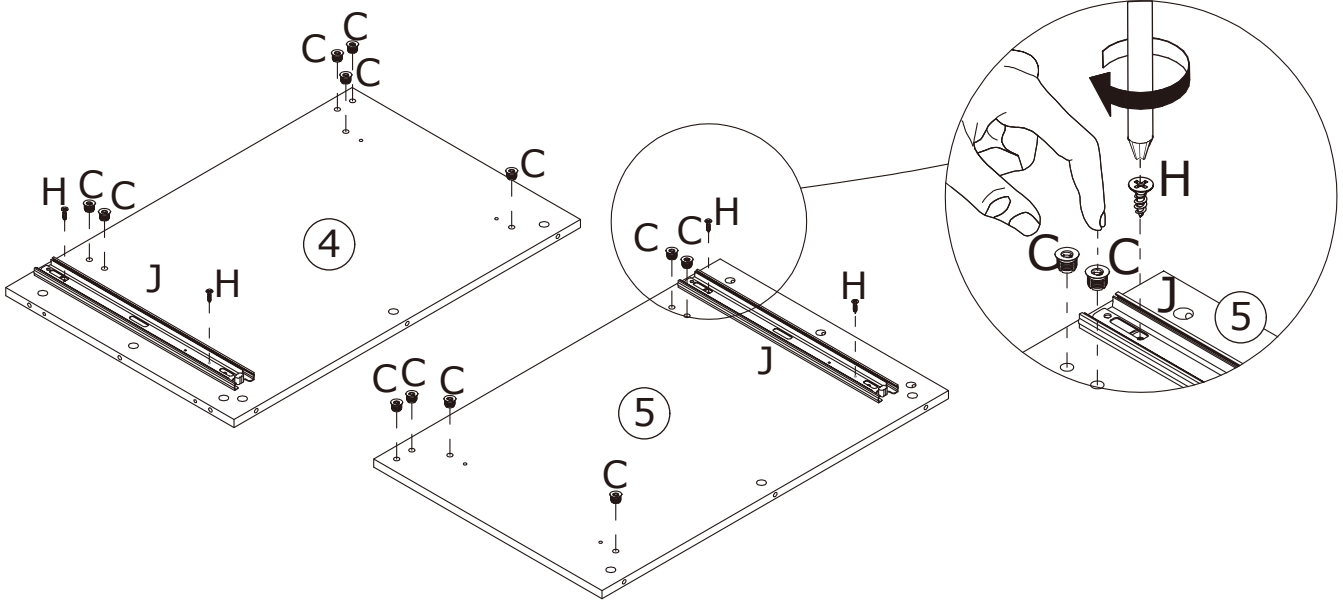
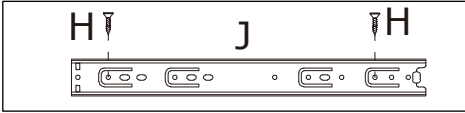
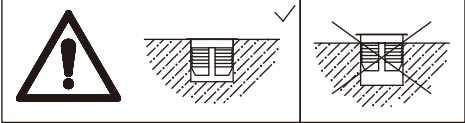
Secure screw (A) to panels 3 and 6.
Secure slide rail (J) to panels 3 and 6 using screw (H).

10



Connect panels 9, 10, and 11 to panels 3 and 6 respectively using wooden dowels (E), tighten the CAM locks (B) clockwise.

11

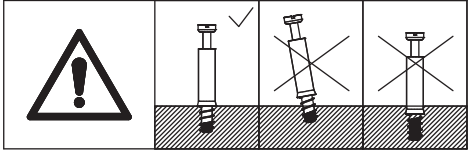
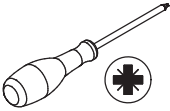


Press the embedded part (C) into panels 4 and 5.

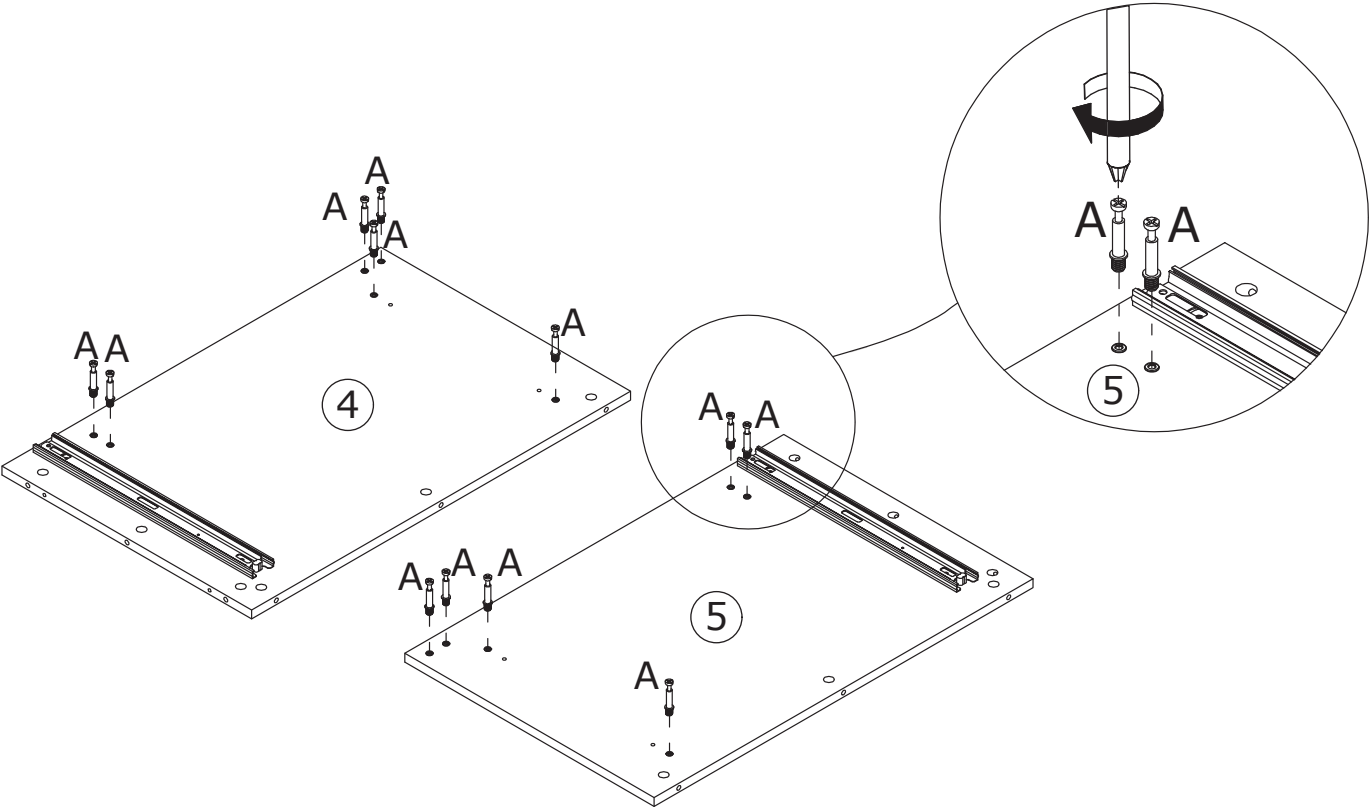
Secure slide rail (J) to panels 4 and 5 using screws (H).

12

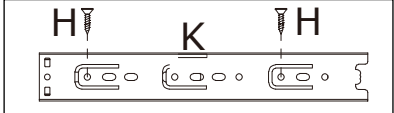
A x 12
CRA0635A



Secure screw (A) to panels 4 and 5.

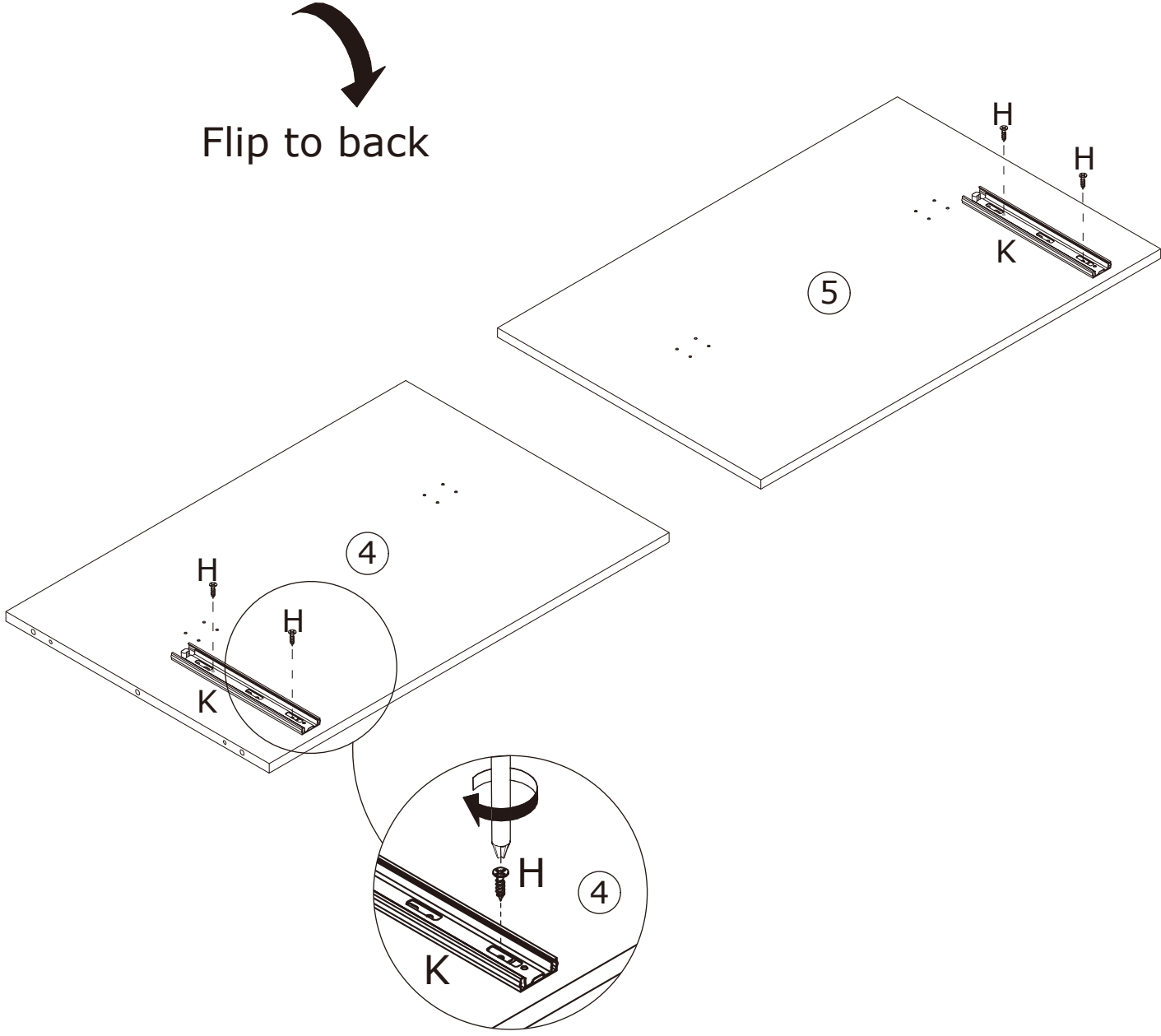


13

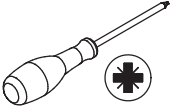
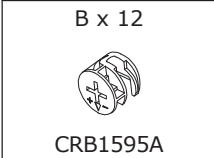


Secure slide rail (K) to **the other side** of panels 4 and 5 using screws (H).

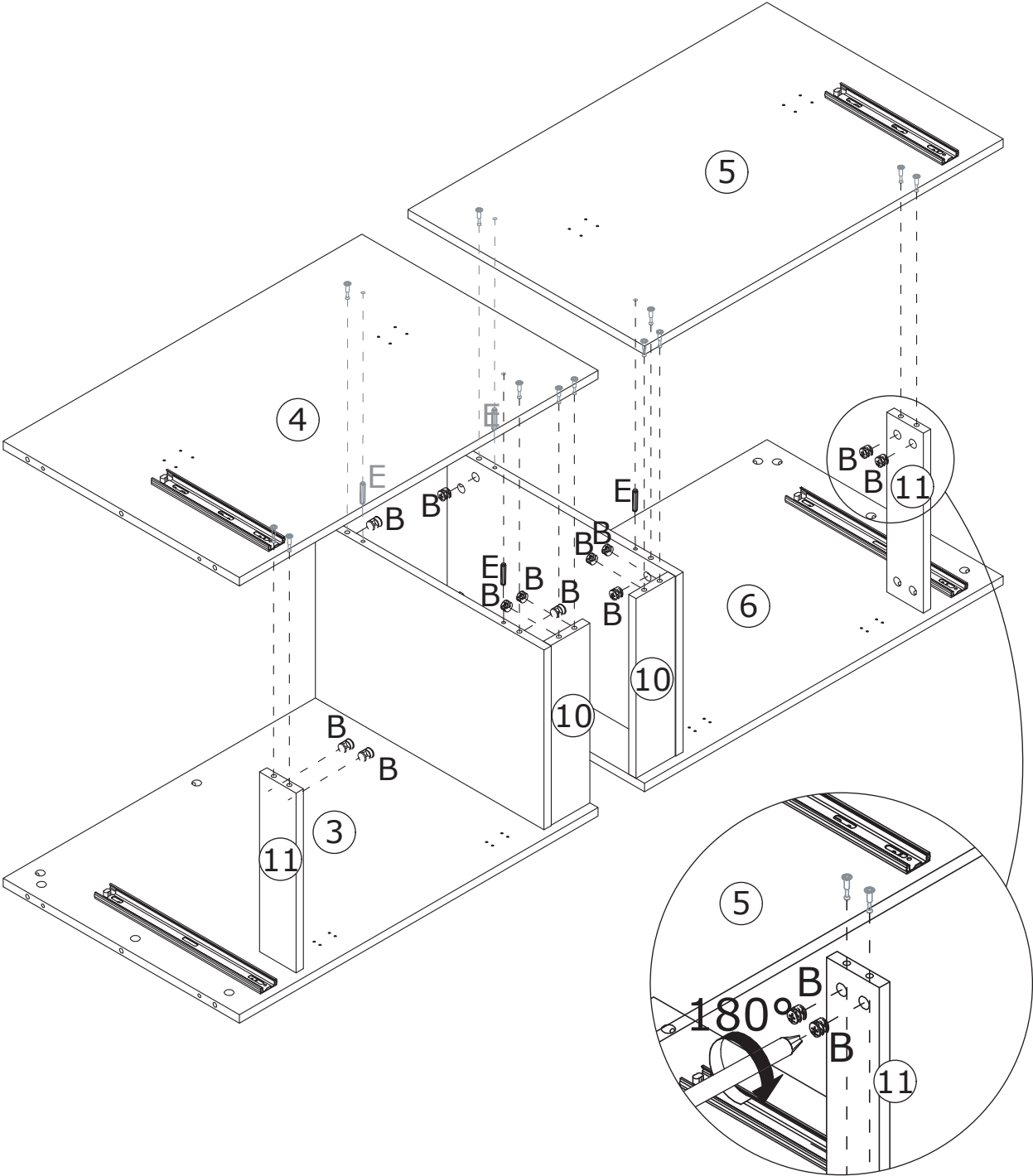
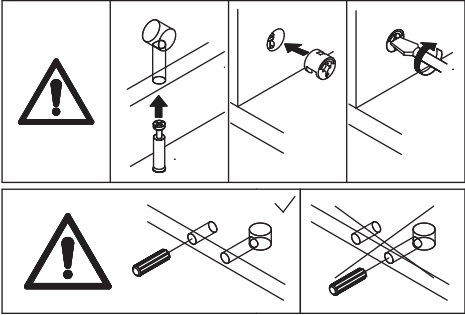
Flip to back



14

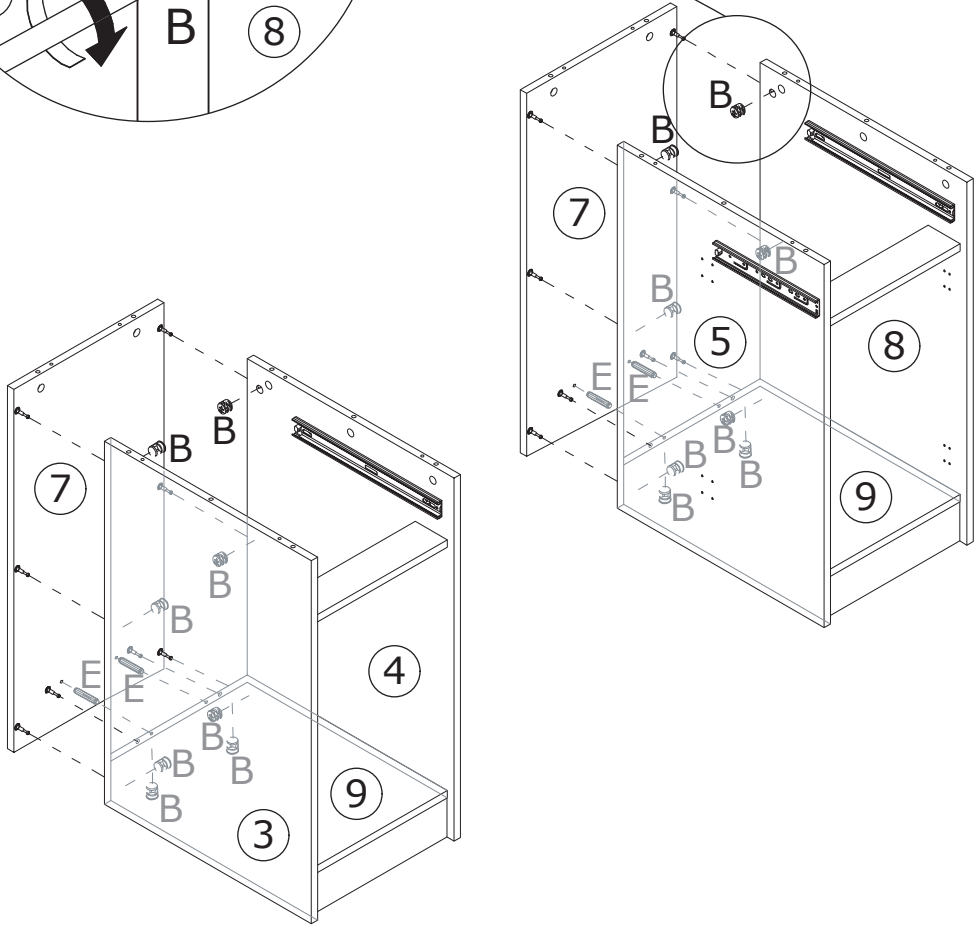
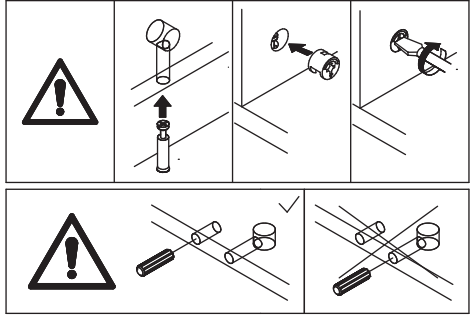
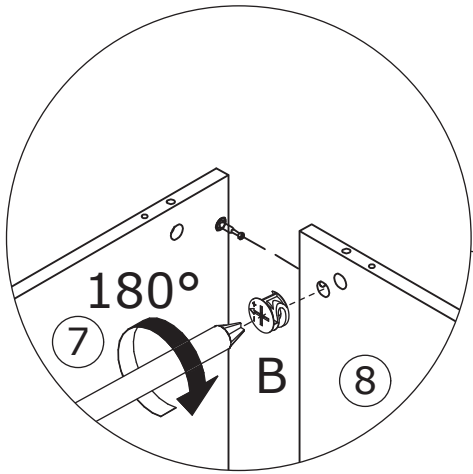


Connect panels 4 and 5 to panel 9, 10 and 11 using wooden dowels (E), tighten the CAM locks (B) clockwise.



15

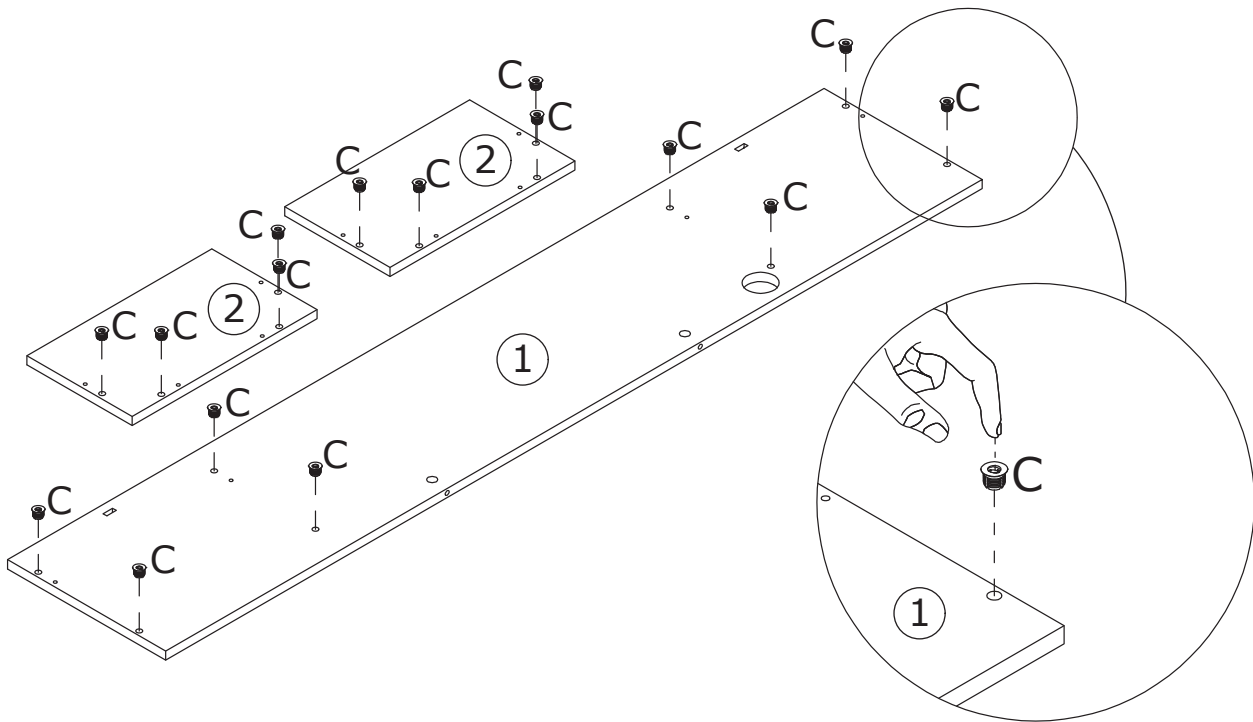
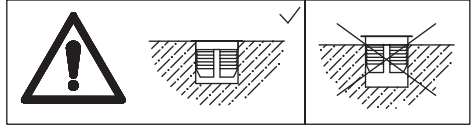
B x 16  CRB1595A	E x 4  CRF0630A	
---	--	---



Connect panel 7 to panels 3, 4, 5, 8 and 9 using wooden dowels (E), tighten the CAM locks (B) clockwise.

16

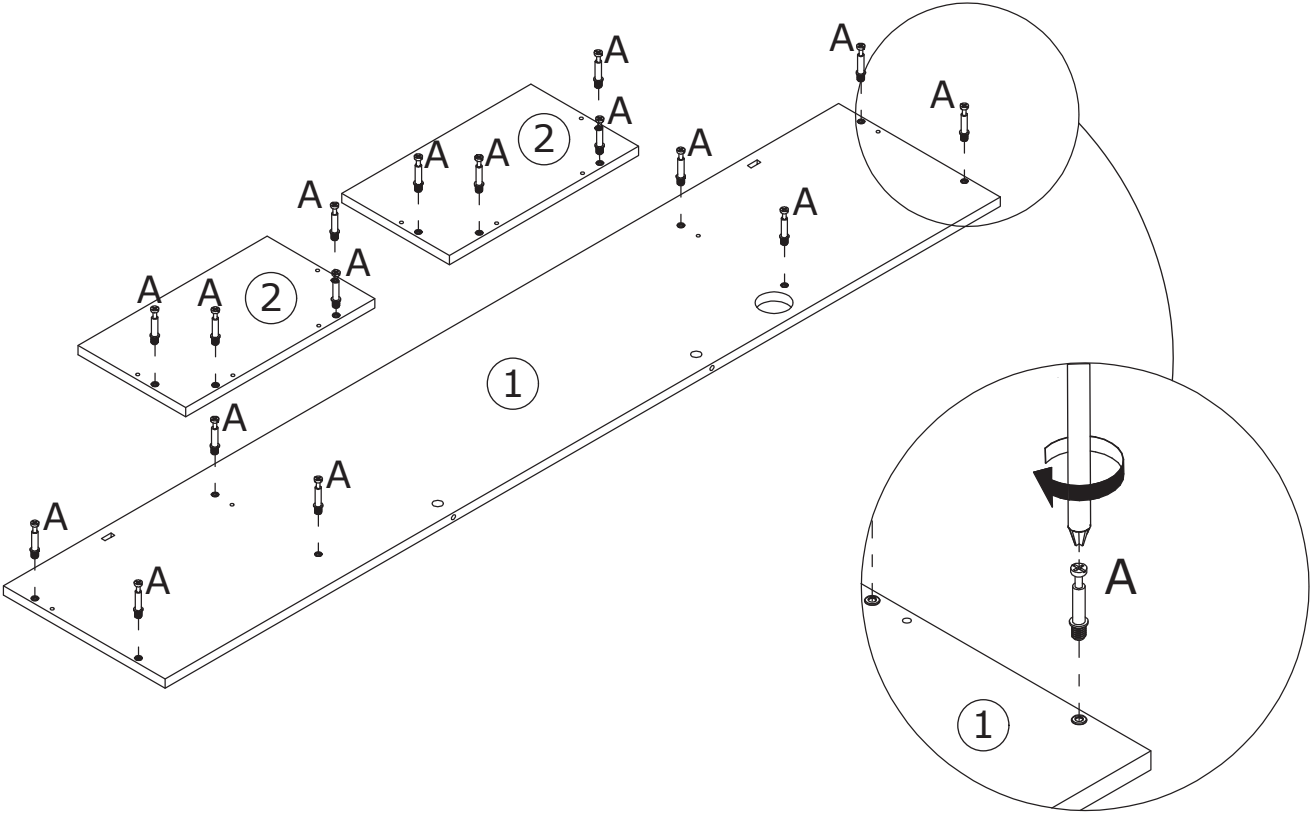
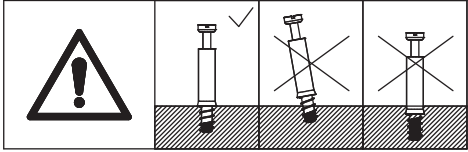
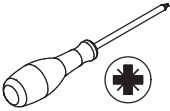
C x 16



Press embedded part (C) into panels 1 and 2.

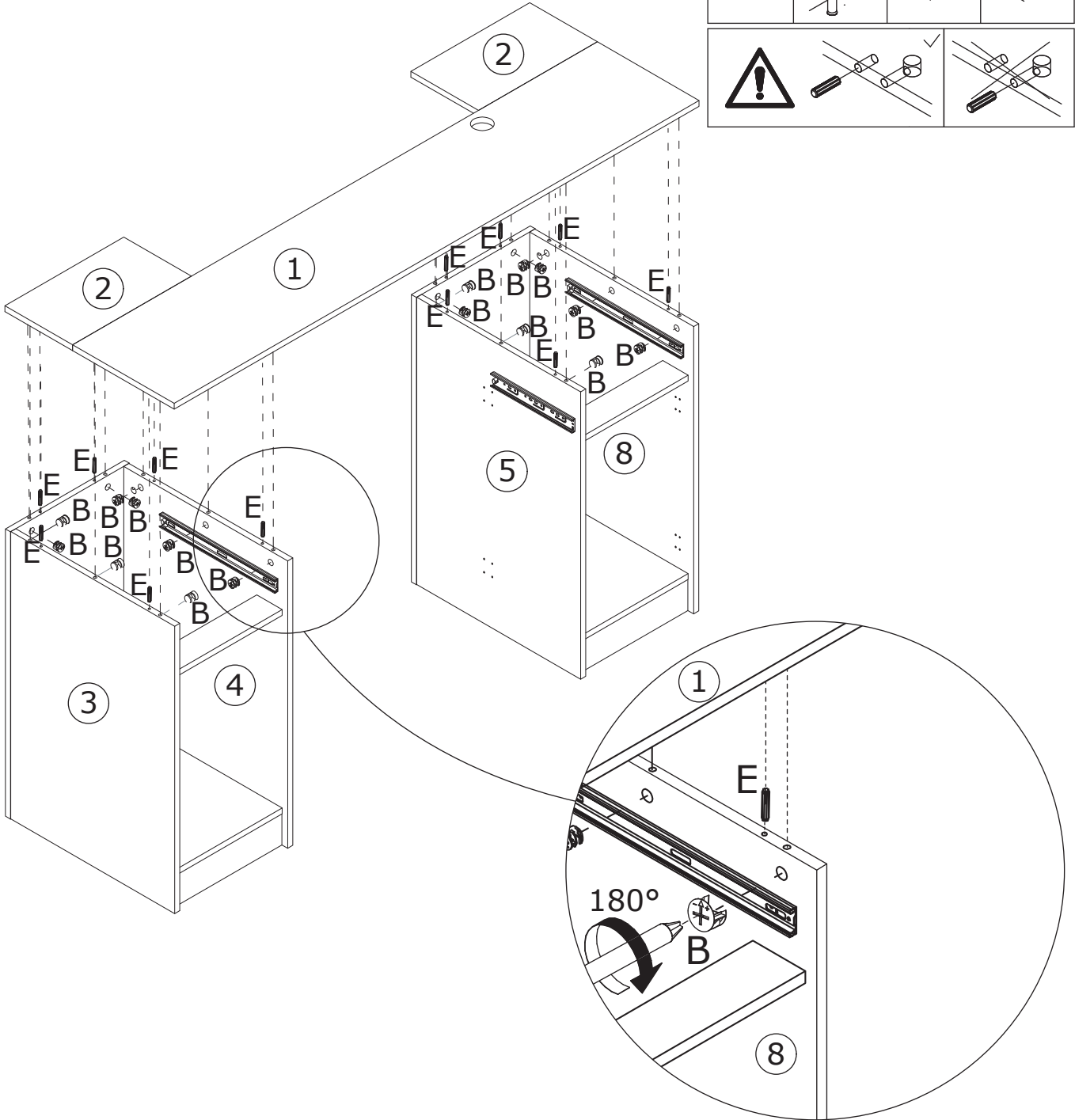
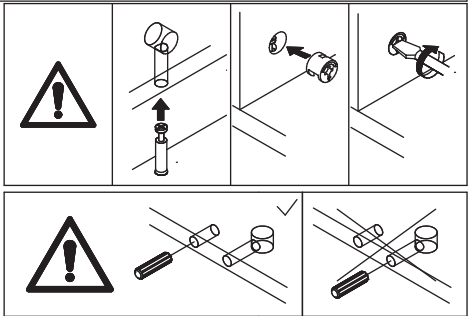
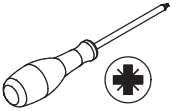
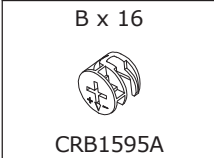
17

A x 16
CRA0635A



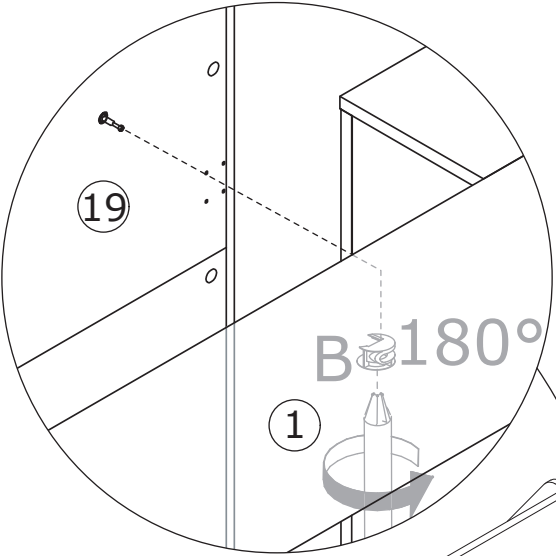
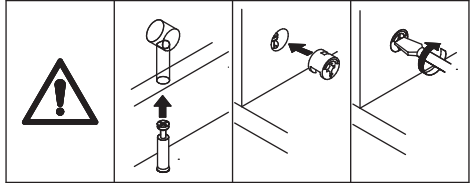
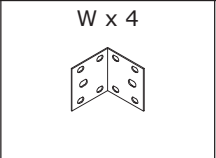
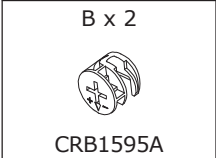
Secure screw (A) to panels 1 and 2.

18

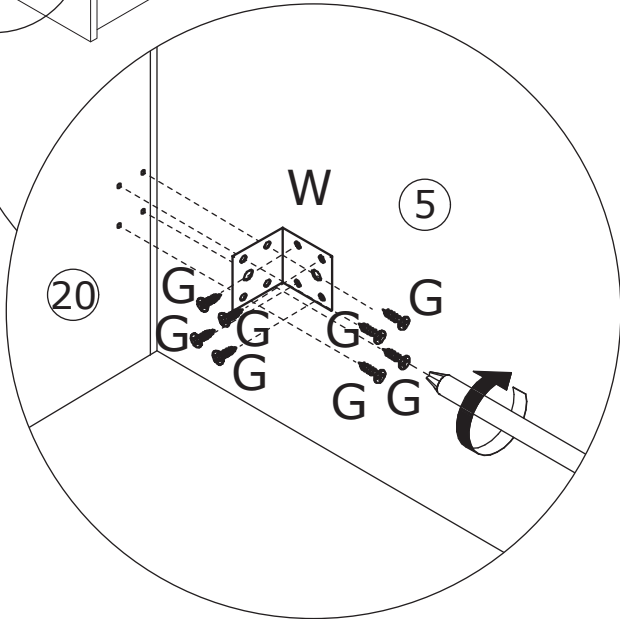
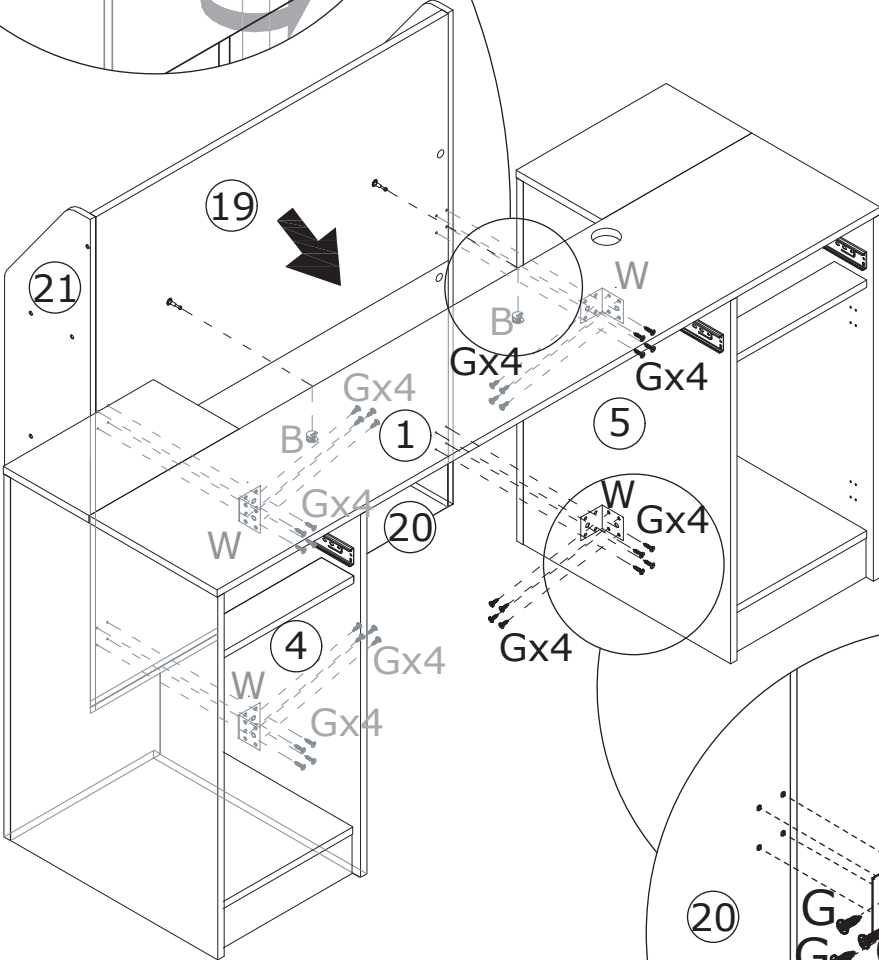


Connect panels 1 and 2 to panels 3, 4, 5, 8 and 7 using wooden dowels (E), tighten the CAM locks (B) clockwise.

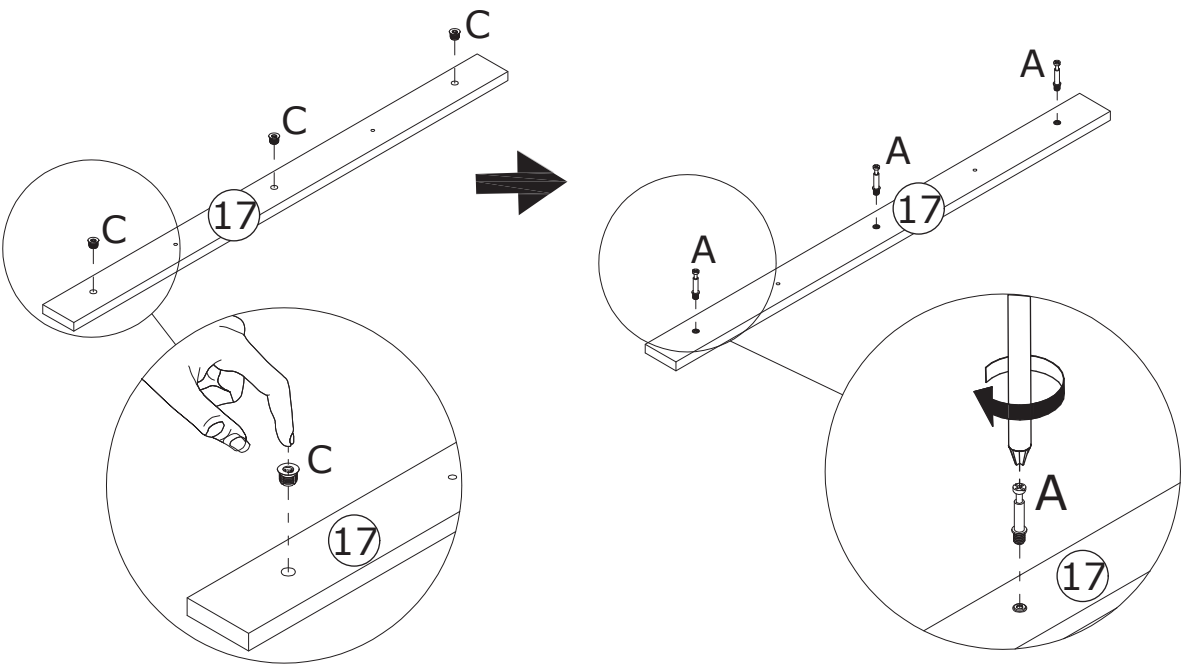
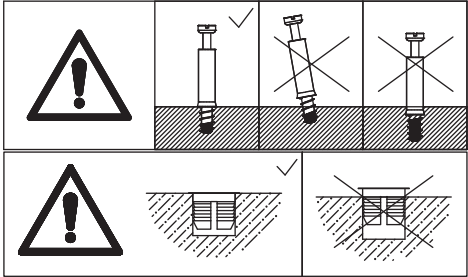
19



Secure panels 19 and 20 to panels 4 and 5 using self-tapping screws (G) and part (W). Tighten the CAM locks (B) clockwise.


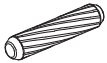


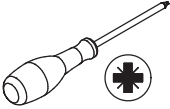


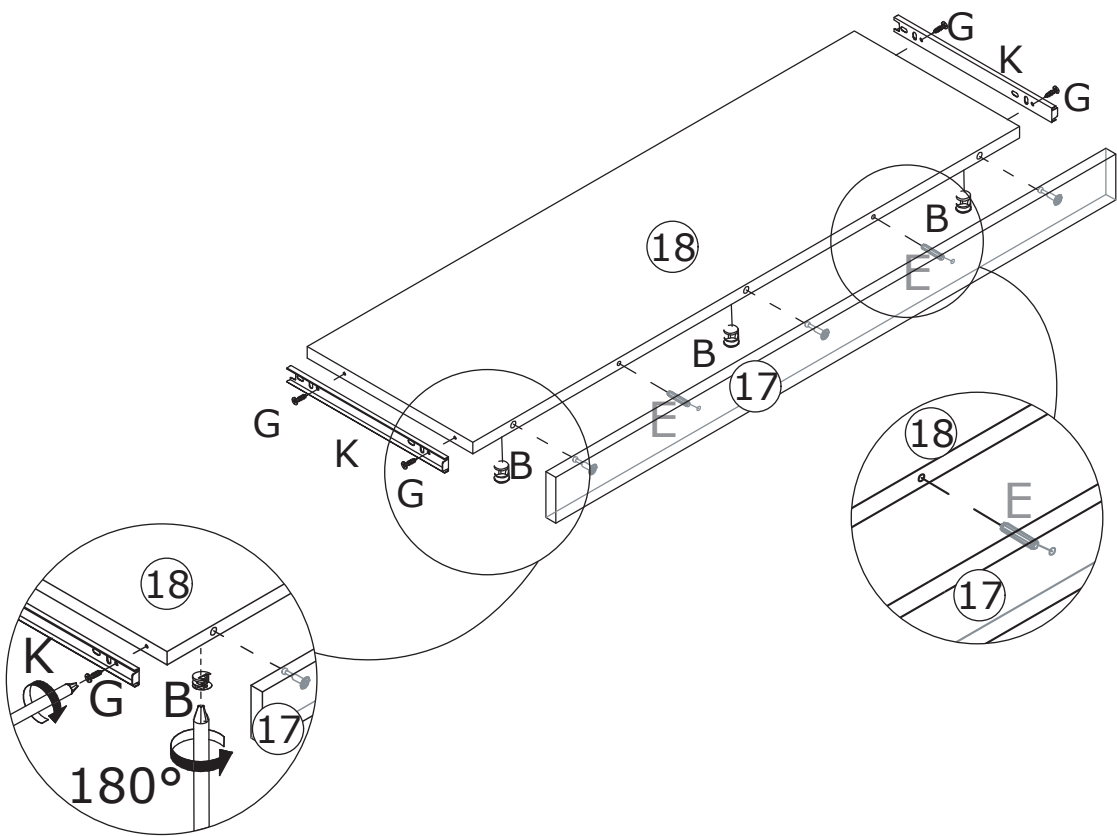
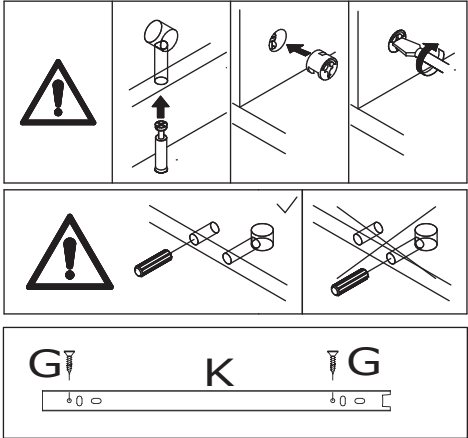
20



Press the embedded part (C) into panel 17 and secure screw (A) into.

21

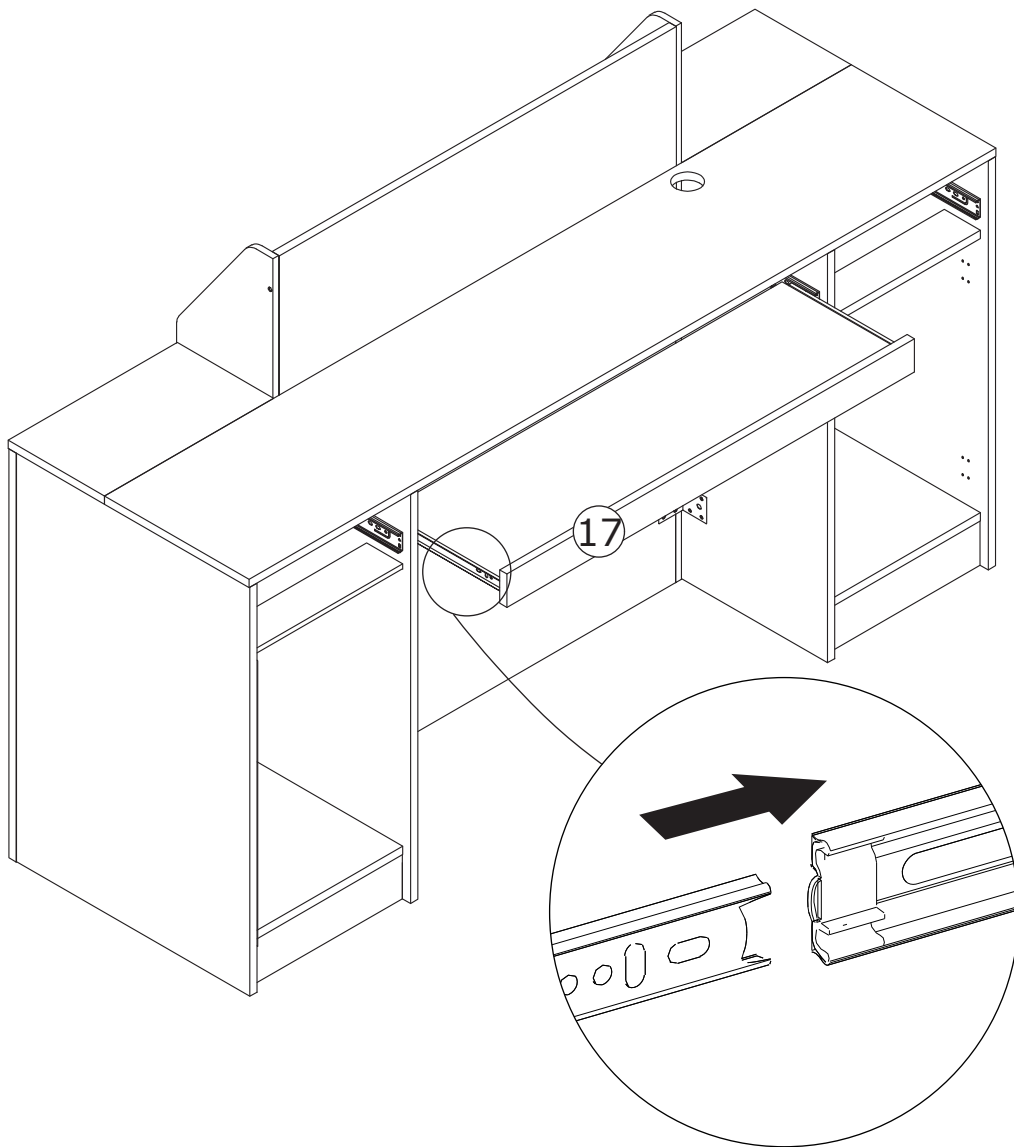
B x 3  CRB1595A	E x 2  CRF0630A	G x 4  CRD3512A	K x 2  #3508"10	
--	--	--	---	---



Connect panel 17 to panel 18 using wooden dowels (E), tighten the CAM locks (B) clockwise.
Secure slide rail (J) to panel 18 using screws (G).

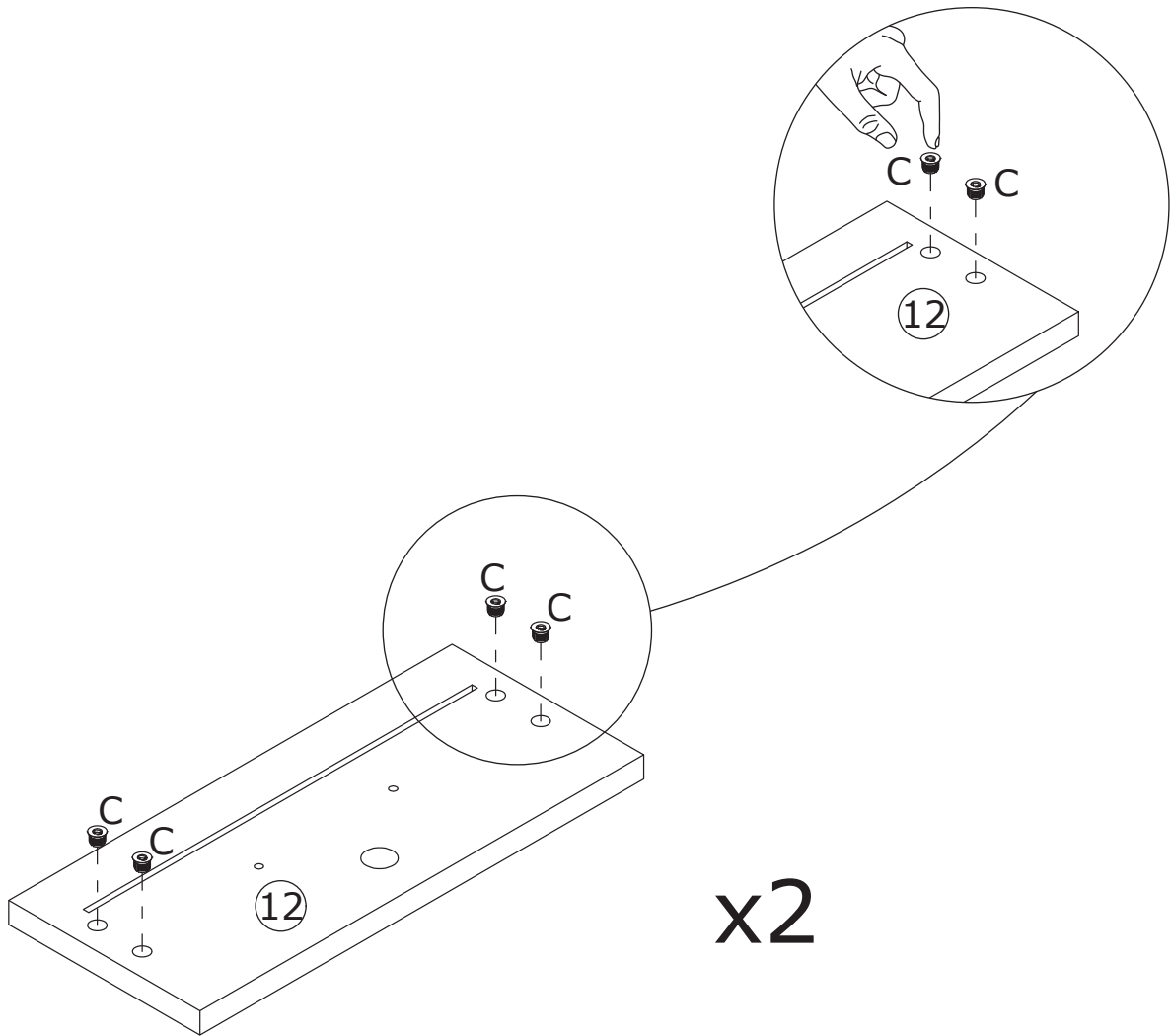
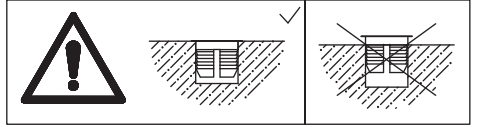
22

Align the slide rails and install them into the drawer.



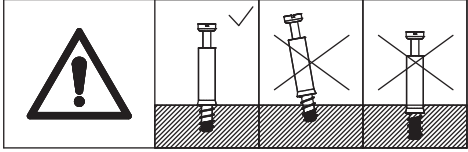
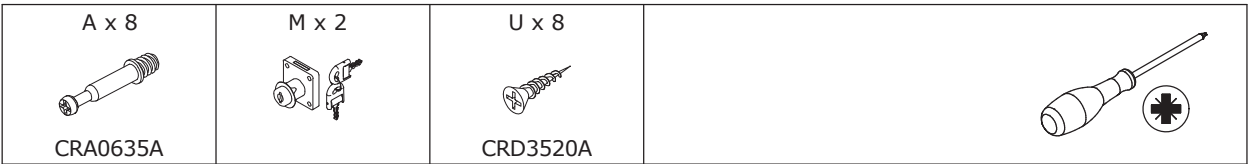
23

C x 8

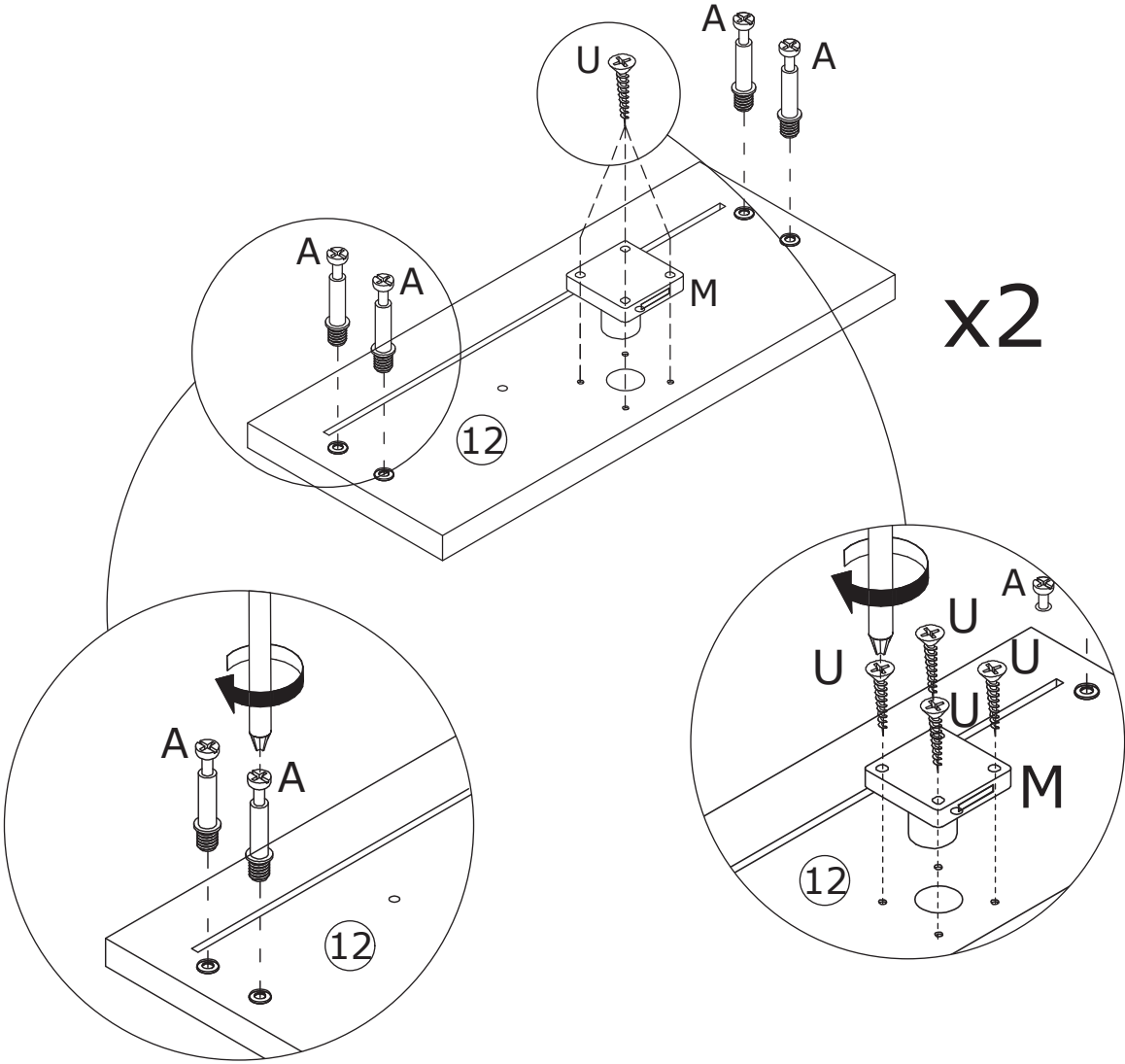


Press the embedded part (C) into panel 12.

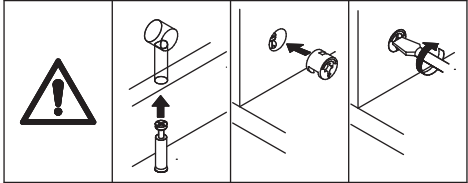
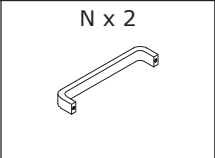
24



Install the fitting (M) to panel 12 using screw (U).
Secure screw (A) into panel 12.



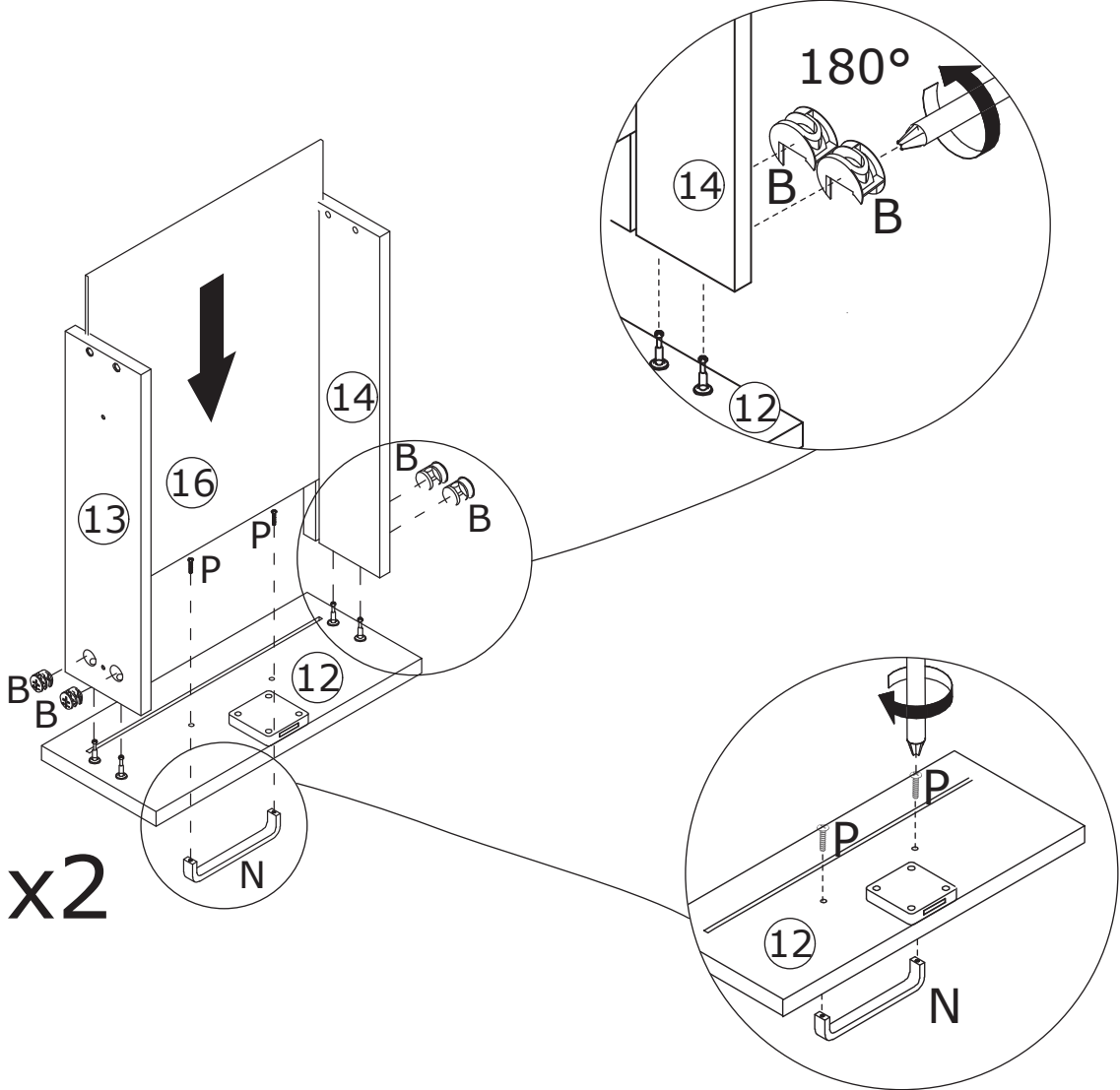
25



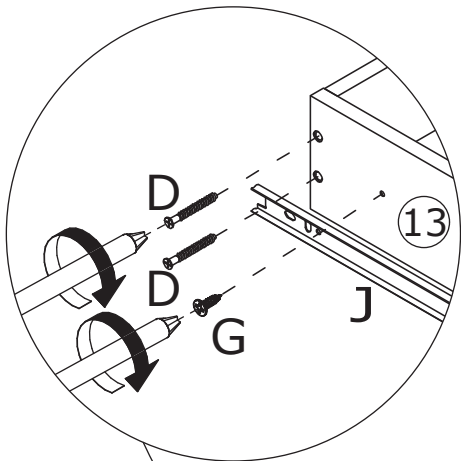
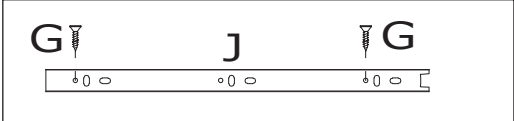
Connect panels 13 and 14 to panel 12, then tighten the CAM locks (B) clockwise.

Insert panel 16 along the available slots.

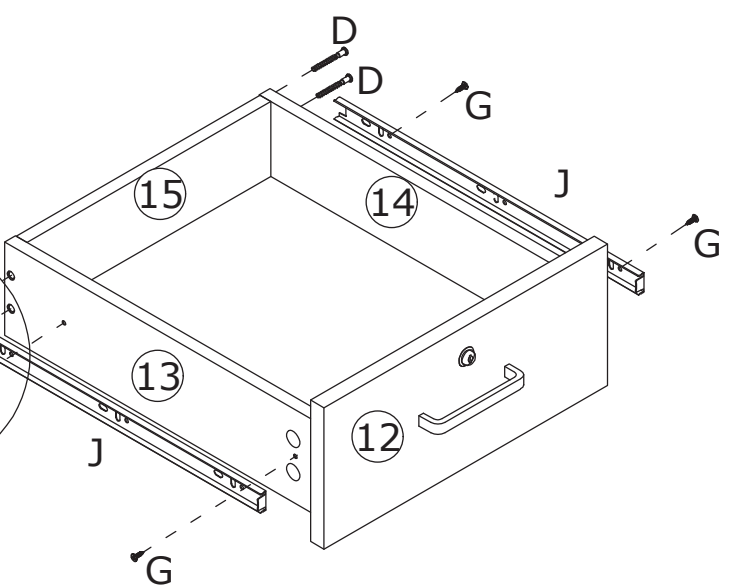
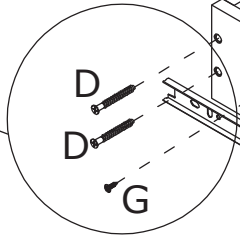
Secure handle (N) to panel 12 using screws (P).



26



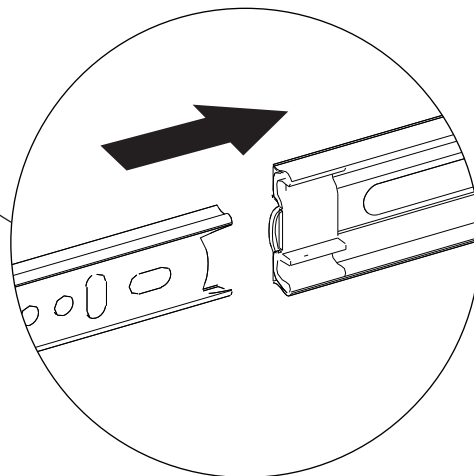
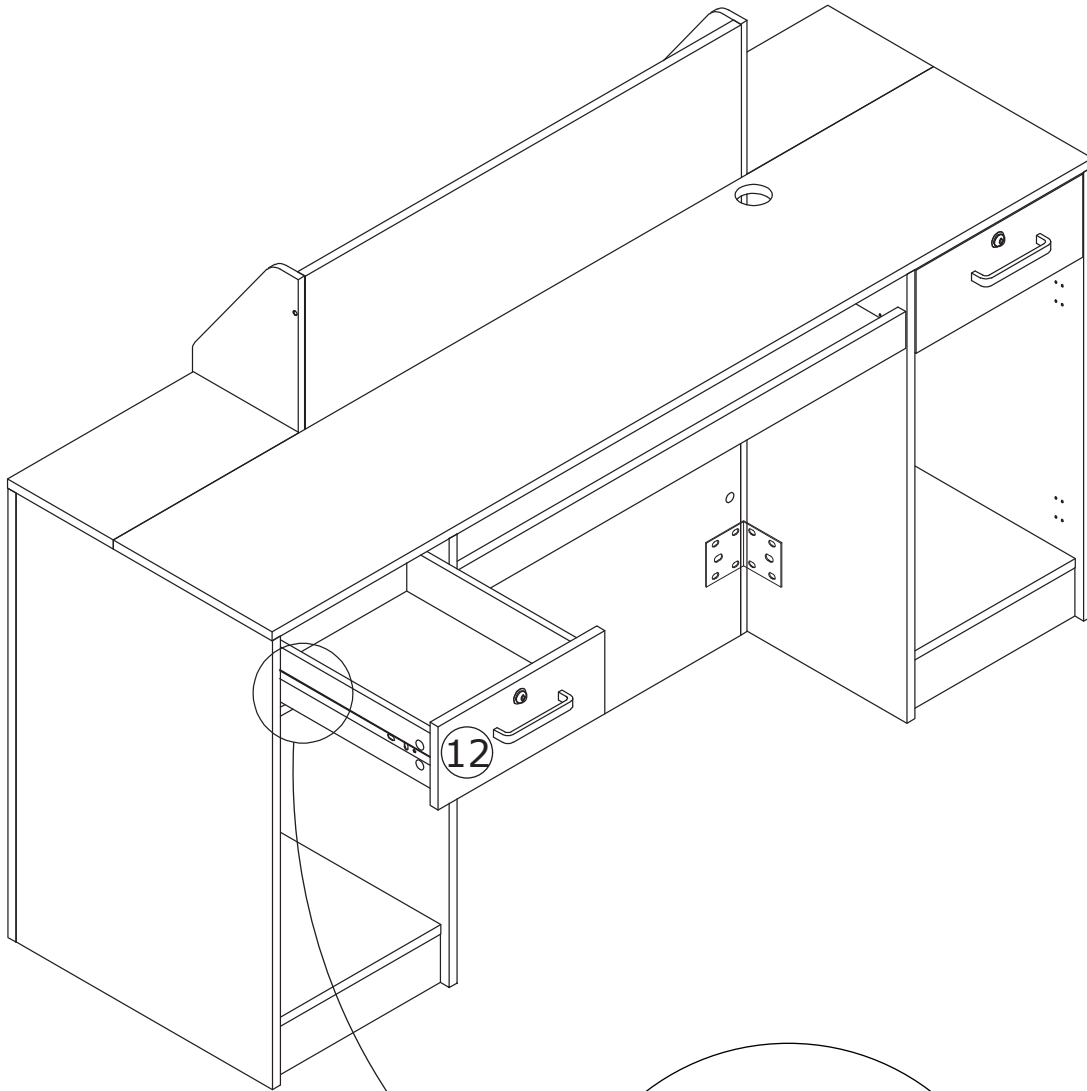
x2




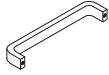


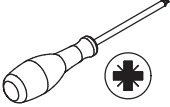
Connect panels 13 and 14 to panel 15 using screws (D).
Secure slide rail (J) to panels 12 and 13 using screws (G).

27

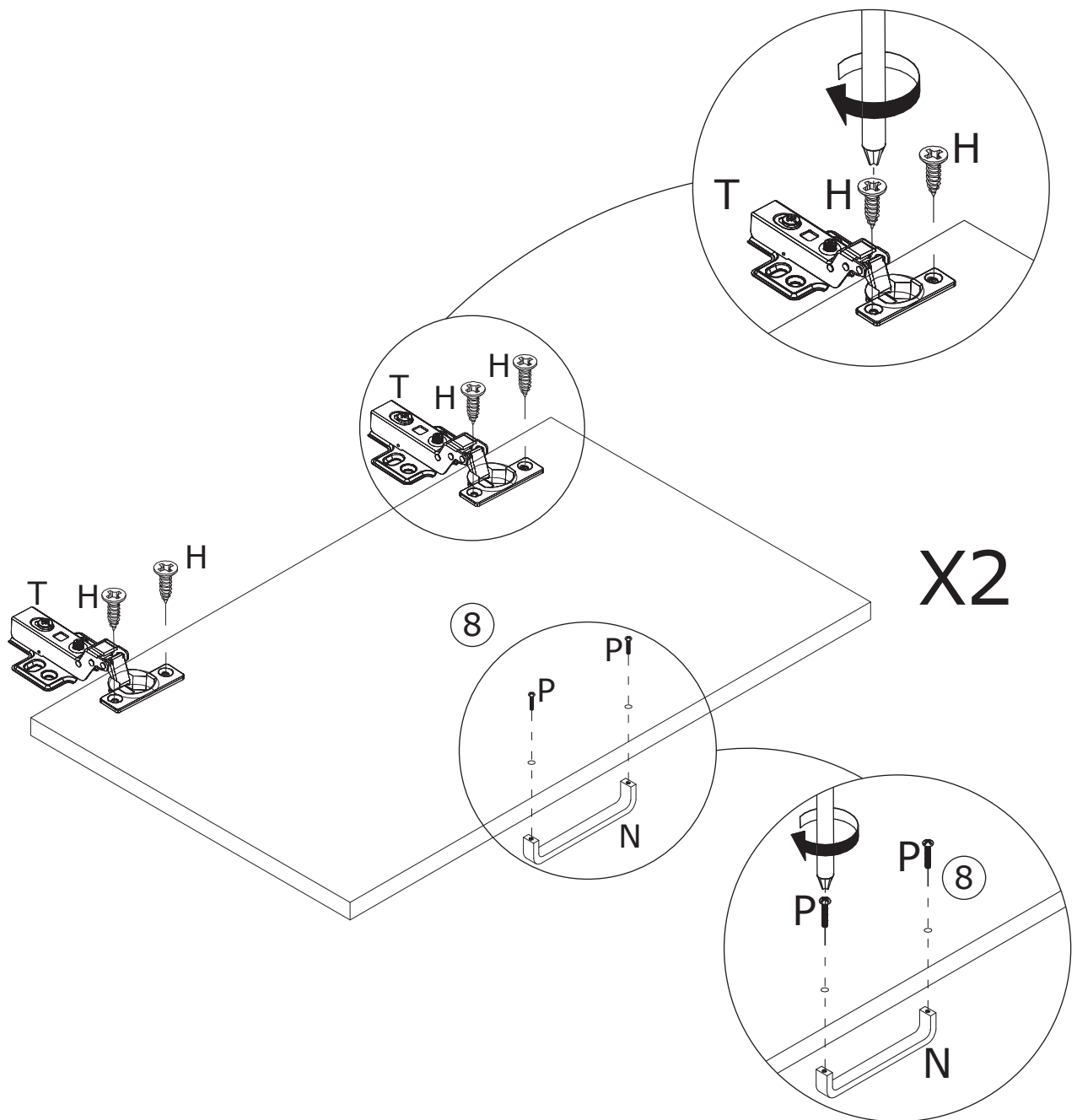
As shown in the figure, align the slide rails and install them into the drawer.



28

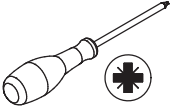
H x 8  CRD3514A	N x 2 	P x 4  CRE0518A	T x 4  DGA861C	
--	--	--	--	---

Secure hinge (T) to panel 8 using screw (H).
Secure handle (N) using screw (P).

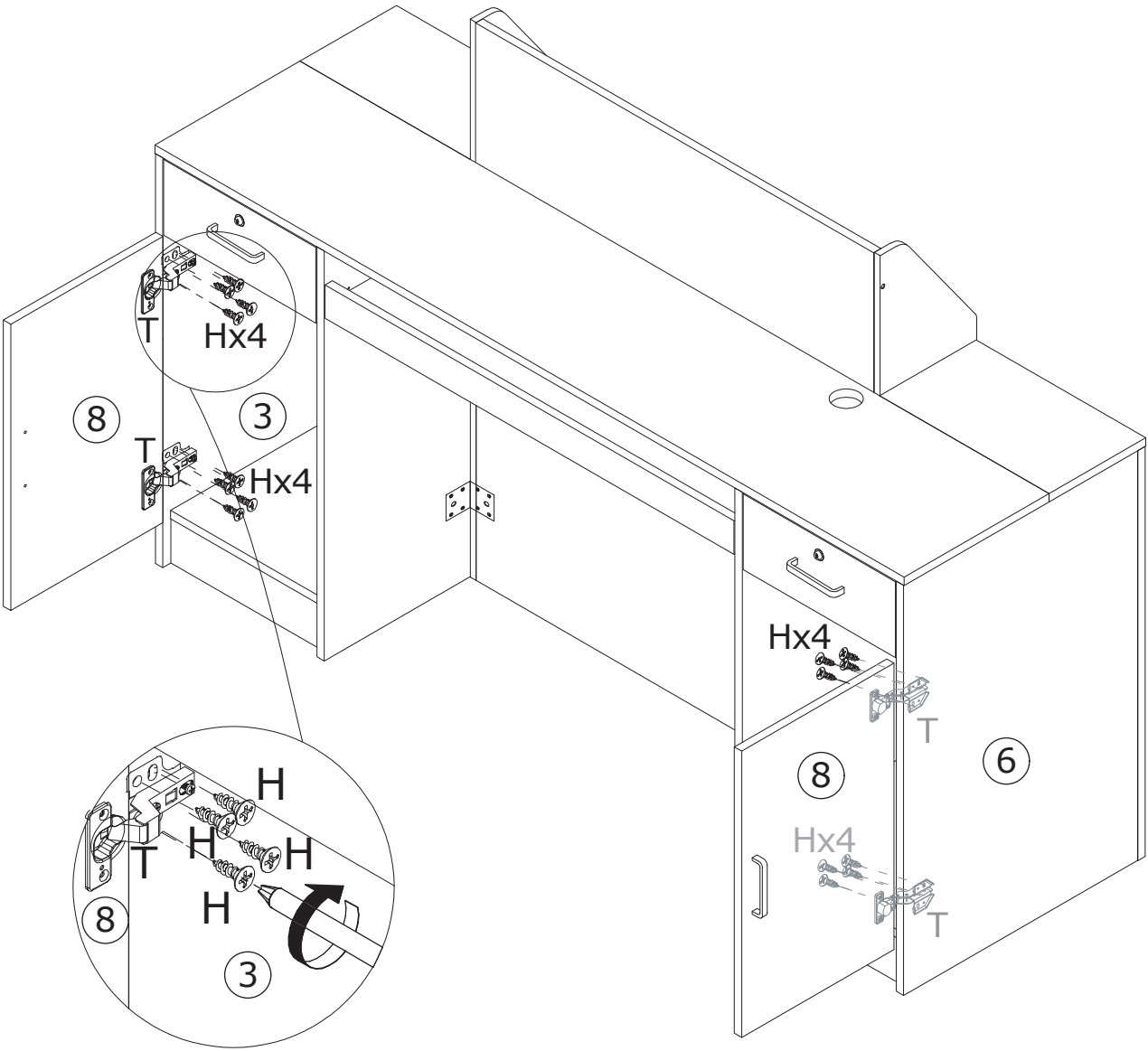


29



H x 16
CRD3514A



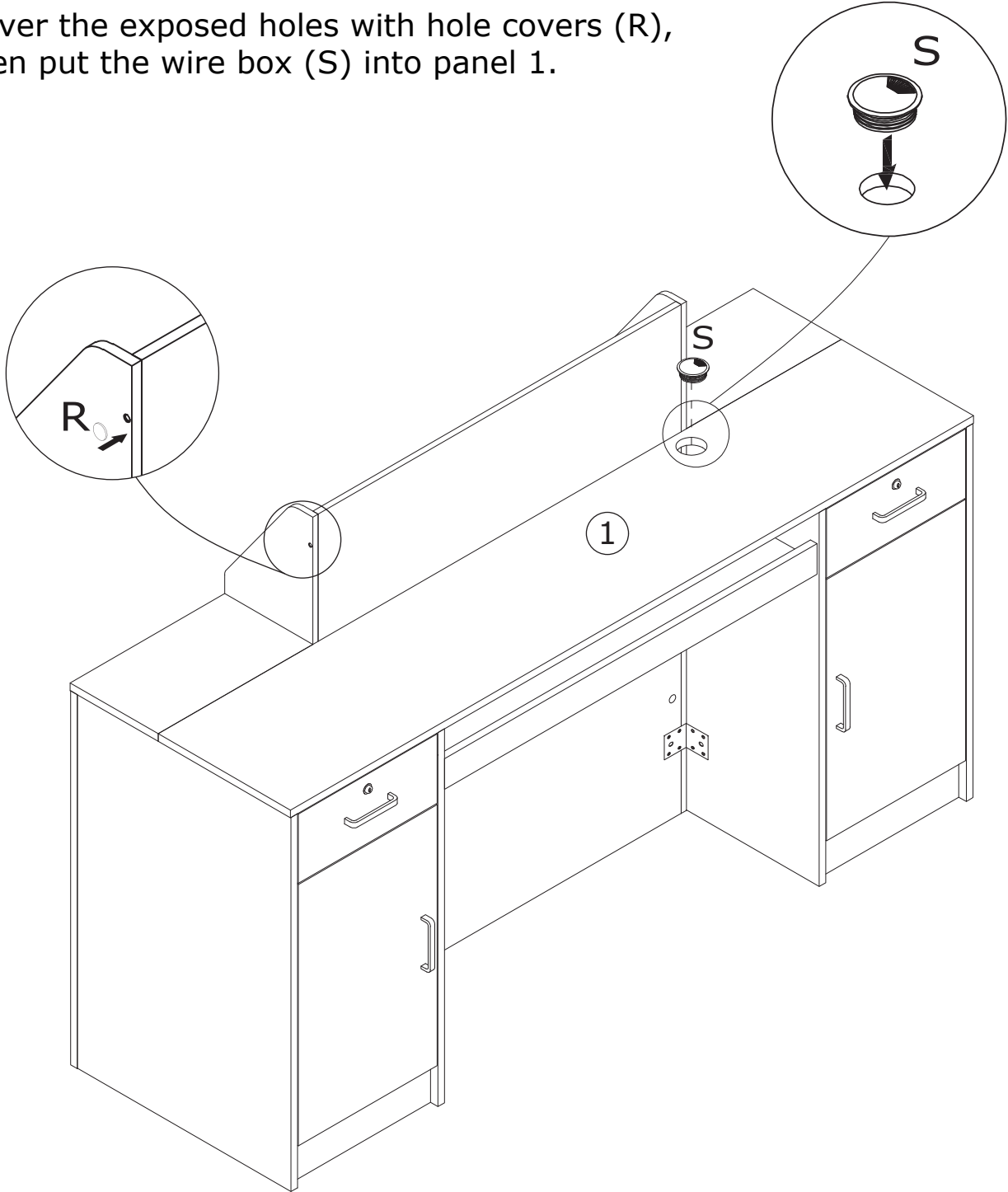
Secure panel 8 to panels 3 and 6 using screws (H) and hinges (T).

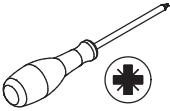


30

R x 6 	S x 1  Ø60 mm	
--	--	--

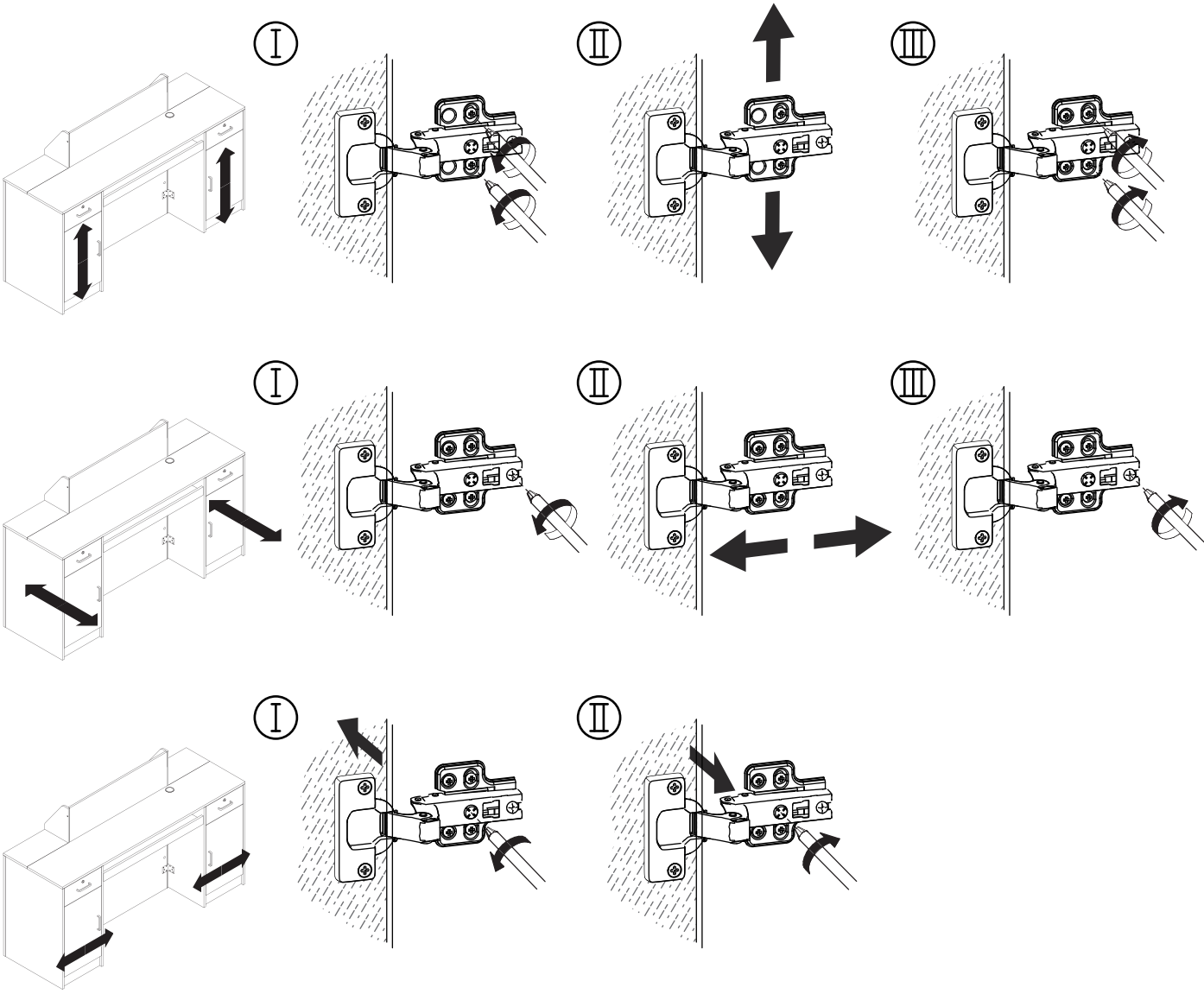
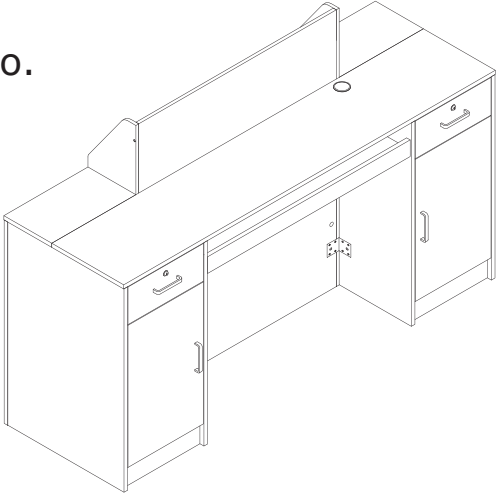
Cover the exposed holes with hole covers (R), then put the wire box (S) into panel 1.





If doors are still not aligned if the hinges are properly installed, please watch the video.

<https://youtu.be/n0Lb36SoODM>



WARRANTY

WARRANTY CLAIMS

- There is a 30-day warranty for broken furniture or any other problems that do not work properly. The warranty will start from the date of purchase which must be verified by proof of purchase.
- Before making a claim, we may be able to answer your query, simply call us. Please leave your purchase order number, along with some details of the problem, if you want a replacement part. We will arrange within 48 hours. If there is out of stock, we will reply with a shipping date.
- The product must be used in accordance with the instructions provided. For health reasons.
- For other reasons, if the furniture needs to be returned, it must be cleaned and dried and operated within 30 days of receipt.

Type of Warranty Claim

- Failure to follow the furniture instructions will invalidate the warranty. Attention please.
- Does not include damage during installation, but includes damage during transportation.

Scope of responsibility

- Shall not bear any responsibility for misuse or user damage and / or loss of parts during the installation of furniture.
- After using, the damage and scratches of the furniture are not covered by the warranty.

The Warranty Relates to All Bought in The Us and Covers The Following Areas

- Sheet parts: 1 month from the date of purchase.
- Electrical parts: 1 month from the date of purchase.

RETURNS

CHANGED YOUR MIND AND NEED TO RETURN YOU ITEM?

PLEASE FOLLOW THE BELOW INSTRUCTIONS:

- If you have purchased and have simply changed your mind, follow the retailer's instructions for returns.

DEFECTIVE ITEMS

- If your item is defective in any way, i.e. it doesn't work but you can't identify why, in the first instance, please call us.

DAMAGED ITEMS

- If you receive an order with obvious shipping damage from the retailer, then we suggest the delivery is refused. If the delivery has been accepted and then shipping damage is found, please follow the specific instructions advised by the retailer.
In all circumstances please save all packaging material and paperwork for the order. Please be aware that if you dispose of packaging material or attempt to return the merchandise without contacting the fulfiller, you jeopardise your chances of making a claim, and you may not receive a credit for the return.

AFTER-SALES CONTACT



adelahu@fufugaga.com



208-820-0068