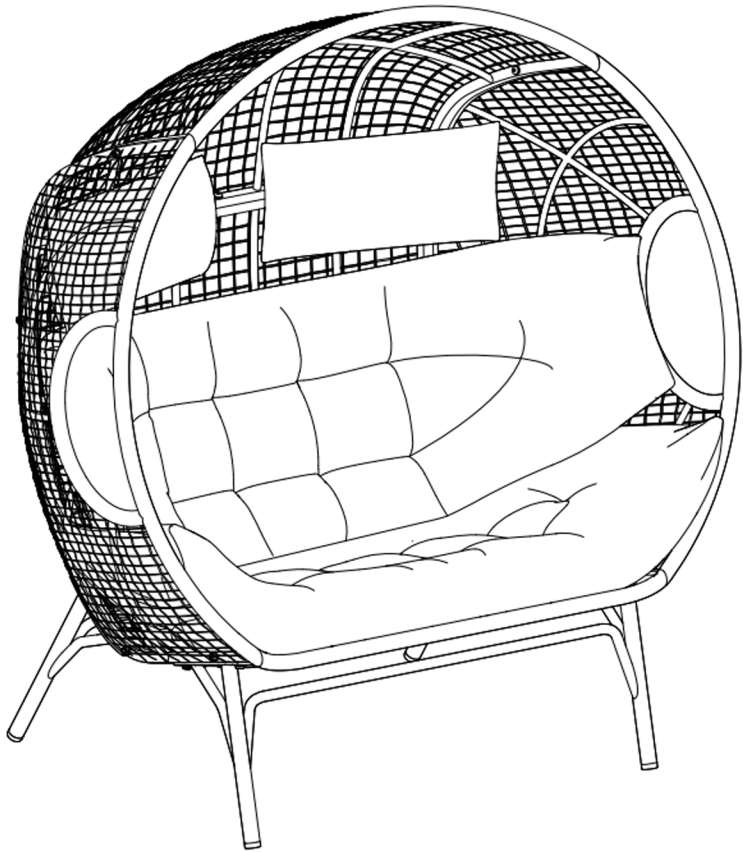


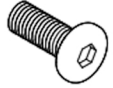
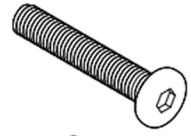
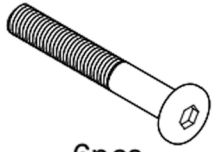


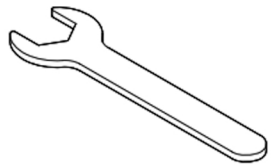
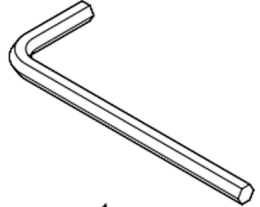
Double Egg Chair Installation Manual

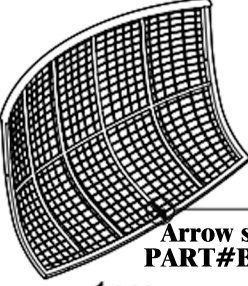
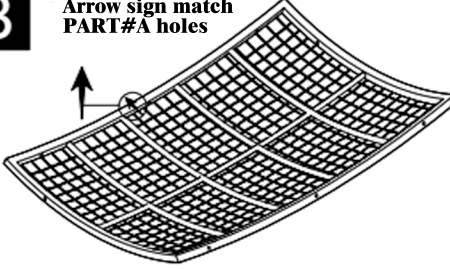
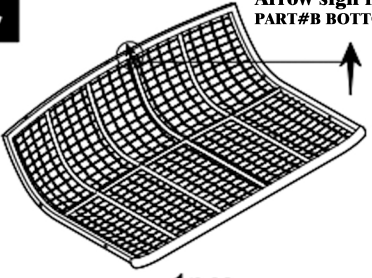
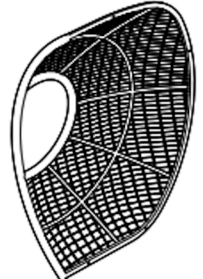
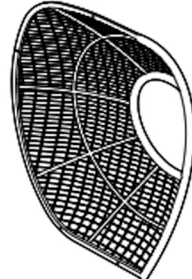
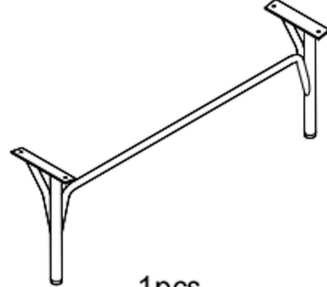
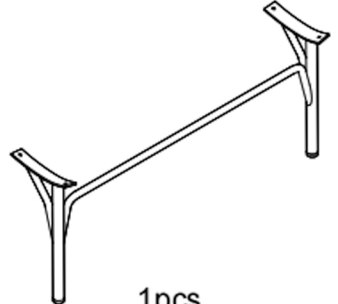

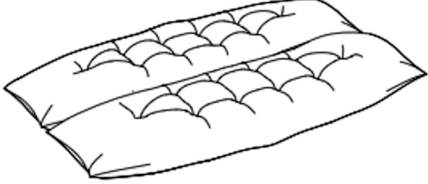
PLEASE READ BEFORE INSTALLATION



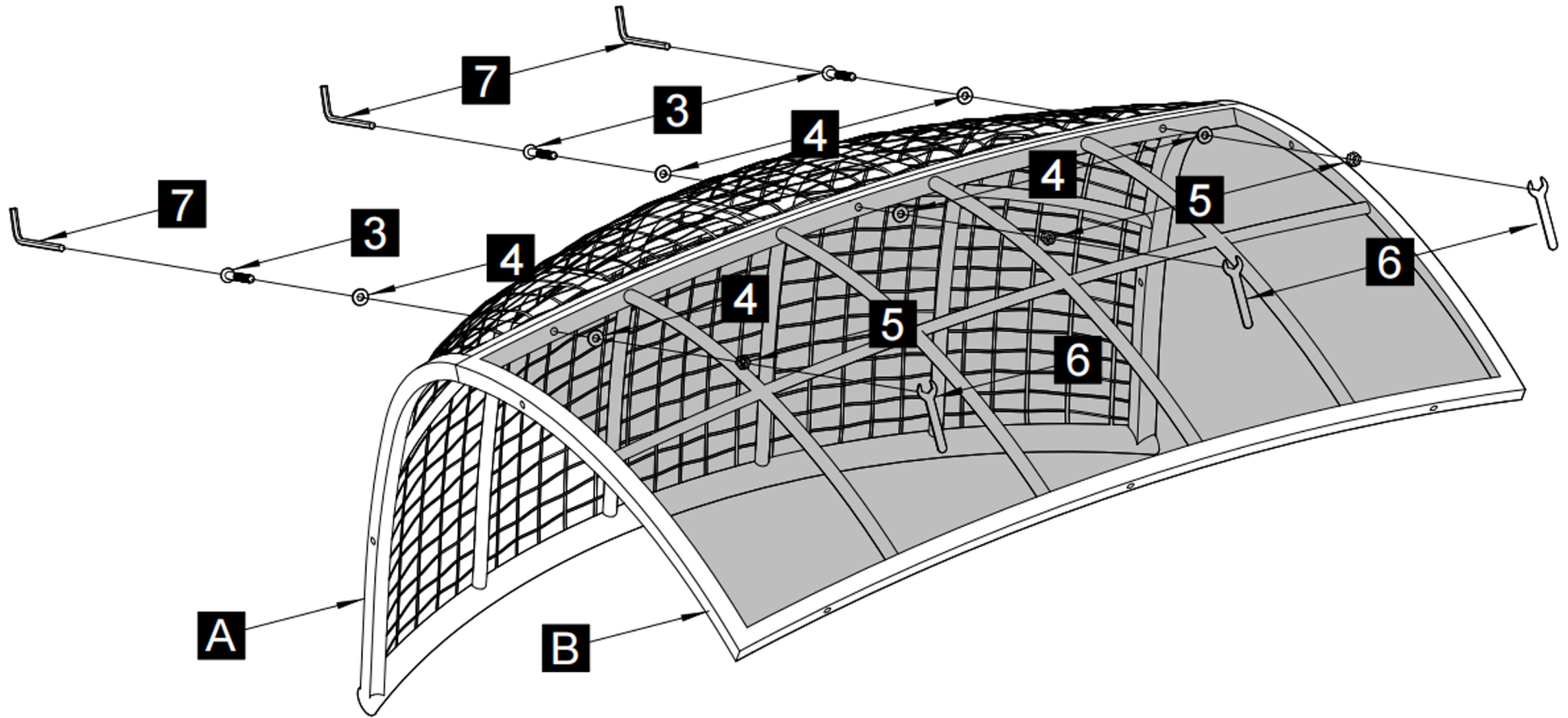
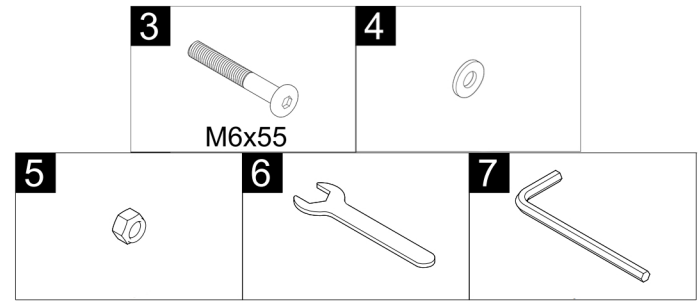
- At least 2 adults Requires
- Please make sure you have all parts and are not damaged before installation
- Do not tighten the screws until all screw holes are aligned.
- If you have any difficulties with installation please contact

jm@nicesoulfurniture.com

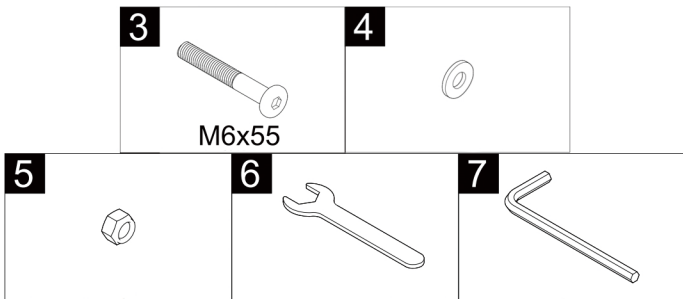
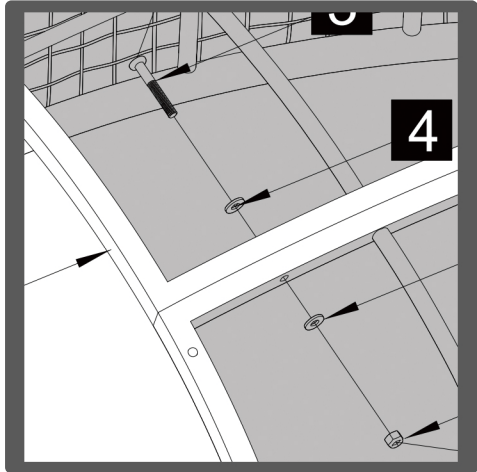
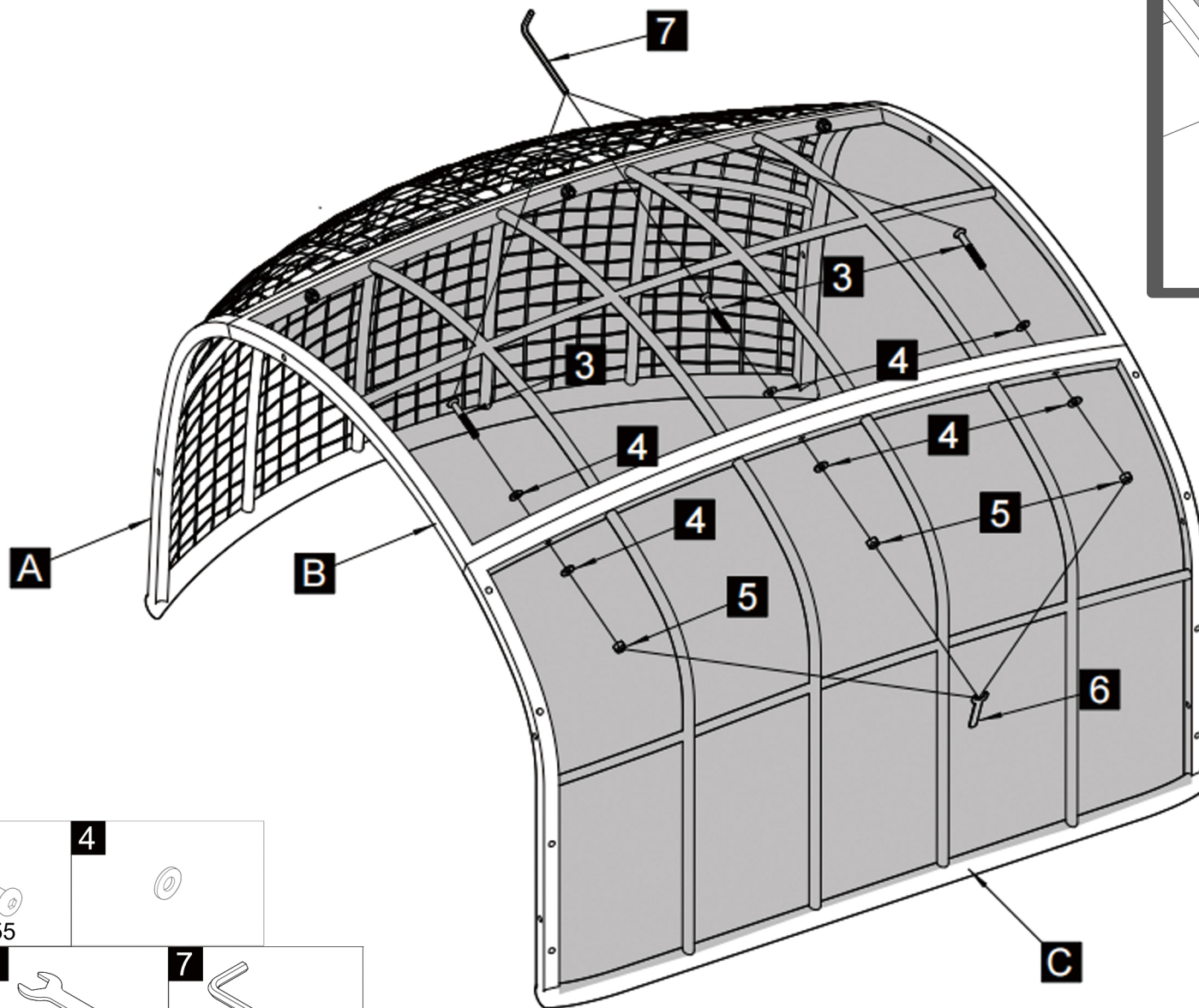
<p>1</p>  <p>8pcs M6x18</p>	<p>2</p>  <p>8pcs M6x45</p>	<p>3</p>  <p>6pcs M6x55</p>	<p>4</p>  <p>36pcs</p>
<p>5</p>  <p>14pcs</p>	<p>6</p>  <p>1pcs</p>	<p>7</p>  <p>1pcs</p>	

<p>A</p>  <p>1pcs</p> <p>Arrow sign match PART#B top holes</p>	<p>B</p>  <p>1pcs</p> <p>Arrow sign match PART#A holes</p>	<p>C</p>  <p>1pcs</p> <p>Arrow sign match PART#B BOTTOM holes</p>
<p>D</p>  <p>1pcs</p>	<p>E</p>  <p>1pcs</p>	<p>F</p>  <p>1pcs</p>
<p>G</p>  <p>1pcs</p>	<p>H</p>  <p>2pcs</p>	<p>I</p>  <p>1pcs</p>

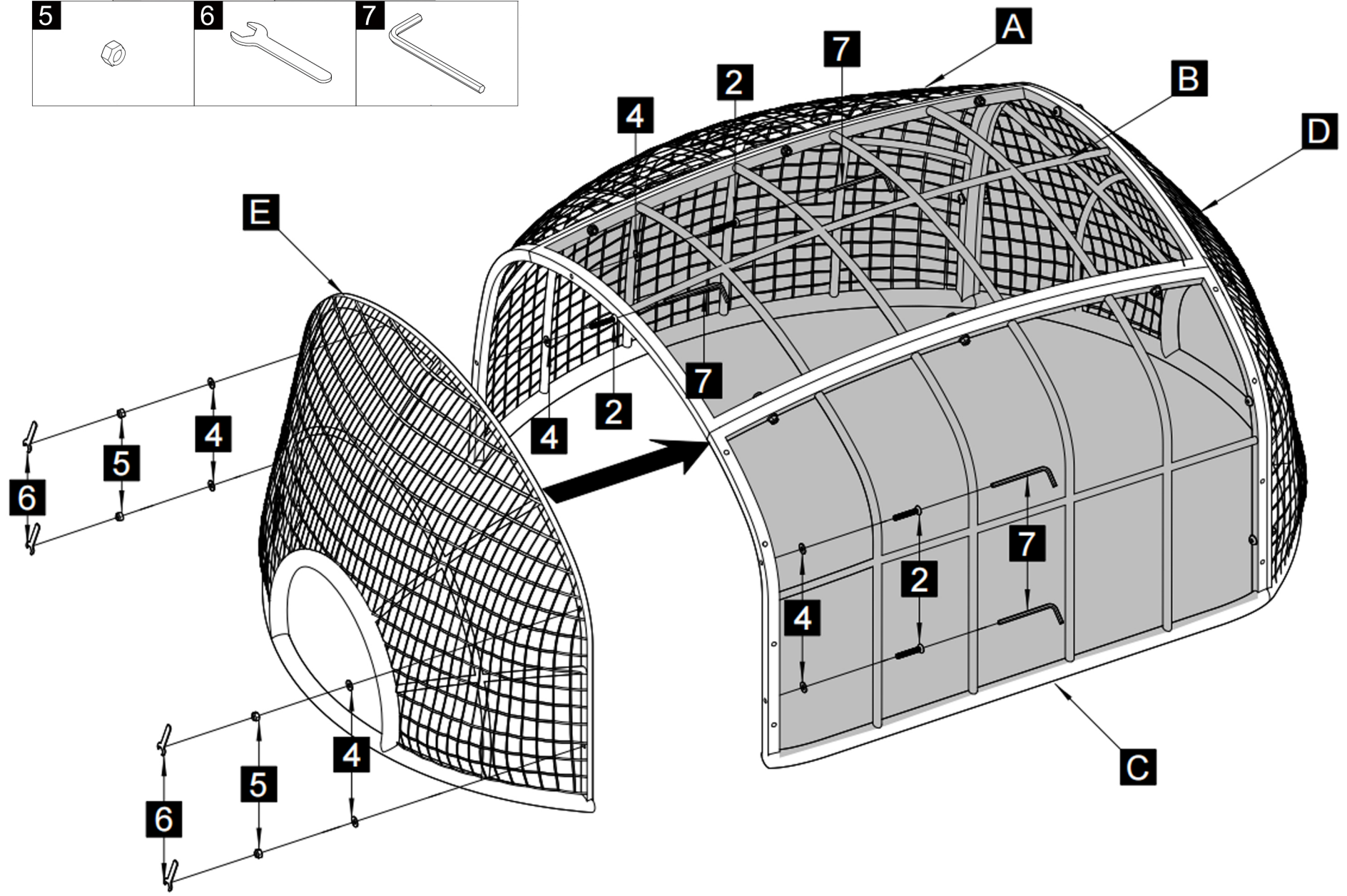
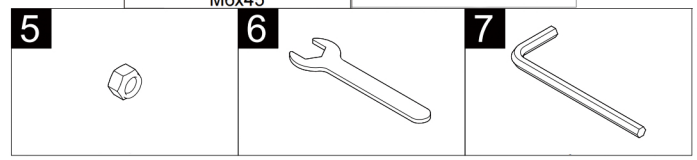
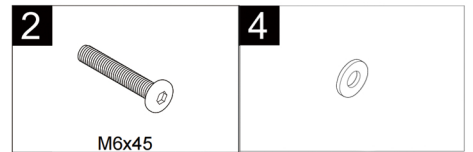
STEP 1



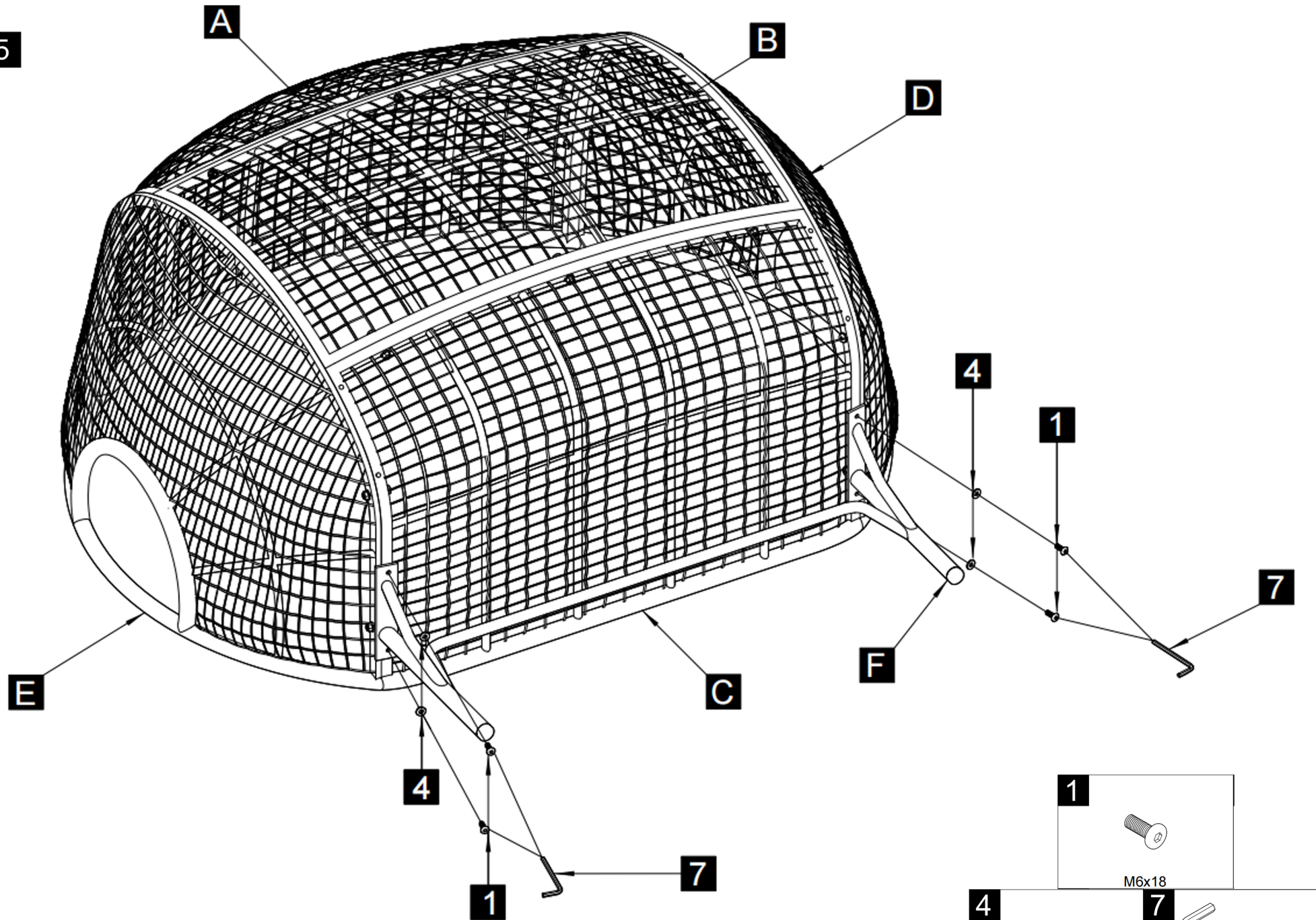
STEP 2

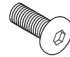

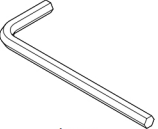


STEP 4

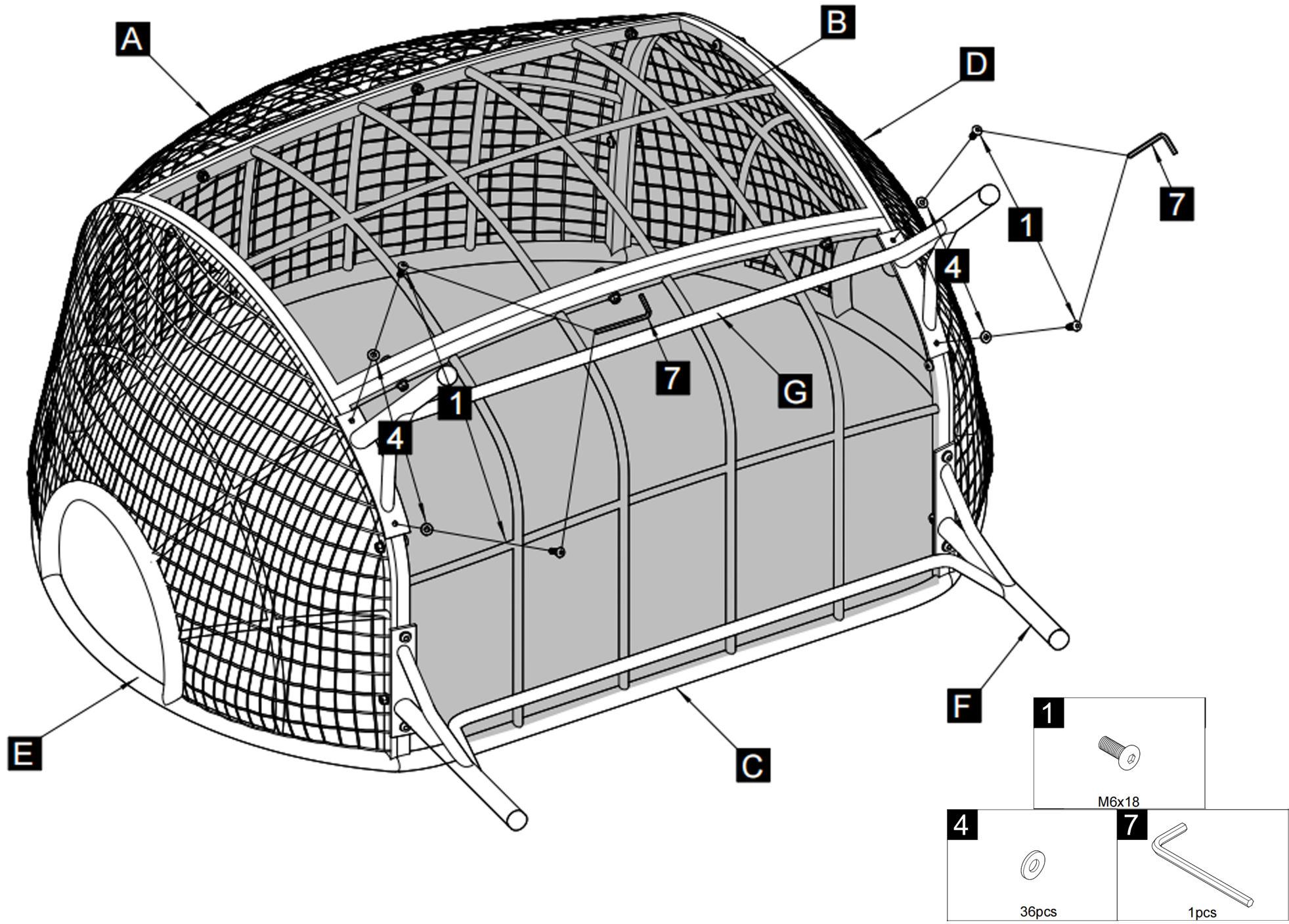


STEP 5



	1  M6x18
4  36pcs	7  1pcs

STEP 6



STEP 7

