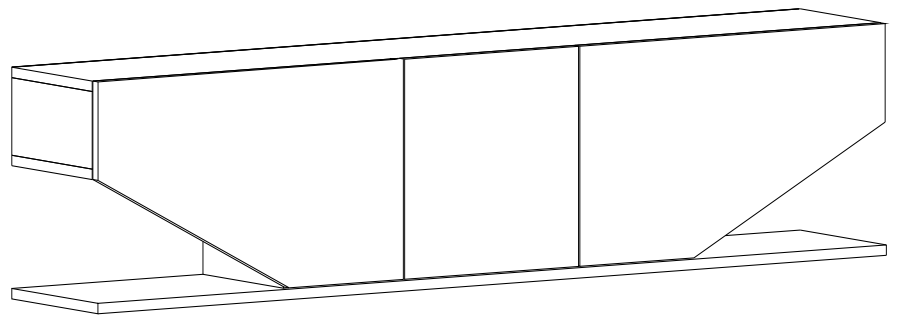


# DECOROTIKA



## Incia Tv Stand

assembly guide



Valued Customer,

We design and carefully manufacture our products for our customers, We wish that our customers to have fun while they are doing their new furniture

The product you just purchased was subjected to all sorts of tests and controls before sending out to you.

Hope you enjoy your new furniture!!!



Although all products are carefully manufactured and packed, sometimes we experience damage during transportation. In such cases, please check the damaged part, note the part number written on the part and do not hesitate to contact us

Before starting, please check all components and accessories according to the provided list. If you purchased more than one product, to prevent confusion, be sure that you completed the first product, then start the next one. Please make sure that you select correct numbered part and use specific connector to assemble. We do not recommend any modification or rotation in assembly. Please follow the manual carefully.

Furniture parts are going to several manufacturing procedures. During this process, parts can have little dust or marks. Please clean the parts with damp cloth before assembly to get the best result. Usual cleaning would be suffice.



Do not use your furniture for out of purposes. If you would like to use it out of purpose or would like to do some modification or rotation, please contact us for more details.

Please do not expose your furniture with excessive heat, cold and humidity because product can be affected negatively.

You may reach us via [assembly@decorotika.com](mailto:assembly@decorotika.com) for assembly questions. For all other inquiries please contact directly with marketplaces which you have placed your order.

You may also reach us via [assembly@decorotika.com](mailto:assembly@decorotika.com) for all inquiries regarding the orders you have placed on [www.decorotika.us](http://www.decorotika.us) .Please mention your order number in your e-mail. Thanks for choosing our products.

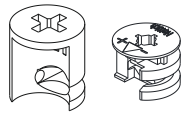
e-mail : [assembly@decorotika.com](mailto:assembly@decorotika.com)

The US Phone : +1 302 327 8923 Working Hours: Mon- Fri (09 am - 05 pm)

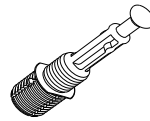
EUROPE Phone : +90 553 966 7517 Working Hours: Mon- Fri (07 am - 05 pm)

# getting familiar with the main components

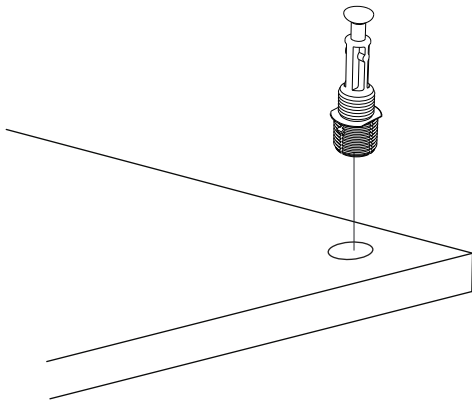
\*Minifix is the main connection component used in Decorotika products. Before starting, please check the below figures



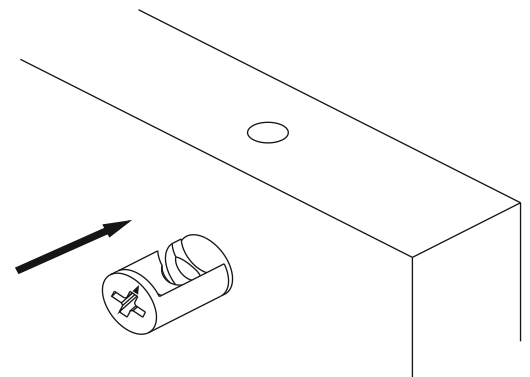
MINIFIX  
HEAD



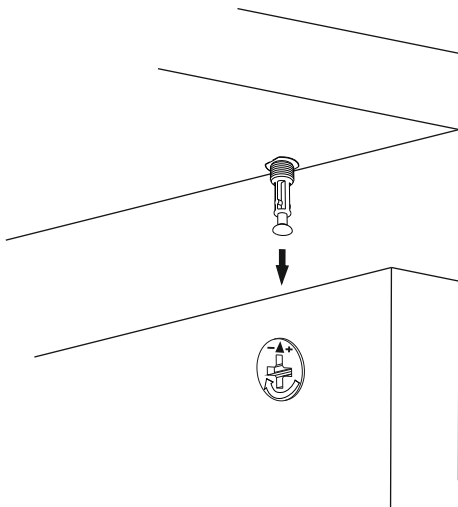
MINIFIX  
SCREW



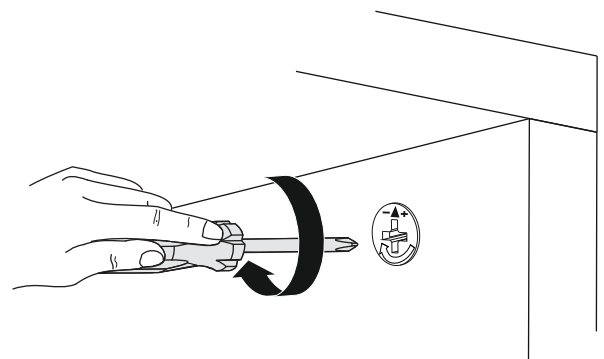
\*Please notice that there is an small arrow on A02 (minifix head). This arrow should show the direction of upper hole.



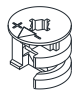
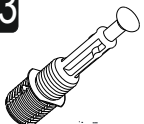
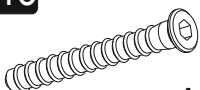


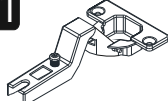
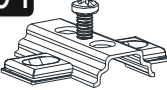

\*After attaching two pieces please turn the A02 (minifix head) clockwise direction with the help of a screwdriver.



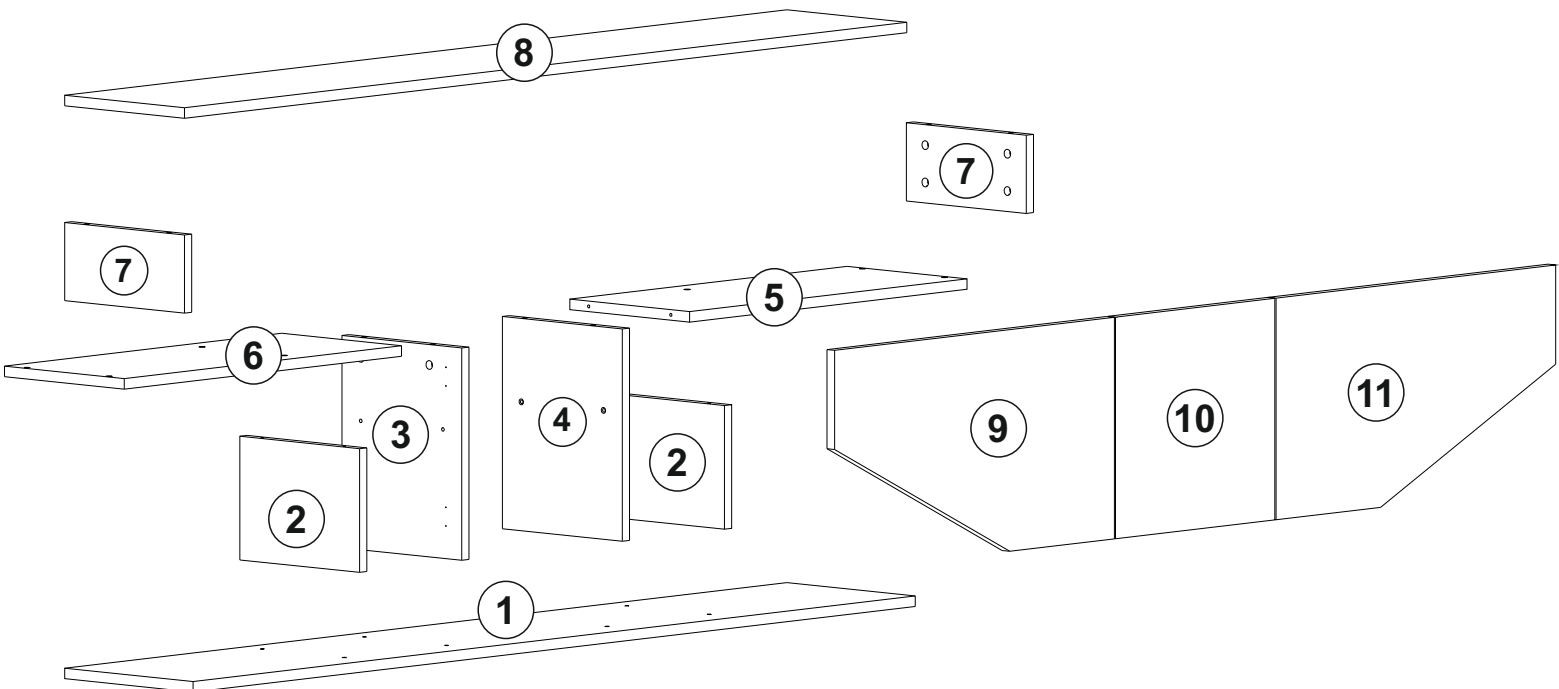
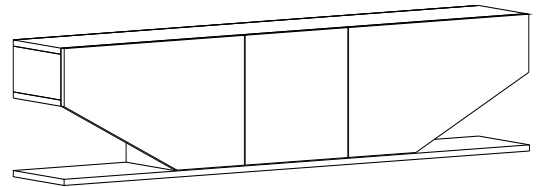
\*Please do not over screw the minifix head since it may be broken if too much power is imposed. Just make sure that it is screwed to the direction “+” do not go any further.



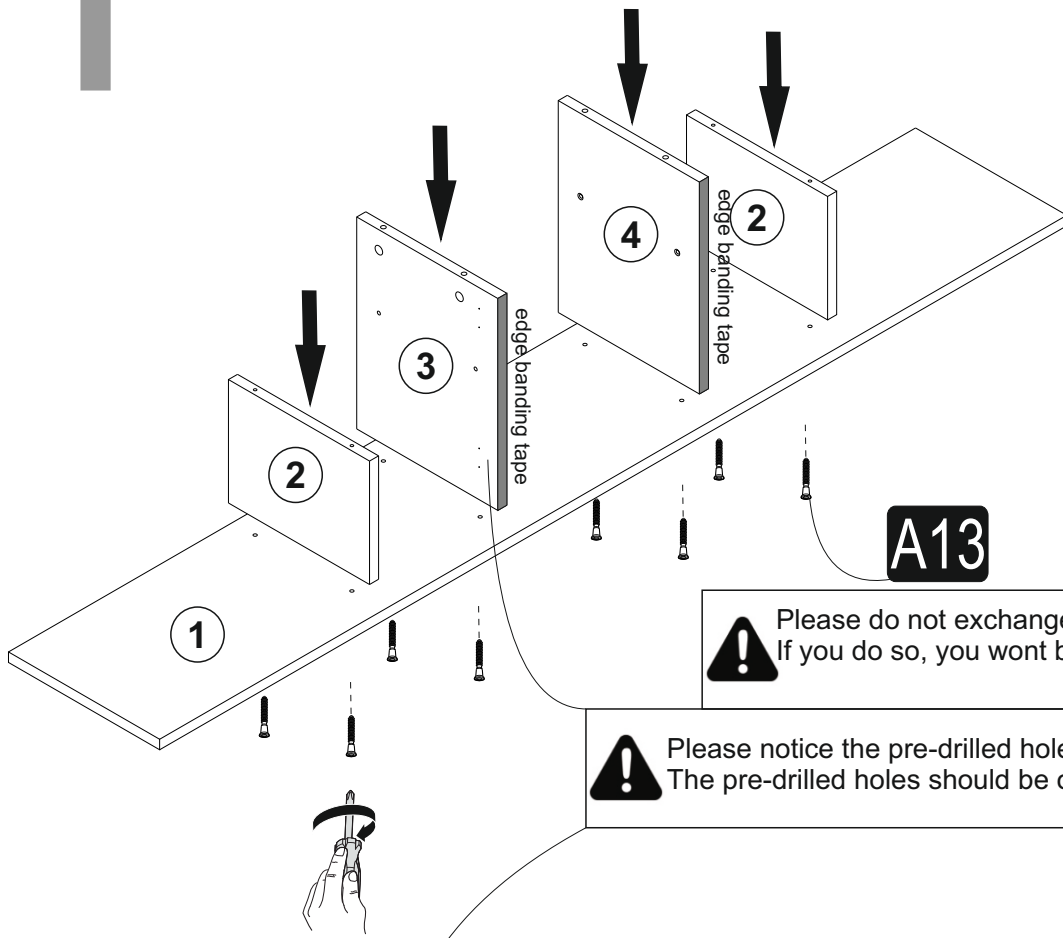
# ACCESSORY LIST

<b>A02</b> minifix head  <b>12x</b>	<b>A03</b> minifix screw  <b>12x</b>	<b>A13</b> 50 mm screw  <b>16x</b>	<b>A09</b> 3,5x16 mm screw  <b>24x</b>	
<b>A06</b> 18 mm sticker  <b>28x</b> <small>c1</small>	<b>C01</b> bracelet  <b>6x</b>	<b>C04</b> pivot  <b>6x</b>	<b>A08</b> Ms  <b>8x</b>	<b>A05</b> nail  <b>60x</b>

## GENERAL VIEW



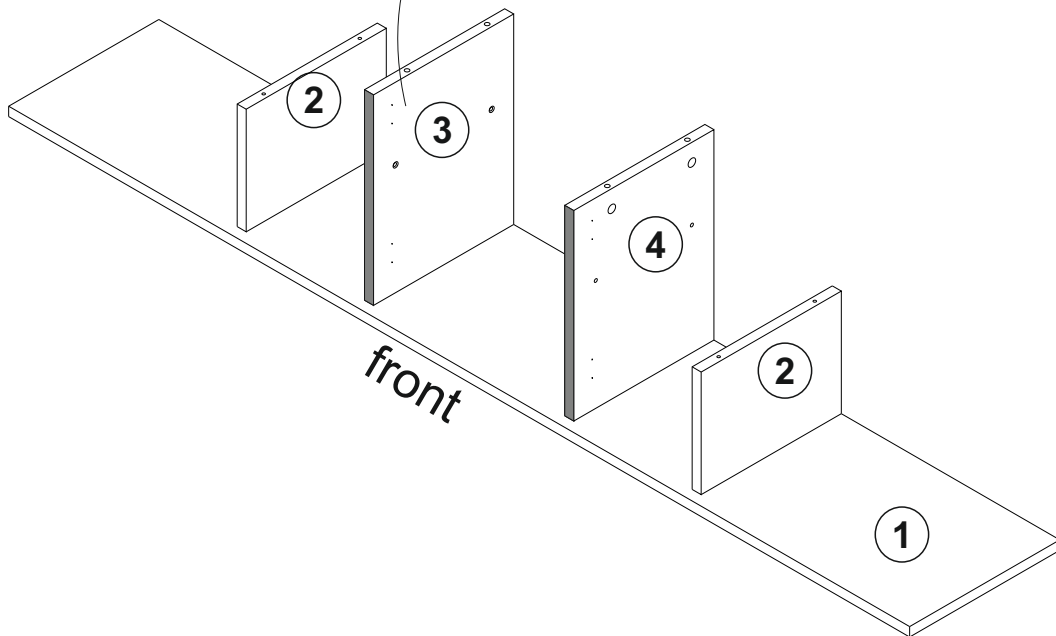
# 1



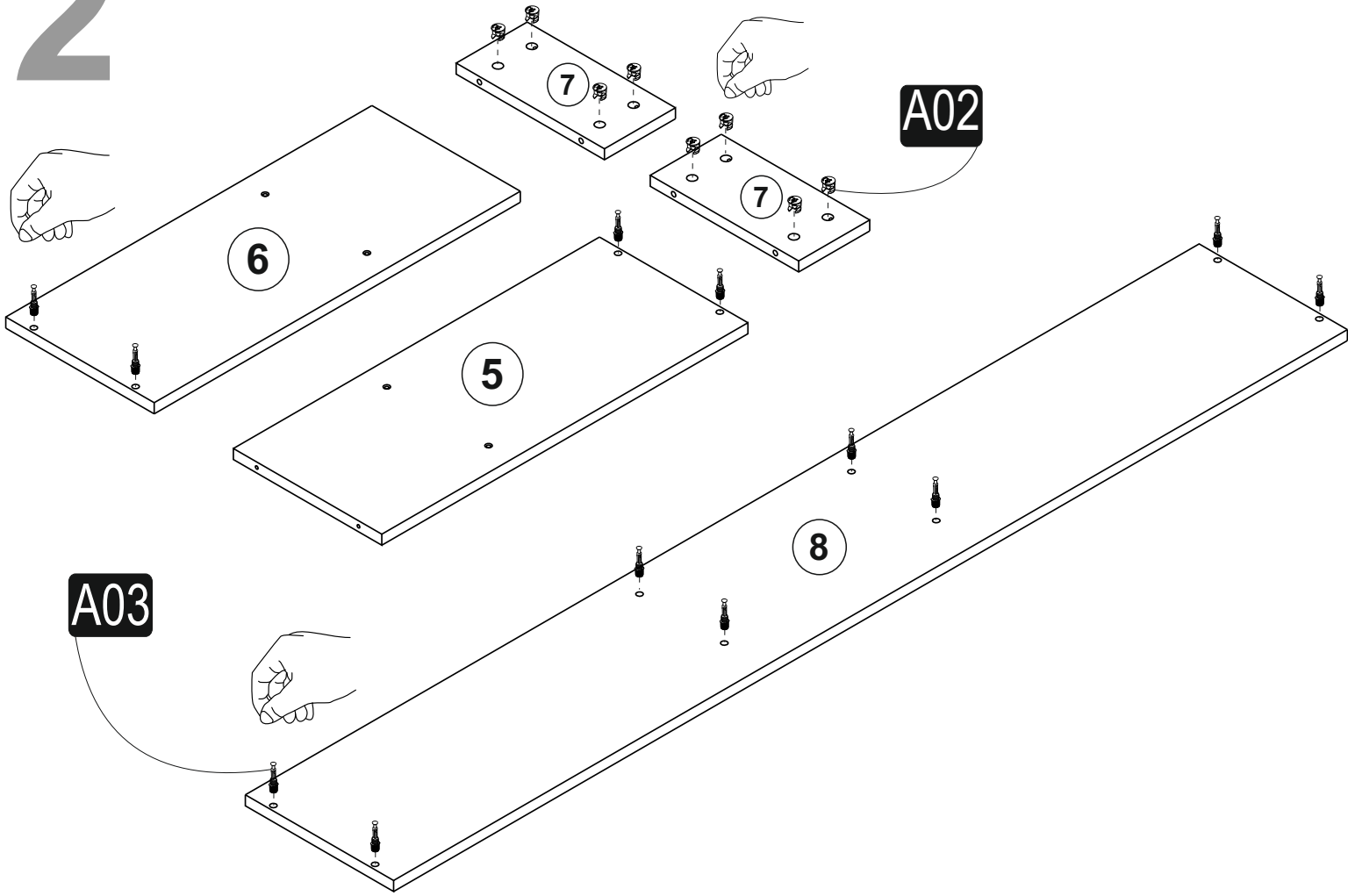
**A13**  
! Please do not exchange the location of the pieces #3 and #4.  
If you do so, you wont be able to install the piece #9

! Please notice the pre-drilled holes on the pieces #3 and #4.  
The pre-drilled holes should be on the front side of the tv stand.

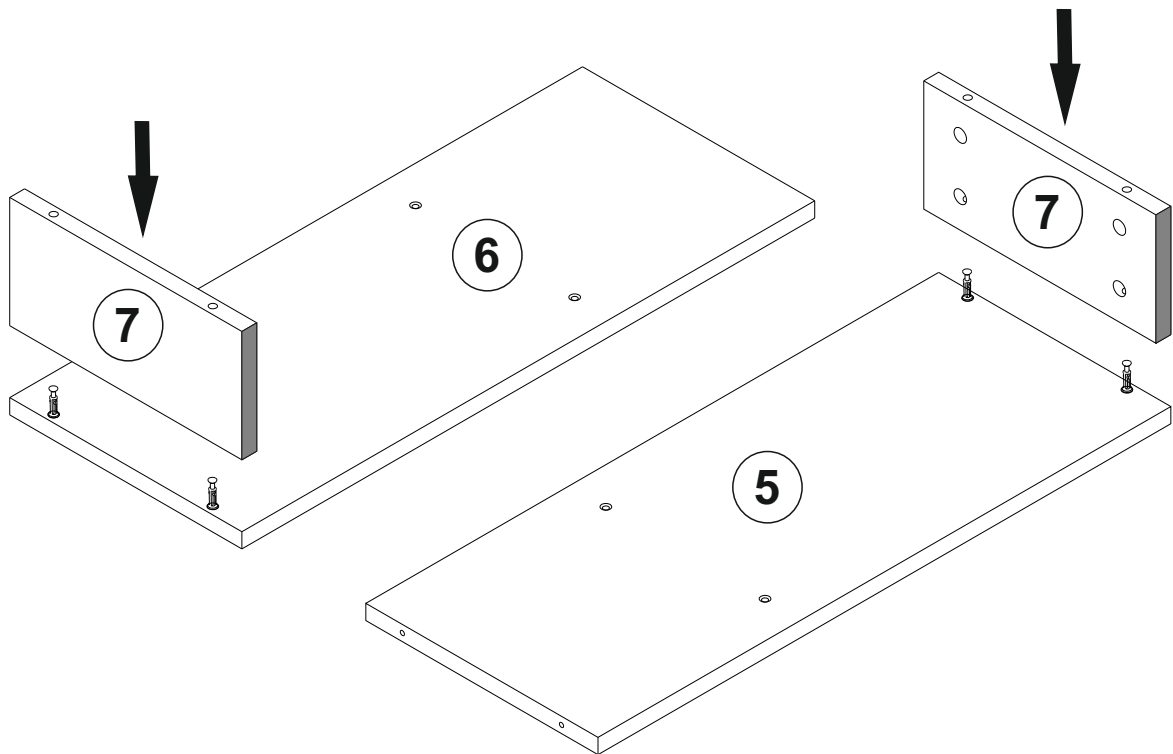
after installation



# 2

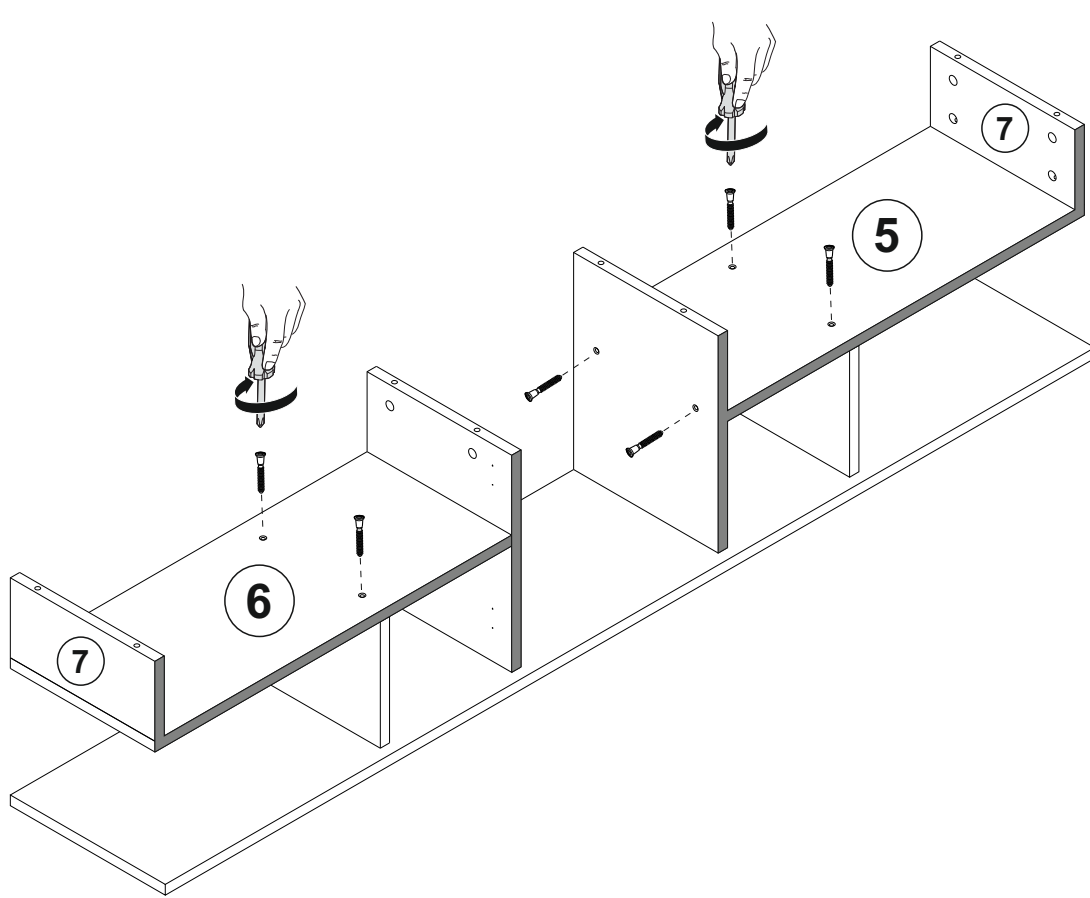


# 3

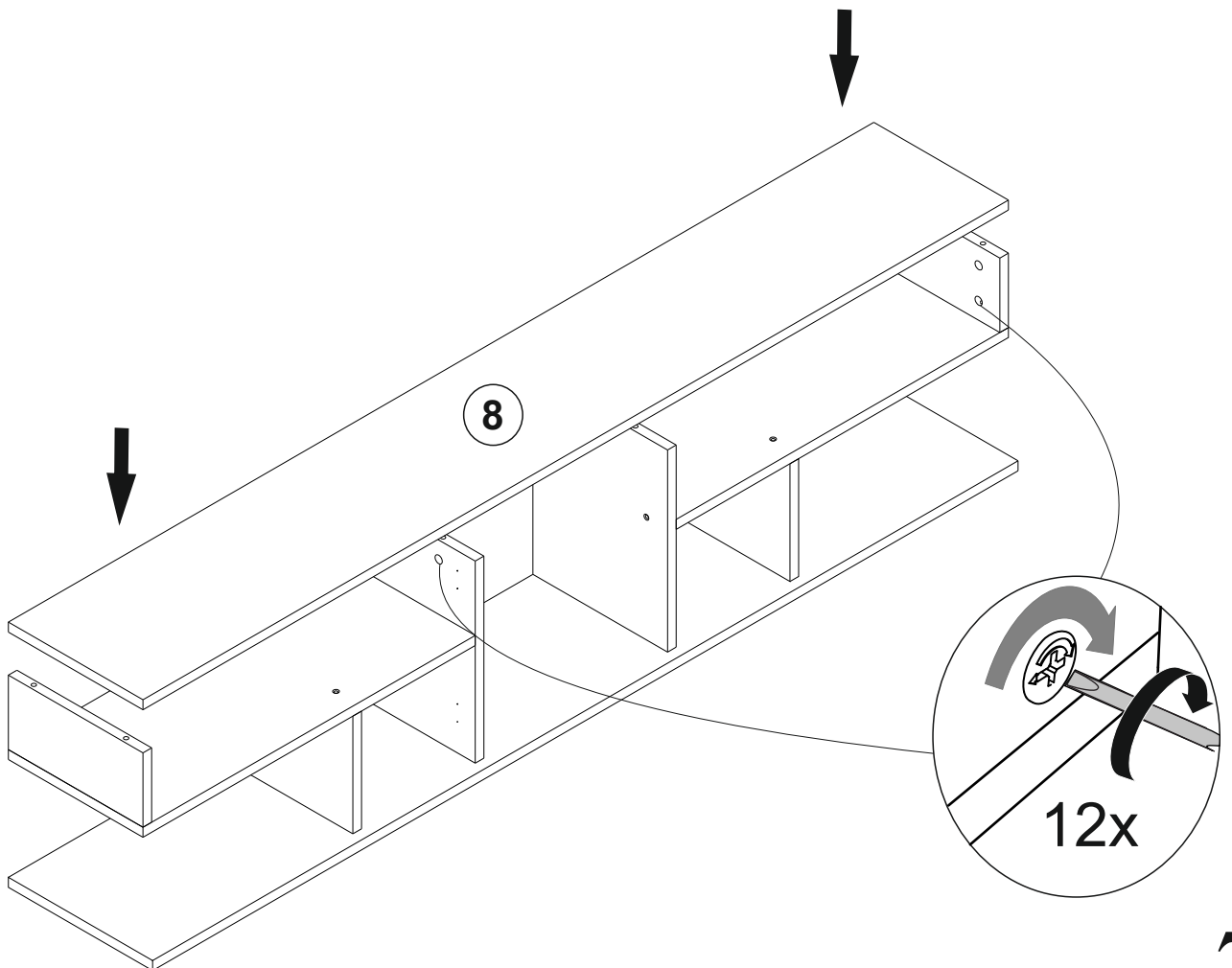


# 6

# 4

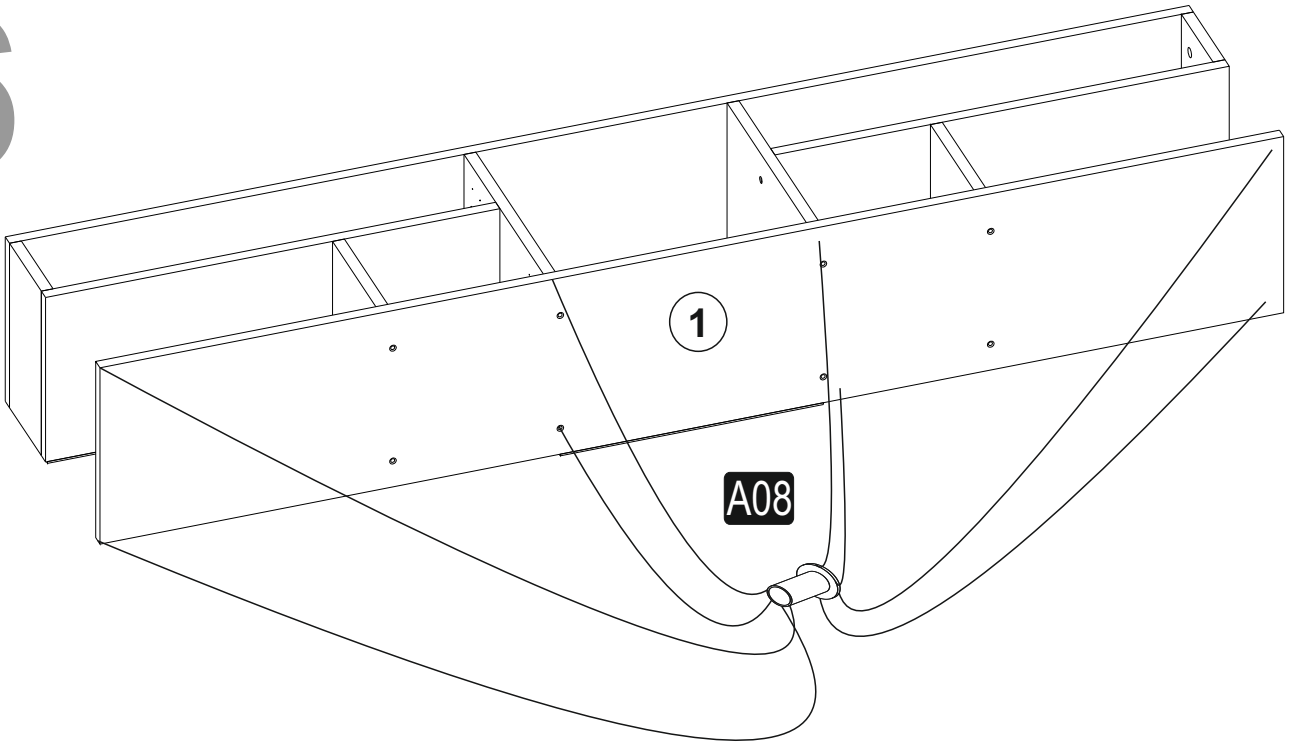


# 5

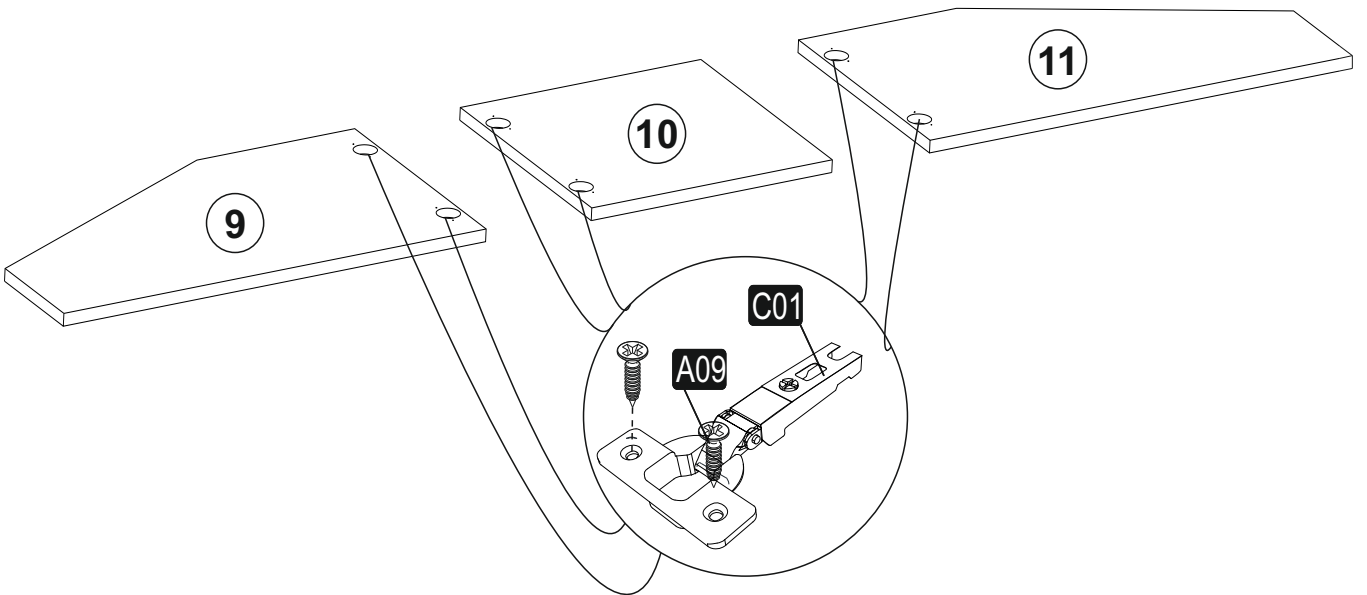


# 7

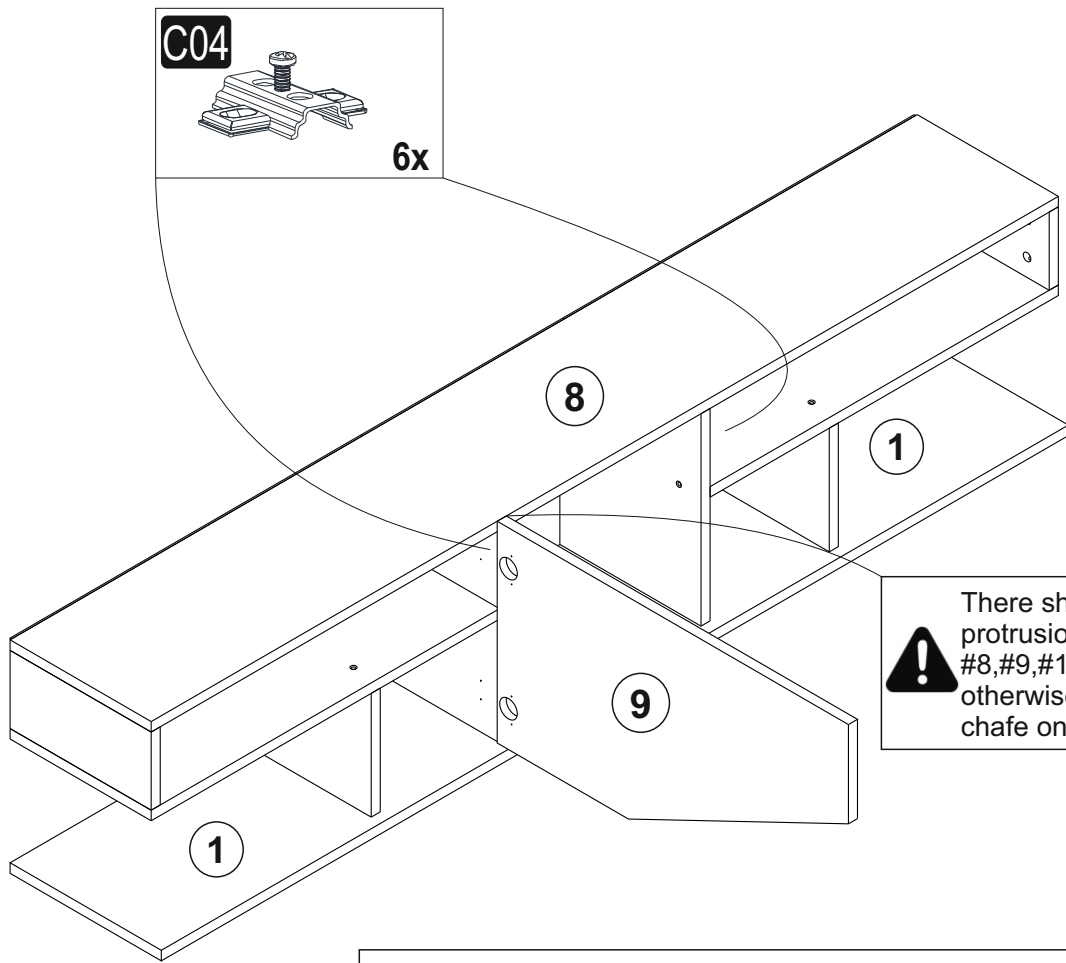
# 6



# 7

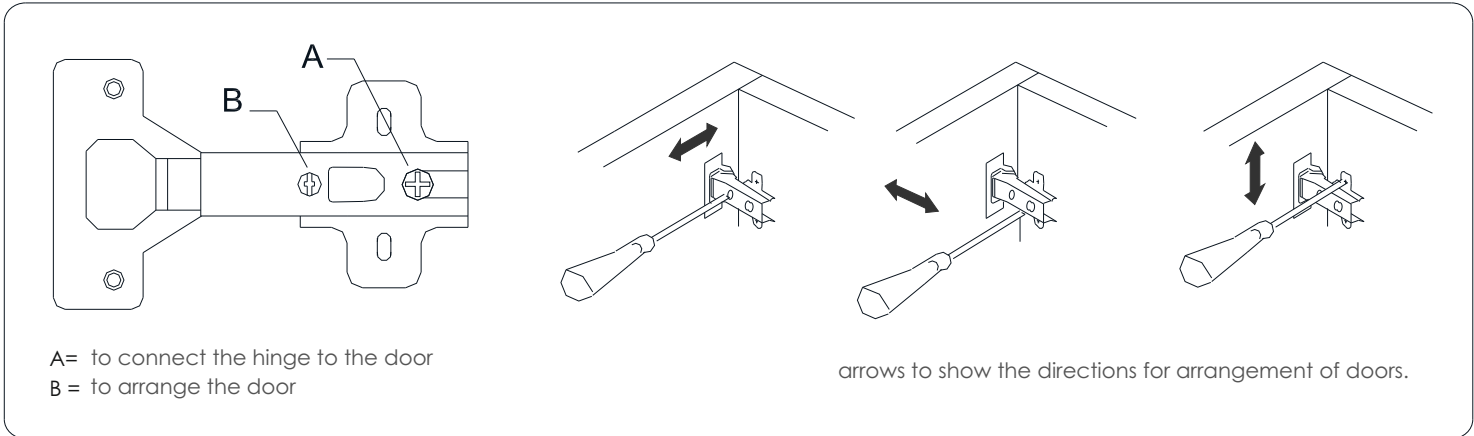
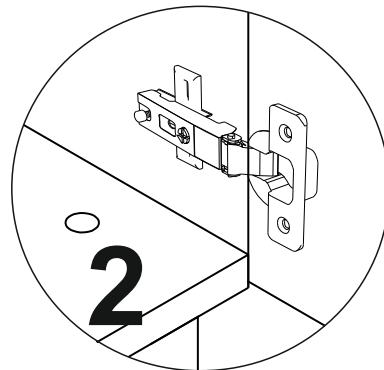
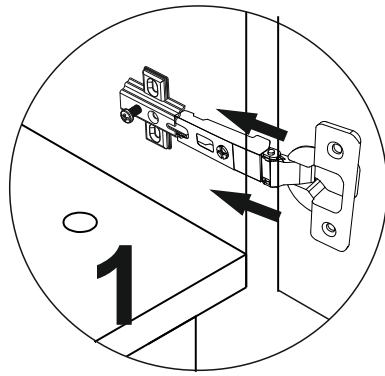


# 8

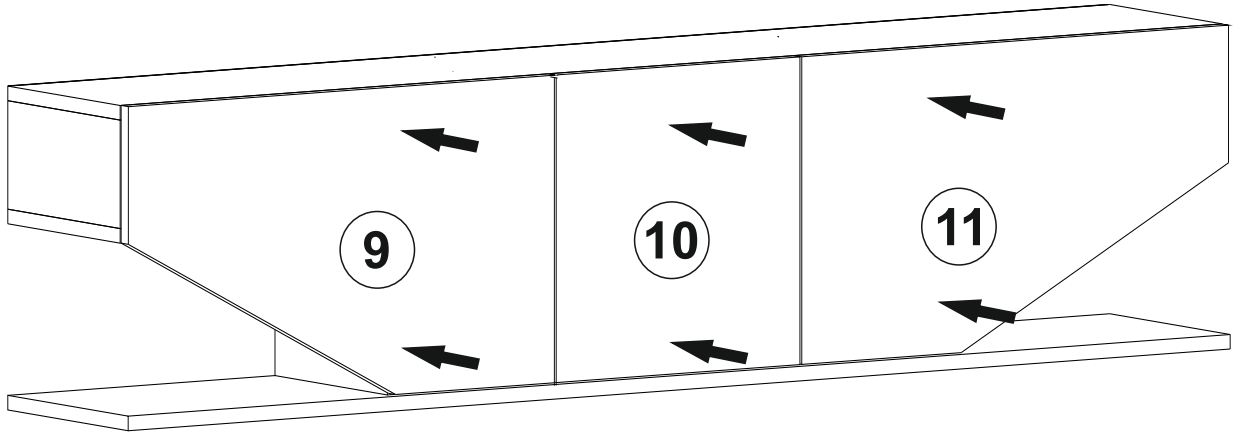


**!** There should be no protrusion on the pieces #8, #9, #10 and #11, otherwise your doors will chafe on the piece #1

**!** If you are having problem aligning of the doors, you can watch hinge installation videos on the internet or get help from professionals

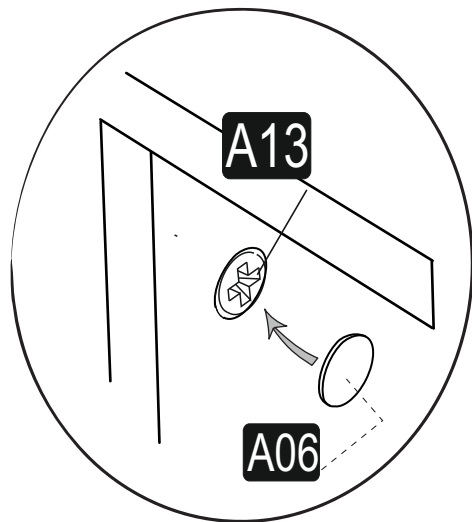
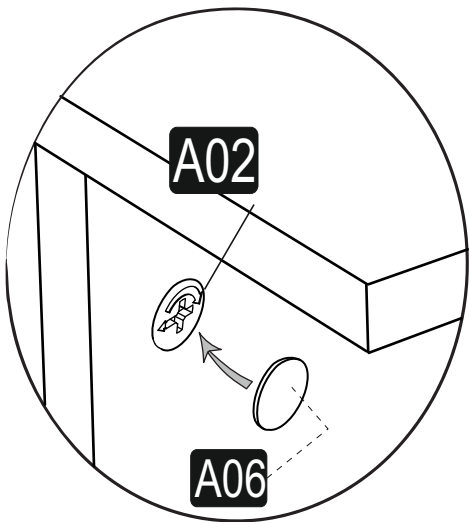


# 9

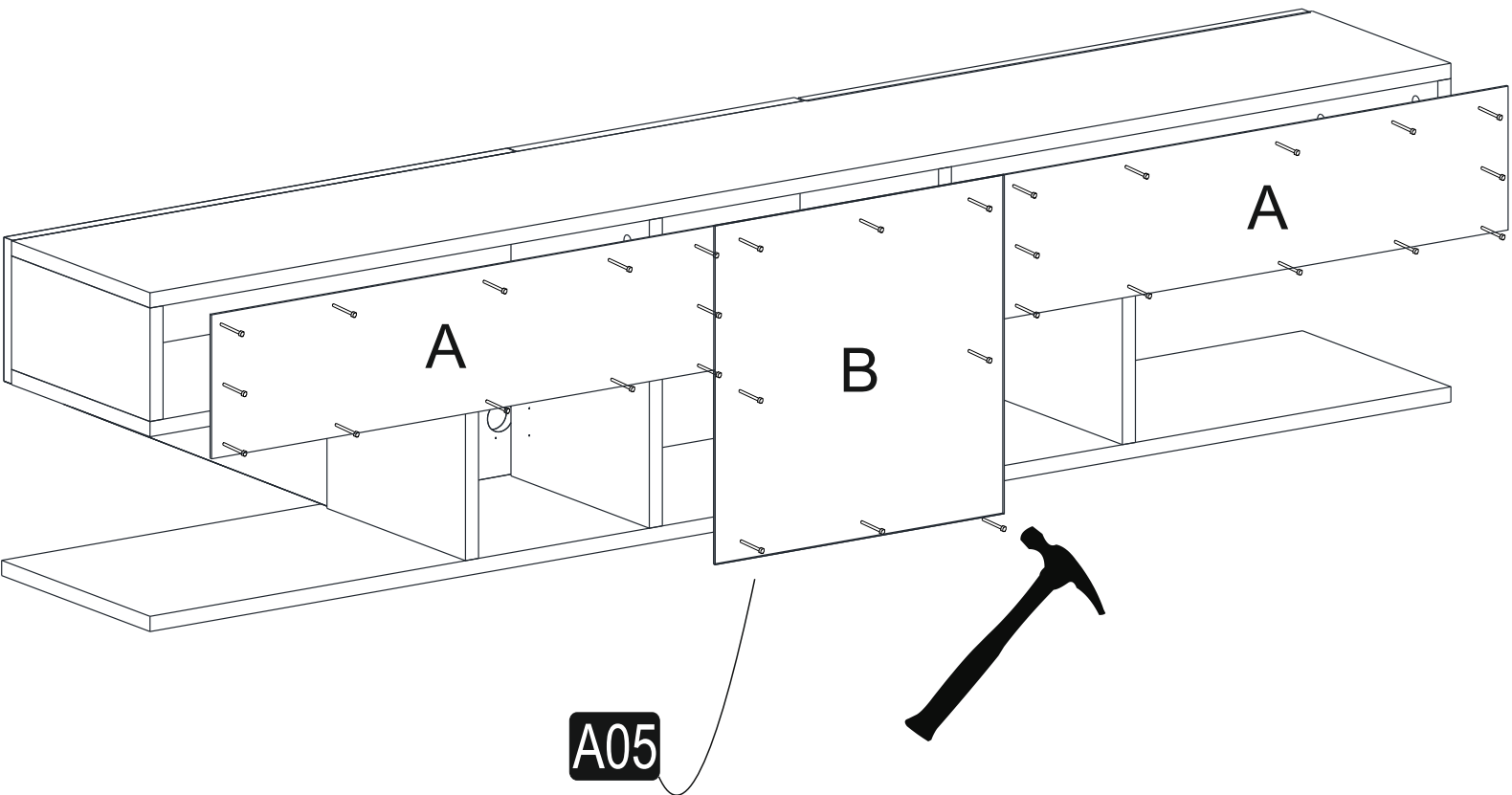



# 10

\*For the best appearance of your furniture please place all A06(18 mm sticker) onto the A02 ( minifix head) and A13(50 mm screw).

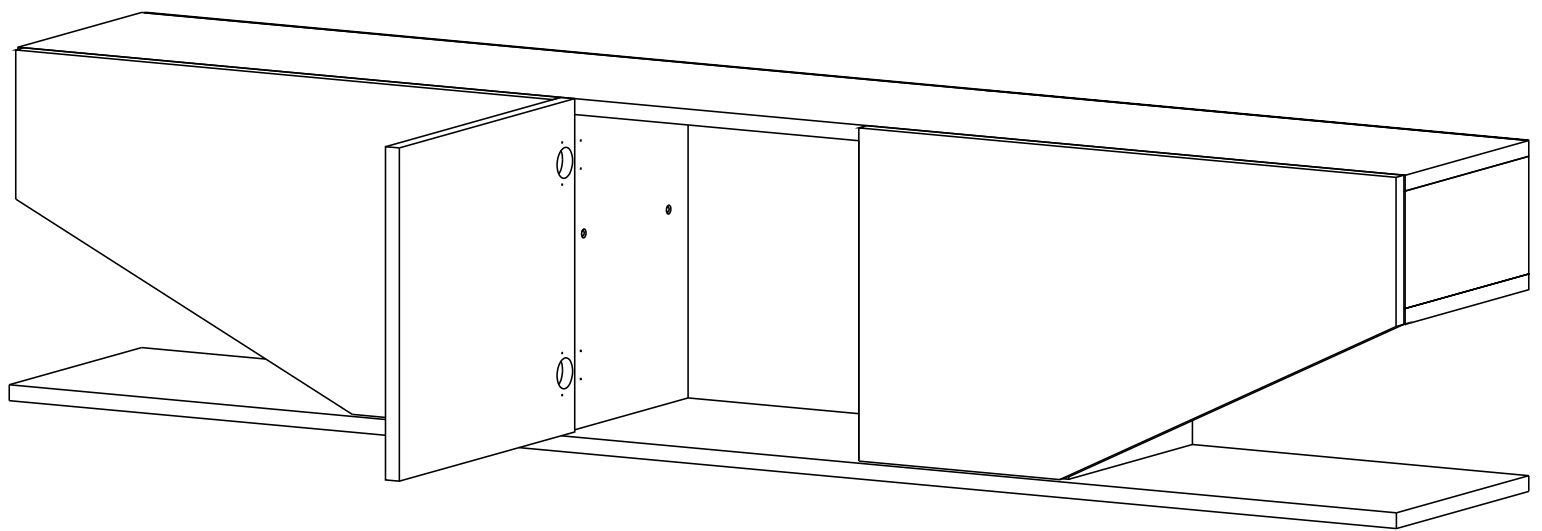


# 10



 We definitely advise to install back panels A and B to make your tv stand sturdier

final look



[contact@decorotika.com](mailto:contact@decorotika.com)



[www.decorotika.us](http://www.decorotika.us)  
[www.decorotika.com](http://www.decorotika.com)