




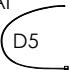
ASSEMBLY INSTRUCTIONS

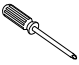

PAGE: 1/3

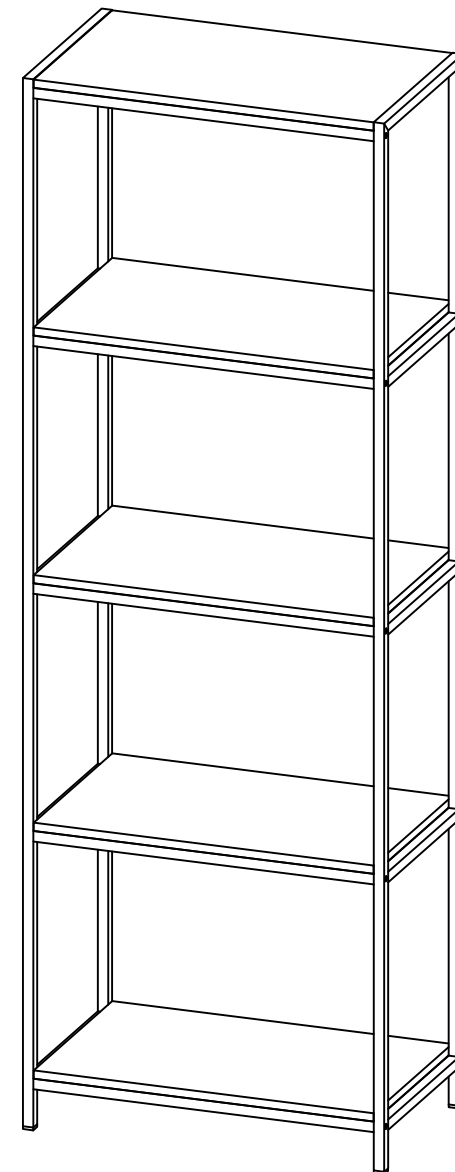
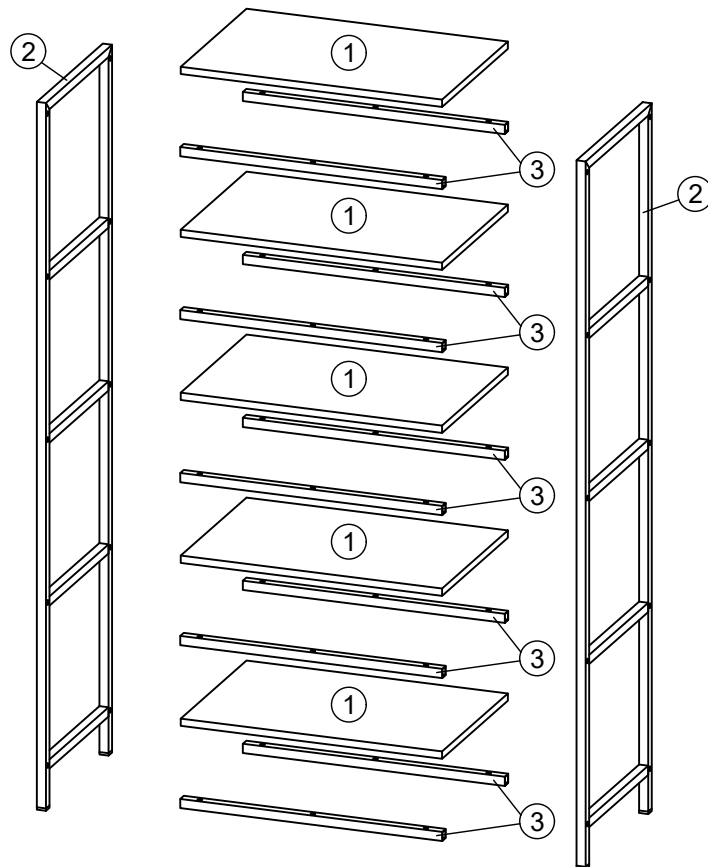
Before you begin, please follow assembly instructions carefully, then follow them step by step.

Read instruction carefully . See Furniture Parts list and Hardware List for guidance . Be sure you have all parts before you start assembling . Place and assemble furniture on a clean flat soft surface , such as carpet or rug to prevent being scratched .

PART LIST		QTY
1	SHELF PANEL	5 PCS
2	METAL SIDE	2 PCS
3	METAL SUPPORT	10 PCS

HARDWARE			
A	ALLEN KEY M4		1 PC
B	JCBC SCREW M6 X 30MM		30 PCS
C	JCBC SCREW M6 X 40MM		20 PCS
D	TIPPING PACK WITHOUT AI		2 SETS

SELF-PREPARED TOOLS: Tools below are NOT included in package.	
 SCREWDRIVER	 HAMMER



Reminder:

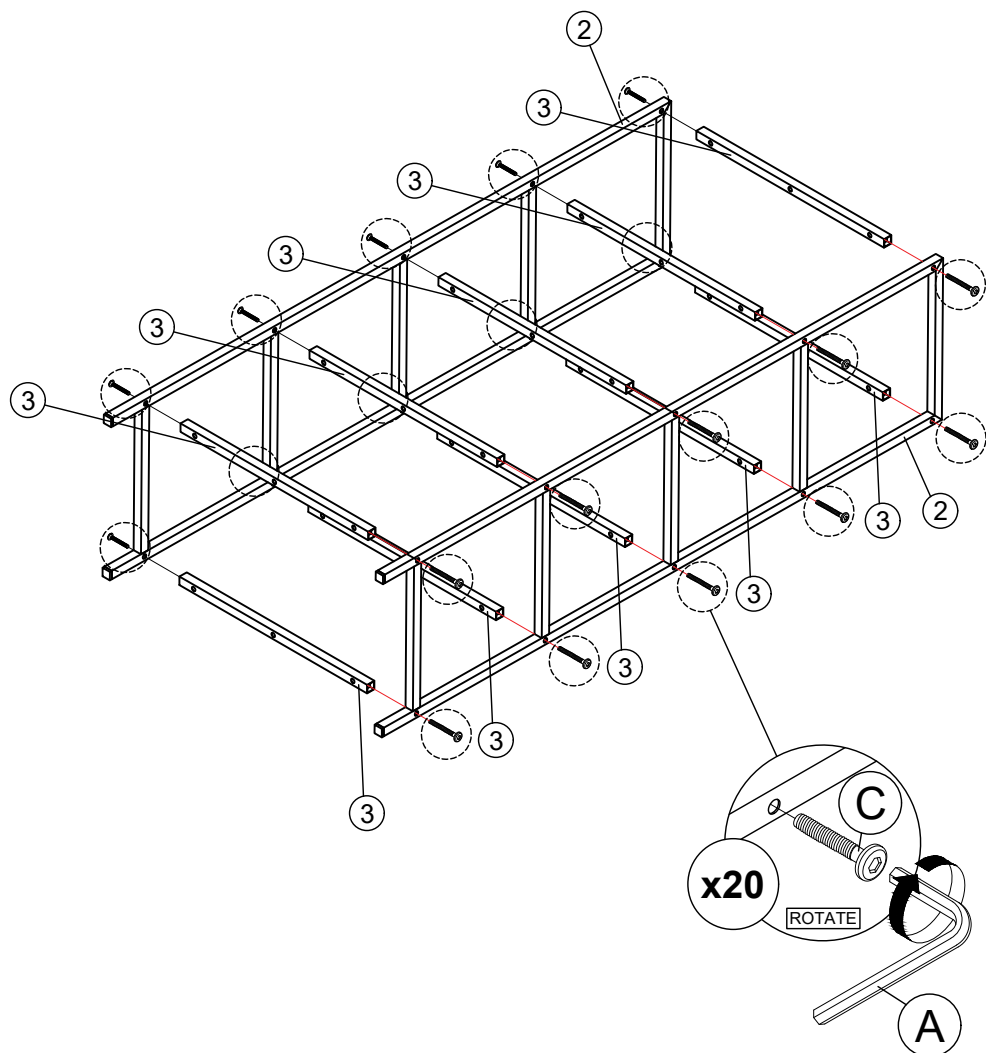
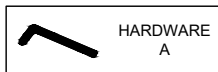
Please ensure that all surfaces and edges with colours/laminations are facing forward/outward.

ASSEMBLY INSTRUCTIONS

PAGE: 2/3

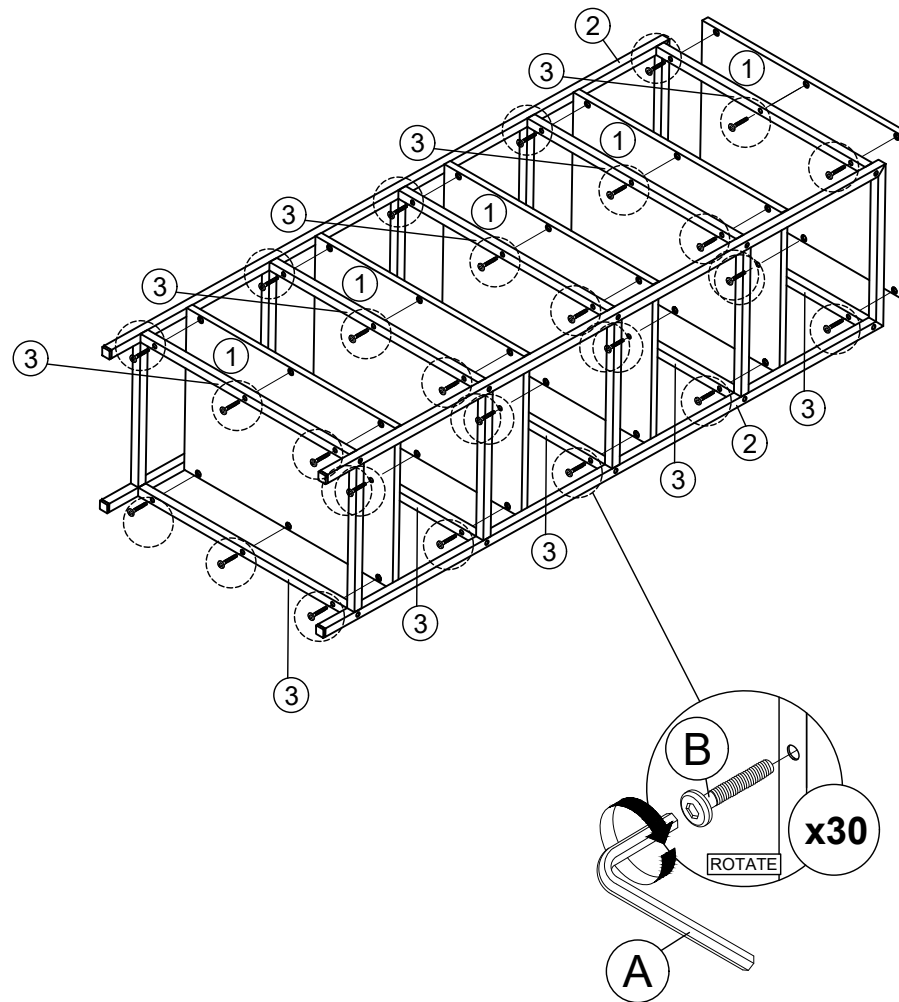
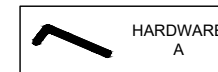
STEP 1

- Connect Metal Side (2) to Metal Support (3) by using hardware A and C. (Repeat 20 times.)



STEP 2

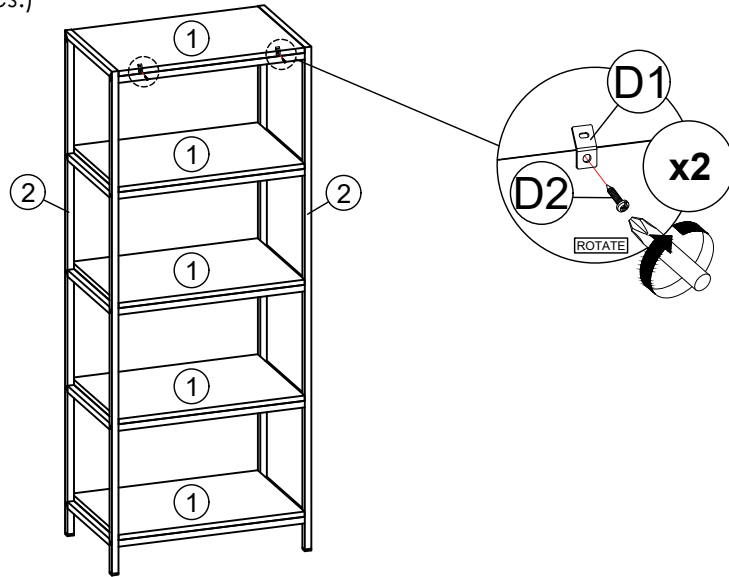
- Connect Metal Support (3) to panel (1) by using hardware A and B. (Repeat 30 times.)



ASSEMBLY INSTRUCTIONS

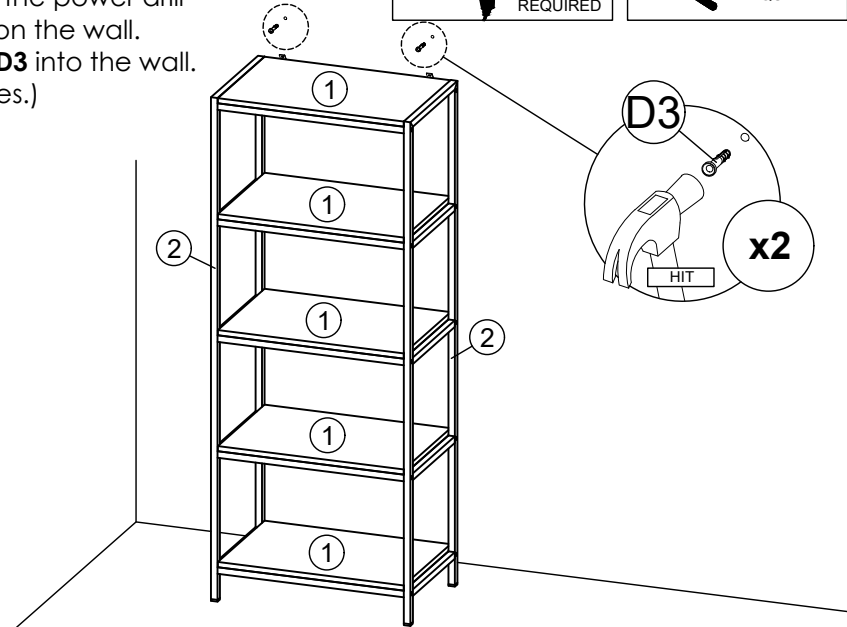
STEP 3

- Assemble hardware **D1** into panel **(1)** by using hardware **D2**.
(Repeat 2 times.)



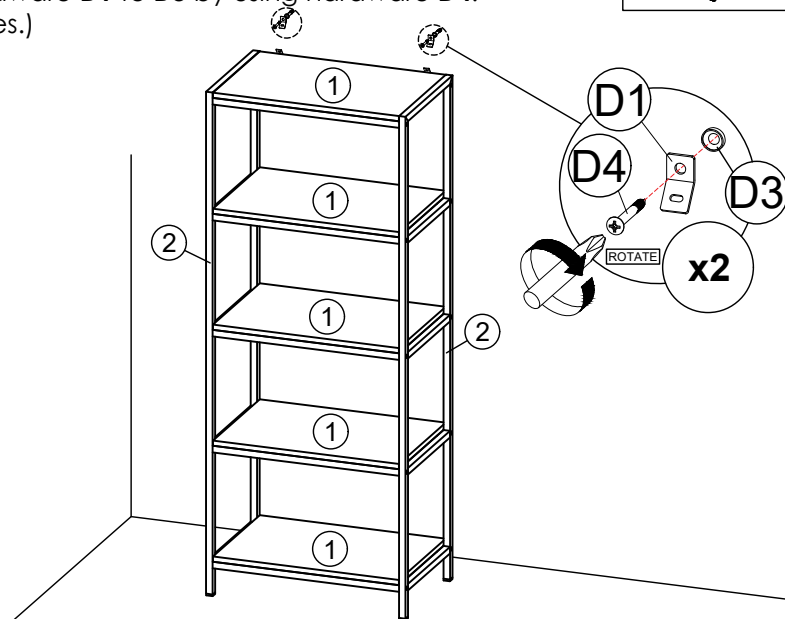
STEP 4

- Mark and use the power drill to drill a hole on the wall.
- Hit hardware **D3** into the wall.
(Repeat 2 times.)



STEP 5

- Assemble hardware **D1** to **D3** by using hardware **D4**.
(Repeat 2 times.)



STEP 6

- Connect both of the hardware **D1** by using hardware **D5**.
- Tighten the hardware **D5**.
(Repeat 2 times.)

