

# **ASSEMBLY INSTRUCTIONS**

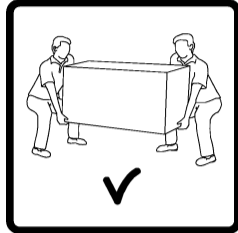
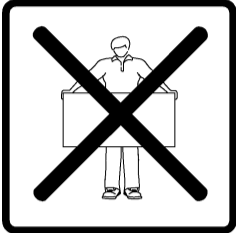
**ASSEMBLY TIPS:**

- 1.Remove hardware from box and sort by size.
- 2.Please check to see that all hardware and parts are present prior to start of assembly.
- 3.Please follow attached instructions in the same sequence as numbered to assure fast & easy assembly.



**Warning !**

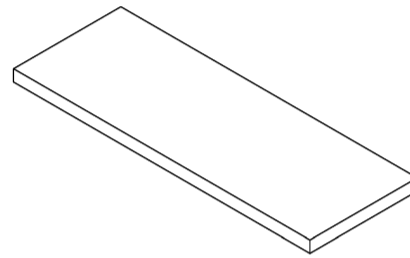
- 1.Don't attempt to repair or modify parts that are broken or defective. Please contact the store immediately.
- 2.This product is for home use only and not intended for commercial establishment.



**ASSEMBLY TIME PER UNIT: 30 MINUTES**

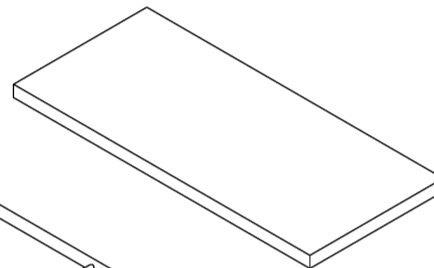
**PARTS IDENTIFICATION:**

(A) SHELF



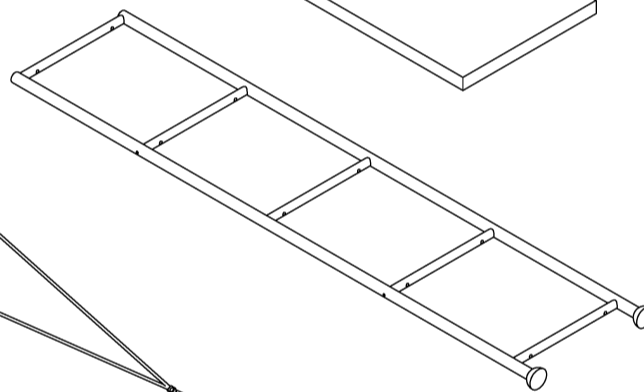
4PCS

(B) TOP PANEL



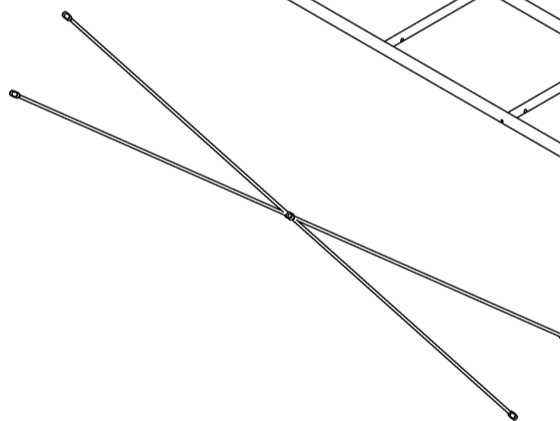
1PC

(C) METAL FRAME






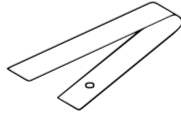



2PCS

(D) SUPPORT BAR

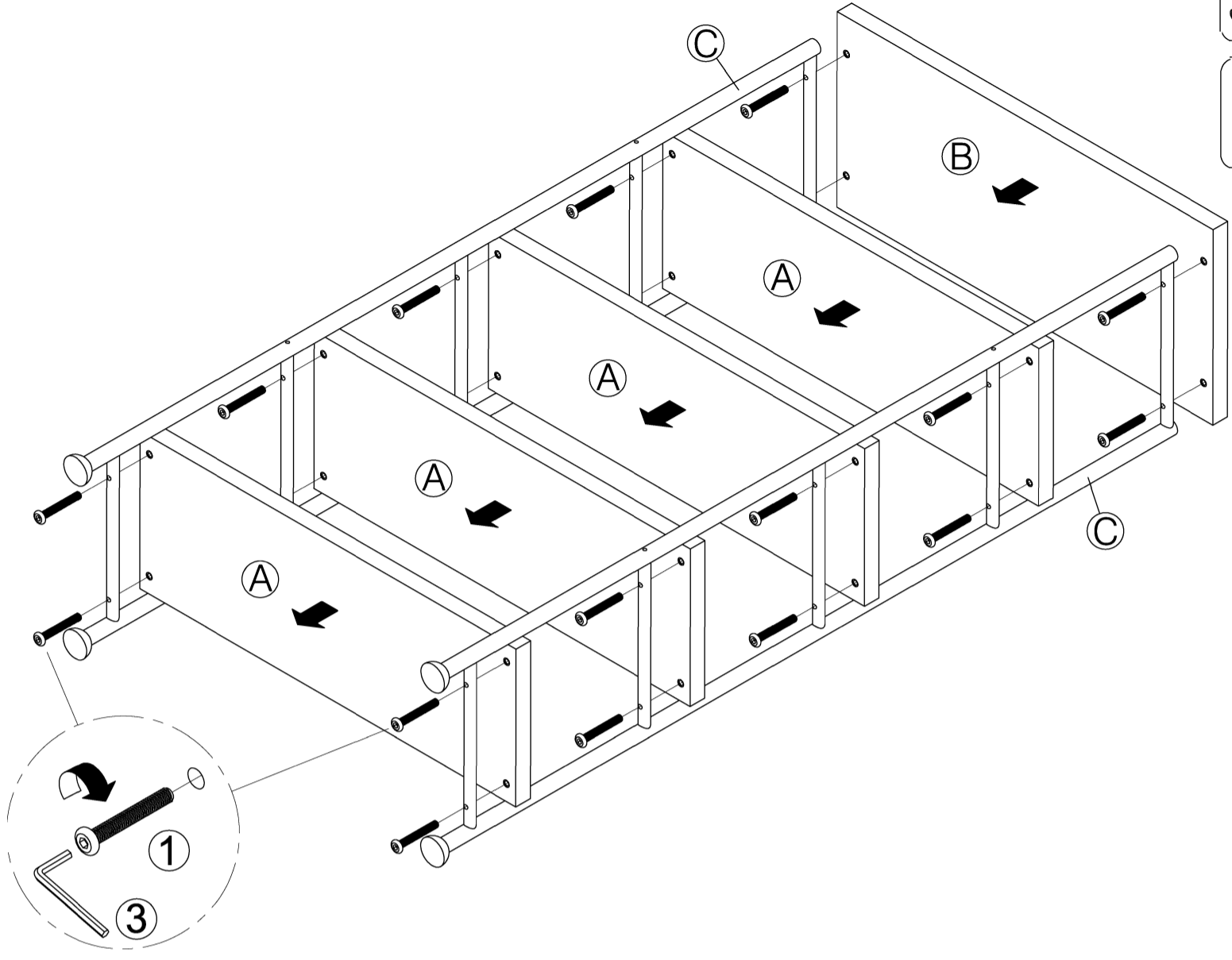
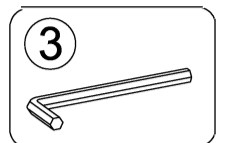
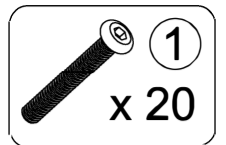


1PC

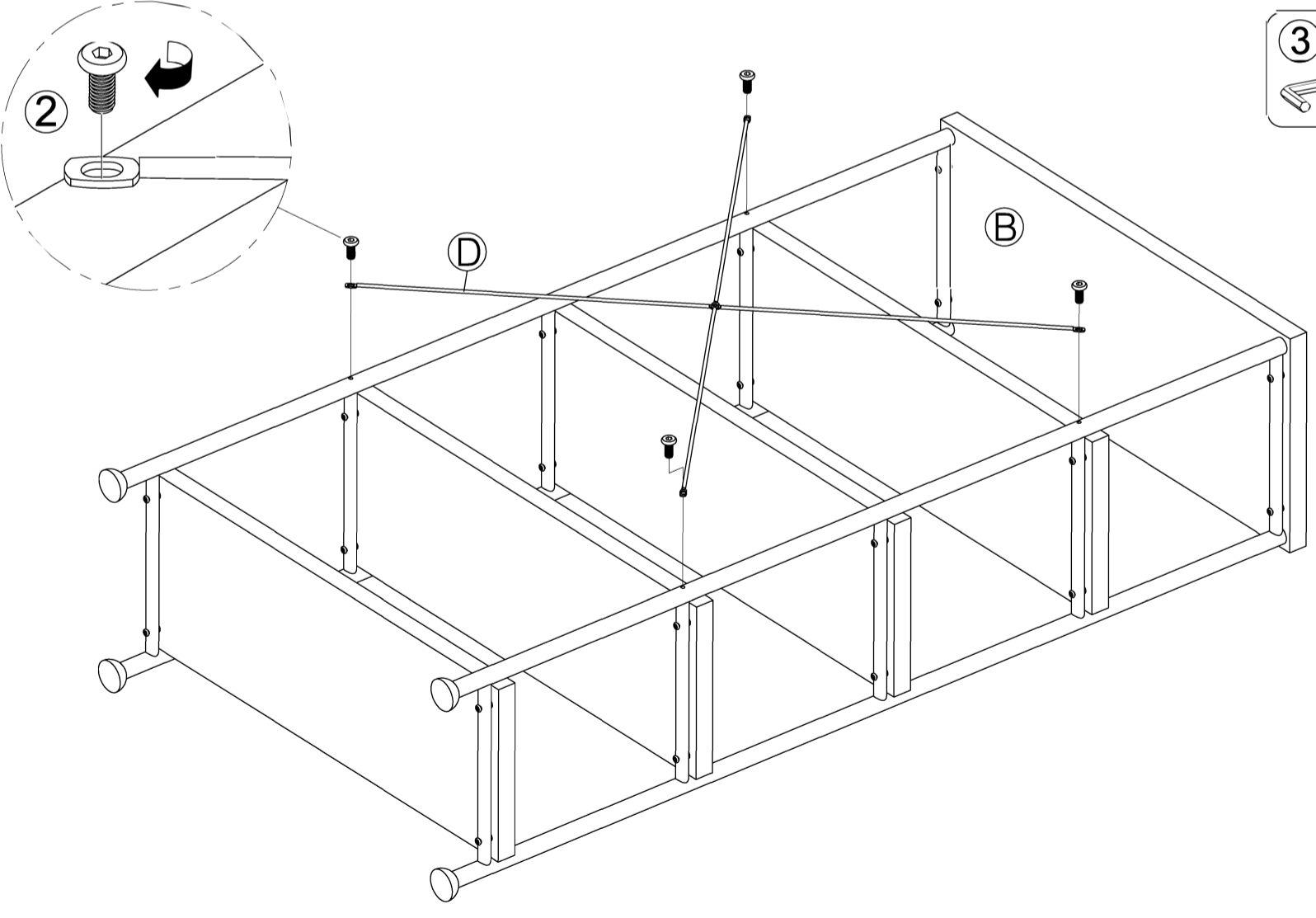
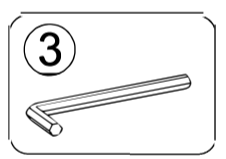
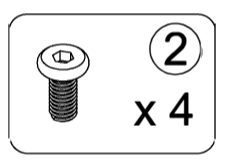
Z	HARDWARE PACKAGE		
NO	DESCRIPTION	FIGURE	Q'TY
1	LARGE BOLT M6x44mm		20 PCS
2	SHORT BOLT M6x15mm		4 PCS
3	ALLEN WRENCH		1 PC

Z	HARDWARE PACKAGE		
NO	DESCRIPTION	FIGURE	Q'TY
4	ANTI-TIP STRAP 170x15mm		2 PCS
5	WALL PLUG 6x30mm		2 PCS
6	WALL SCREW $\phi$ 4x25mm		2 PCS
7	SCREW $\phi$ 4x16mm		2 PCS

STEP 1 :



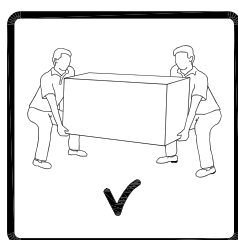
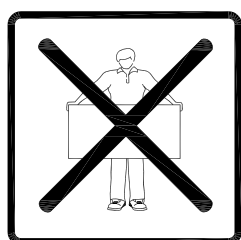
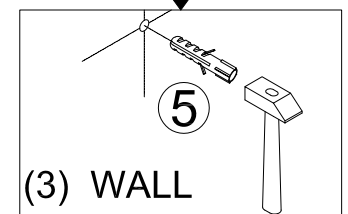
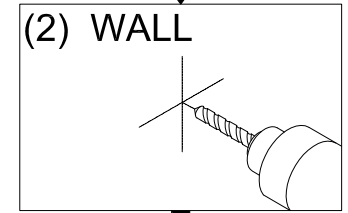
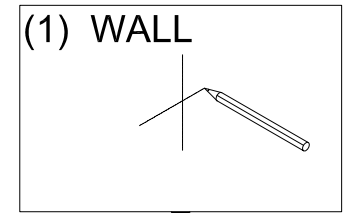
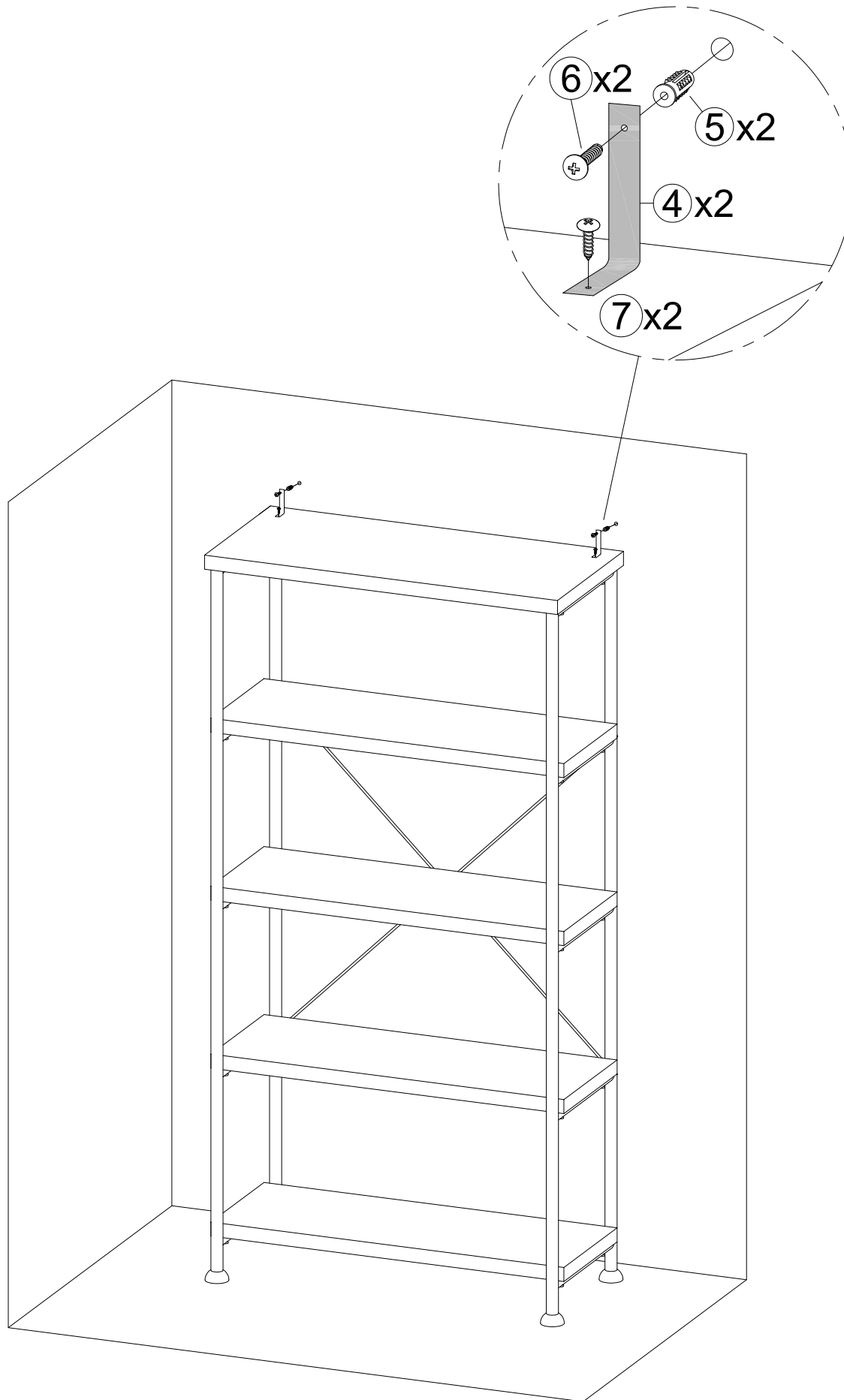
STEP 2 :



**STEP 3 :**

**ATTENTION: ANTI TIPPING SAFEGUARD**

Please install the anti-tipping hardware as shown in the drawing.  
This can help to prevent any tipping issues.



**FURNITURE TIPPING RESTRAINT**

**WARNING**

**Injury may result from tipping furniture**

This restraint is not a substitute for proper adult supervision.  
This restraint may provide protection against tipping furniture.

Do not allow children to climb on furniture.

Failure to detach this restraint before moving furniture may  
result in injury and damage