

[1]



[2]



[3,4]



[5]



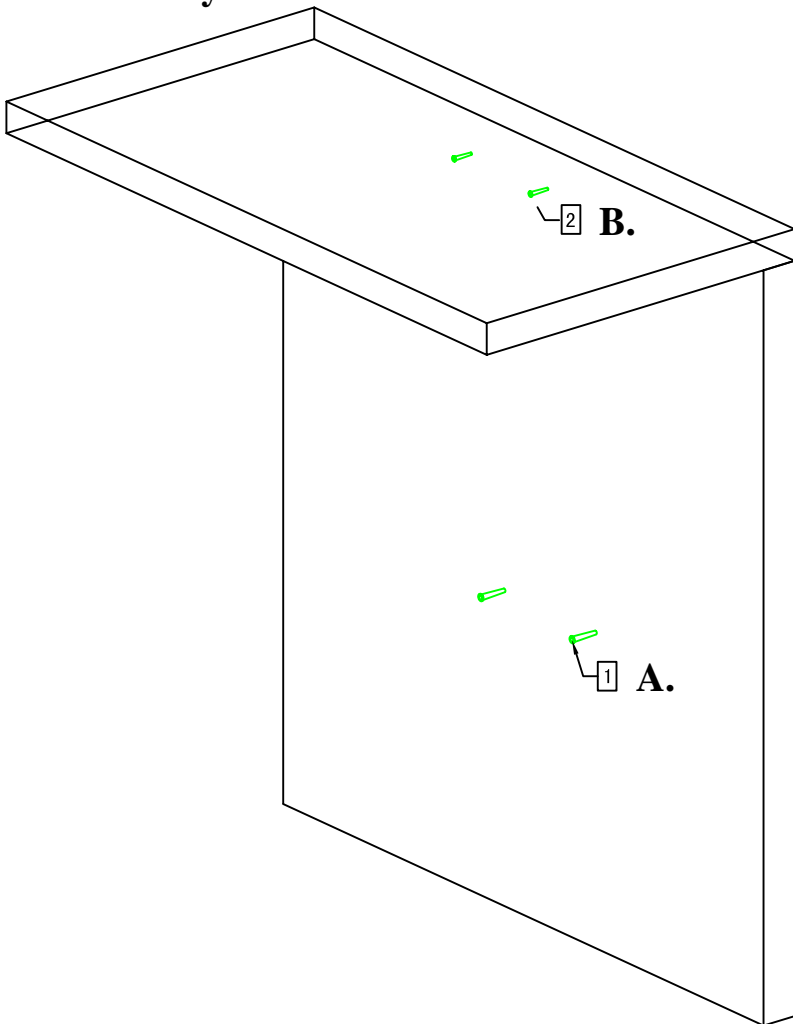
[6]

## Step 1:

**A. Fixing 1 to the wall, 1 is plastic pipe for screw, which is for fixing the body**

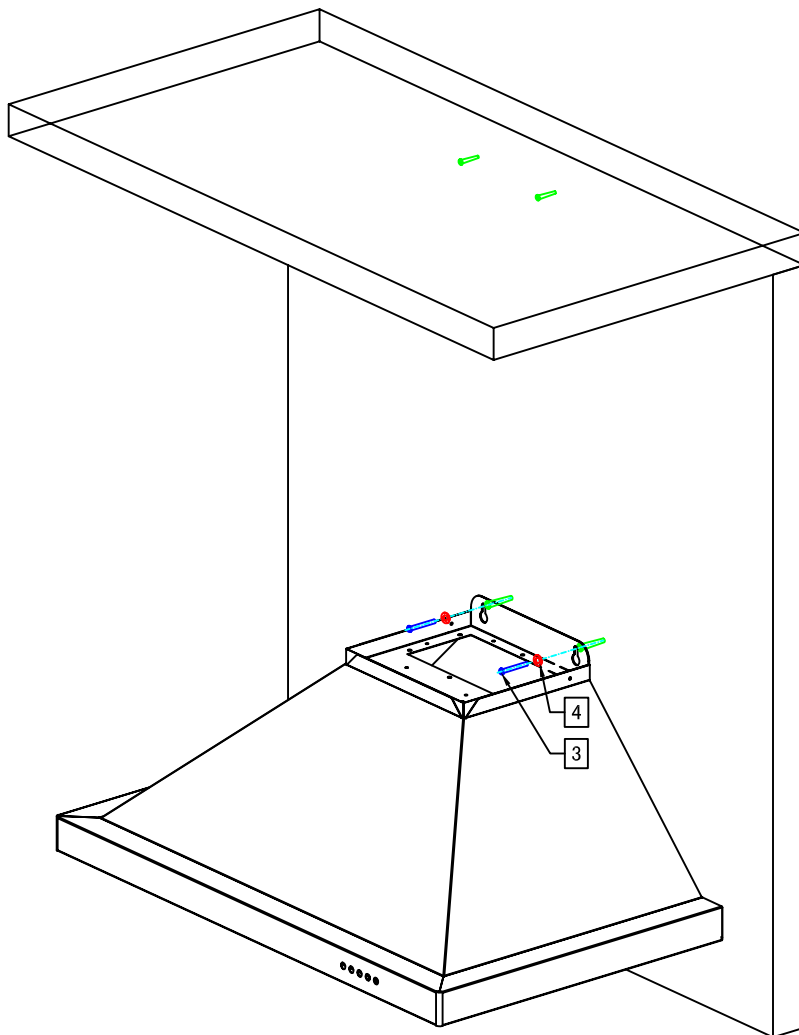
**B. Fixing 2 to the wall, 2 is plastic pipe for screw, which is for fixing chimney**

**C. The distance between 1 & 2 is depend on extent of chimney**



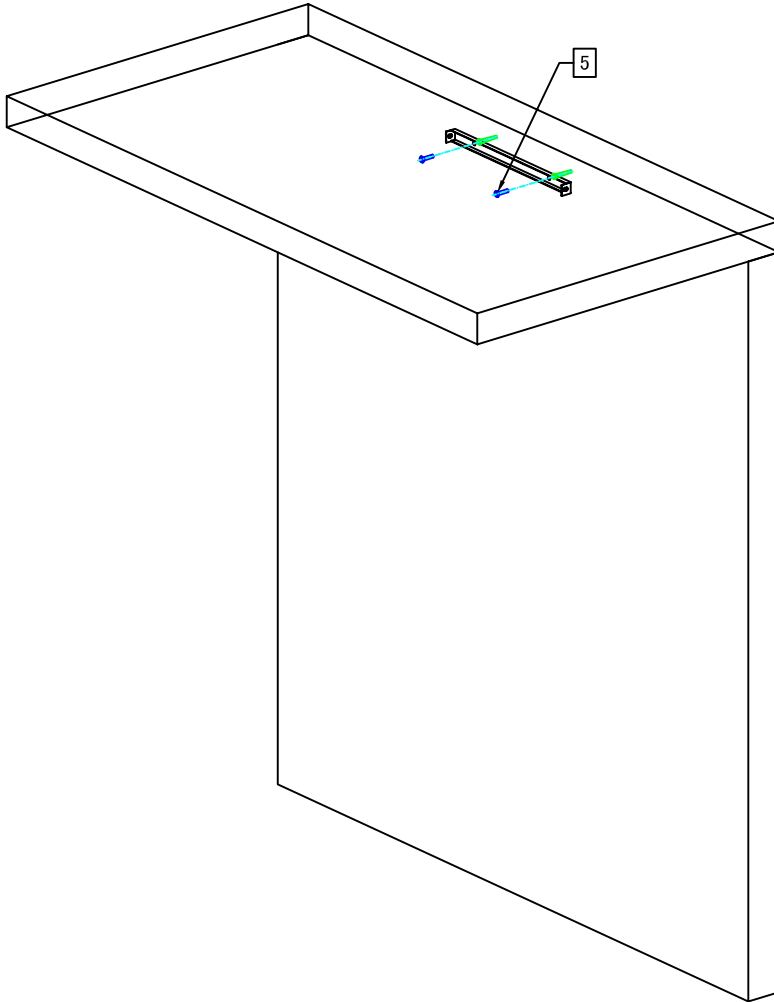
## Step 2:

Using 3 & 4 to fix body on the wall



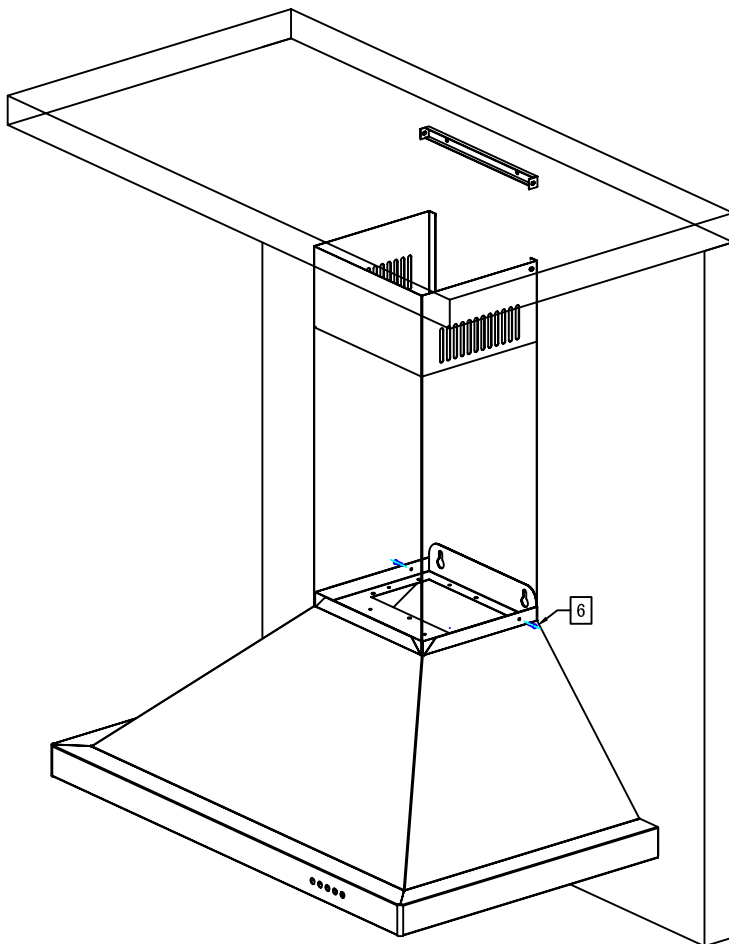
### Step 3:

Using 5 to fix bar of chimney on the wall



## Step 4:

Using 6 to fix out chimney to the body



## Step 5:

Using 6 again to fix inner chimney of the bar

