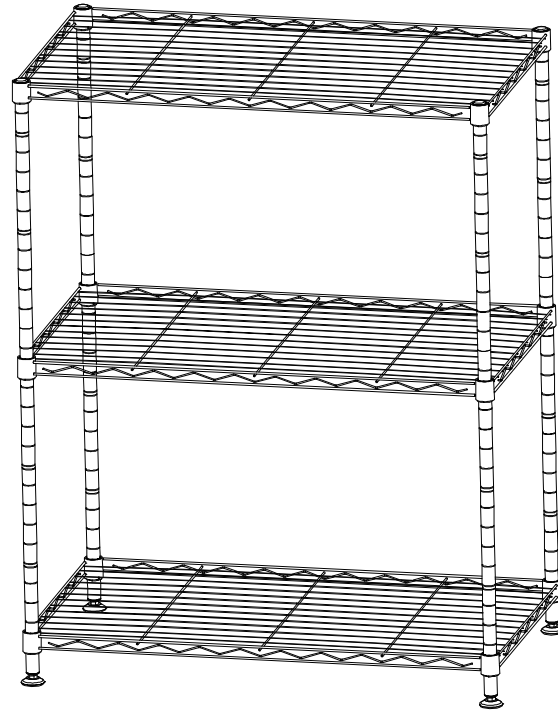
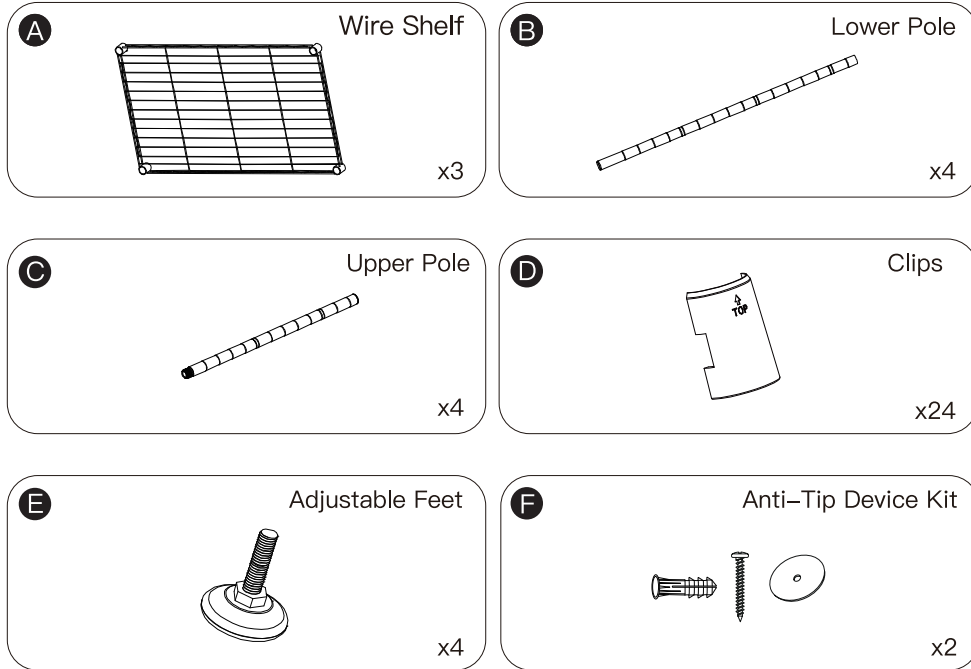


ASSEMBLY INSTRUCTION



Please check all parts and accessories according to the parts list before assembling, make sure all contents are sufficient and in good condition. If there is any parts missing or defective, please contact us immediately with purchase platform message to get replacement parts.

PARTS:



Attention: For your safety, we recommend two or more people to install it together.

NOTICE:

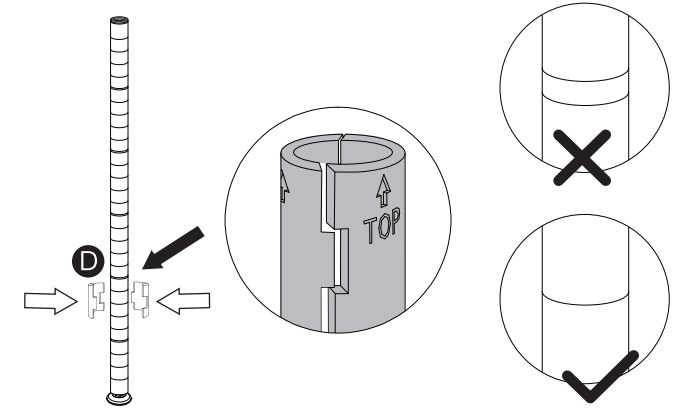
There is a gap between 2PCS plastic clips assembled onto the poles as shown in the picture, this is a structural design rather than a quality issue, which aims to bind the shelves firmly onto the pole.

NOTICE:

This part is only for protection when delivery only, don't need it when installation.

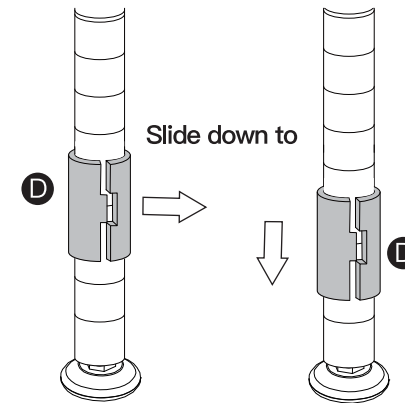


1.Lock 2 Clips (part **D**) together to the poles.



NOTICE: DO NOT lock the clips on double groove.

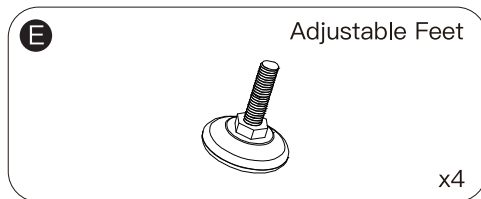
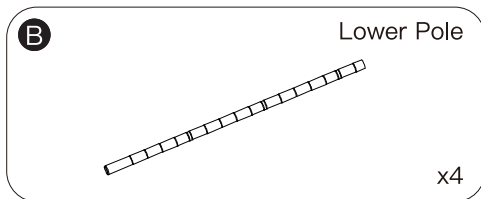
2.Then slide them down to the height of Wire Shelves should be.(Once you hear the “ting” sound, it’s perfectly locked.)



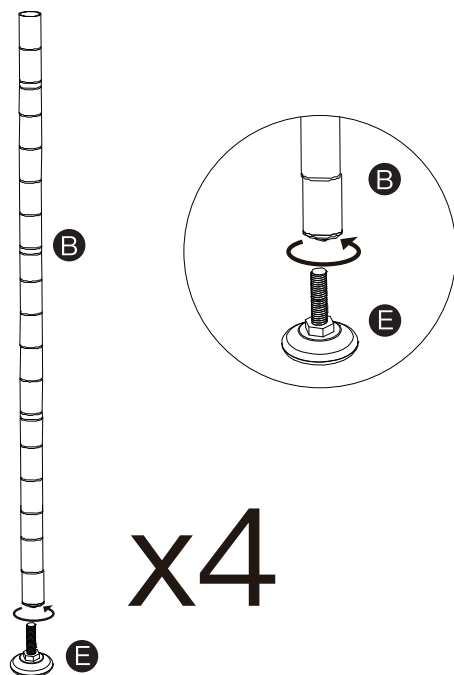
NOTICE: Every Clip (Part **D**)installing in same step must be at the same height.

HOW TO INSTALL

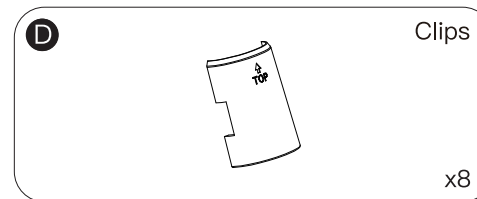
STEP 1



NOTICE:
Please install on flat ground.

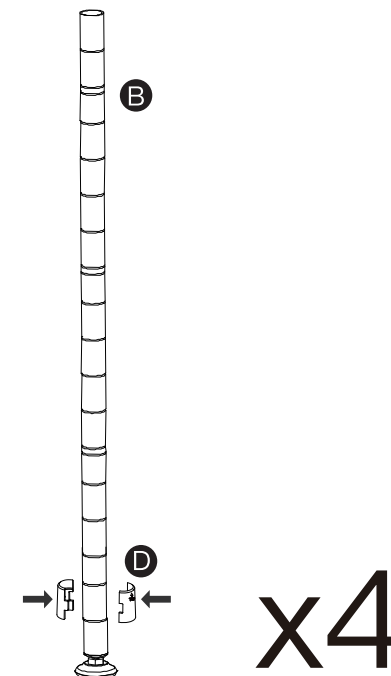


STEP 2

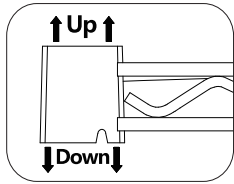
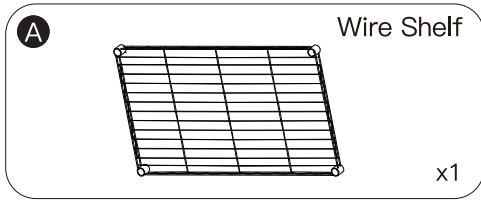


NOTICE:

1. Please install the clips as lower as possible to ensure the shelf is closer to the ground for better stability.
2. Plastic Clips' arrow shall be pointed up.

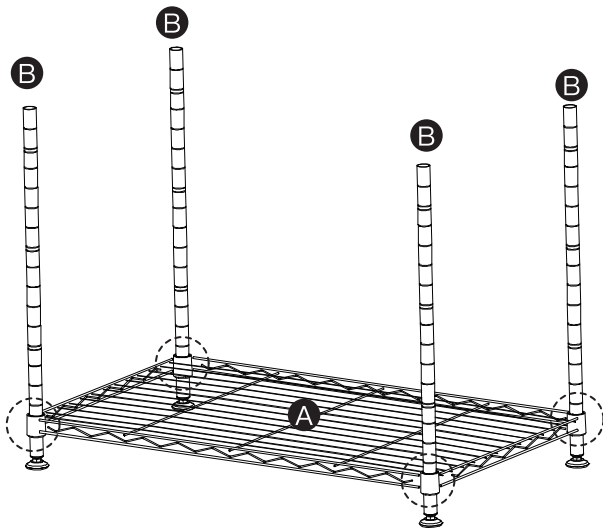
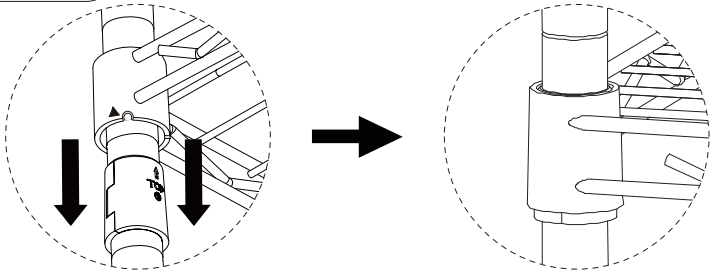


STEP 3

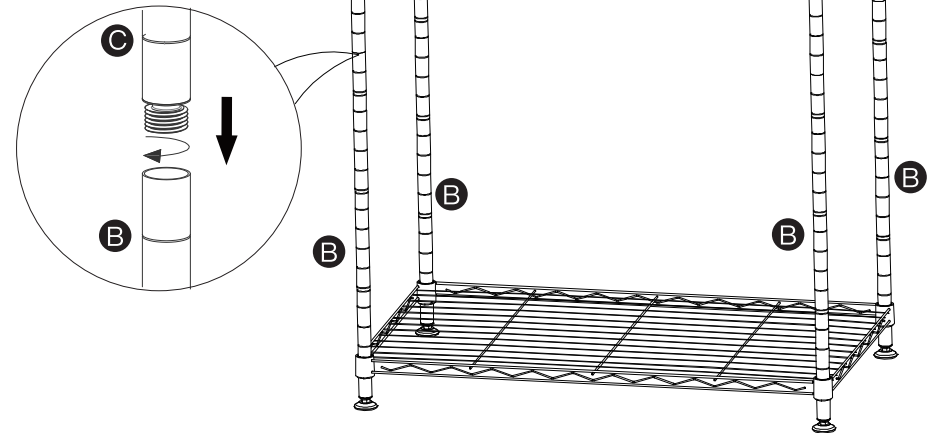
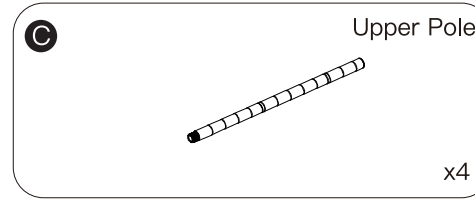


NOTICE:

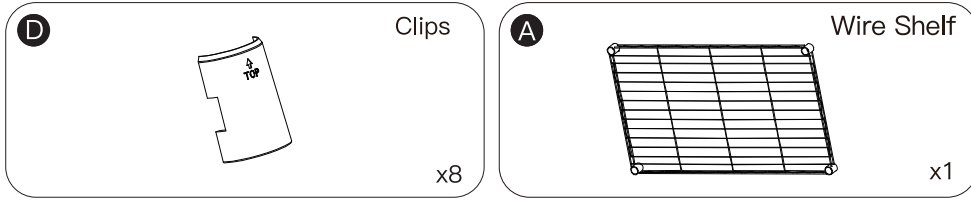
1. Keep the gap in collar face downwards.
2. Make sure the steel shelf is fully knocked as shown.



STEP 4

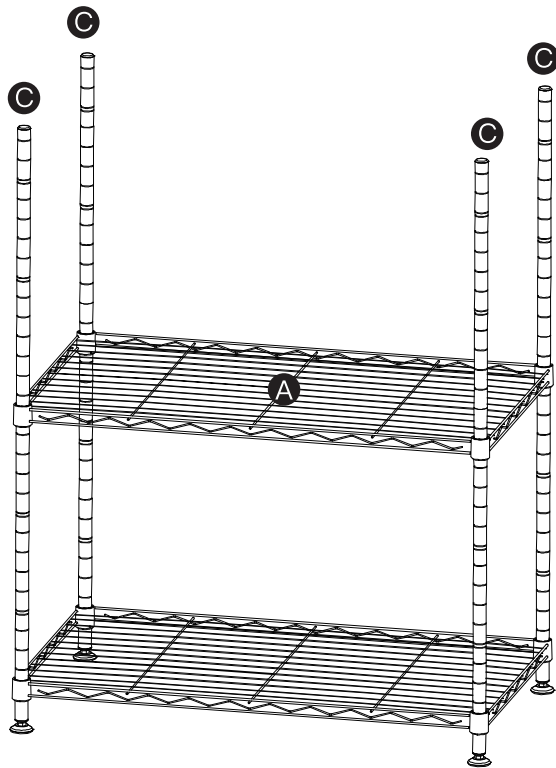


STEP 5

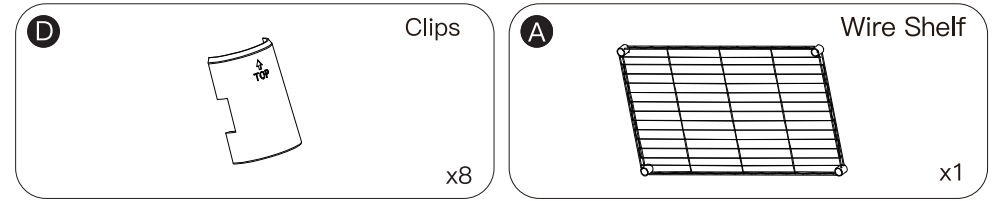


NOTICE:

Please refer to steps 2 and 3 to complete the 2nd layer, knock them tight after installing.

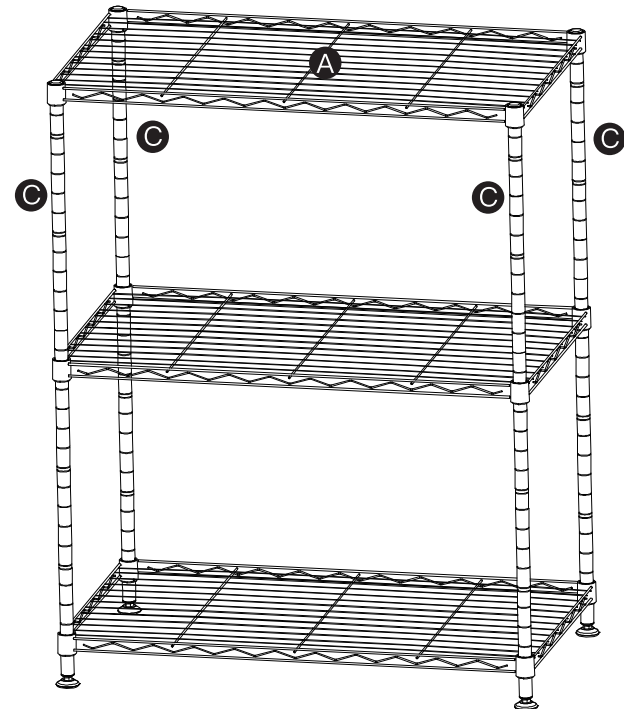


STEP 6

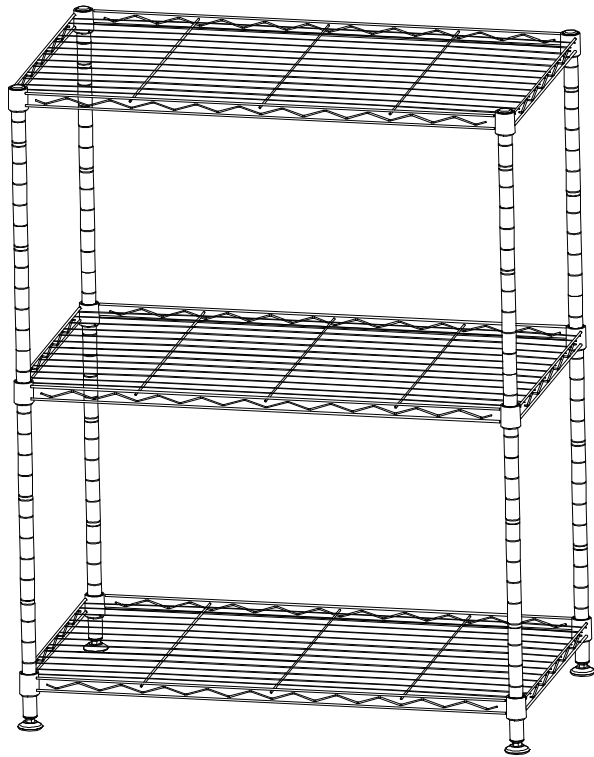


NOTICE:

Please refer to steps 2 and 3 to complete the final layer, knock it tight after installing.



STEP 7

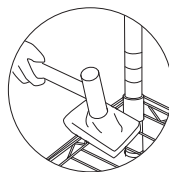


REMARK :

After each shelf is assembled, please put a piece of cloth on shelf and hit it several times with a tool (eg. A rubber mallet) to ensure more stability.

Note:

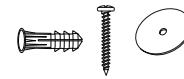
The rubber mallet is not included on the package.



STEP 8

F

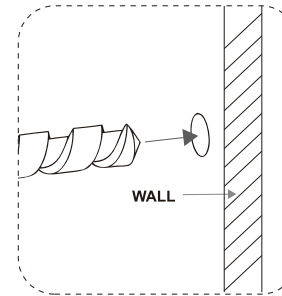
Anti-Tip Device Kit



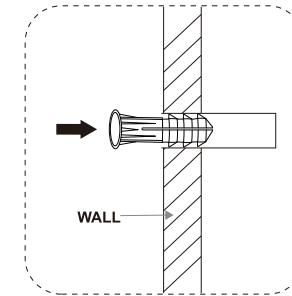
x2

NOTICE:

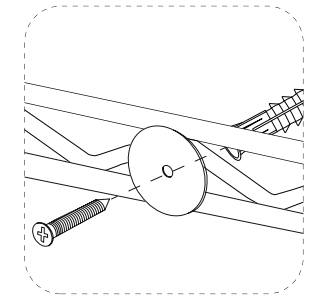
1. For the safety of you and your family, it is necessary to install Anti-Tip Kit.
2. Before installing the Anti-Tip Device Kit, please mark the location of bolt hole.



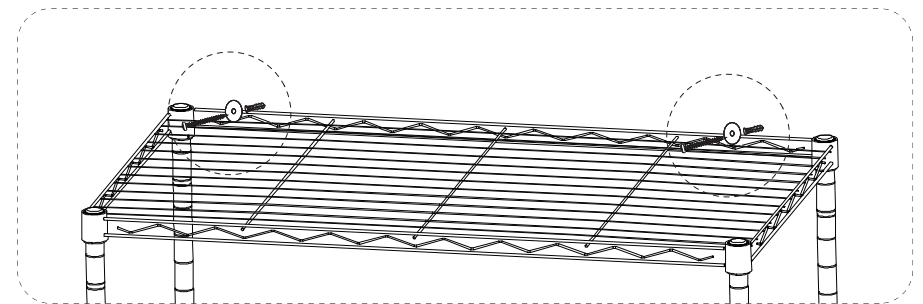
(1) Drill holes at marked location.



(2) Press the protective bolts in the wall.



(3) Fix the safety lock on the wall with bolts & shims.



(4) For better overall stability, please keep the distance between 2 Anti-Tip Device Kit as further as possible.

AFTERSALE SERVICE

Dear Customer,

Thanks a lot for purchasing our products, and we deeply appreciate your support and confidence.

We are committed to building a reliable, responsible, and high-quality brand. To achieve this goal, we will always maintain a responsible attitude towards our products and our customers.

If you have any questions about the product or the content of the manual, please contact our customer service team through the original purchase platform any time. Our customer service team will help you as soon as possible after receiving your query.

Thank you once again for choosing us, your comfort and satisfaction are of utmost importance.

Best regards,

Customer Service Team