

PLEASE KEEP ME WITH YOUR PROOF OF PURCHASE FOR FUTURE REFERENCE



## ASSEMBLY INSTRUCTIONS

### Dubai Casual Dining Chair

(69020012)










#### ATTENTION:

1. Please read these instructions carefully before assembly
2. Aluminium is a soft metal and over tightening may strip the thread or break the part
3. **DO NOT** use power tools
4. Please allow 30 minutes for assembly.
5. Although assembly only requires 1 person it is advised that a second person be present to help turn the chair over and into position when fully assembled

#### ASSEMBLY STEPS:

1. Turn the chair (A) upside down on a soft clean surface
2. **LOOSELY** attach Seating panel (B) to the chair (A) with 4 bolts (F), 2 bolts (G) and 6 big flat washers (H) using Allen key (I)
3. **LOOSELY** attach 2 legs (C) to Chair (A) with 6 bolts (G) and 6 big flat washers (H) using Allen key (I) **DO NOT TIGHTEN THE BOLTS AT THIS STAGE**
4. Tighten all bolts using Allen key (I) one by one being careful not to over tighten any as this will cause the thread to become damaged
5. Turn Chair over and place in desired position.
6. Place all cushions (D & E) on the chair

For more information regarding maintenance of your furniture please visit [www.hartmanuk.com](http://www.hartmanuk.com)

Component's					Fixings				
Parts List	Parts Picture	Description	Q'ty	Part no	Parts list	Parts Picture	Description	Q'ty	Part no.
A		chair	1	69020012A	F		M6*35 bolts	4	1111162
					G		M6*25 bolts	8	1231162
B		Seating panel	1	69020012B	H		Big Flat washers	12	1061162
C		Leg	2	69020012C	I		Allen Key	1	2002191
D		Seat cushion	1	69020012D					
E		Back cushion	1	69020012E					

For replacement or lost spare parts please go to <http://faq.hartmanuk.co.uk/spares/>

**Should you have any queries about your furniture your first point of contact should be the retailer from whom you purchased your product**

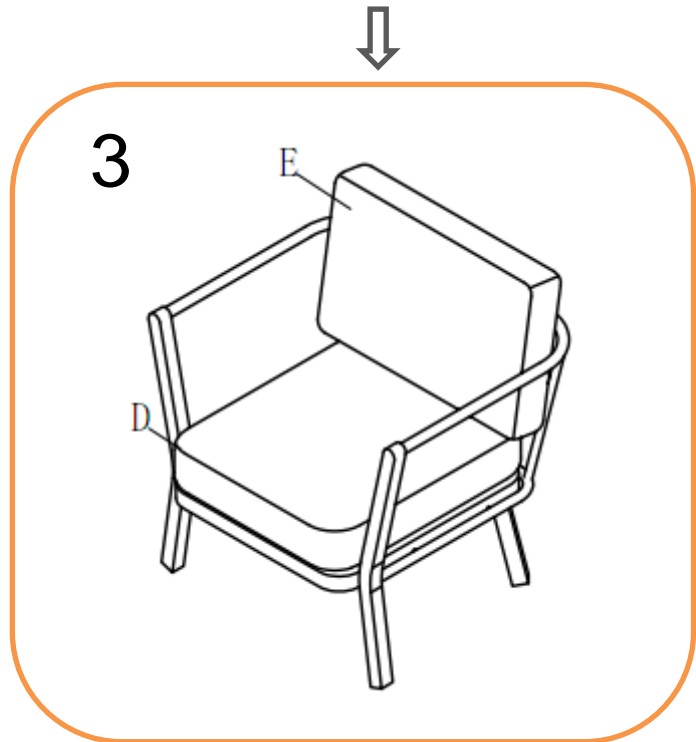
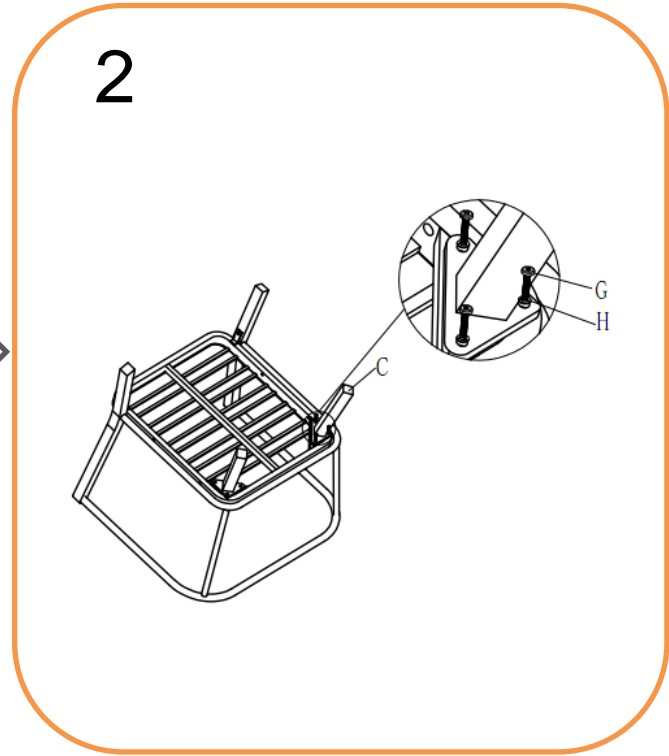
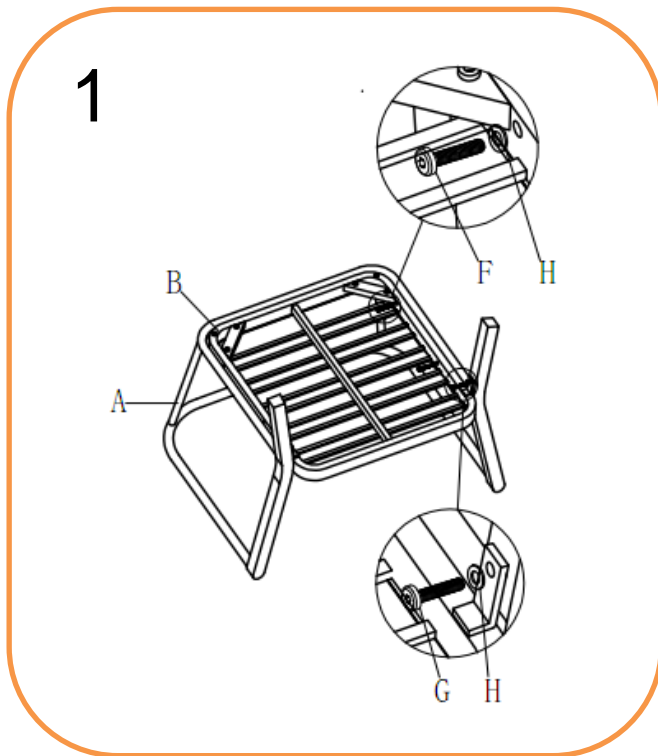
PLEASE KEEP ME WITH YOUR PROOF OF PURCHASE FOR FUTURE REFERENCE



**ASSEMBLY INSTRUCTIONS**

**Dubai Casual Dining Chair**

( 69019012 / 69020012 / 69119012 / 69121012 )



For replacement or lost spare parts please go to <http://faq.hartmanuk.co.uk/spares/>  
**Should you have any queries about your furniture your first point of contact should be the retailer from whom you purchased your product**