

Wooden Chair



Before You Start

- ⚠ Please read all instructions carefully.
- ⚠ Retain instructions for future reference.
- ⚠ Separate and count all parts and hardware.
- ⚠ Read through each step carefully and follow the proper order.
- ⚠ We recommend that, where possible, all items are assembled near to the area in which they will be placed in use, to avoid moving the product unnecessarily once assembled.
- ⚠ Always place the product on a flat, steady and stable surface.
- ⚠ Keep all small parts and packaging materials for this product away from babies and children as they potentially pose a serious choking hazard.



Return / Damage Claim Instructions

- ⚠ **DO NOT discard the box / original packaging.**
In case a return is required, the item must be returned in original box. Without this your return will not be accepted.
- ⚠ **Take a photo of the box markings.**
A photo of the markings (text) on the side of the box is required in case a part is needed for replacement. This helps our staff identify your product number to ensure you receive the correct parts.
- ⚠ **Take a photo of the damaged part (if applicable).**
A photo of the damage is always required to file a claim and get your replacement or refund processed quickly. Please make sure you have the box even if it is damaged.
- ⚠ **Send us an email with the images requested.**
Email us directly from marketplace where your item was purchased with the attached images and a description of your claim.

Part List

① x1



Seat Slat

② x1



Seat

③ x1



Left Leg

④ x1



Right Leg

⑤ x1



Backrest

⑥ x1



Left Armrest

⑦ x1



Right Armrest

Hardware list

Ⓐ x4



M4x25

Wood Screw

Ⓑ x13



M6x30

Allen Bolt

Ⓒ x2



M6x60

Allen bolt

Ⓓ x2



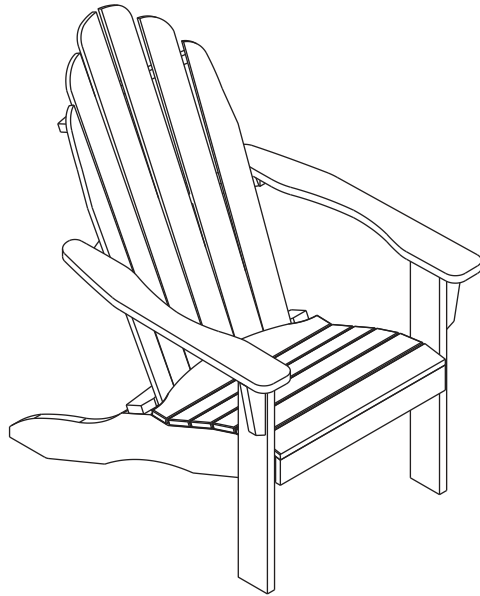
M6

Cross dowel

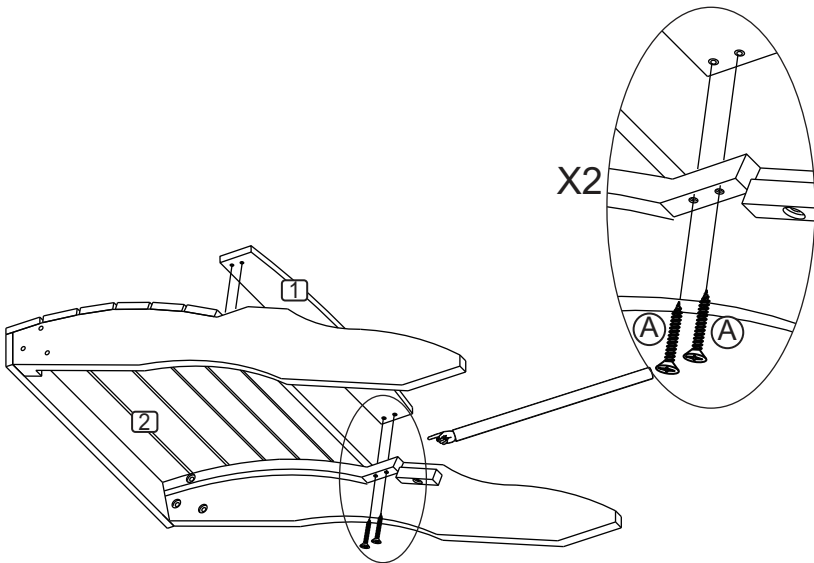
Ⓔ x2



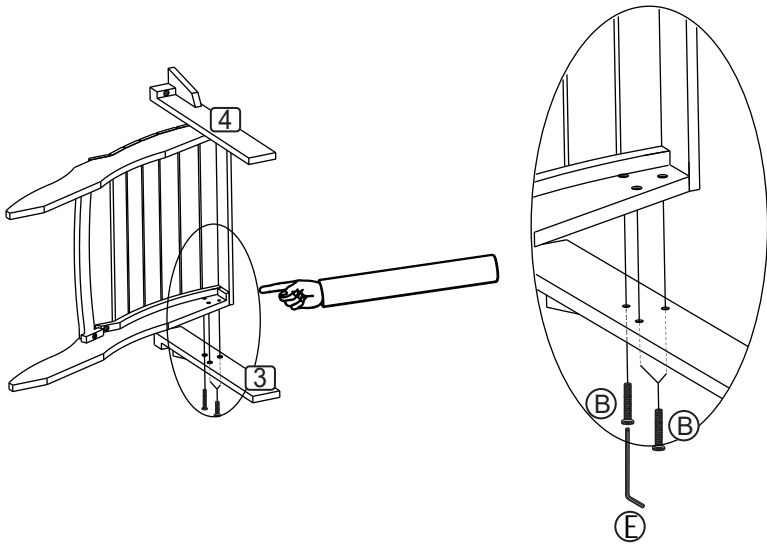
Allen Key



Step 1



Step 2



Step 3

