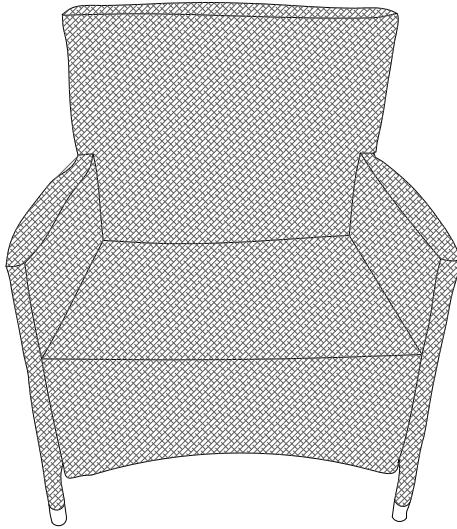


4 PIECE OUTDOOR PATIO CONVERSATION SET WITH PILLOW SET

Thank you for purchasing the **CHAIR!**

Before you start, here is some helpful advice:

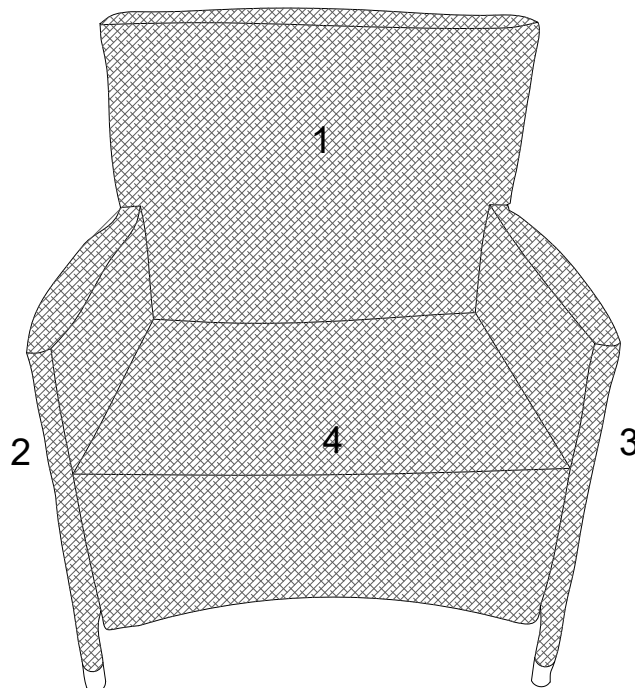
1. We suggest you spend a short time reading through this leaflet and then follow the simple step-by-step instructions.
2. Owing to the size and weight of the chair, we recommend that it is assembled by two adults, on a carpeted or padded area, in the room that it is intended for. Approximate assembly time: 30 minutes.
3. Please do not use any tools other than those provided or recommended in these instructions.
4. Please do not throw away any of the packaging or instructions until you have checked all the components and hardware and the furniture is fully assembled.
5. Assemble all components loosely until advised to tighten. Depending on use, it may be necessary to tighten the components from time to time, so please save the tools that have been provided.
6. Please keep all pieces out of reach of children.



Hardware:

A		Bolt	x 8
B		Flat Washer	x 8
D		Allen Wrench	x 1

Component:



1	Chair Back	x1	2	Left Leg	x1	3	Right Leg	x1	4	Seat Frame	x1
---	------------	----	---	----------	----	---	-----------	----	---	------------	----

STEP 1:

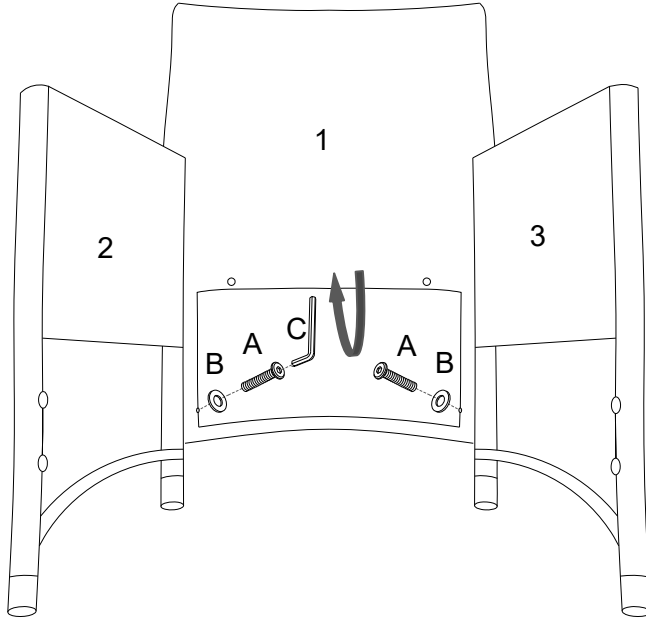
Put **Chair Back (1)** upside down on a carpeted or padded area as shown.

Attach **Left Leg (2)** to **Chair Back (1)** by using 1 piece of **Bolt (A)** with 1 piece of **Flat Washer (B)** as shown.

Use **Allen Wrench (C)** to tighten **Bolt (A)**.

Repeat the same steps for **Right Leg (3)**.

Do not fully tighten **Bolts (A)** at this step.



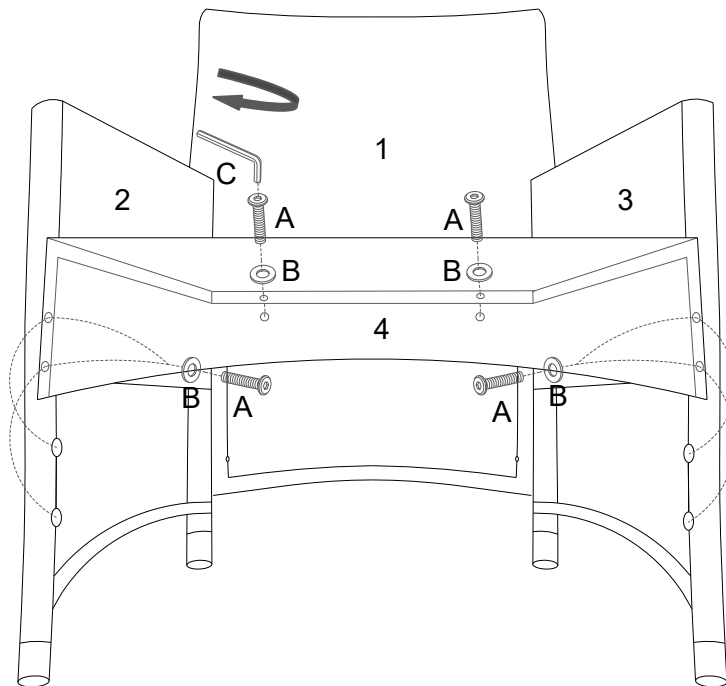
Ax2	Bx2	Cx1

Hardware & Tool required

STEP 2:

Attach **Seat Frame (4)** to **Chair Back (1)**, **Left Leg (2)**, and **Right Leg (3)** by using 6 pieces of **Bolt (A)** with 6 pieces of **Flat Washer (B)** through the bottom of **Seat Frame (2)** as shown.

Use **Allen Wrench (C)** to tighten all the **Bolts (A)** clockwise until secure.

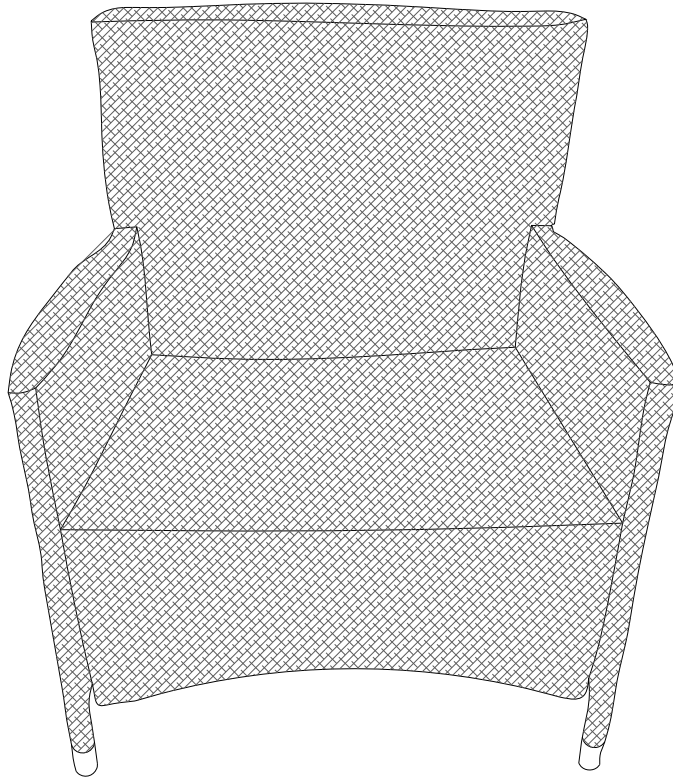


Ax6	Bx6	Cx1

Hardware & Tool required

STEP 3:

Carefully turn over the assembled chair as shown.

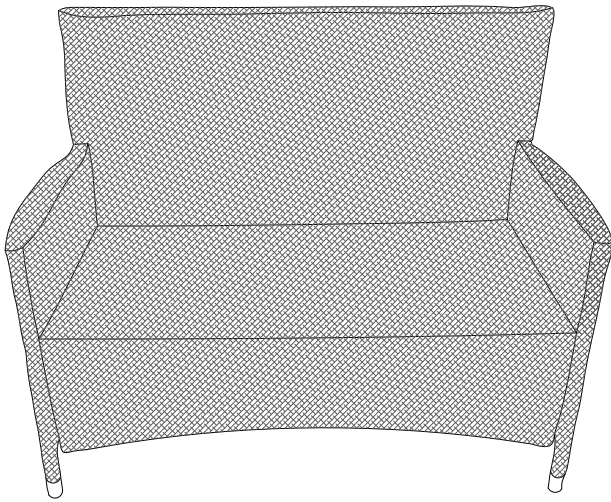


Assembly is completed. The chair is ready to enjoy now!




Thank you for purchasing the **LOVESEAT!**

Before you start, here is some helpful advice:

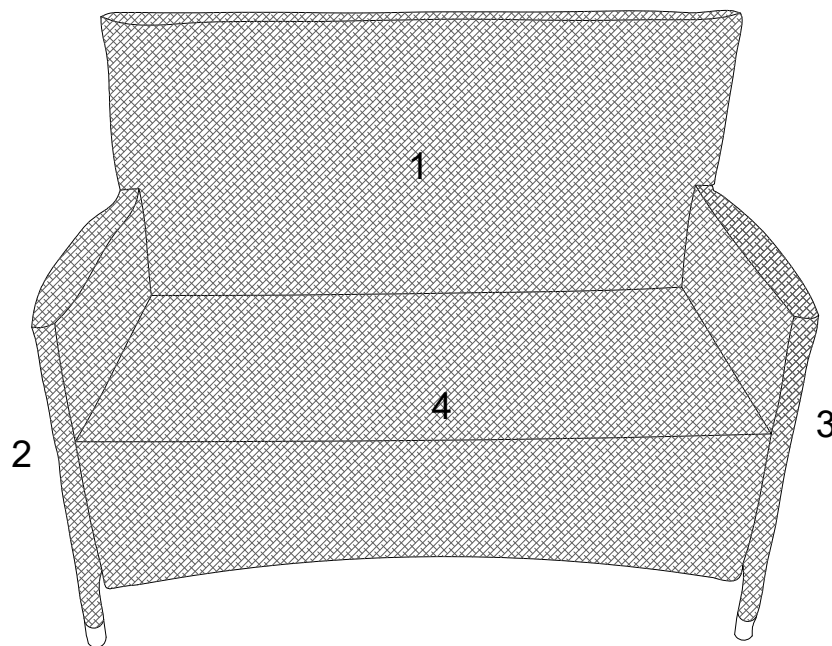
1. We suggest you spend a short time reading through this leaflet and then follow the simple step-by-step instructions.
2. Owing to the size and weight of the loveseat, we recommend that it is assembled by two adults, on a carpeted or padded area, in the room that it is intended for. Approximate assembly time: 30 minutes.
3. Please do not use any tools other than those provided or recommended in these instructions.
4. Please do not throw away any of the packaging or instructions until you have checked all the components and hardware and the furniture is fully assembled.
5. Assemble all components loosely until advised to tighten. Depending on use, it may be necessary to tighten the components from time to time, so please save the tools that have been provided.
6. Please keep all pieces out of reach of children.



Hardware:

A		Bolt	x 8
B		Flat Washer	x 8
D		Allen Wrench	x 1

Component:



1	Loveseat Back	x1	2	Left Leg	x1	3	Right Leg	x1	4	Seat Frame	x2
---	---------------	----	---	----------	----	---	-----------	----	---	------------	----

STEP 1:

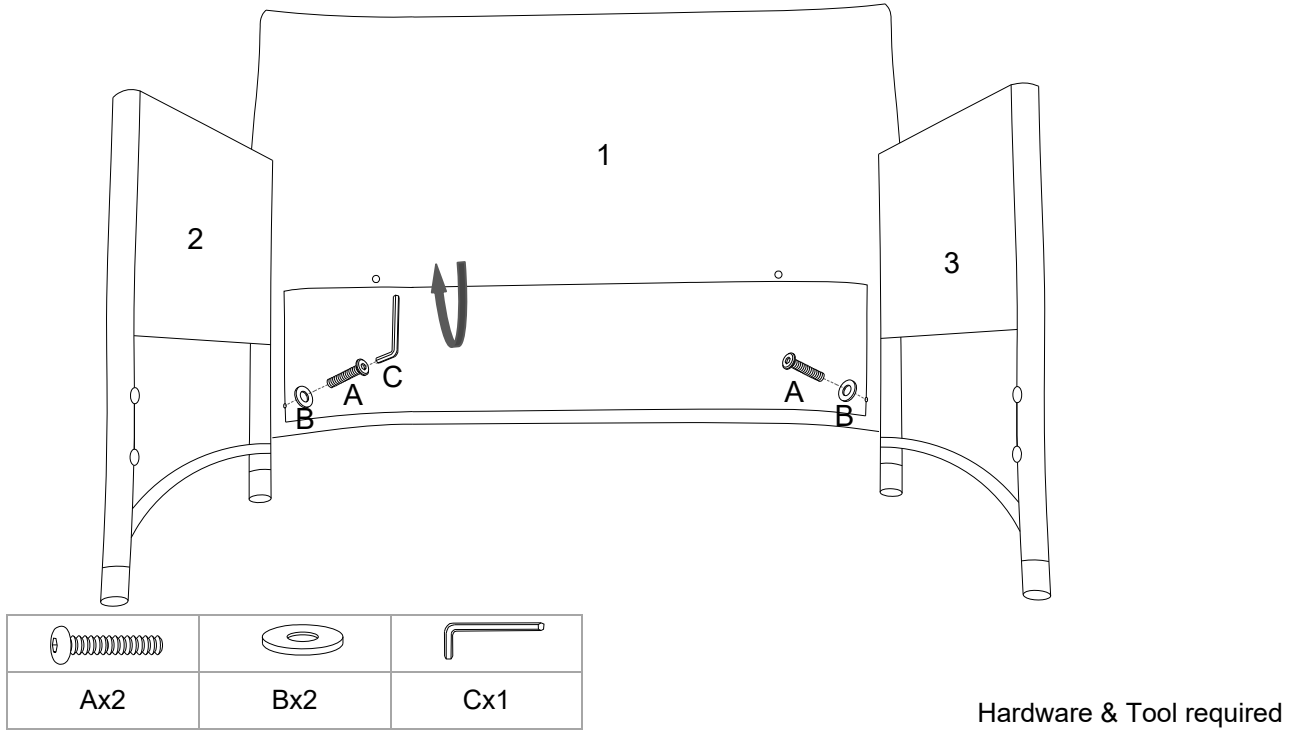
Put **Loveseat Back (1)** upside down on a carpeted or padded area as shown.

Attach **Left Leg (2)** to **Loveseat Back (1)** by using 1 piece of **Bolt (A)** with 1 piece of **Flat Washer (B)** as shown.

Use **Allen Wrench (C)** to tighten **Bolt (A)**.

Repeat the same steps for **Right Leg (3)**.

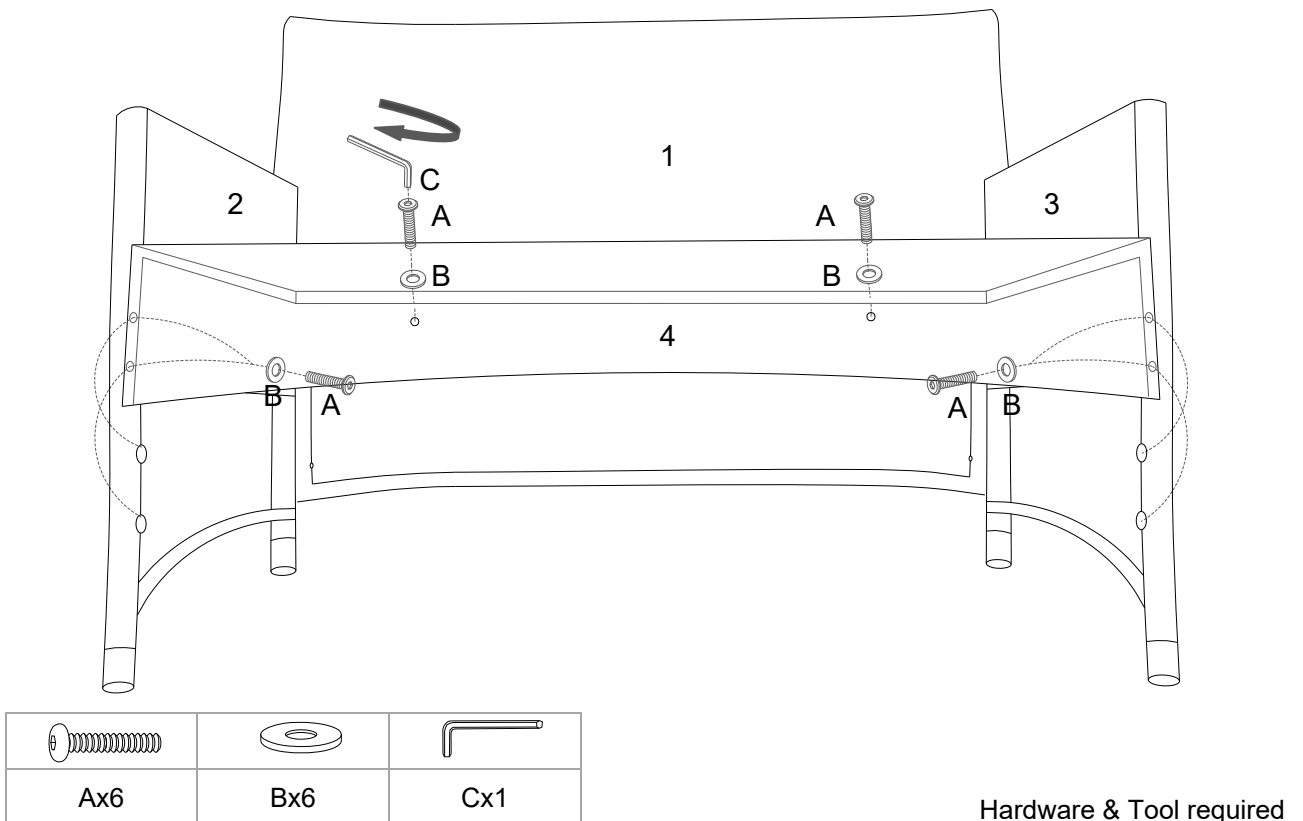
Do not fully tighten **Bolts (A)** at this step.



STEP 2:

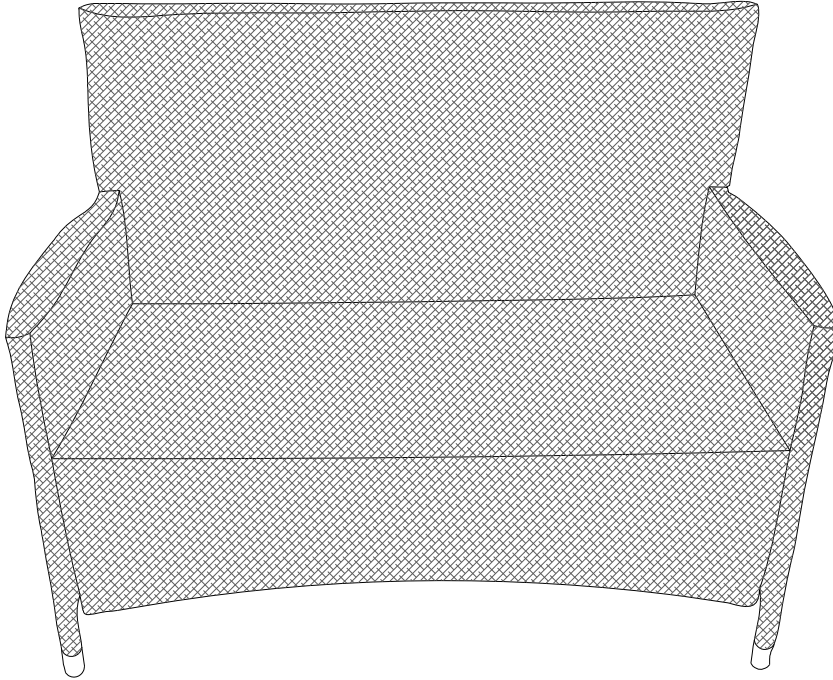
Attach **Seat Frame (4)** to **Loveseat Back (1)**, **Left Leg (2)**, and **Right Leg (3)** by using 6 pieces of **Bolt (A)** with 6 pieces of **Flat Washer (B)** through the bottom of **Seat Frame (2)** as shown.

Use **Allen Wrench (C)** to tighten all the **Bolts (A)** clockwise until secure.



STEP 3:

Carefully turn over the assembled loveseat as shown.

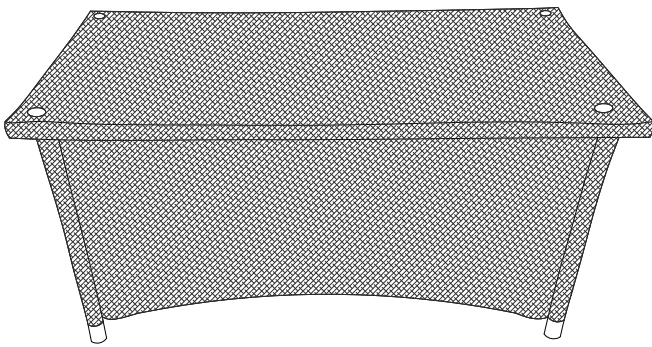


Assembly is completed. The loveseat is ready to enjoy now!




Thank you for purchasing the **TABLE!**

Before you start, here is some helpful advice:

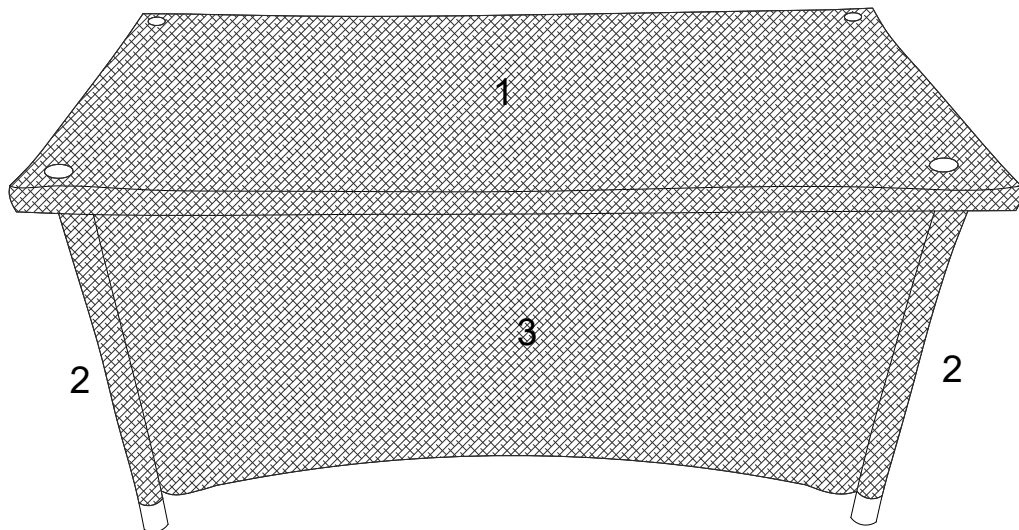
1. We suggest you spend a short time reading through this leaflet and then follow the simple step-by-step instructions.
2. Owing to the size and weight of the table, we recommend that it is assembled by two adults, on a carpeted or padded area, in the room that it is intended for. Approximate assembly time: 30 minutes.
3. Please do not use any tools other than those provided or recommended in these instructions.
4. Please do not throw away any of the packaging or instructions until you have checked all the components and hardware and the furniture is fully assembled.
5. Assemble all components loosely until advised to tighten. Depending on use, it may be necessary to tighten the components from time to time, so please save the tools that have been provided.
6. Please keep all pieces out of reach of children.



Hardware:

A		Bolt	x 12
B		Flat Washer	x 12
D		Allen Wrench	x 1

Component:



1 Table Top x1

2 Leg x2

3 Apron Frame x2

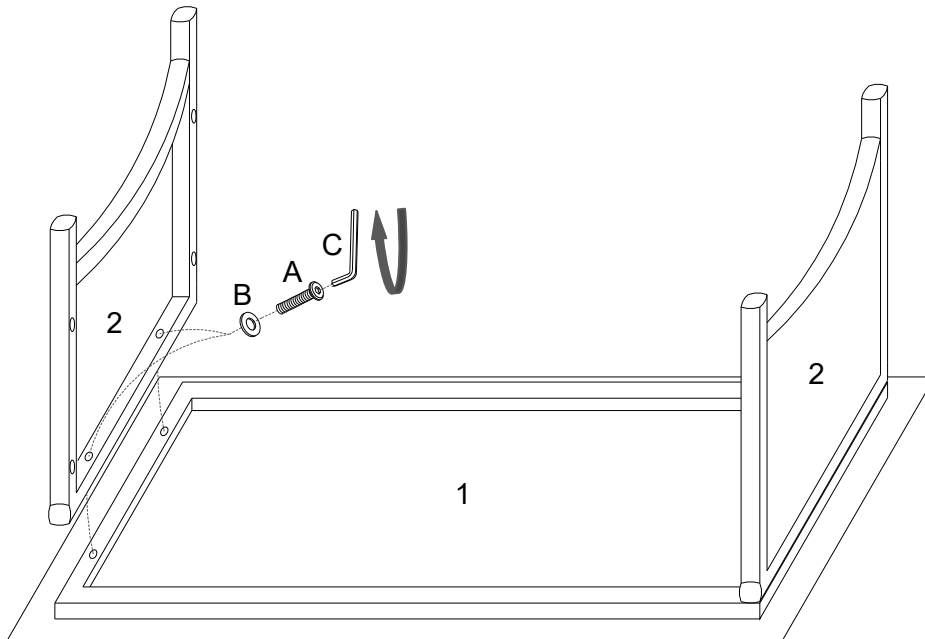
STEP 1:

Put **Table Top (1)** upside down on a carpeted or padded area as shown.

Attach 1 piece of **Leg (2)** to bottom of the **Table Top (1)** by using 1 piece of **Bolt (A)** with 1 piece of **Flat Washer (B)** as shown.

Use **Allen Wrench (C)** to tighten **Bolts (A)**.

Repeat the same steps for the remaining 1 piece of **Leg (2)**.



Ax4	Bx4	Cx1

Hardware & Tool required

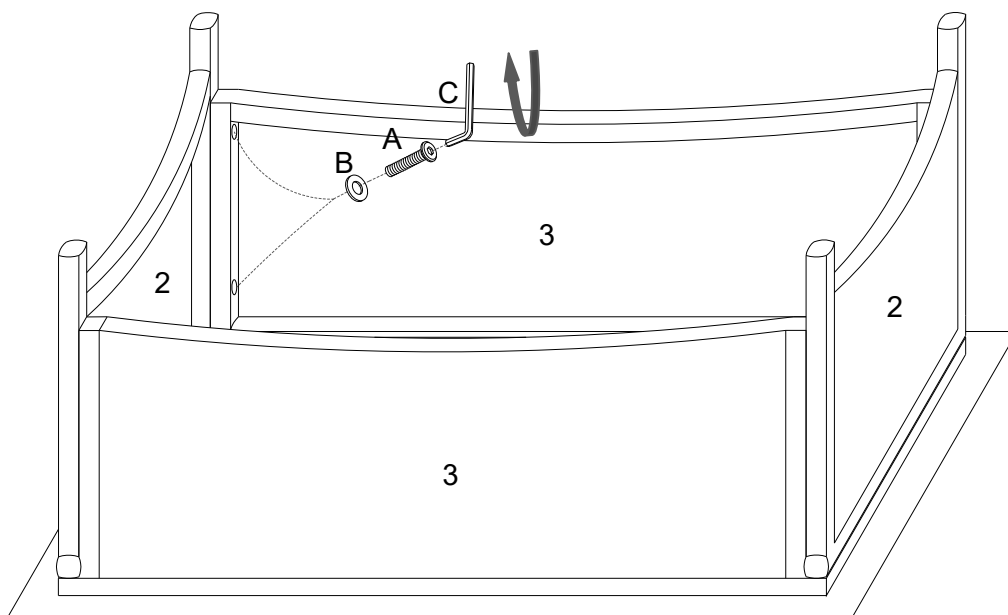
STEP 2:

Place 1 piece of **Apron Frame (3)** to the assembled **Legs (2)** as shown.

Attach by using 4 pieces of **Bolt (A)** with 4 pieces of **Flat Washer (B)** to each end of **Apron Frame (3)** as shown.

Use **Allen Wrench (C)** to tighten **Bolts (A)** clockwise until secure.

Repeat the same steps for the remaining 1 piece of **Apron Frame (3)** to the assembled **Legs (2)**.

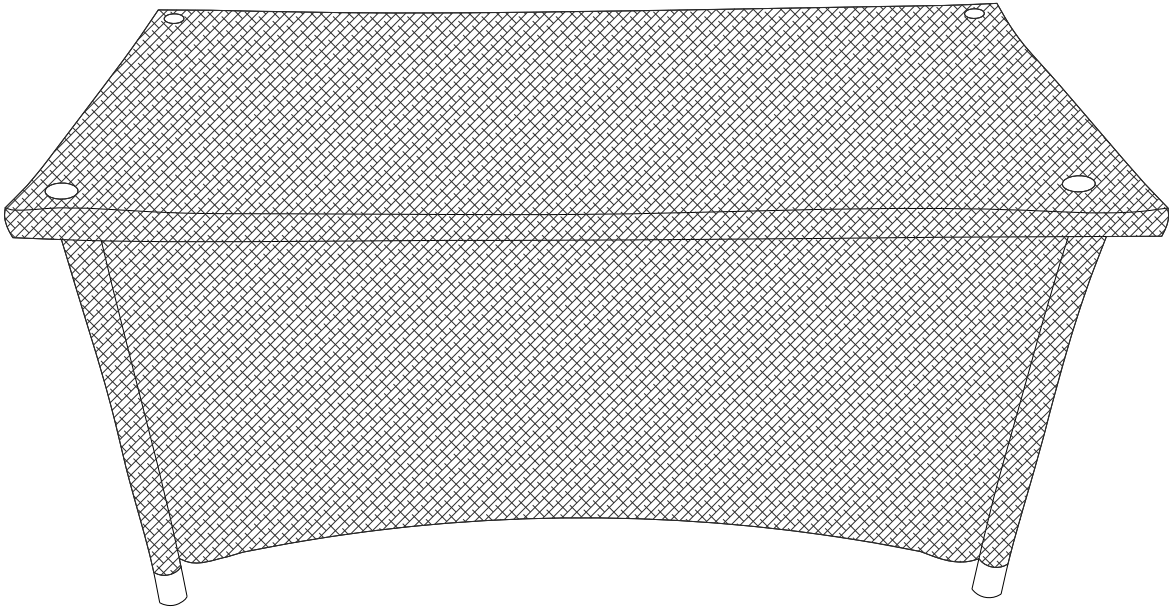


Ax8	Bx8	Cx1

Hardware & Tool required

STEP 3:

Carefully turn over the assembled table as shown.



Assembly is completed. The table is ready to enjoy now!