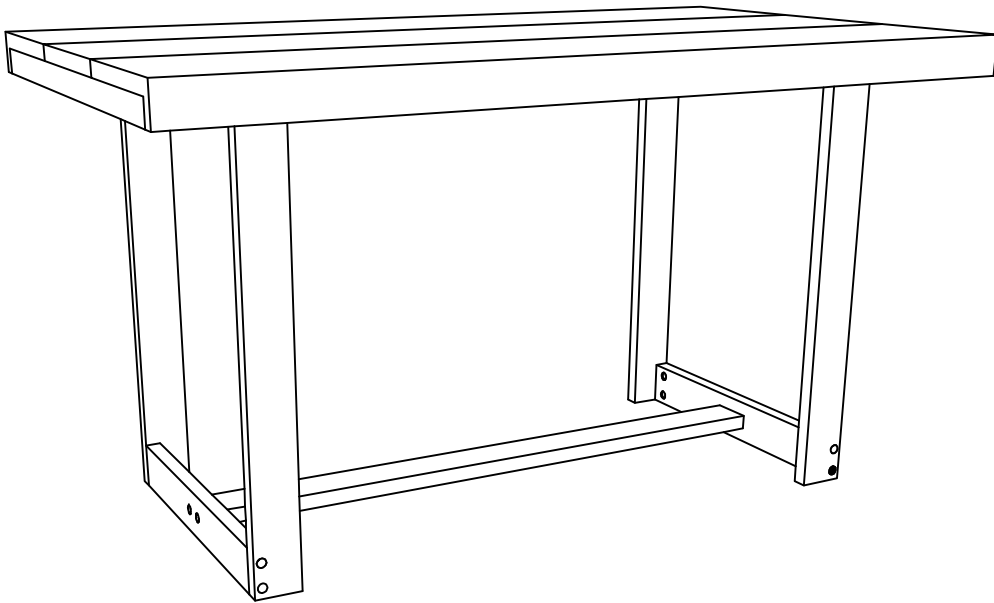

















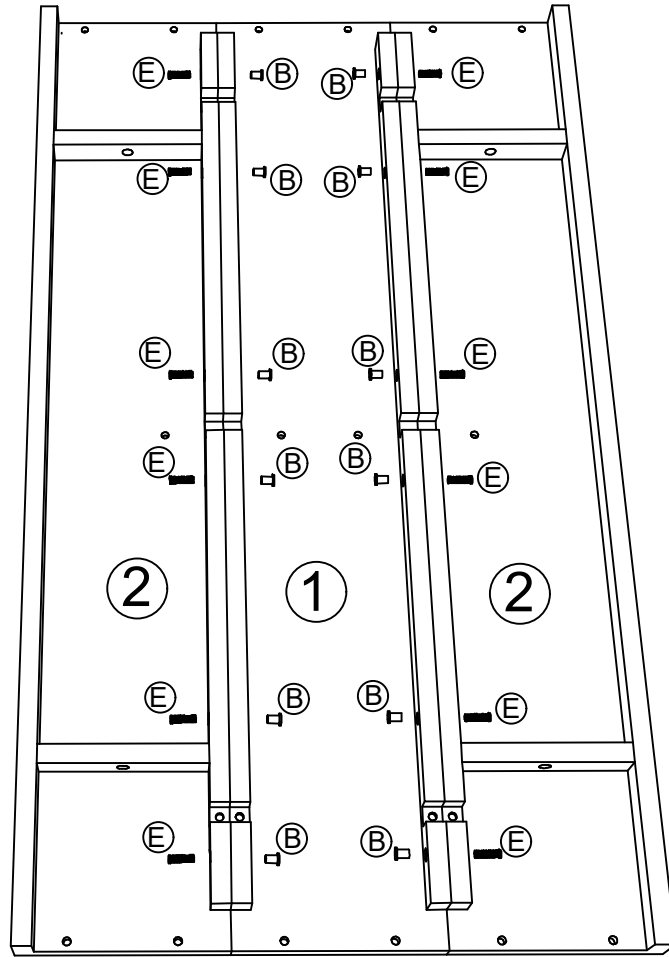
Table



Hardware list

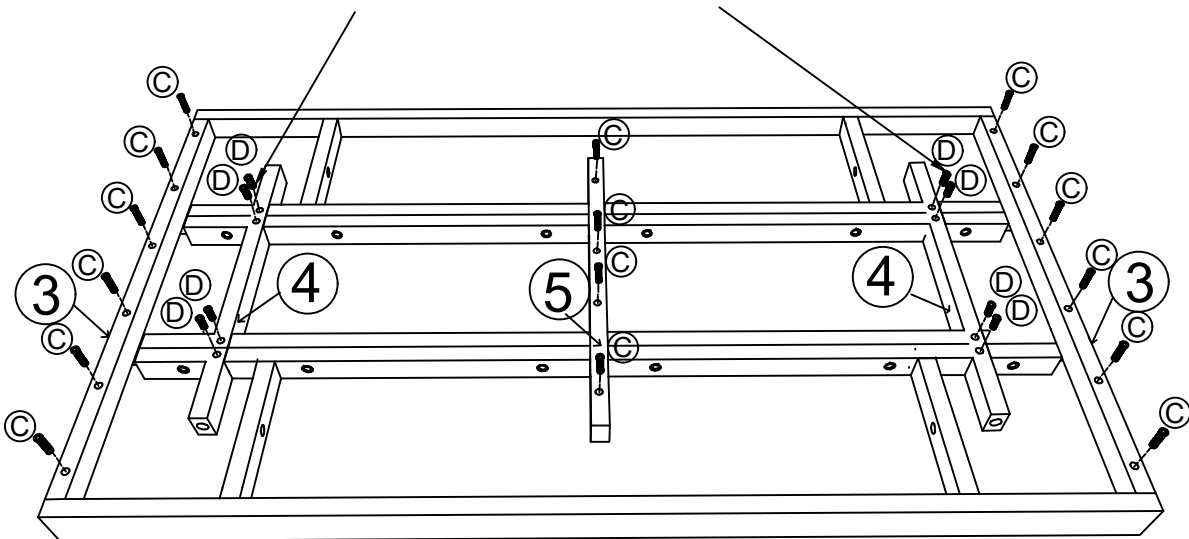
1200*240 		1200*240 		680*40 		440*40 	
①	X1	②	X2	③	X2	④	X2
480*40 		736*80 		560*80 		920*80 	
⑤	X1	⑥	X2	⑦	X2	⑧	X1
736*80 						 M6*45	
⑨	X2	A	X2	B	X12	C	X28
 M6*30		 M6*25					
D	X8	E	X20	F	X12		

Step 1

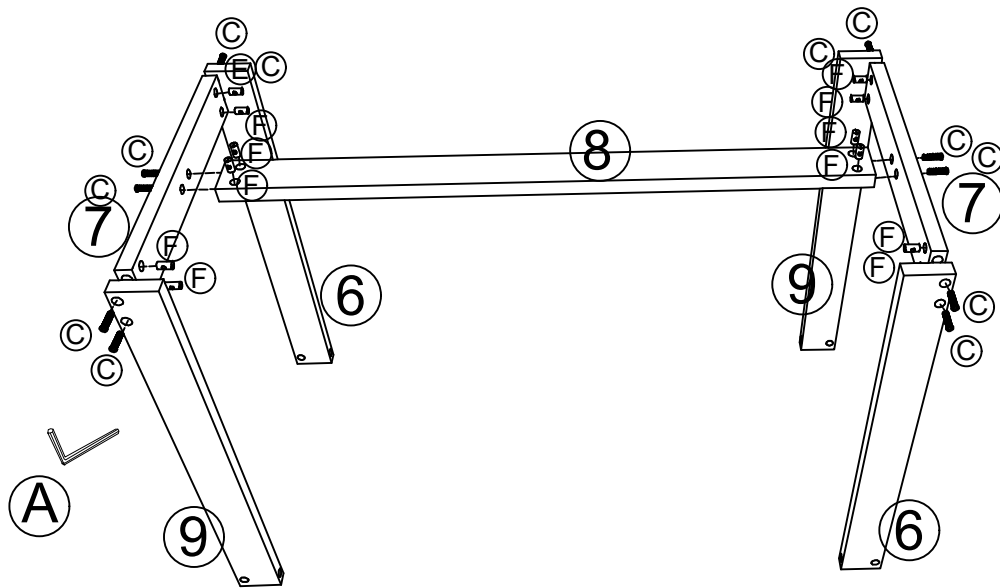


Step 2

Please do not tighten this screw. After installing the table legs, it is necessary to adjust the position slightly when connecting them to the table legs



Step3



Step4

Note that this is a directional distinction, with the large hole in the middle of the wooden board facing outward

