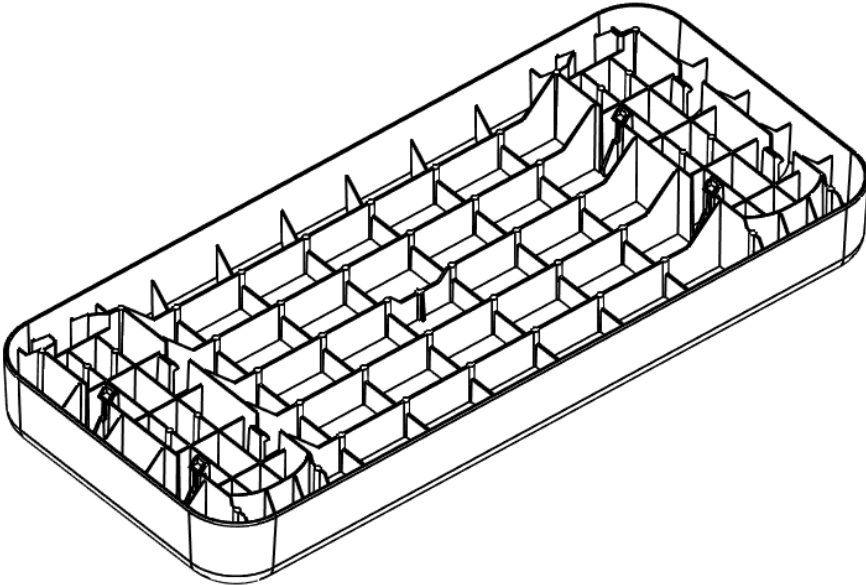
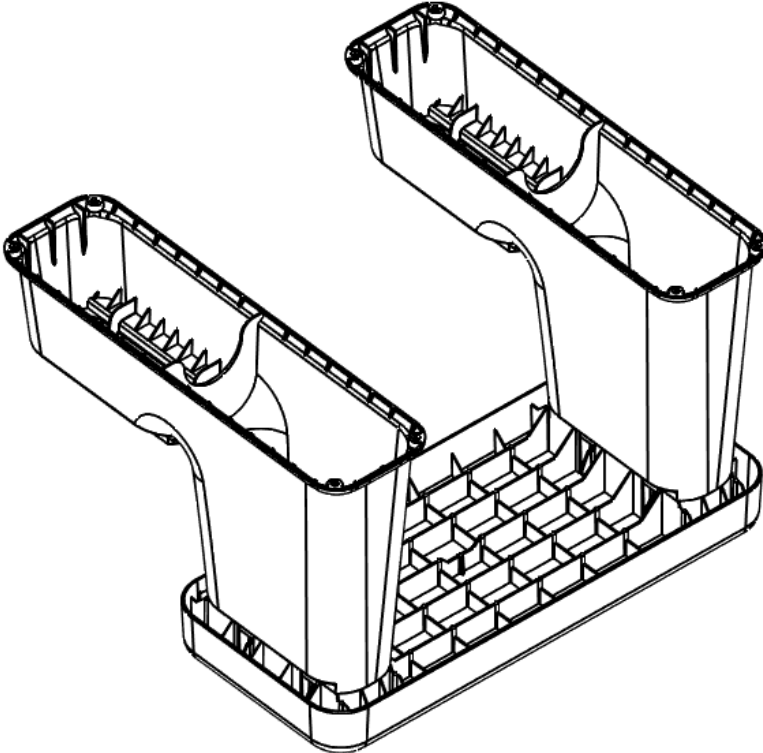


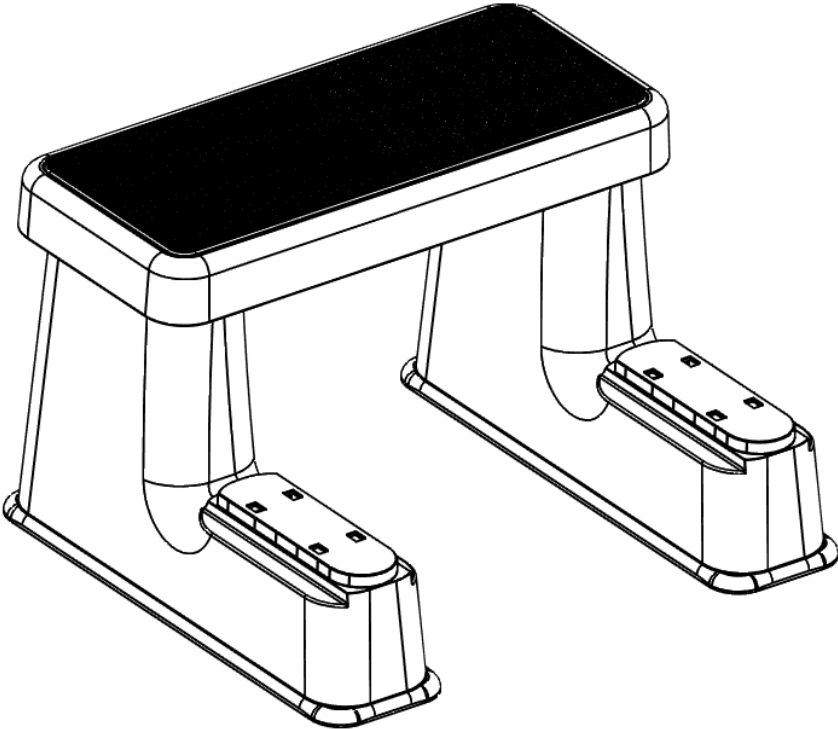
1; Lay a stair up side down on a soft surface



2; Mount the legs with the snap hooks



3; Erect the Spastep/Wellistep.



4; Place the first stair at its position.

