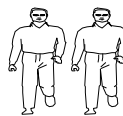
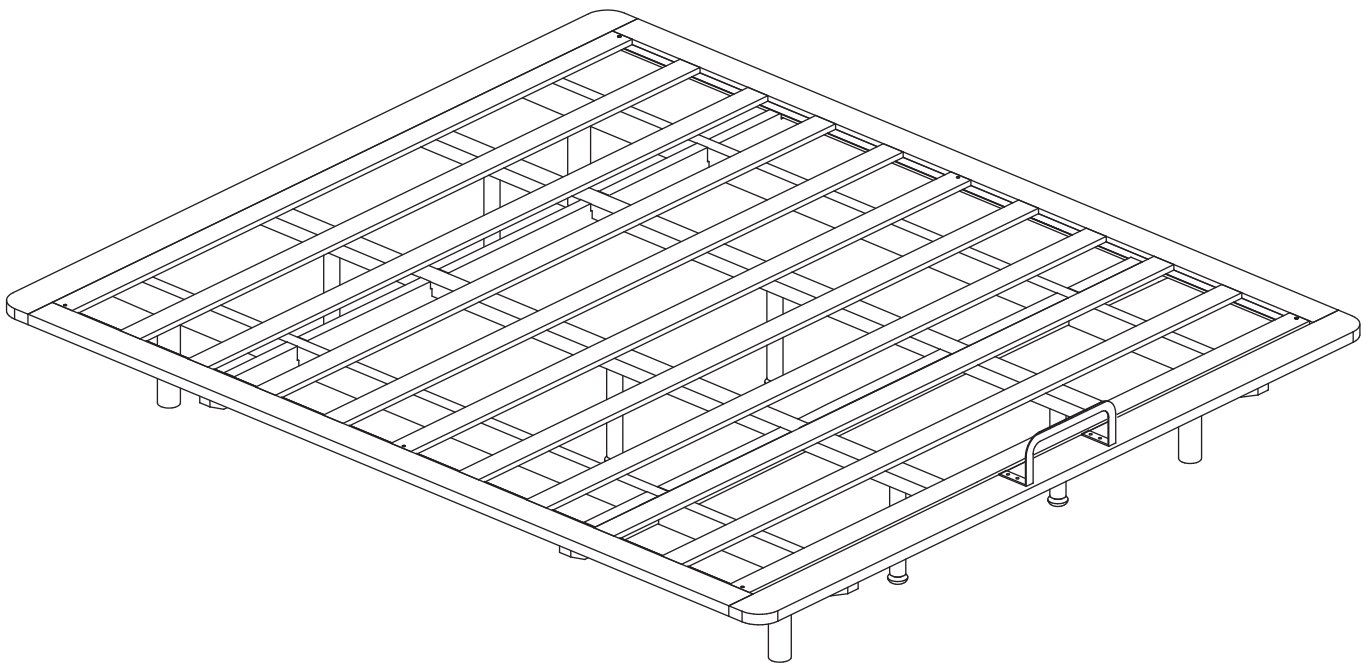


PLATFORM BED FRAME CADRE DE LIT PLATEFORME

Assembly Instructions - Please keep for future reference



Two people are required to assemble and move this model.

Important – Please read these instructions fully before starting assembly

Safety and Care Advice

- Check you have all the components and tools listed on the following pages.

- Remove all fittings from the plastic bags and separate them

- Keep children and pets away from the installation area, which may cause choking if small parts are swallowed.

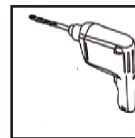
- Make sure you have enough space to layout the parts before

- Do not stand or apply weight to the product during assembly. This may cause damage.

- Assemble the item as close to its final position (in the same room) as possible.

- Assemble on a soft level surface to avoid damage to the unit or floor.

- It's easier for two people to assemble the parts together.



- To reduce the likelihood of damage to your product, make sure your power drill is set to a low torque setting.

Care and maintenance

- Only clean using a damp cloth and mild detergent, do not use bleach or abrasive cleaners.

- Check for loose screws on this unit from time to time.

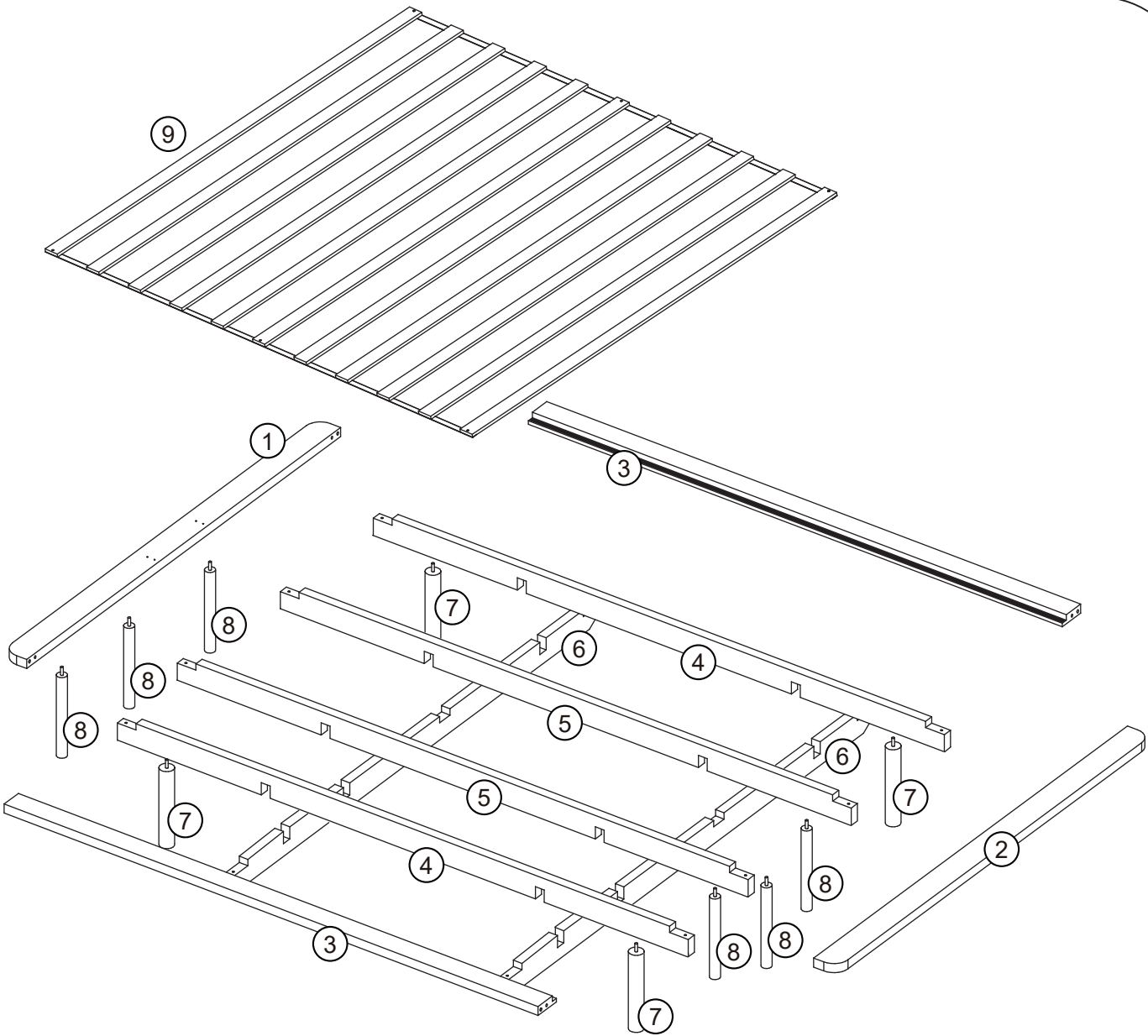
- This product should not be discarded with household waste. Take to your local authority waste disposal centre.

Handy Hints

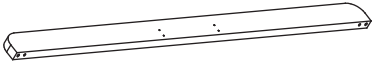







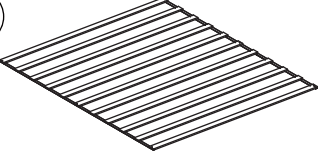
- Assemble all parts and bolts loosely during assembly, only once the product is complete should you fully tighten the bolts

- Regularly check and ensure that all bolts and fittings are correctly tightened.

Assembly Instructions



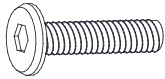


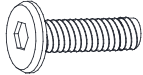


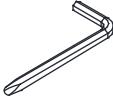
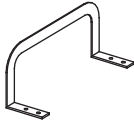
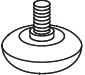


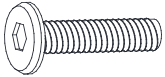
Part List

<p>①</p>  <p>1PC</p>	<p>②</p>  <p>1PC</p>	<p>③</p>  <p>2PCS</p>
<p>④</p>  <p>2PCS</p>	<p>⑤</p>  <p>2 PC</p>	<p>⑥</p>  <p>2PCS</p>
<p>⑦</p>  <p>4PCS</p>	<p>⑧</p>  <p>6PCS</p>	<p>⑨</p>  <p>1PC</p>

Hardware list

Please check you have all the panels listed below

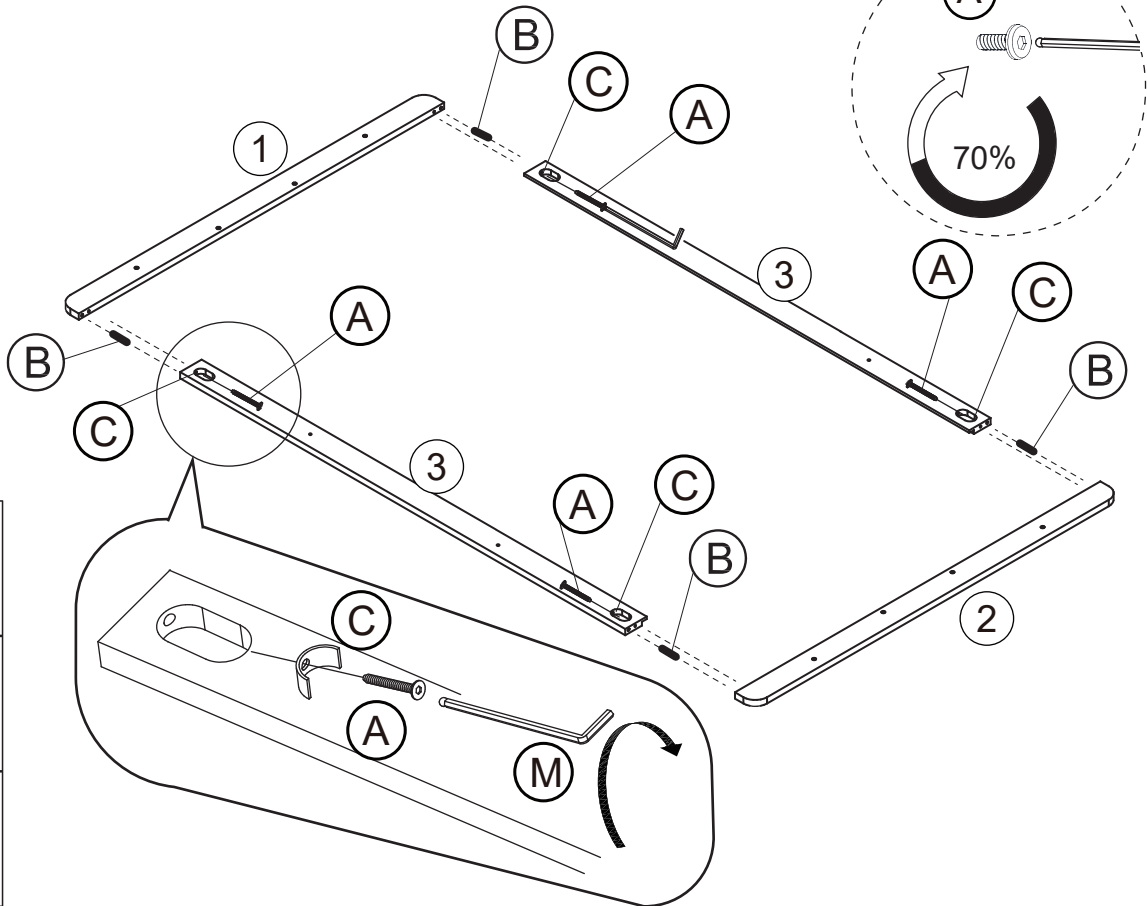
Note: The quantities below are the correct amount to complete the assembly. In some cases, more fittings may be supplied than required.

<p>A</p>  <p>(6*45mm) x 4</p>	<p>B</p>  <p>(8*40) x 4</p>	<p>C</p>  <p>x 4</p>
<p>D</p>  <p>(6*30mm) x 8</p>	<p>E</p>  <p>(3.5*16mm) x 4</p>	<p>F</p>  <p>(3.5*20mm) x 6</p>
<p>G</p>  <p>x 1</p>	<p>K</p>  <p>x 1</p>	<p>J</p>  <p>x 6</p>
<p>M</p>  <p>x 1</p>	<p>N</p>  <p>(5*40mm) x 8</p>	<p>H</p>  <p>(6*40mm) x 4</p>

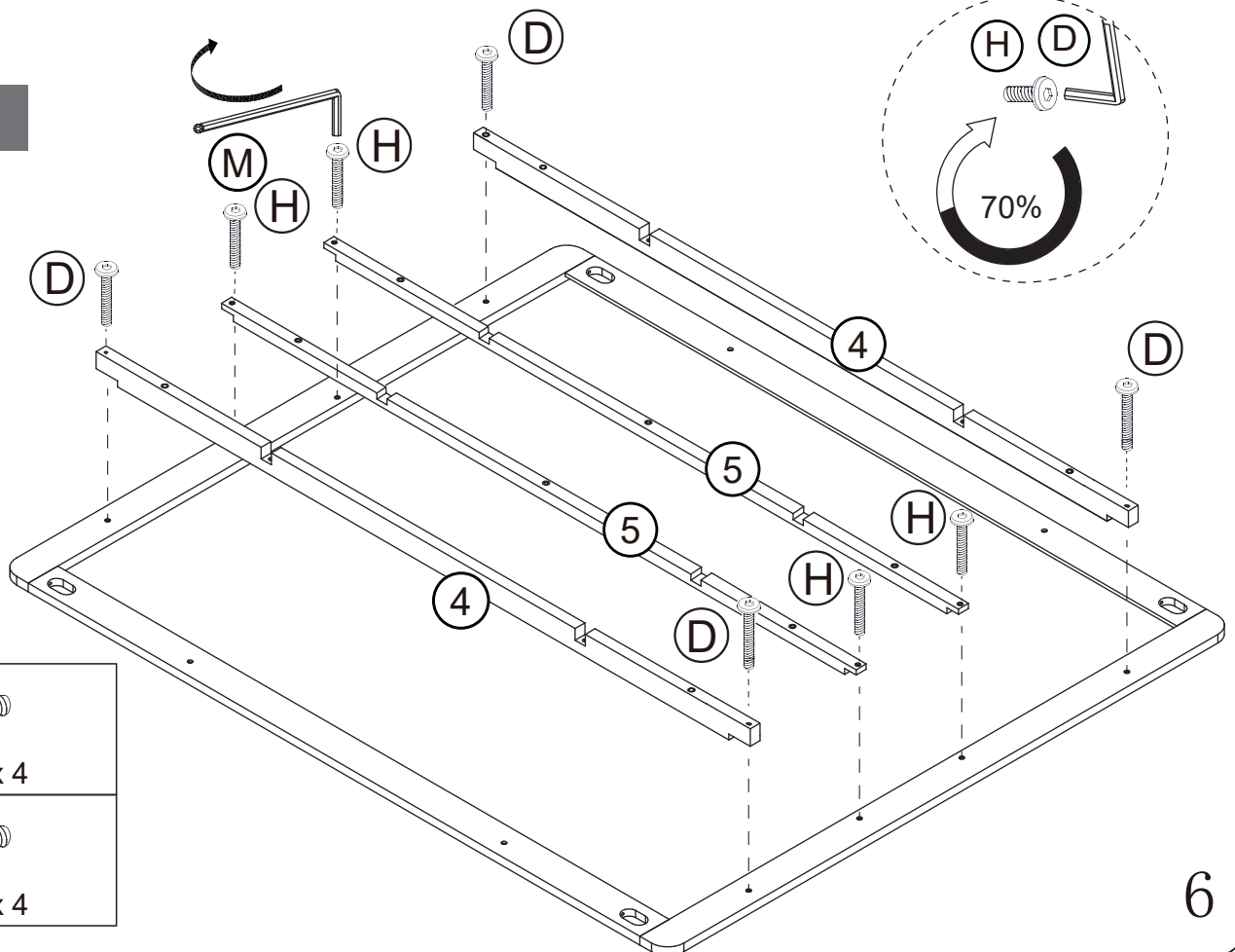
Assembly Tools Required (Not Included)

Assembly Instructions

Step 1

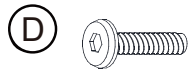
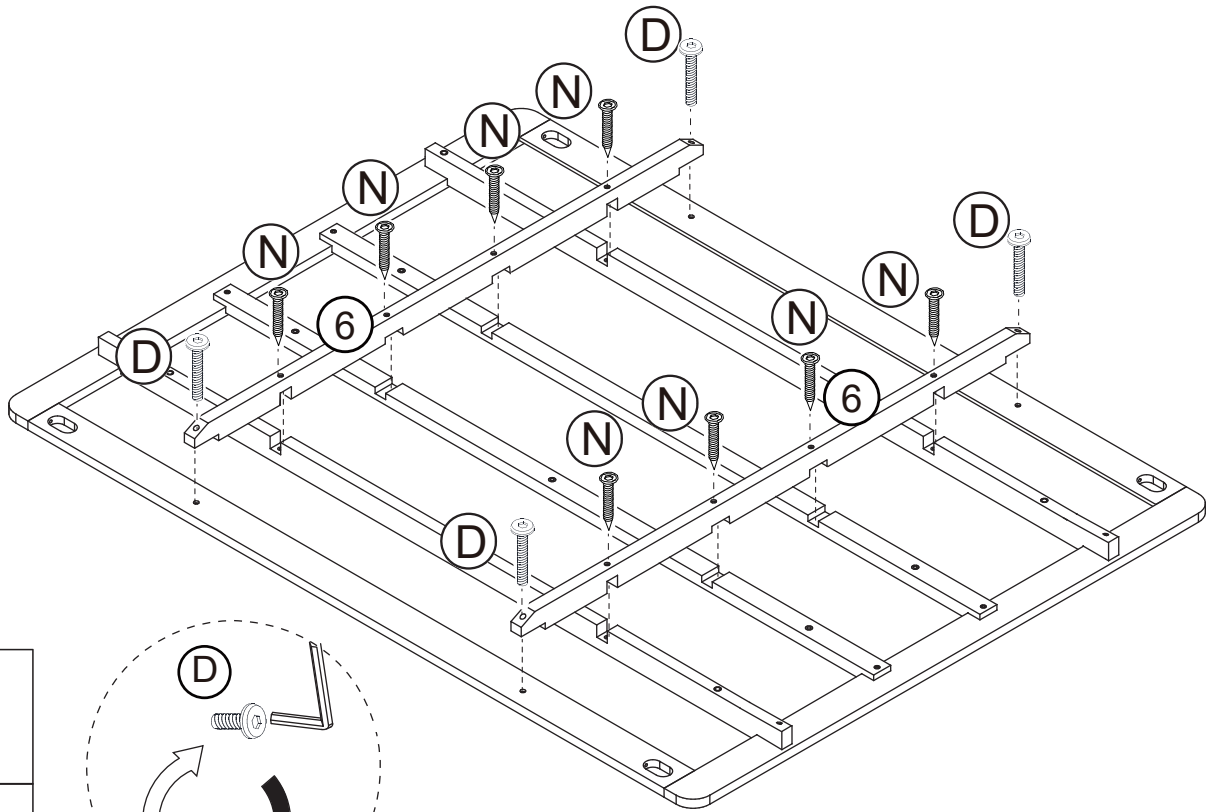


Step 2



Assembly Instructions

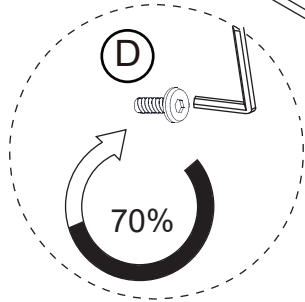
Step 3



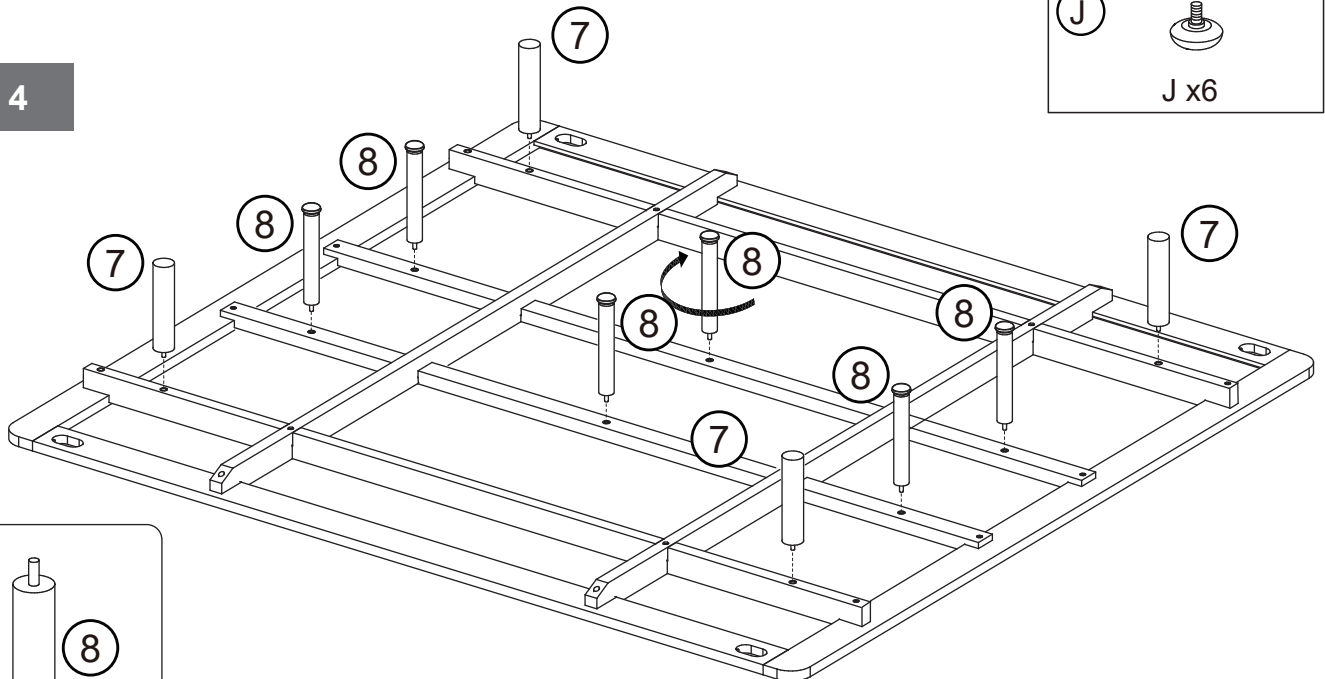
D x4



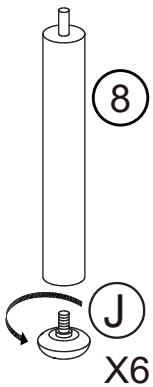
N x 8



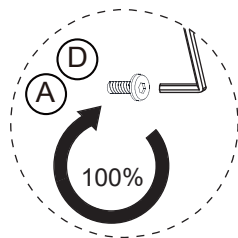
Step 4



J x6



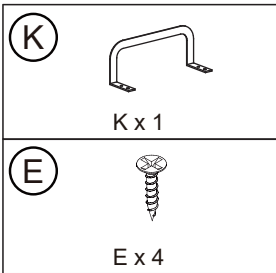
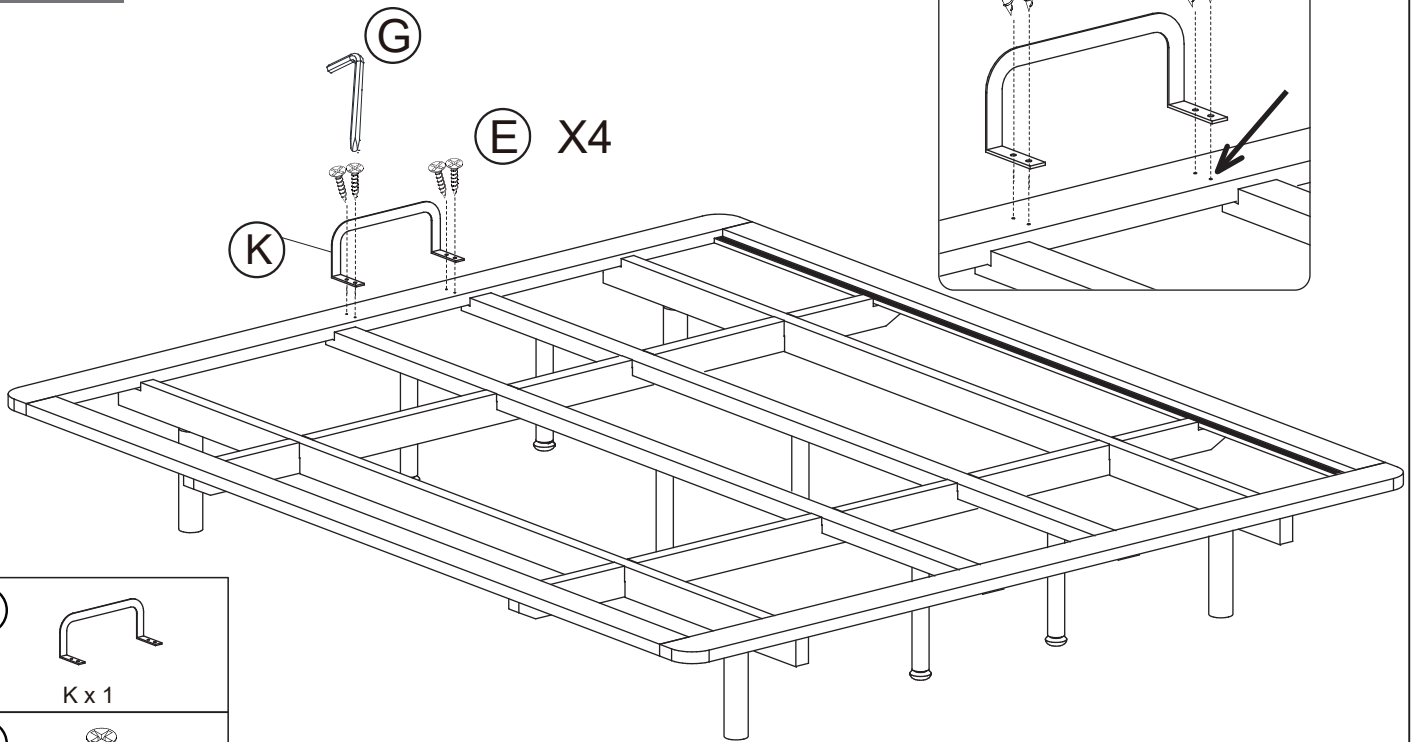
X6



Use the short end of L to tighten all screws to 100%.

Assembly Instructions

Step 5



Step 6

