

Assembly Instructions

Caution: You must read this before you proceed

Chair



Part List

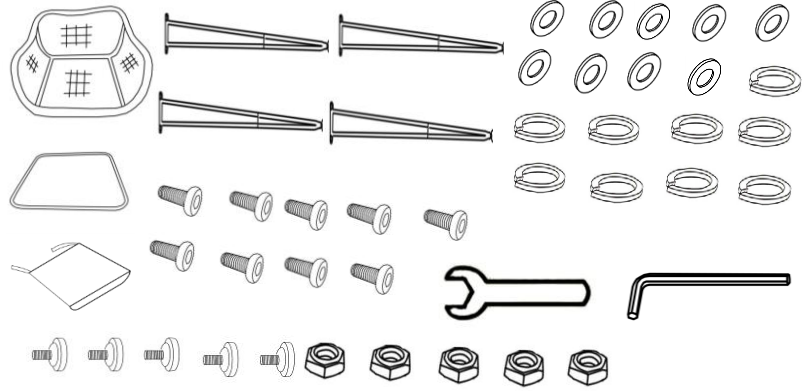
Label	Picture	Description	QTY
A	A line drawing of the chair seat, showing a rectangular shape with a decorative pattern of three horizontal lines and two vertical lines.	Seat	1
B	A line drawing of a single chair leg, which is a tapered, slightly curved rod.	Chair Legs	4
C	A line drawing of a trapezoidal support ring, which is a flat, rectangular piece with rounded corners.	Support Ring	1
D	A line drawing of a rectangular seat cushion with a slightly raised edge.	Seat Cushion	1

Hardware

Label	Picture	Description	QTY
①	A line drawing of a bolt with a hexagonal head and a threaded shaft.	Bolt (M6X20mm)	9
②	A line drawing of a flat washer with a central hole.	Washer	9
③	A line drawing of a spring washer, which is a flat washer with a central hole and a raised edge.	Spring Washer	9
④	A line drawing of a hexagonal nut with a threaded hole.	Nut(M6)	5
⑤	A line drawing of an Allen wrench, which is a T-shaped tool.	Allen Wrench(M6)	1
⑥	A line drawing of a standard open-end wrench.	Wrench(M6)	1
⑦	A line drawing of a leveller, which is a small, cylindrical tool with a threaded end.	Leveller	5

Assembly Preparation

Before Beginning Assembly:



- Read instructions, cover to cover-



- Have 2 adults on hand for assembly-



- Do not assemble on flooring or carpet-



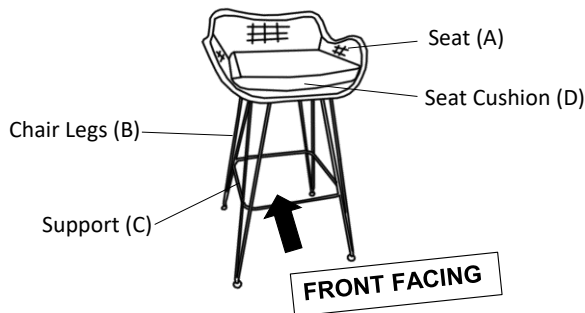
- Assemble on a clean non-marring surface (packing foam)-



- Save all packaging until finished-

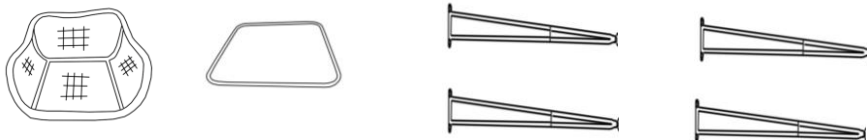
Assembly Steps

Overview



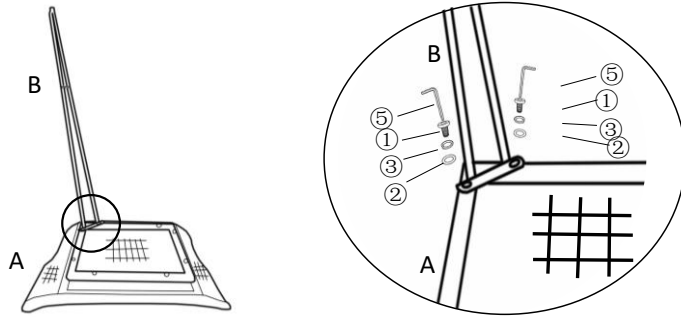
This Chair has multiple parts and may require up to 30 minutes to assemble. To give you an overview of the Chair parts, the above picture is to help you put the various parts into perspective. Please read through the instructions below to familiarise yourself with the parts and steps before assembly.

Step 1



Unpack and place all parts on a clean, non-marring surface.

Step 2



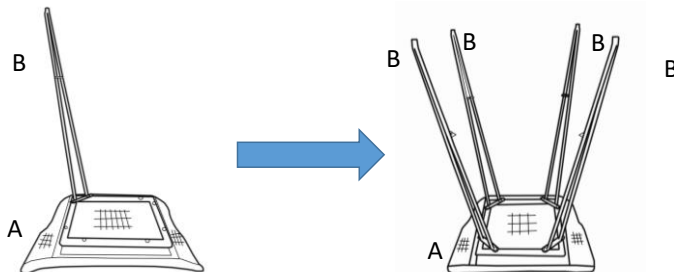
Place the Seat(A) facedown onto a clean, non-marring surface.

Align the Chair Leg(B) to the Seat(A) as shown above.

Attach the Chair Leg(B) to the Seat(A) using Bolts(①), Spring Washers(③) and Washers(②) with the Allen Wrench(⑤).

Do not fully tighten the Bolts.

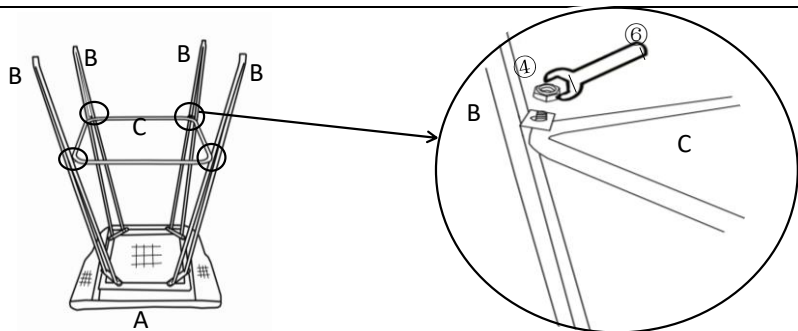
Step 3



Repeat Step 2 to assemble the remaining legs using Bolts(①), Spring Washers(③) and Washers(②) with the Allen Wrench(⑤).

Do not fully tighten the Bolts.

Step 4

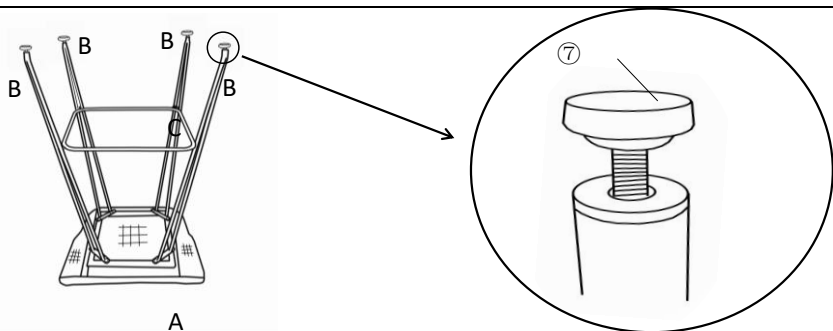


Align the Support(C) to the Chair Legs(B) as shown above.

Attach the Support(C) to the Chair Legs(B) using Nuts(④) with the Wrench(⑥).

Tighten all the Nuts and Bolts.

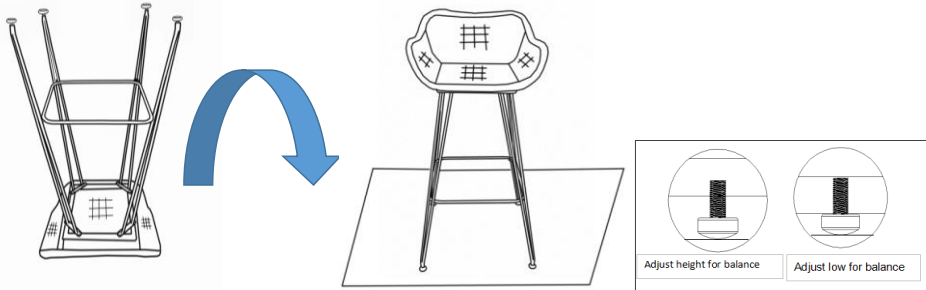
Step 5



Install the Leveller(⑦) into the bottom of the Chair Leg(B), tighten by turning the Leveller clockwise.

Repeat the same step to install the three remaining Levellers.

Step 6



Stand the Chair up.

Place the Chair on a **LEVEL SURFACE** to check for wobbles.

Adjust the Levelers to ensure chair stability.

Step 7



Put the Seat Cushion(D) onto the Chair.

Secure the Seat Cushion using the straps as pictured.

Your Chair is ready for use.

This Chair can only be used on a flat and level surface.

Care & Maintenance



- Prolonged exposure to rain may cause rusting which can stain floors.



- Do not put hot items directly on furniture surface.



- Do not clean furniture with harsh cleansers or polish.



- To obtain the longest lifespan of your outdoor products, minimizing exposure to direct sunlight is recommended.



- Children should not climb or jump on the furniture.



- Do not write on furniture without a padded barrier to protect the surface.



- To obtain the longest lifespan of your outdoor products, avoid extended and lengthy exposure to rain, snow, and direct sunshine. Whenever possible cover the product and /or place under patio or awnings.



- Not for commercial use. For residential use only.



- Stains may be removed with mild soap solution and damp cloth.



- Keep away from sources of ignition.



- Dust and pick-up spills using a clean, non-colored, lint-free cloth.