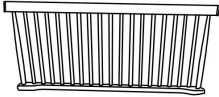
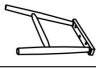





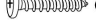


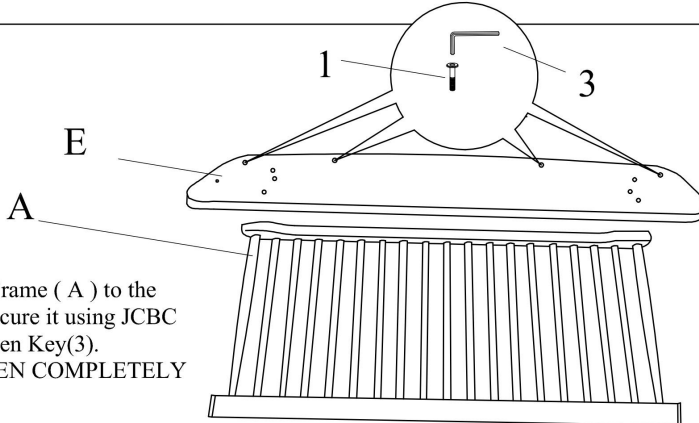


ASSEMBLY INSTRUCTION

No	Part List	Qty
A	 Back Frame	1PC
B	Left Leg Frame 	1PC
C	Right Leg Frame 	1PC
D	Crossbar 	2PCS
E	Chair Seat 	1PC
F	Left & Right Arm 	2PCS

NO	HARDWARE LIST	QTY
1	 JCBC Bolt	10pcs
2	 Flat Washer	2pcs
3	 Allen Key	1pc
4	 Wood Screw	8pcs
5	 Wood Button	2pcs
6	 Glue	1pc
7	 Foot Pad	4pcs
8	 Spring Washer	2pcs

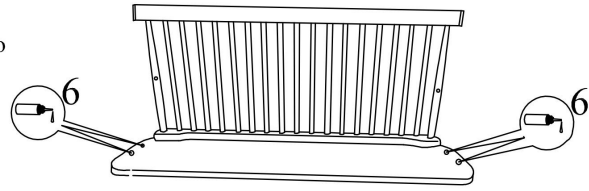
Step 1.



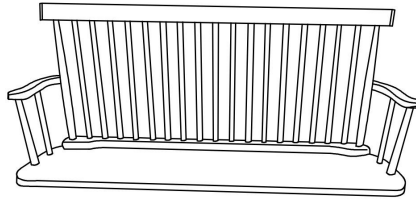
Attach the Back Frame (A) to the Chair Seat (E). Secure it using JCBC Bolt (1) with Allen Key(3).
DO NOT TIGHTEN COMPLETELY AT THIS TIME

Step 2-1

Put the Glue (6) into the arm Hole



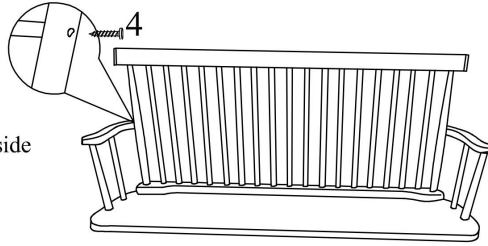
Step 2-2.



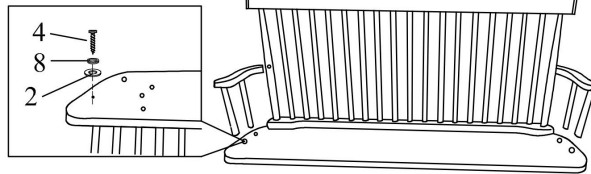
Attach the Left & Right Arm (F) into the chair seat (E) and the Back Frame (A).

Step 3.

Secure it using Wood Screw (4) from side post.



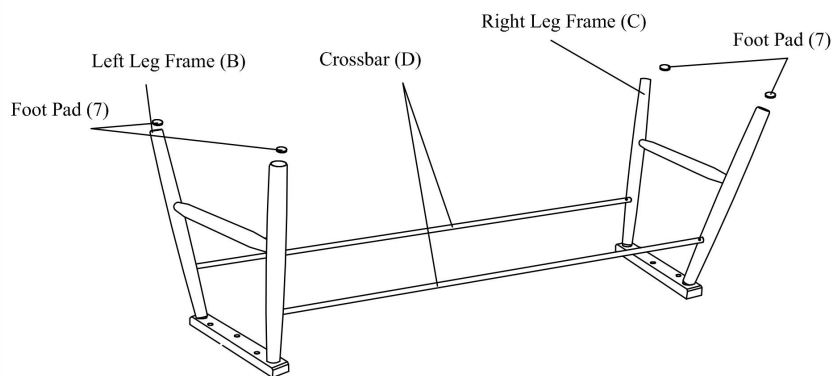
Step 4.



Using Wood Screw (4), Spring Washer(8), and Flat Washer (2) from the bottom of chair seat. **TIGHTEN ALL SCREWS and Bolts FROM STEP 1 TO STEP 4 AT THIS TIME.** Do not over tighten and do not use power tools.

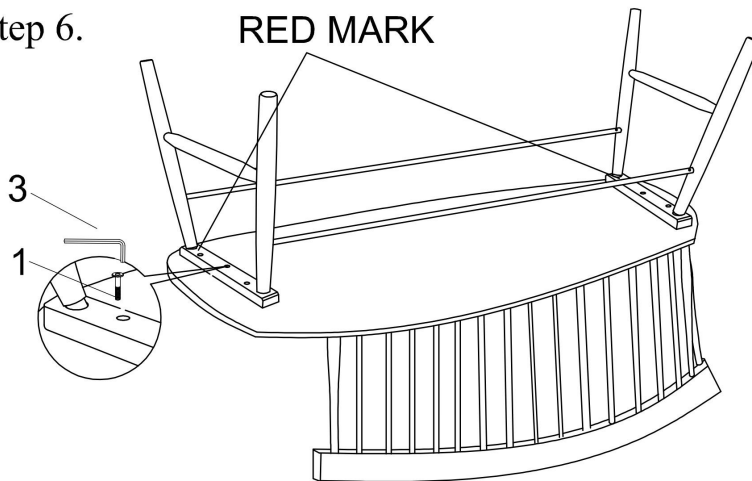
Step 5.

Install Crossbar (D) into holes on Left Leg Frame(B) and Right Leg Frame (C). Paste the foot pad (7) to the legs.



Step 6.

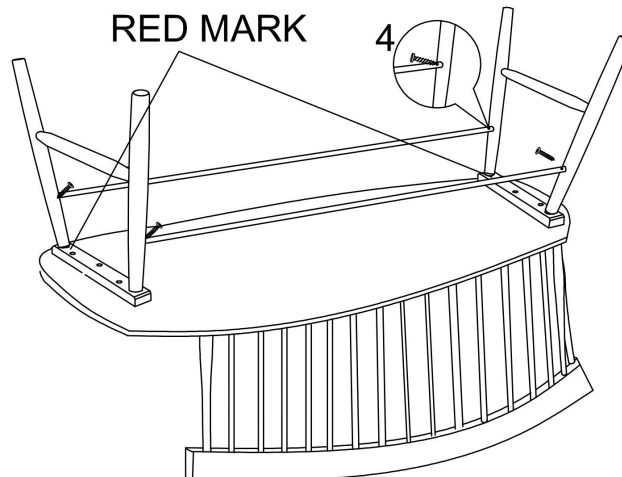
RED MARK



*** Front Legs with RED MARK must facing front.
Position the frame assembly into the bottom of chair seat. Align and tighten bolt into chair seat and frame using JCBC Screw (1) with Allen key (3).

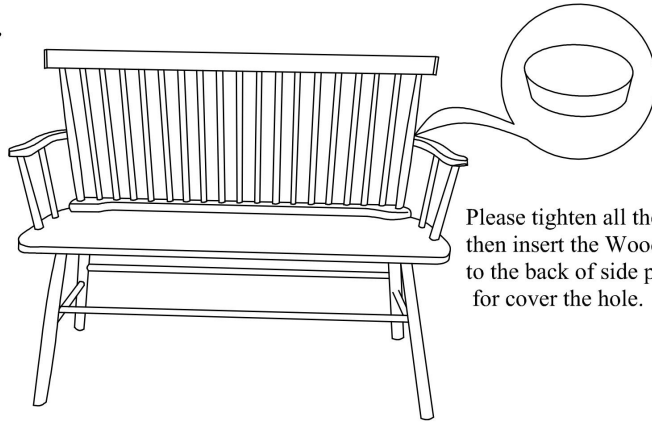
Step 7.

RED MARK



*** Front Legs with RED MARK must facing front.
assemble Crossbar (D), Left Leg Frame and Right Leg Frame using Wood Screw (4) .

Step 7.



Please tighten all the Screws
then insert the Wood Button (H)
to the back of side post
for cover the hole.