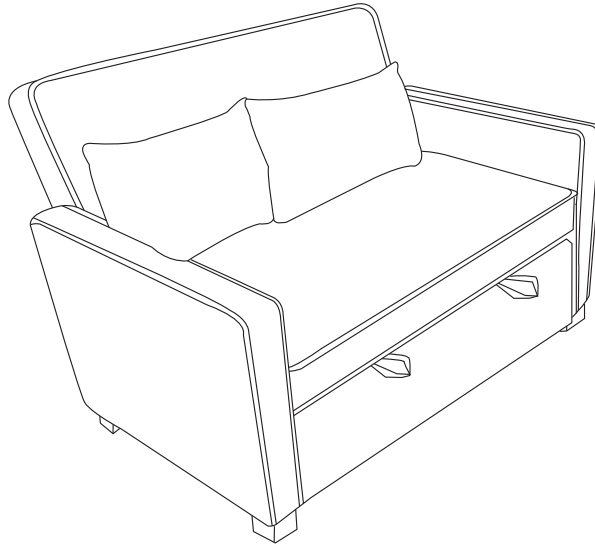

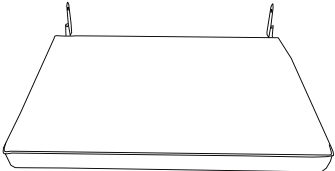
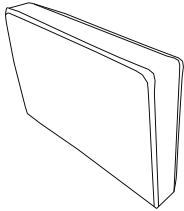
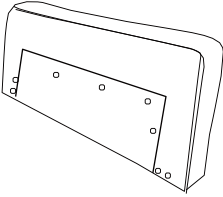
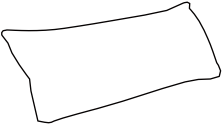
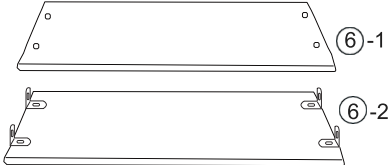
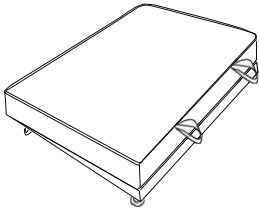



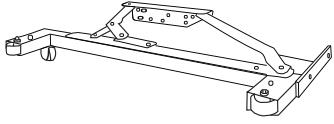
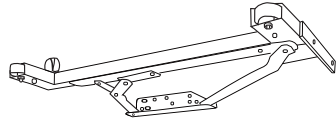
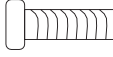
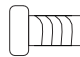

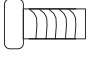


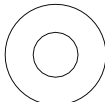
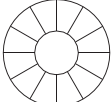
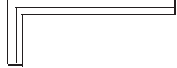
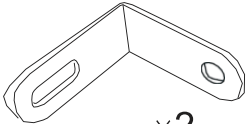
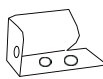
INSTRUCTION MANUAL



Assembly Instruction

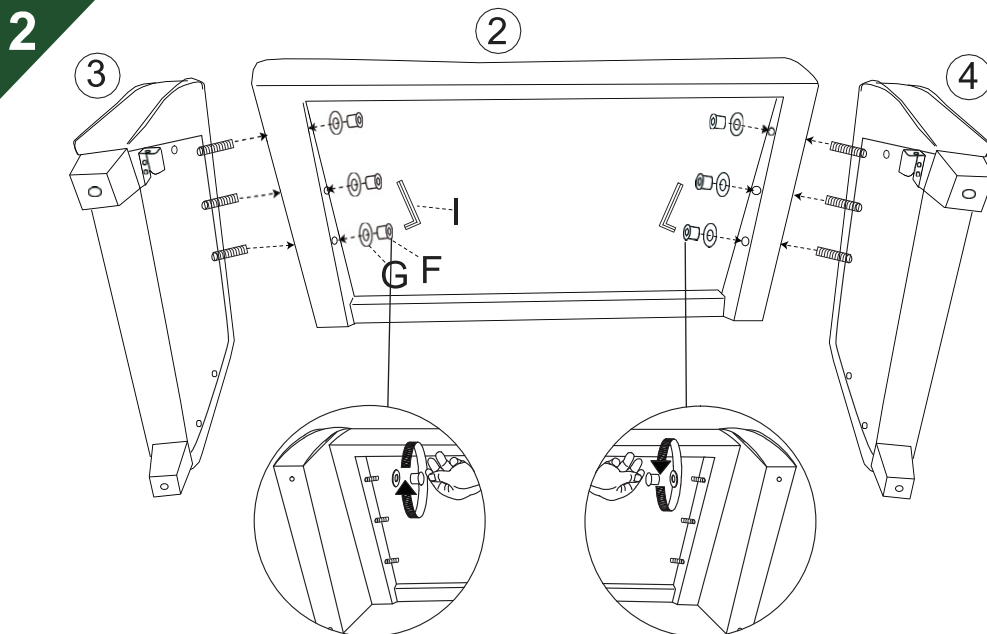
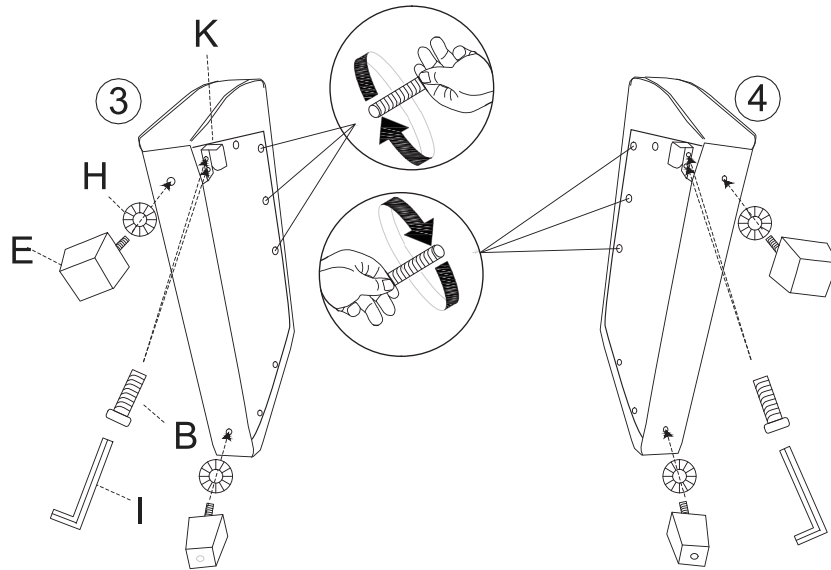
<p>① Back rest</p>  <p>× 1</p>	<p>② Seatbox frame</p>  <p>× 1</p>
<p>③ Left armrest</p>  <p>× 1</p>	<p>④ Right armrest</p>  <p>× 1</p>
<p>⑤ Armrest pillow</p>  <p>× 2</p>	<p>⑥ Board</p>  <p>× 2</p>
<p>⑦ Leg rest</p>  <p>× 1</p>	<p>⑧ Connectorrod</p>  <p>× 2</p>

Assembly Instruction

<p>9 Leg rest joint(left)</p>  <p style="text-align: right;">× 1</p>	<p>10 Leg rest joint(right)</p>  <p style="text-align: right;">× 1</p>	
<p>A Hexagon socket screw</p>  <p>M6 × 45mm × 4</p>	<p>B Hexagon socket screw</p>  <p>M6 × 20mm × 16</p>	<p>C Screw</p>  <p>M8 × 75mm × 6</p>
<p>D Hexagon socket screw</p>  <p>M6 × 25mm × 4</p>	<p>E Plastic leg</p>  <p>× 4</p>	<p>F Screw cap</p>  <p>× 6</p>
<p>G Washer</p>  <p>× 6</p>	<p>H Plastic washer</p>  <p>× 4</p>	<p>I Allen wrench</p>  <p>× 1</p>
<p>J L-Metal connector</p>  <p>× 2</p>	<p>K Metal bracket</p>  <p>× 2</p>	

Assembly Instruction

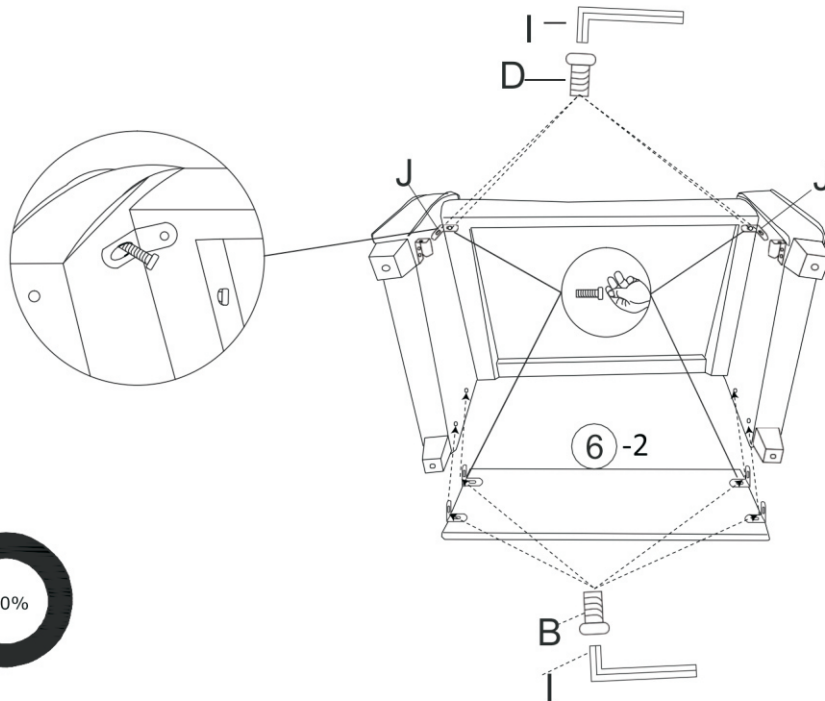
- 1** Manually tighten the screw 2 to 3 turns by hand.
Do not insert more than 1cm.



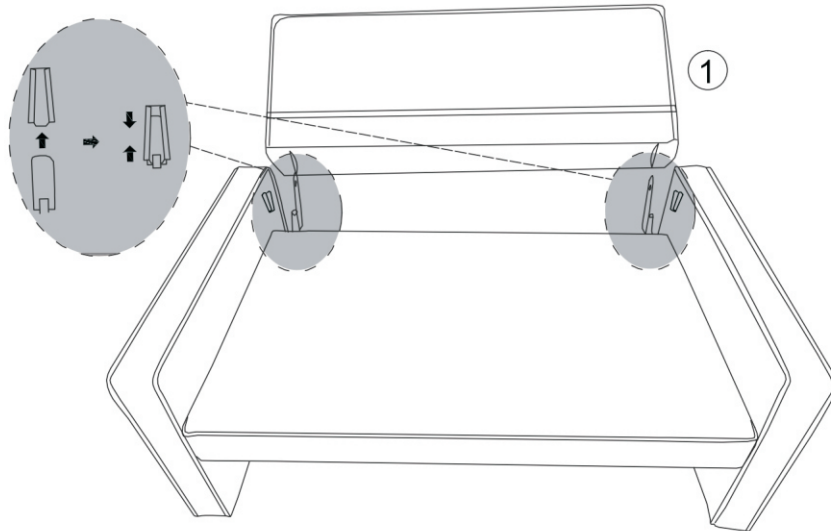
After all the manual screws are screwed in, tighten them again

Assembly Instruction

3



4

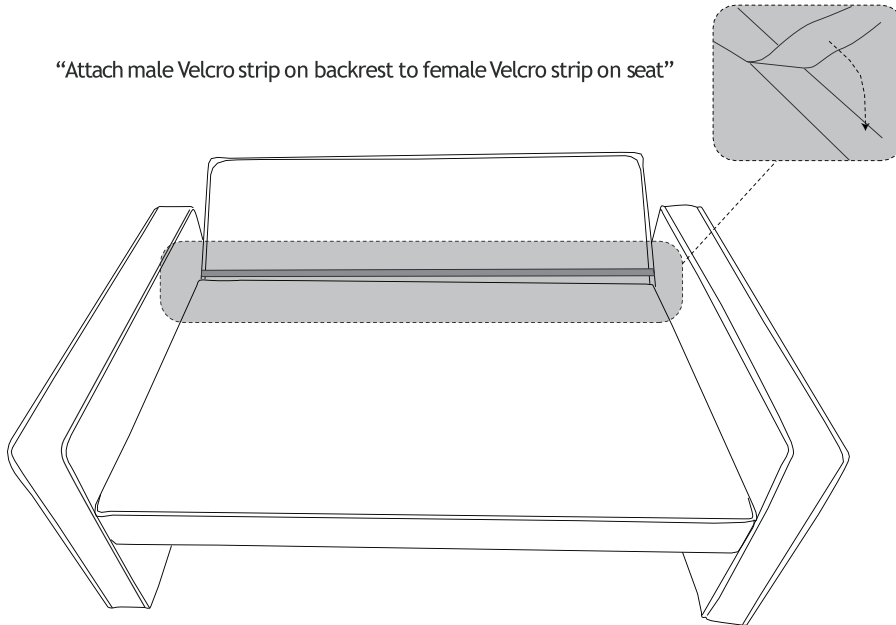


After inserting the plug, press it all the way down

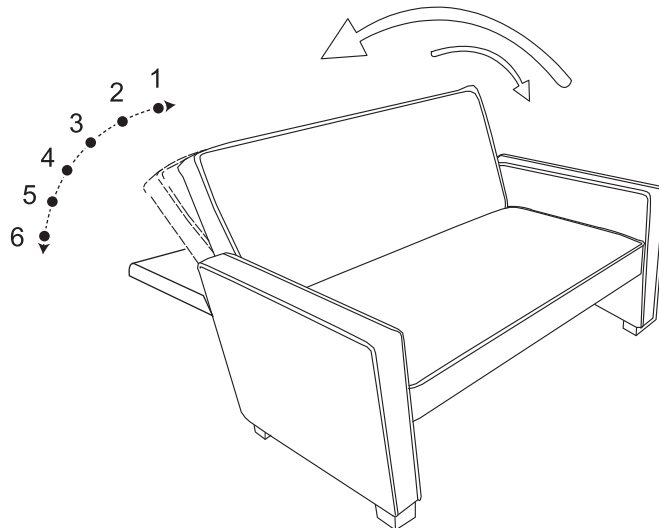
Assembly Instruction

5

“Attach male Velcro strip on backrest to female Velcro strip on seat”

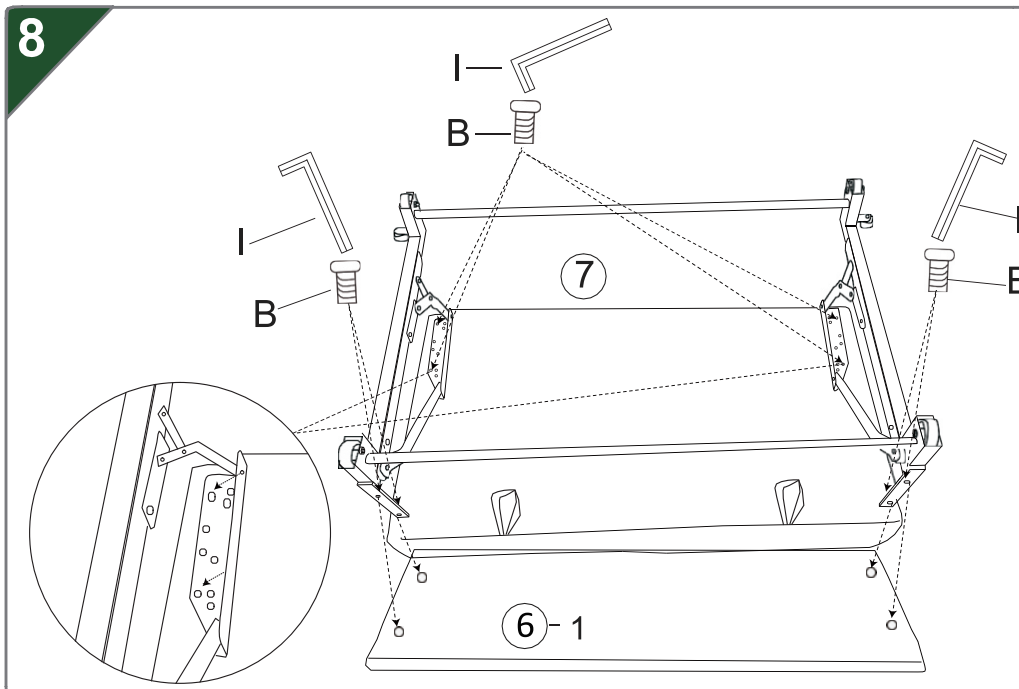
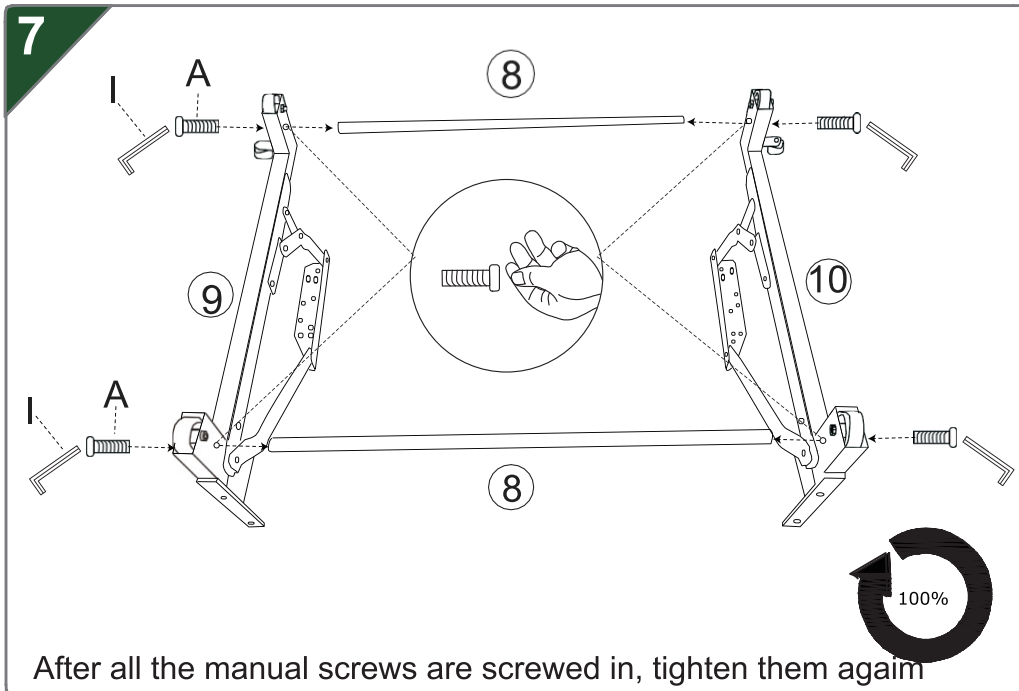


6



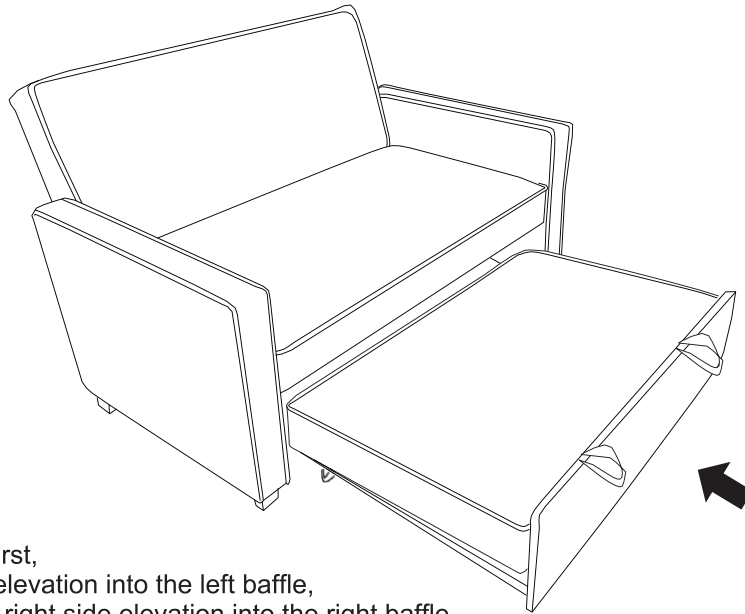
Six speed manual adjustment

Assembly Instruction



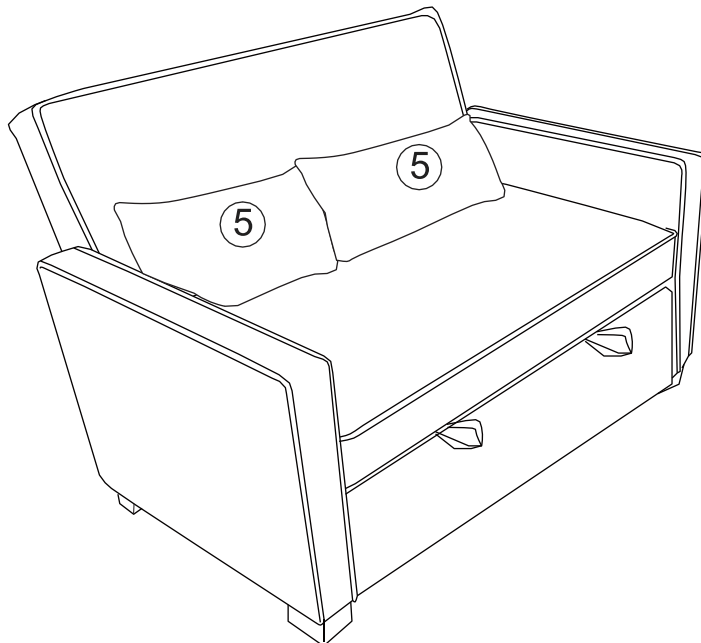
Assembly Instruction

9



Sliding foot first,
the left side elevation into the left baffle,
and then the right side elevation into the right baffle

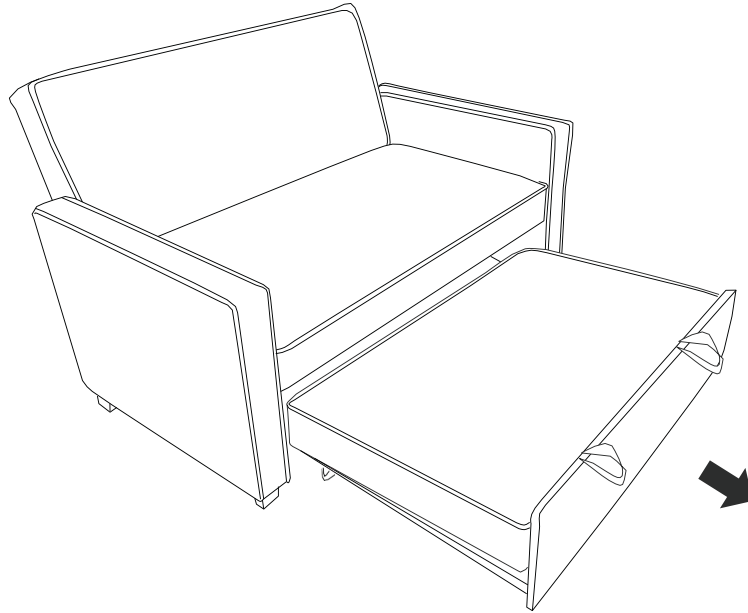
10



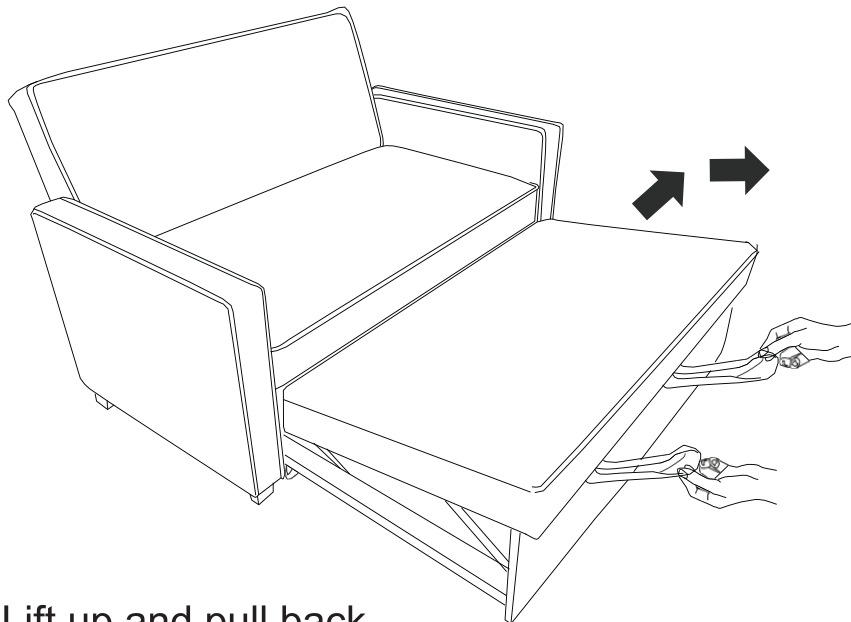
(7)

Assembly Instruction

11



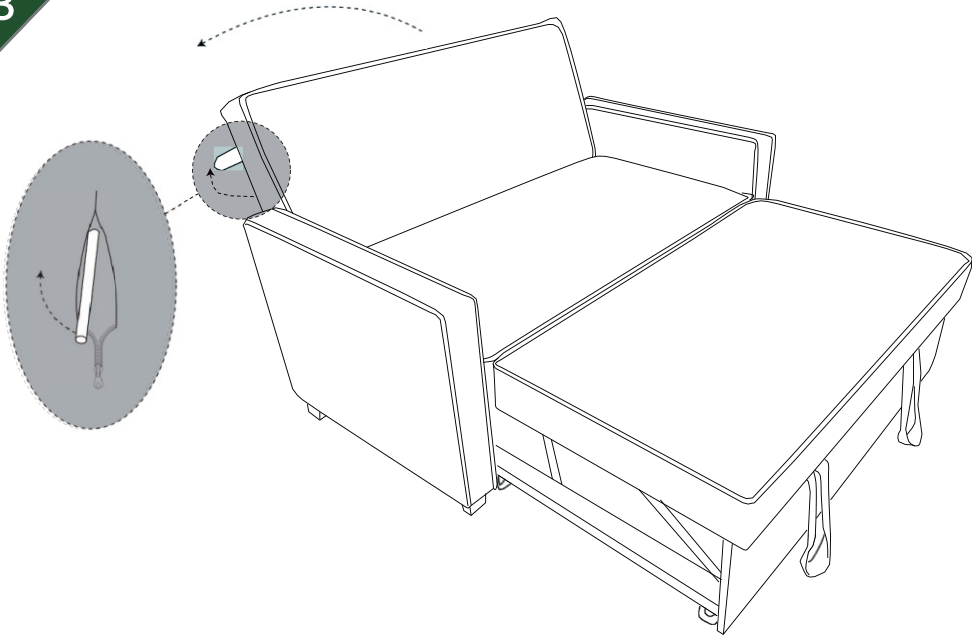
12



Lift up and pull back

Assembly Instruction

13



14

