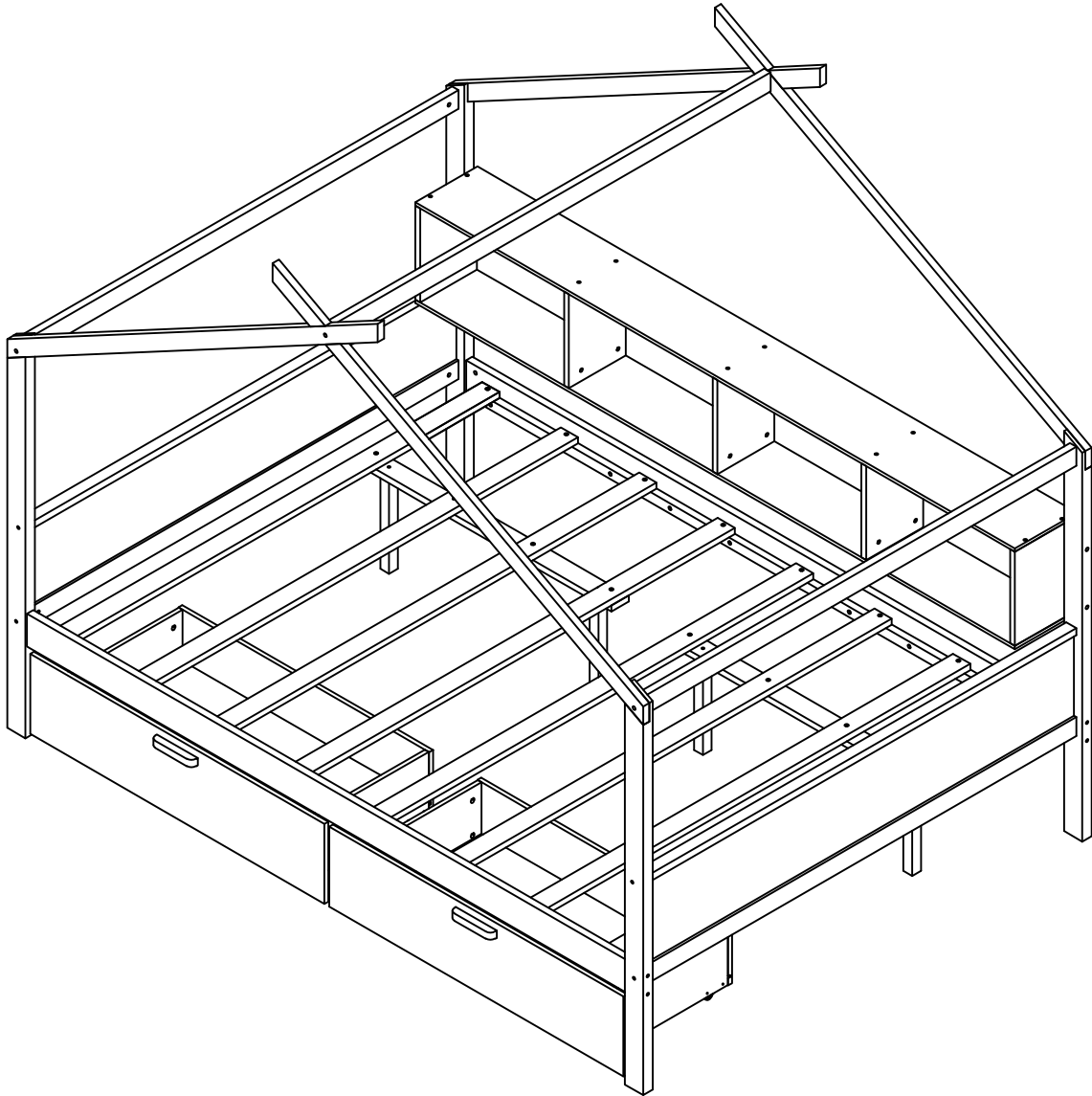
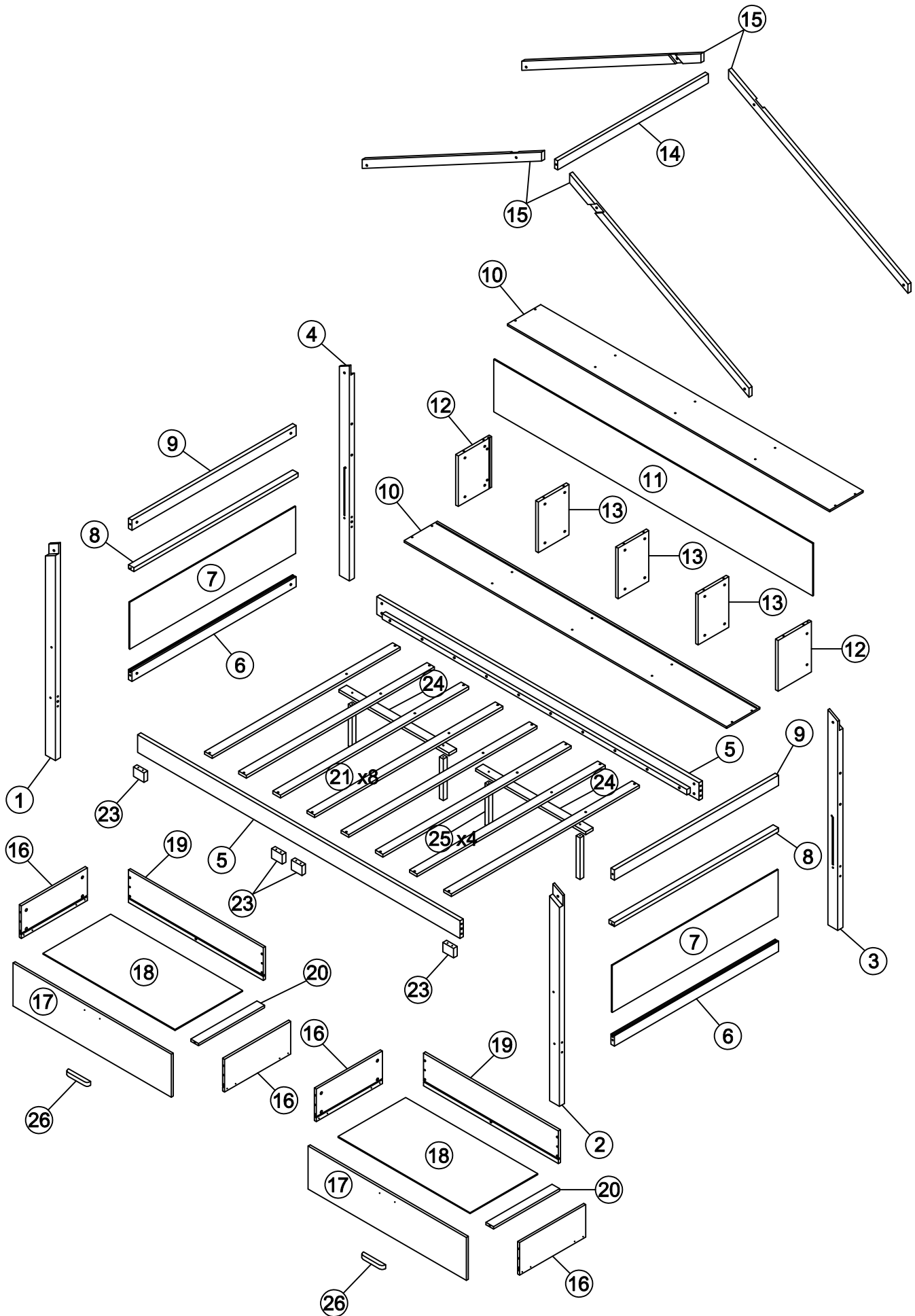


ASSEMBLY INSTRUCTIONS

FULL BED WITH BOOKSHELF AND DRAWERS

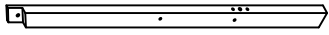
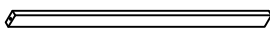
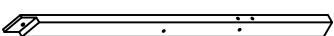
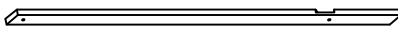
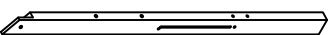

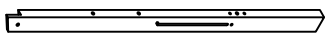
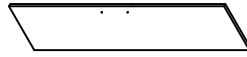

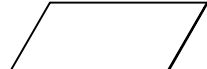


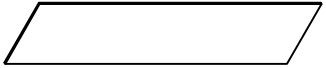

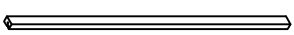
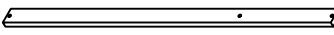


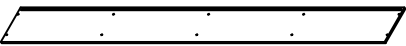
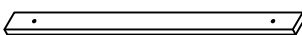
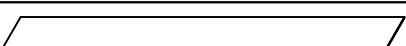
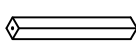


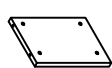


ASSEMBLY INSTRUCTIONS








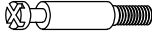



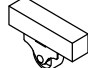




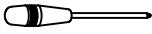

ASSEMBLY INSTRUCTIONS

(hardware in this SKU)

1	Leg 	1pc	14	Headboard frames 	1pc
2	Leg 	1pc	15	Roof top 	4pcs
3	Leg 	1pc	16	Side drawers panel 	4pcs
4	Leg 	1pc	17	Front drawers panel 	2pcs
5	Side rail 	2pcs	18	Bottom drawers panel 	2pcs
6	Headboard frames 	2pcs	19	Back drawers panel 	2pcs
7	Headboard frames 	2pcs	20	Drawers support 	2pcs
8	Headboard frames 	2pcs	21	Slats 	8pcs
9	Headboard frames 	2pcs	23	Drawers stopper 	4pcs
10	Top & bottom bookcase panels 	2pcs	24	Center rails 	2pcs
11	Back bookcase panels 	1pc	25	Center rails support legs 	4pcs
12	Side bookcase panels 	2pcs	26	Holder 	2pcs
13	Center bookcase panels 	3pcs			

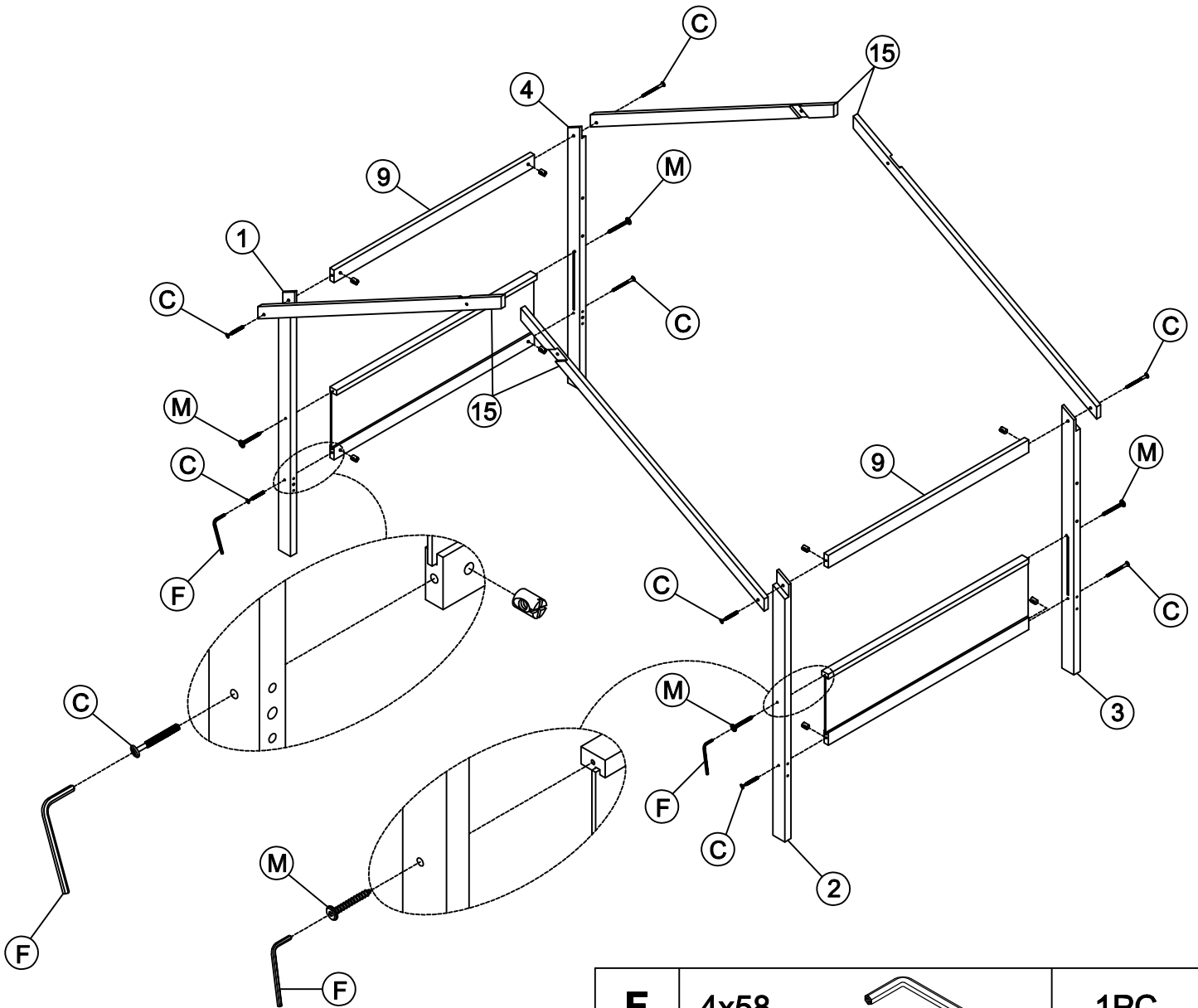
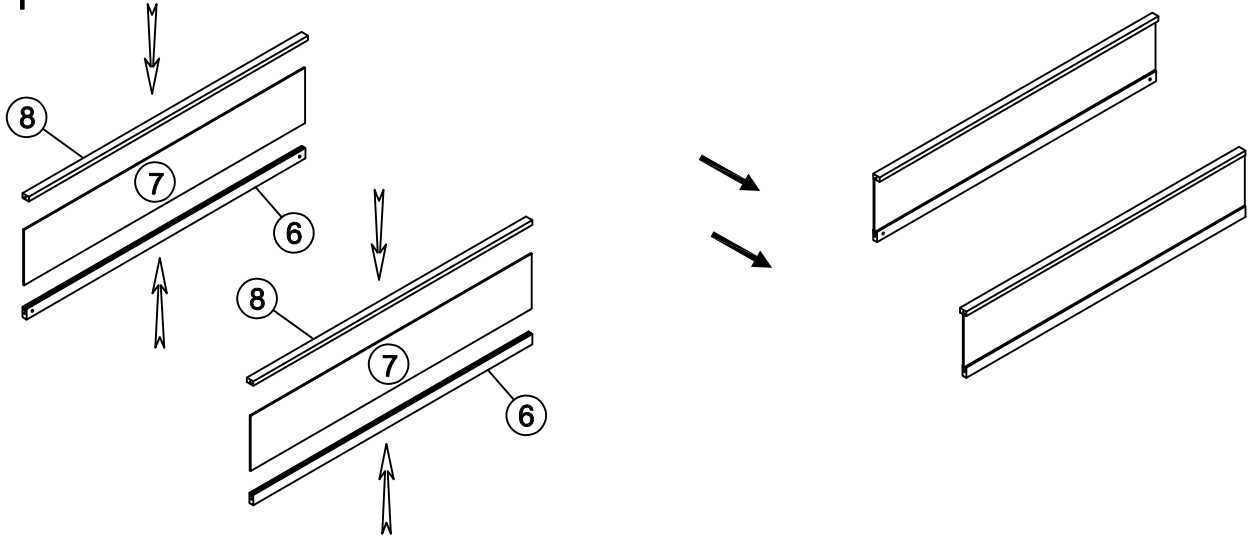
ASSEMBLY INSTRUCTIONS




(hardware in this SKU)

A	Ø4x30		52PCS	H	Ø10x40		4PCS
B	1/4x100		8PCS	I	Ø8x30		8PCS
C	1/4x75		8PCS	J	Ø6.5x35		20PCS
D	1/4x65		2PCS	K	Ø12x10		20PCS
E	1/4x50		20PCS	L			8PCS
F	4x58		1PC	M	6.5x60		4PCS
G	1/4x65		4PCS	N	6.5x50		4PCS
	Phillip head screw Not include			O	1/4x25		4PCS

ASSEMBLY INSTRUCTIONS

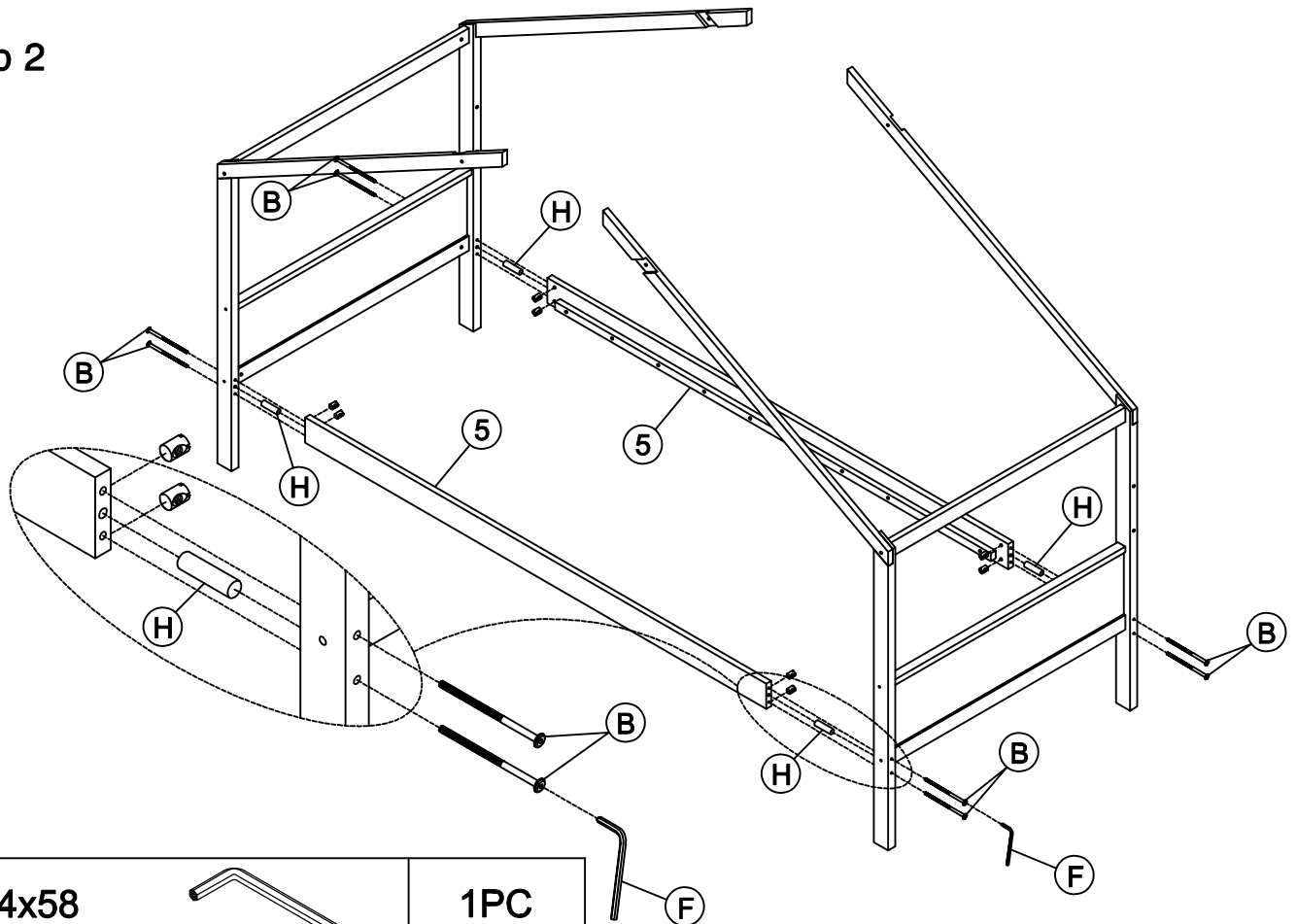
Step 1








F	4x58		1PC
C	1/4x75		8PCS
M	6.5x60		4PCS

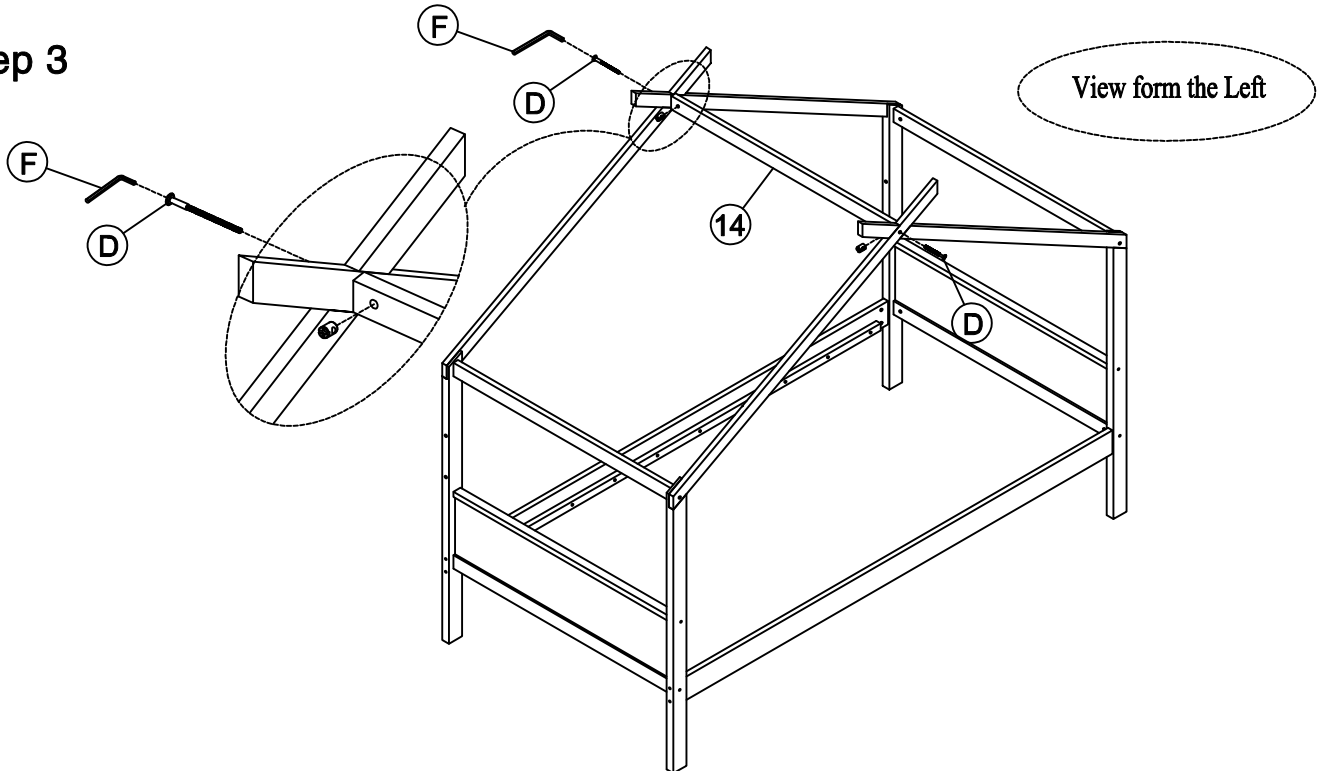
ASSEMBLY INSTRUCTIONS




Step 2



F	4x58		1PC		F	
H	Ø10x40		4PCS	B	1/4x100  	8PCS

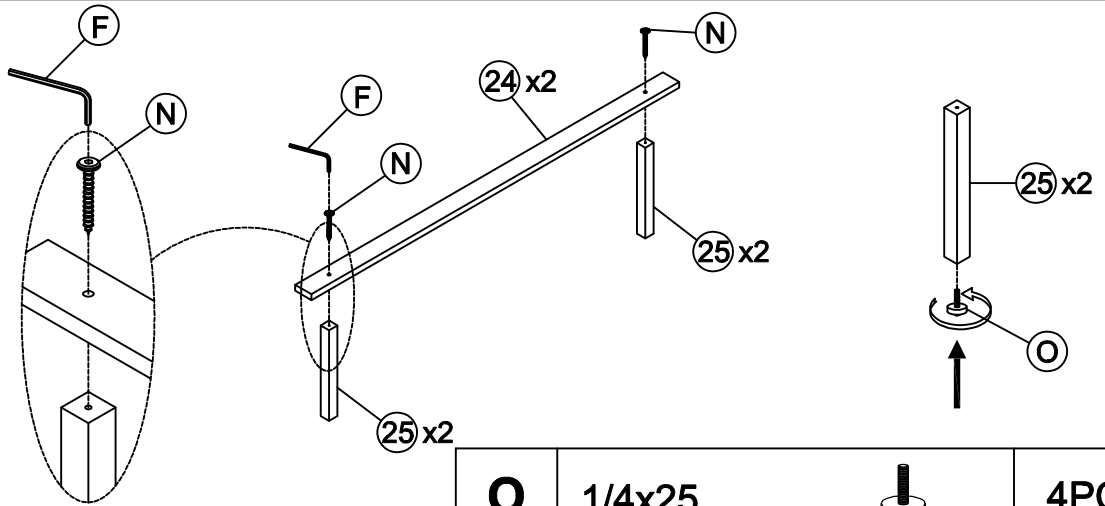
Step 3





D	1/4x65	 	2PCS	F	4x58		1PC
----------	--------	---	------	----------	------	---	-----

ASSEMBLY INSTRUCTIONS

Step 4

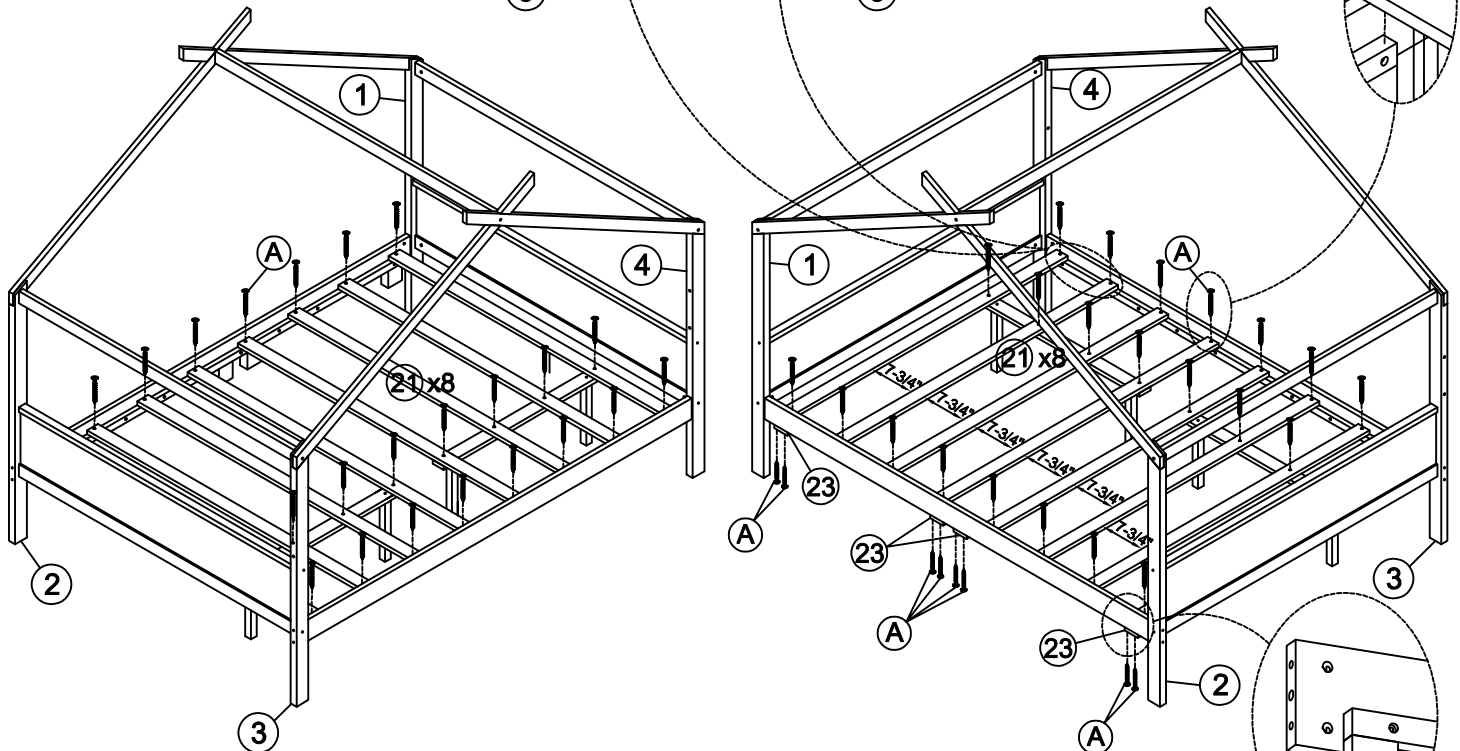
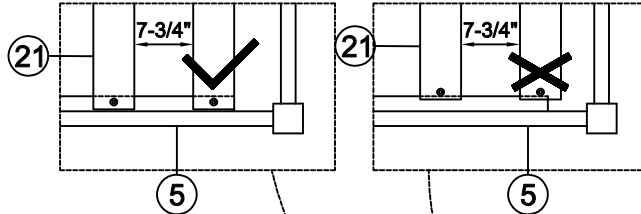


O	1/4x25		4PCS
----------	--------	---	------

N	6.5x50		4PCS	F	4x58		1PC
----------	--------	---	------	----------	------	---	-----

Step 5

First attach 2pcs part 21 to the front and end of the frame between headboard. Then attach the remaining part 21 equidistantly between headboard



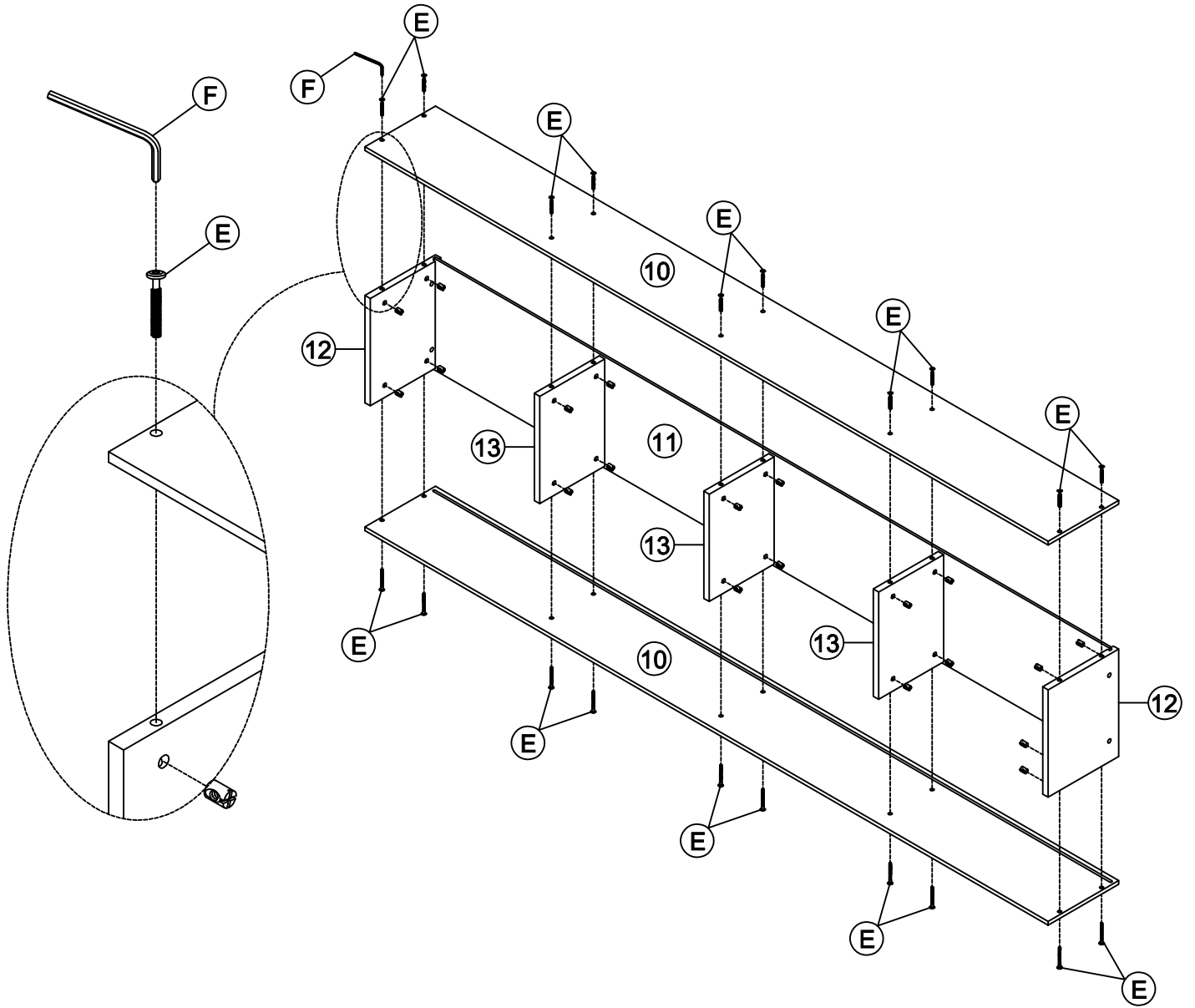
View form the back

View form the front

A	Ø4x30		32PCS
----------	-------	---	-------

ASSEMBLY INSTRUCTIONS

Step 6



E 1/4x50



20PCS

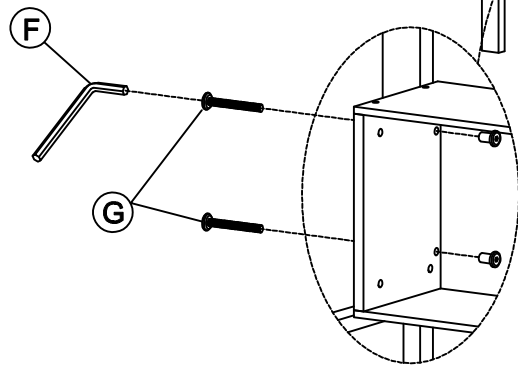
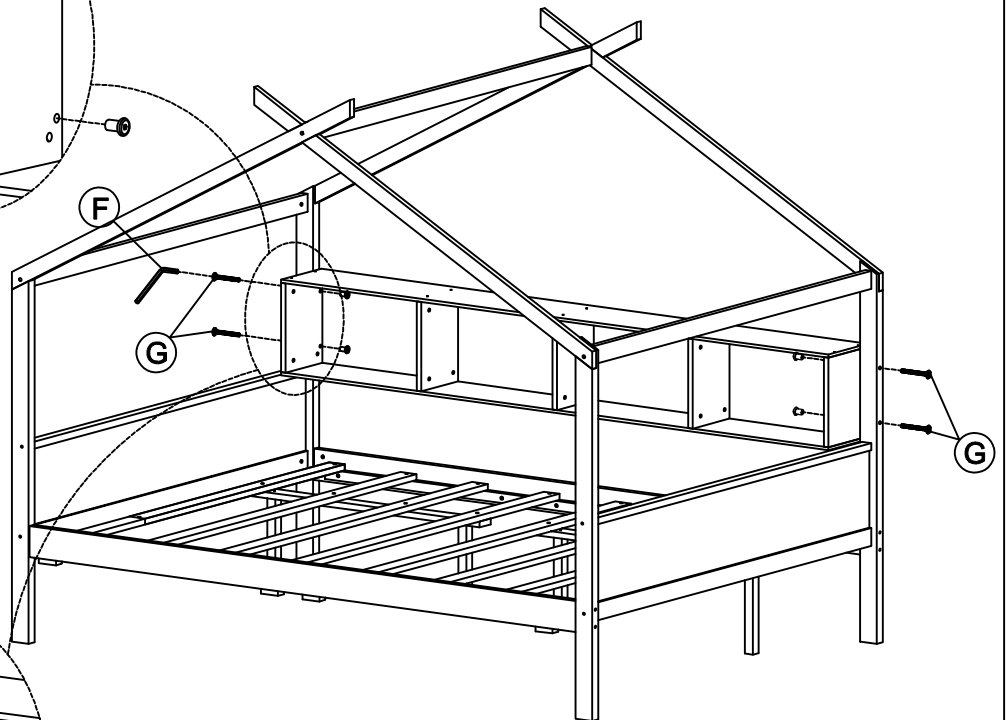
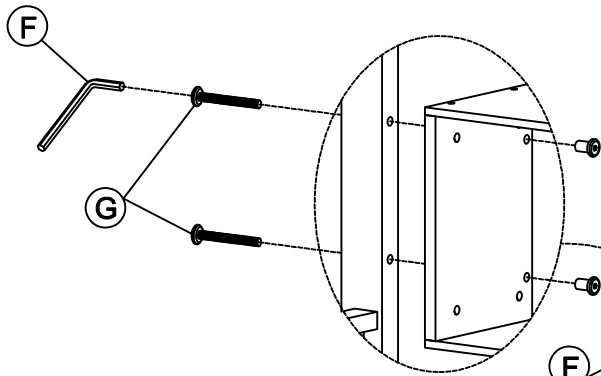
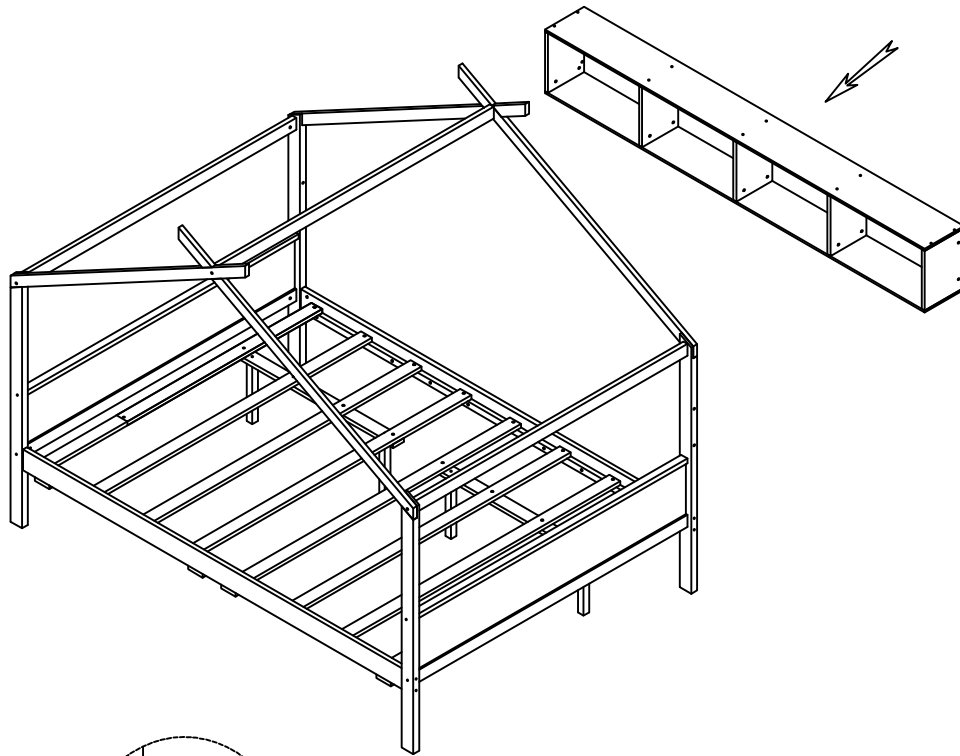
F 4x58





1PC

ASSEMBLY INSTRUCTIONS

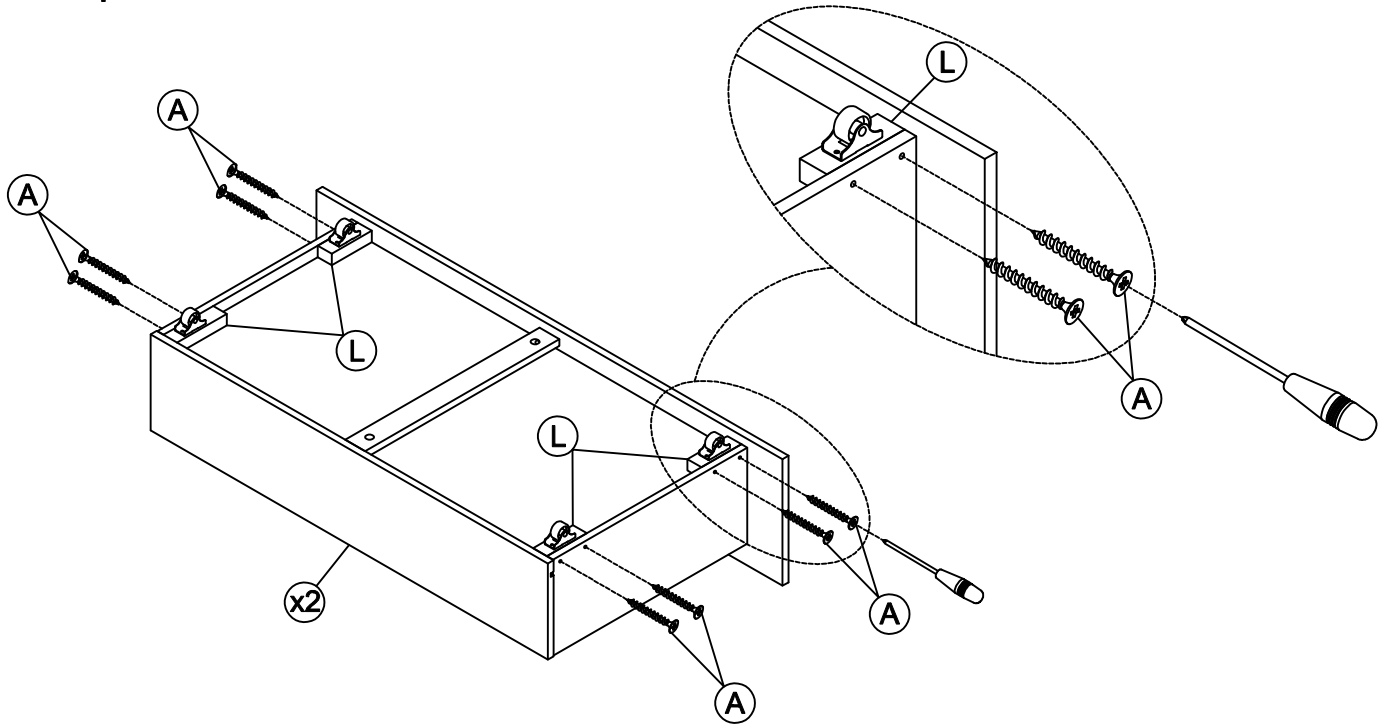
Step 7


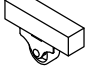


G	1/4x65		4PCS	F	4x58		1PC
----------	--------	---	------	----------	------	---	-----

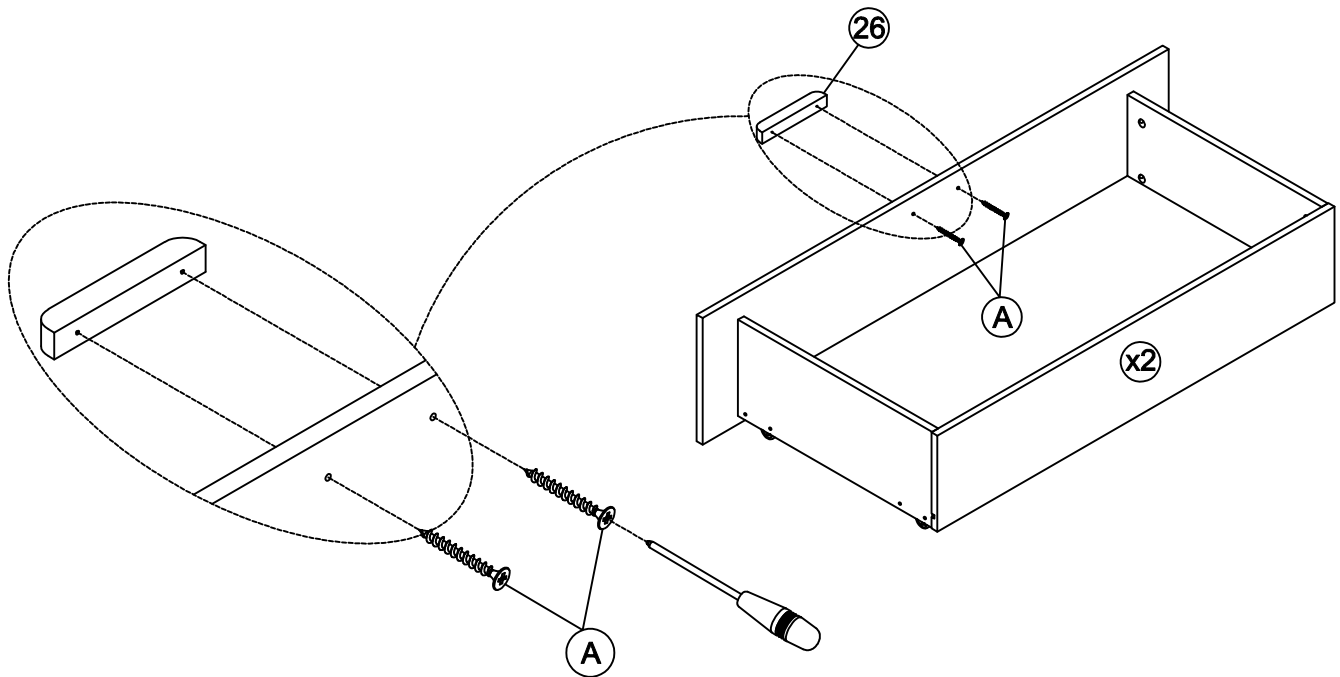
ASSEMBLY INSTRUCTIONS

Step 10



A	Ø4x30		16PCS	L		8PCS
----------	-------	---	-------	----------	---	------

Step 11



A	Ø4x30		4PCS
----------	-------	---	------

ASSEMBLY INSTRUCTIONS

Step 12

