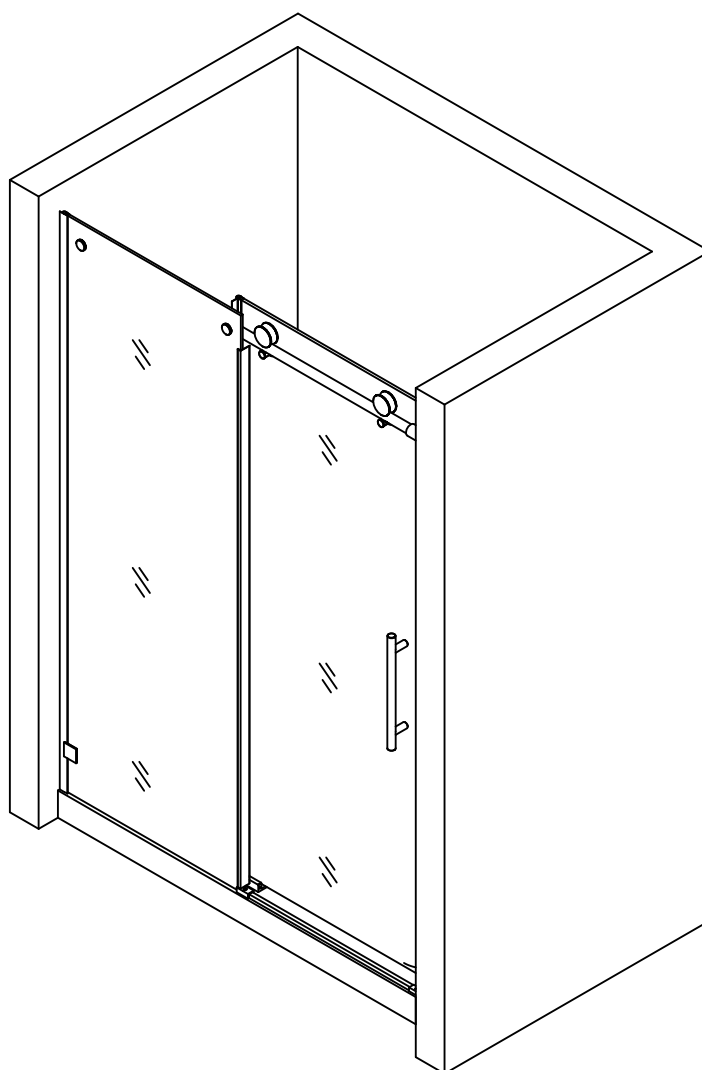


# Shower Door Installation Instructions

## SS04H



**Plz do not just return when meeting difficulties in installation, just contact your seller for help.**

---

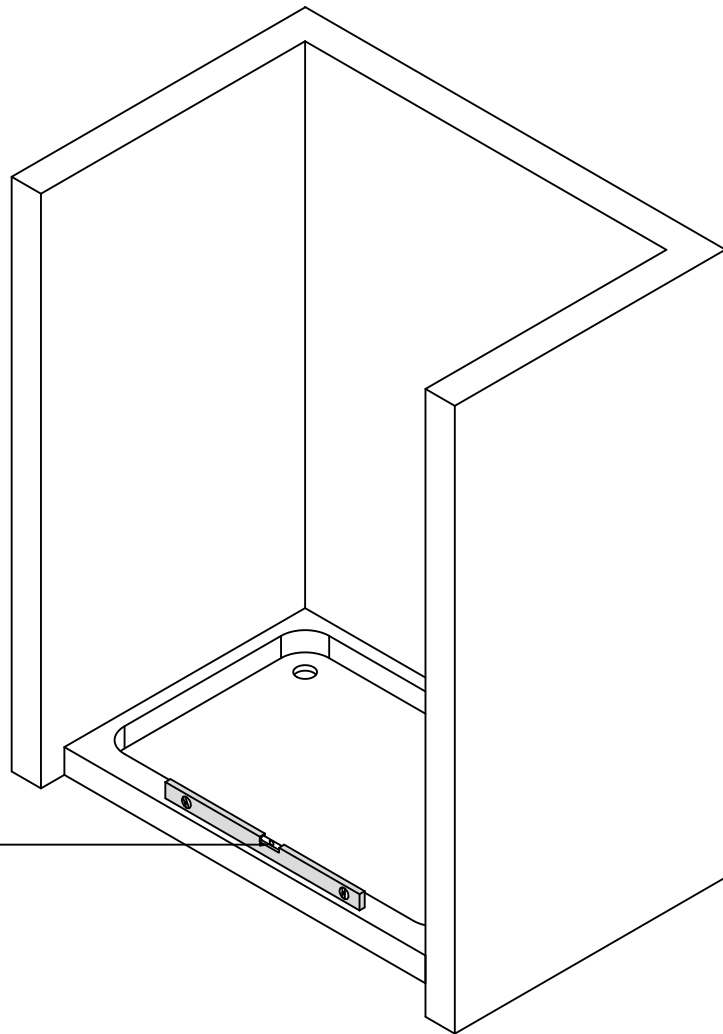
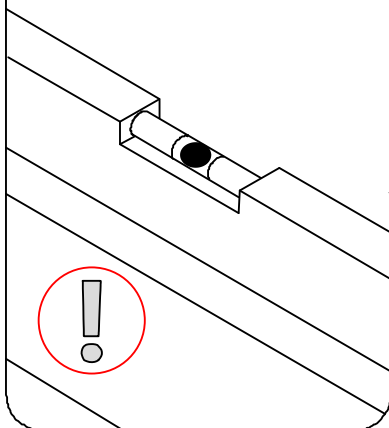
## Model Specific Preparation



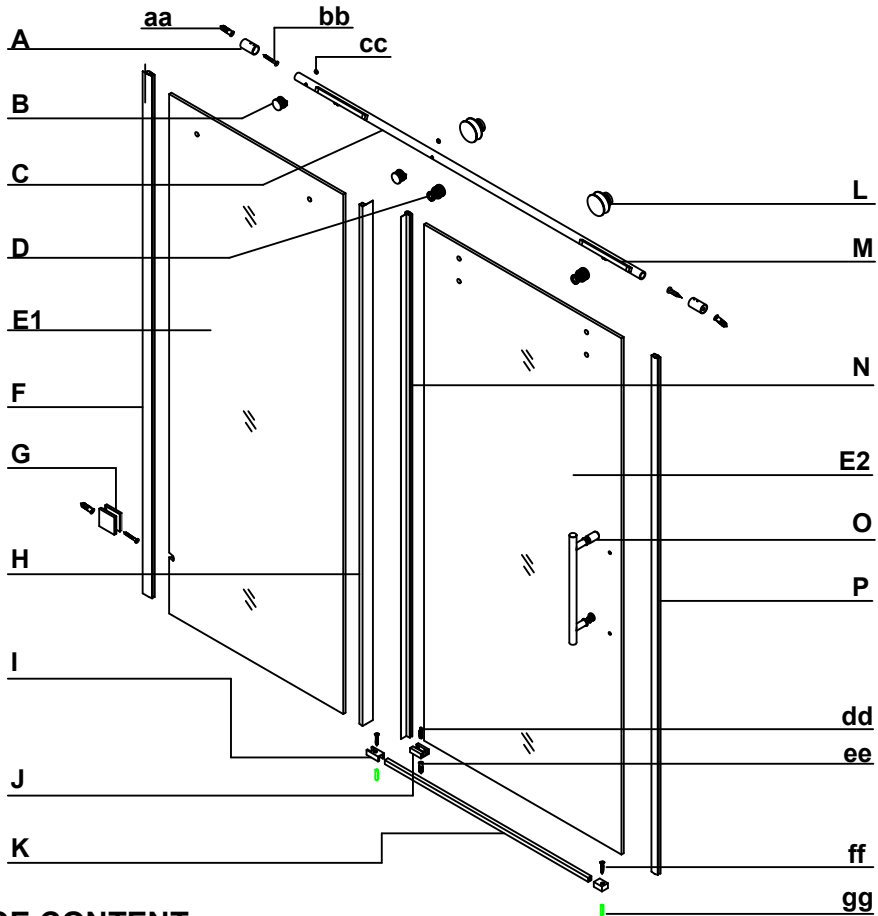
**REQUIRED:**

Verify that the threshold is level by using a straight edge or a level tool. Adjust the threshold as necessary to ensure it is perfectly horizontal

The threshold must be horizontal



**PACKAGE CONTENT**

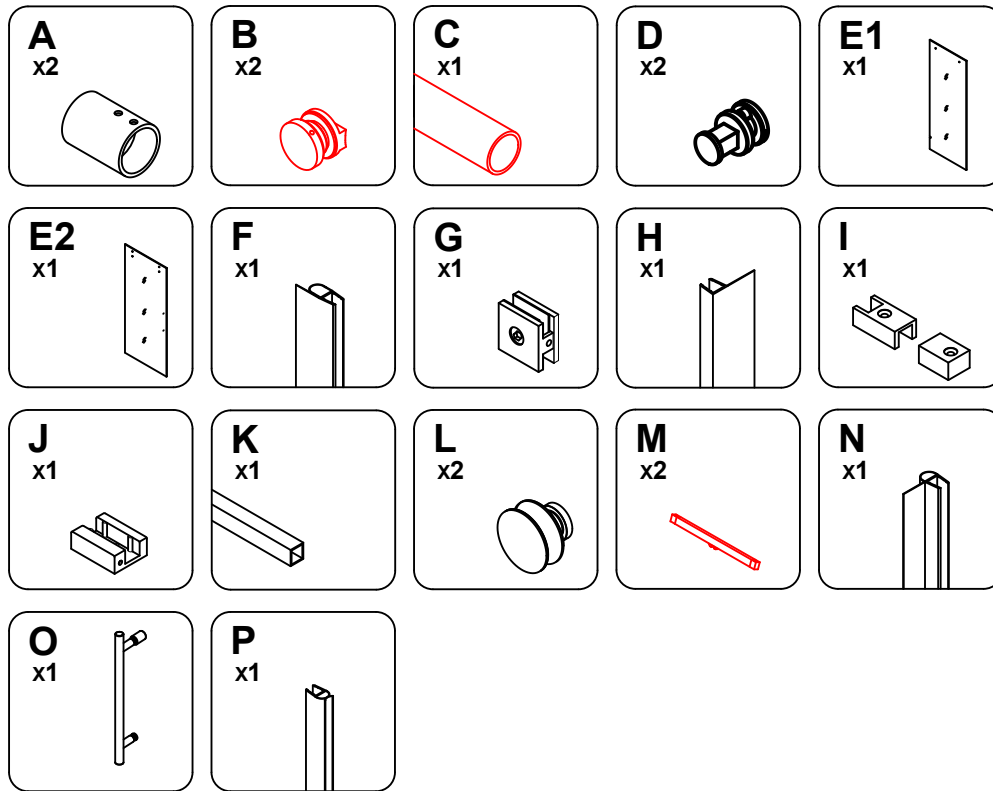


**PACKAGE CONTENT**

PART#	DESCRIPTION	QTY	PART#	DESCRIPTION	QTY
A	Slide rail support	2	J	Bottom Guide Block	1
B	Fixed Panel Bracket	2	K	Waterproof Threshold	1
C	Guide rail	1	L	Ø55 Sliding Roller	2
D	Buffer Starter	2	M	Soft-Close	2
E1	Fixed panel	1	N	Waterproof Seal	1
F	Side water barrier strip	1	E2	Sliding panel	1
G	Fixed glass clamp	1	O	Handle	1
H	Water Barrier Seal	1	P	Waterproof Seal	1
I	Bottom Connector	1			

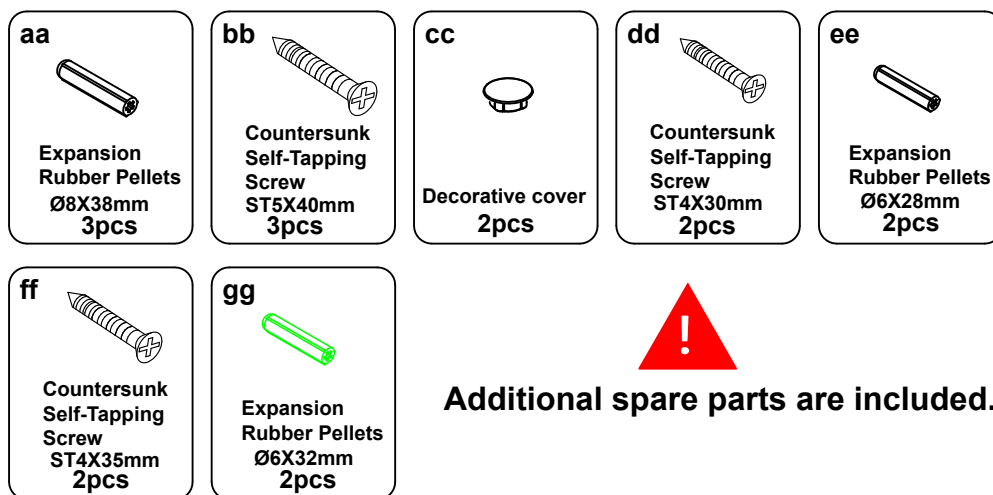
**NOTE** Please inspect all parts for any missing items before installation!  
If any part is missing, please contact us.

## PACKAGE CONTENT



2 pieces of **Fixed Panel Bracket (B)** and 2 pieces of **Soft-Close (M)** are pre-installed on **Guide rail (C)**

## HARDWARE CONTENT



**Additional spare parts are included.**



**Inspect all parts for any missing items prior to installation!  
Contact us if any parts are missing.**


**TOOLS REQUIRED**

**Drill Bits**




Ø1/4" & Ø5/16" (6 & 8mm) dia.  
HSS

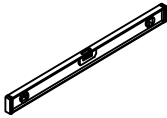
**Screw Driver**



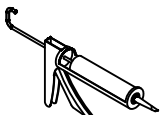
**Electric Drill**




**Level**




**Silicone**



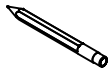
**Measuring Tape**



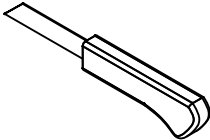
**Soft Head Hammer**



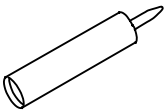
**Pencil**



**Knife**



**Sealant**



**Masonry Drill Bit For Tile  
Ø6mm**



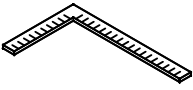
**Safety Glasses**



**Gloves**



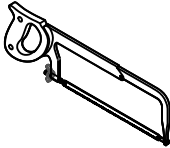
**Carpenter's Squarer**



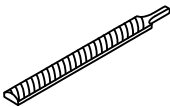
**Masking or Painter's Tape**



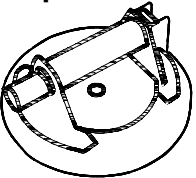
**Hack Saw**



**Metal File**



**Glass suction Cup**



## SAFETY INFORMATION

### CAUTION

Please carefully read the following important safety information before handling or installing this shower door. There is a risk of serious injury while handling this product.

To minimize these risks, please note:

- Always wear safety glasses and gloves while handling.
- Always follow the installation instructions.
- Inspect the glass for damage before installation.
- Extreme caution should be taken while handling the glass during installation, as the tempered glass may shatter if it comes into contact with a hard surface.
- Do not cut or modify the tempered glass, as it will shatter if cut.
- Carefully remove the product from its packaging and keep the packaging until the installation is complete.
- Inspect all parts for damage or missing items. If there is any damage or missing parts prior to installation, please contact your seller for help.
- Cover the drain with tape to prevent the loss of small parts.
- The shower base and finished walls should be installed before beginning the shower door installation.
- During installation, protect the shower floor with a drop cloth to prevent damage.
- This product should be installed by two people who are familiar with construction requirements. Professional installation is recommended!
- Keep this installation manual for future reference.

**NOTE:** Two people should perform this installation.



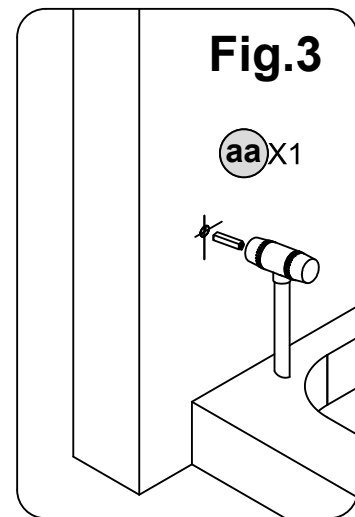
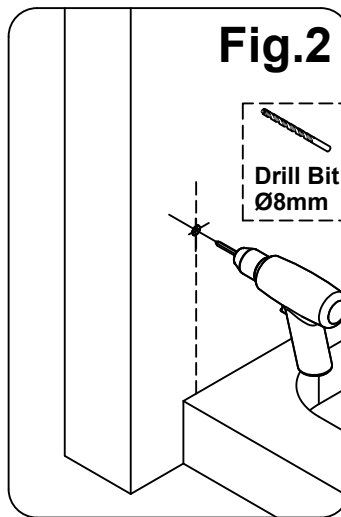
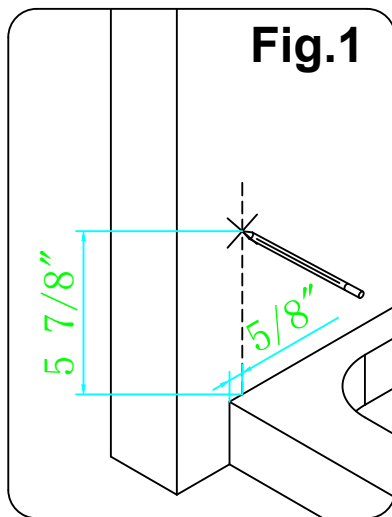
**1** Install Fixed **fixed glass clamp(G)**

1. At 5 7/8" (150mm) high, 5/8" (16mm) away from the edge, mark the location with a pencil.

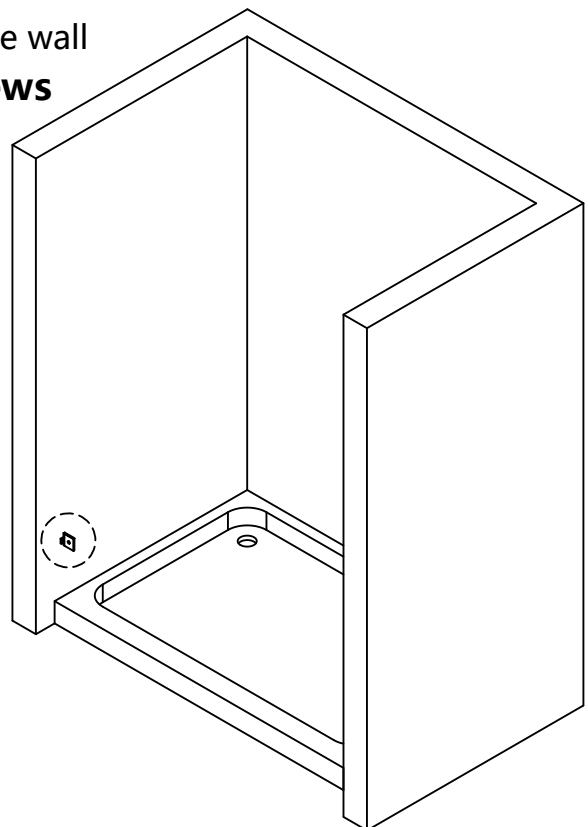
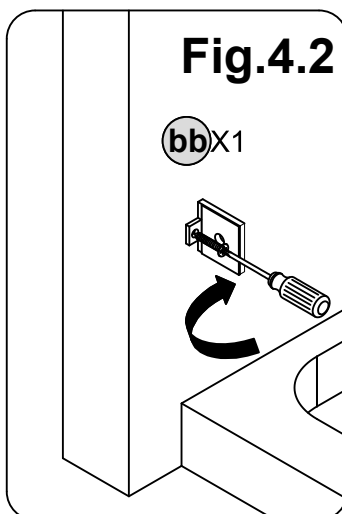
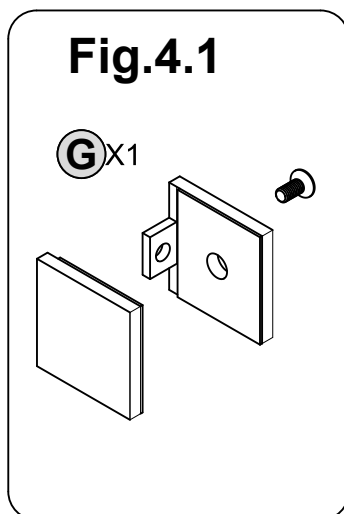
**NOTE**

2. Use an electric drill to bore an 8mm hole at the marked position.

3. Use a soft-faced hammer to drive the **expansion rubber pellets** **Ø8x38mm (aa)** into the wall.



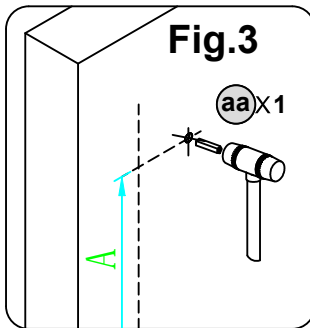
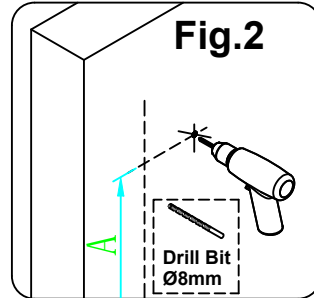
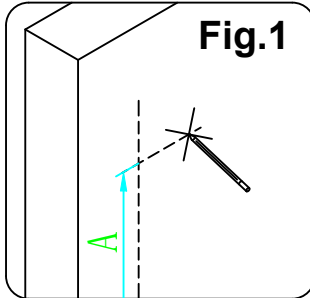
4. Secure the **fixed glass clamp(G)** to the wall with **countersunk Self-Tapping screws** **ST5X40mm (bb)**



## 2 Install Slide Rail Support(A)

**NOTE**

1. Mark with a pencil at a height of A, (25.4mm) away from the center of the **fixed glass clamp(G)** hole.
2. Use an electric drill to bore an 8mm hole at the marked position.
3. Use a soft-faced hammer to drive the **expansion rubber pellets Ø8x38mm (aa)** into the wall.

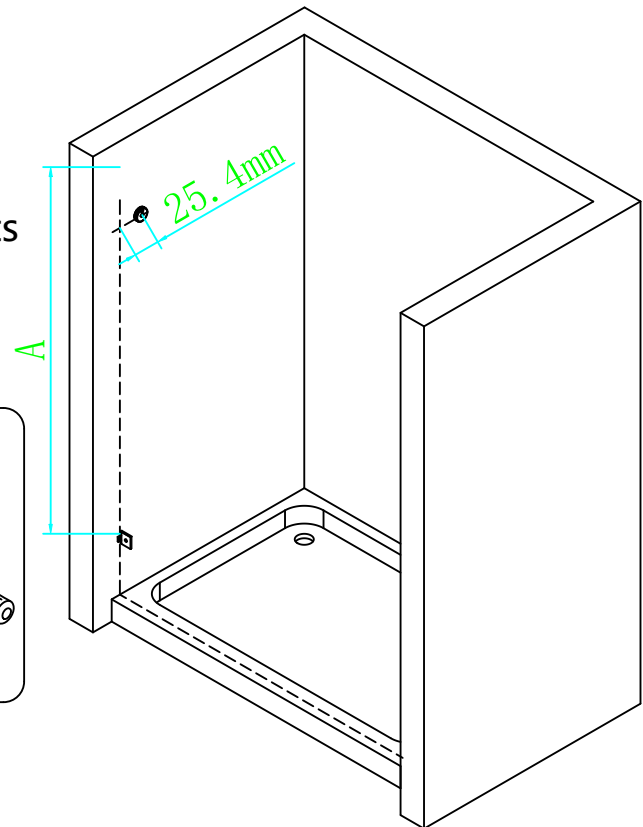
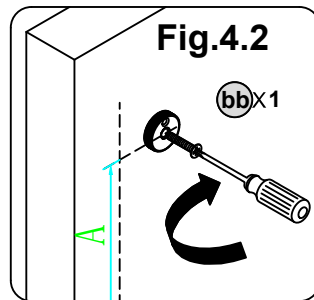
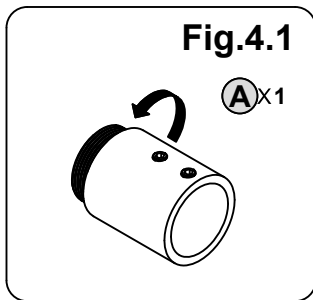


Product Height	A
60"(1524mm)	57"(1448mm)
66"(1676mm)	63"(1600mm)
70"(1778mm)	67"(1702mm)
72"(1828mm)	69"(1752mm)
74"(1880mm)	71"(1804mm)
76"(1930mm)	73"(1854mm)
78"(1981mm)	75"(1905mm)
79"(2006mm)	76"(1930mm)
80"(2032mm)	77"(1956mm)

\*A=product height-3"(76mm)

\*Without the size, please contact the local dealer.

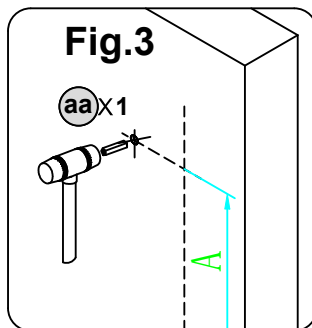
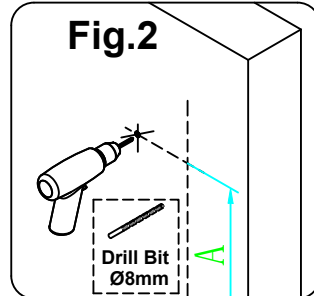
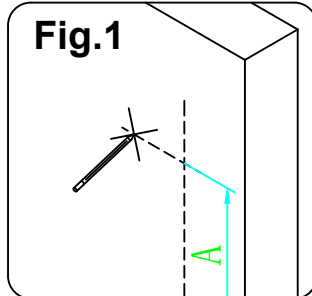
4. Secure the left guide rail brackets to the wall using **countersunk self-Tapping screws ST5X40mm (bb)**



## 3 Install Slide Rail Support(A)

**NOTE**

1. Mark with a pencil at a height of A, (25.4mm) away from the center of the **fixed glass clamp(G)** hole.
2. Use an electric drill to bore an 8mm hole at the marked position.
3. Use a soft-faced hammer to drive the **expansion rubber pellets Ø8x38mm (aa)** into the wall.

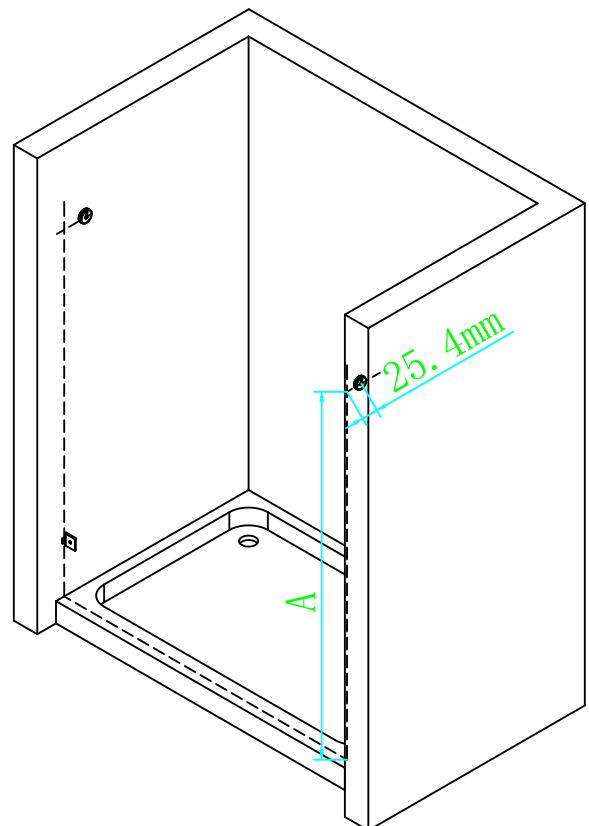
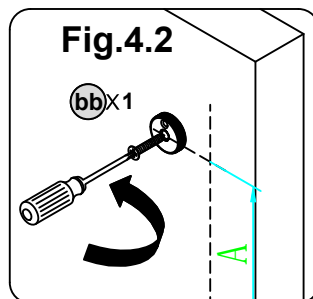
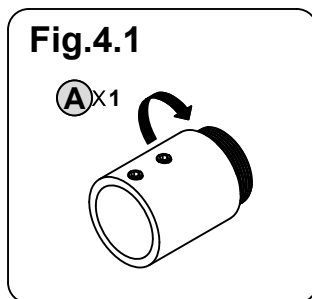


Product Height	A
60"(1524mm)	57"(1448mm)
66"(1676mm)	63"(1600mm)
70"(1778mm)	67"(1702mm)
72"(1828mm)	69"(1752mm)
74"(1880mm)	71"(1804mm)
76"(1930mm)	73"(1854mm)
78"(1981mm)	75"(1905mm)
79"(2006mm)	76"(1930mm)
80"(2032mm)	77"(1956mm)

\*A=product height-3"(76mm)

\*Without the size, please contact the local dealer.

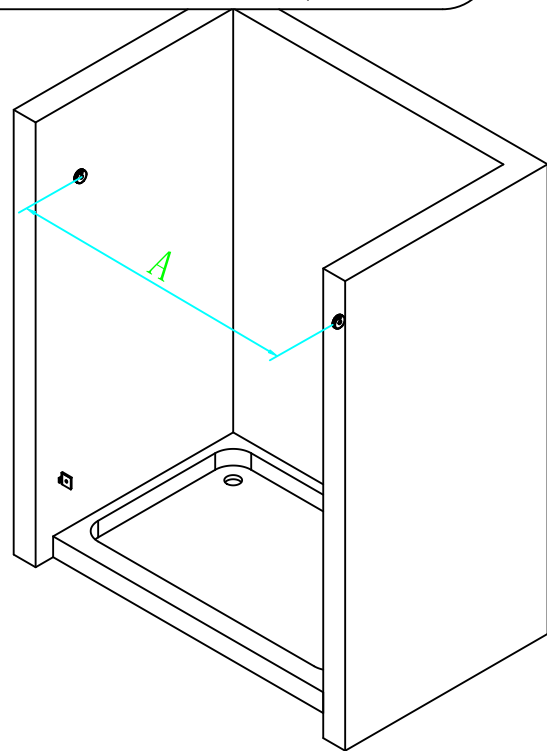
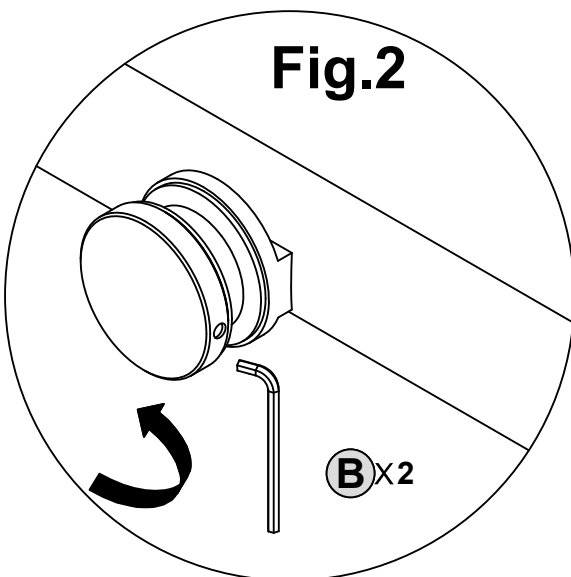
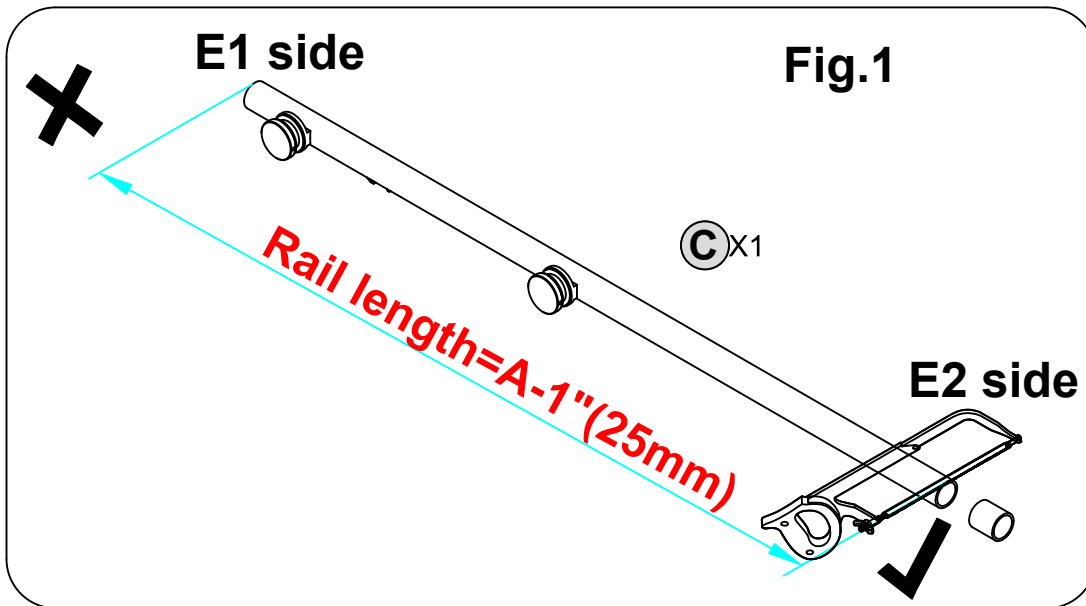
4. Secure the right guide rail brackets to the wall using **countersunk self-Tapping screws ST5X40mm (bb)**



**4** Processing The **Guide Rail (C)**

**NOTE**

1. Measure and mark the excess portion of the **guide rail (C)** on-site, then cut it off. Use an Allen wrench to loosen the **fixed panel bracket(B)** that secures the panel.
2. Use an Allen wrench to loosen the **fixed panel bracket(B)** that secures the panel.

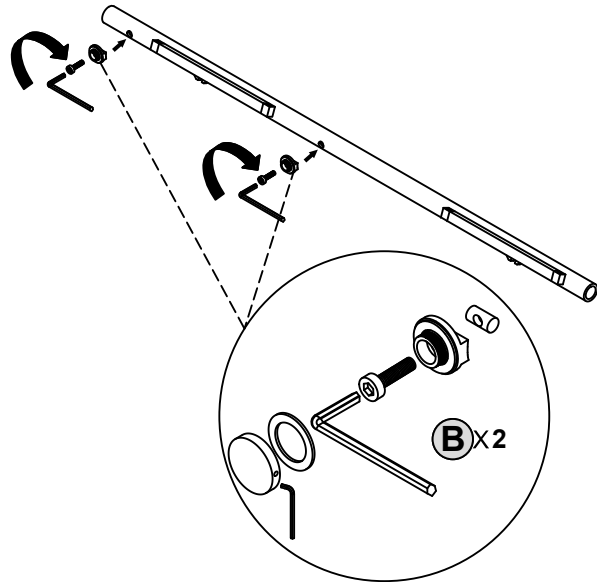
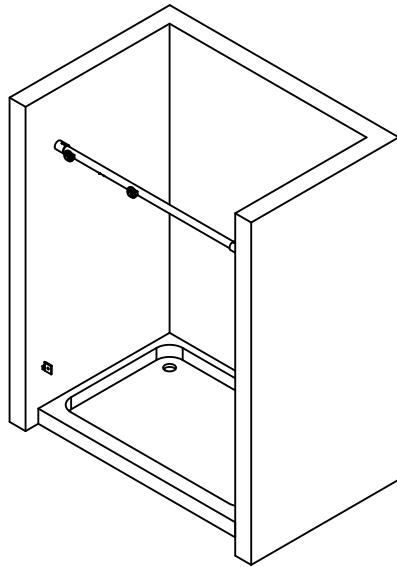


**5** Two different options for **Guide rail (C)** installation.

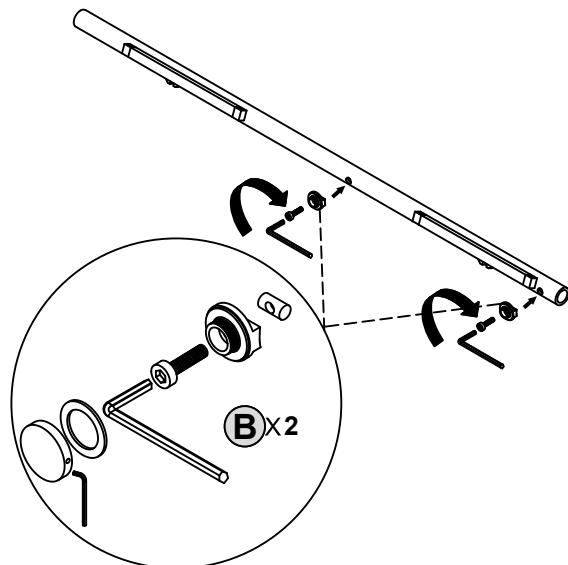
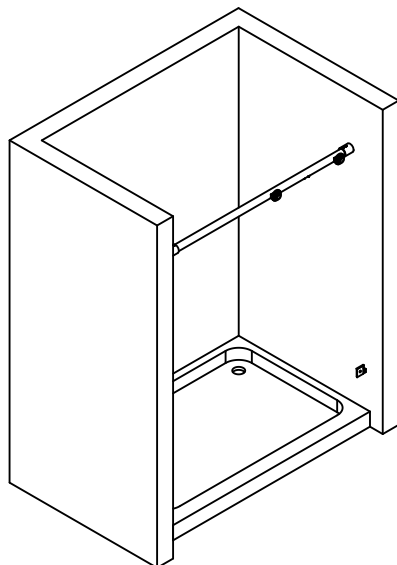
**NOTE**

**Fixed Panel Bracket (B)** and **Guide rail (C)** are pre-assembled at the factory to prevent any parts of **Fixed Panel Bracket (B)** from getting lost during transit. Depending on the installation site conditions, you may need to detach **Fixed Panel Bracket (B)** from **Guide rail (C)** before proceeding with the installation.

**OPTION 1** When the **fixed panel** is installed **on the left side**



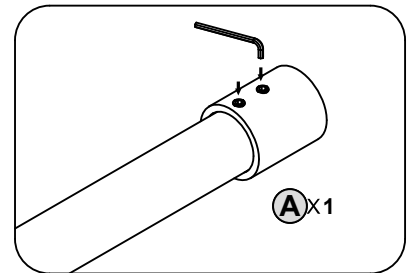
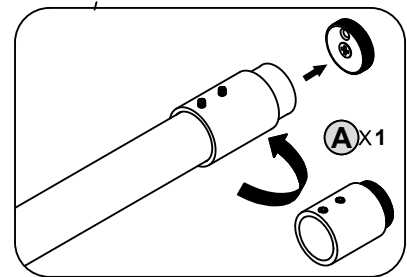
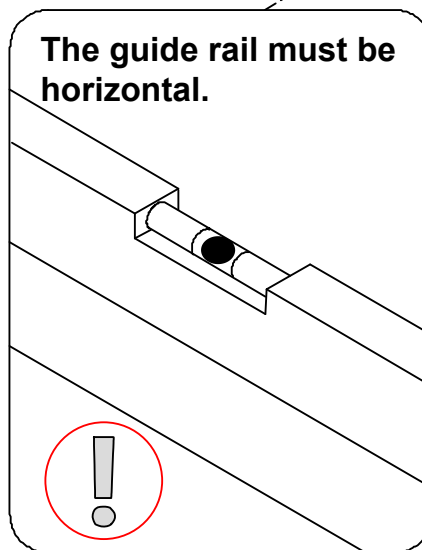
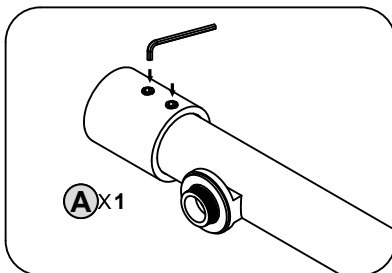
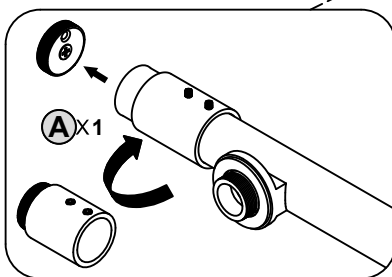
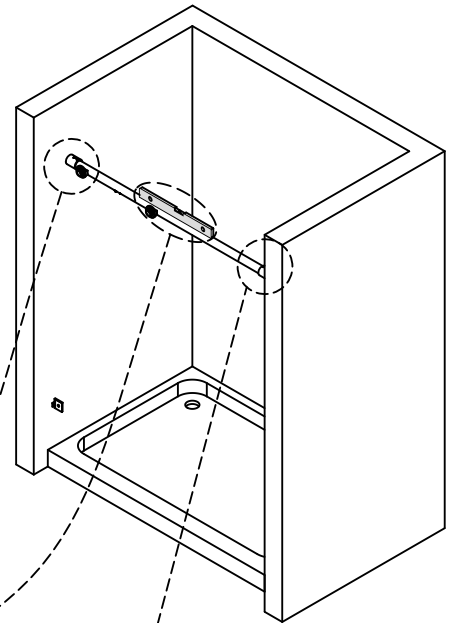
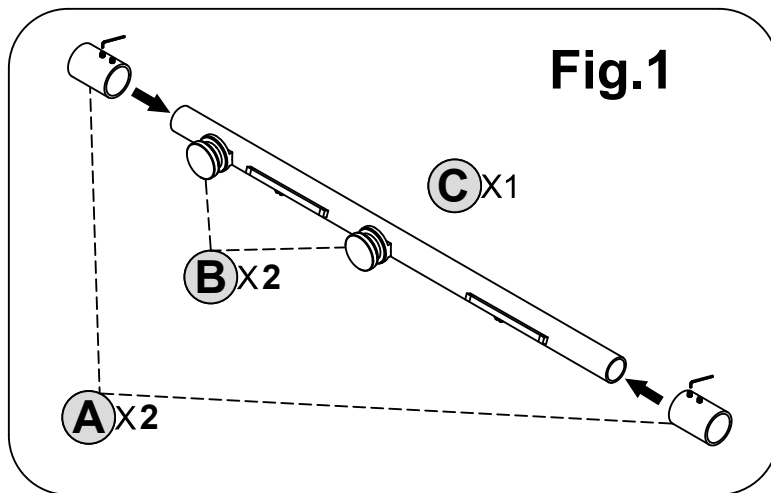
**OPTION 2** When the **fixed panel** is installed **on the right side**



**6** Install the **Guide Rail (C)**

1. Use an Allen wrench to loosen the top screws on the **slide rail support (A)**. Then, fit the **slide rail support (A)** onto the **guide rail (C)**.
2. Secure the left and right **slide rail support (A)** onto the wall-mounted guide rail bracket seats. Use a wrench to tighten the set screws on the **slide rail support (A)**.

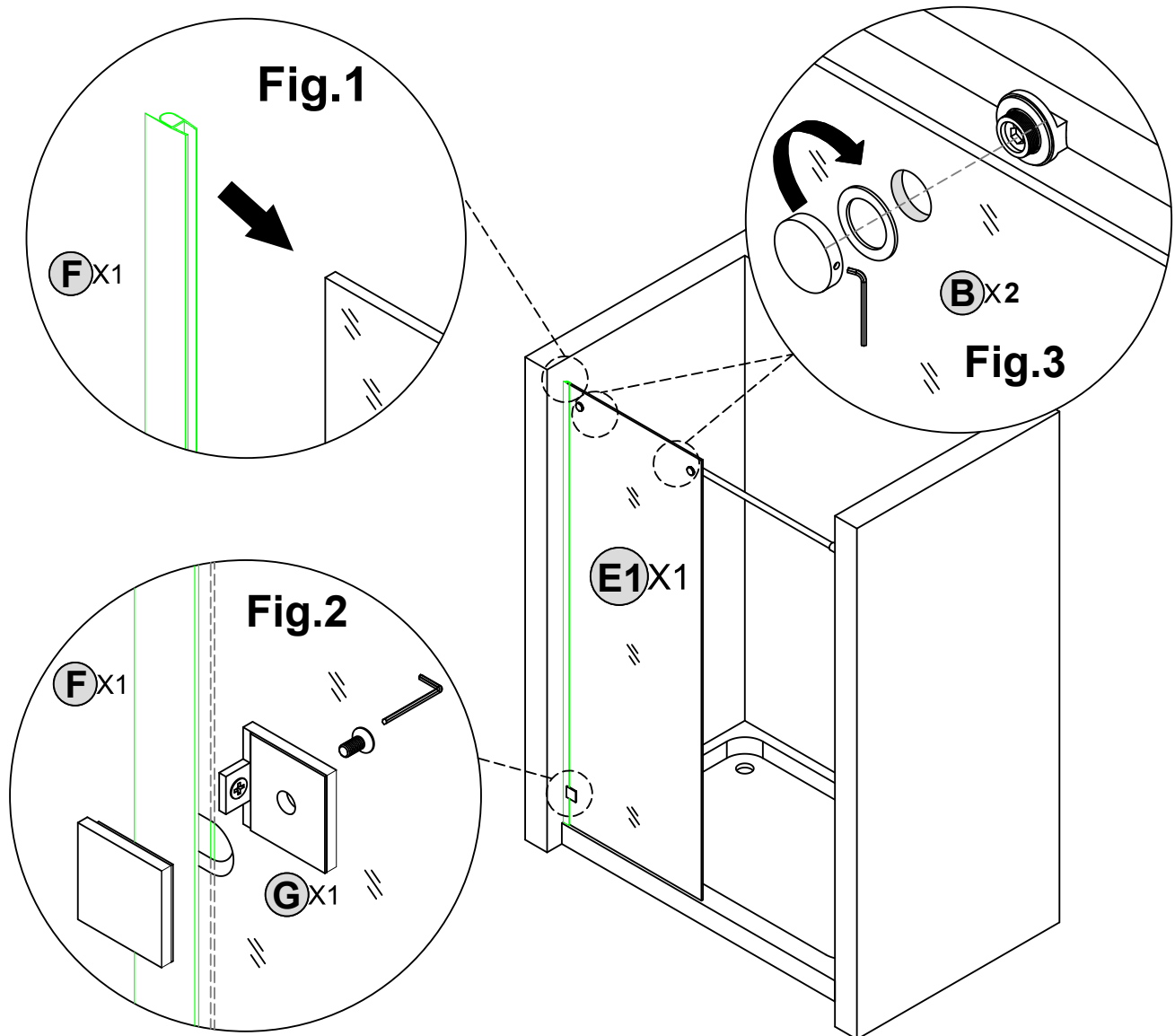
NOTE



## 7 Install Fixed Panel(E1)

NOTE

1. Apply the **Side water barrier strip (F)** to the **fixed panel (E1)**.
2. Lift the **fixed panel (E1)** and align the notch with the **fixed glass clamp (G)**. Secure the **fixed panel (E1)** and the **fixed glass clamp (G)** with a machine screw.
3. Align the holes on the **fixed panel (E1)** with the **fixed panel bracket (B)**. Secure the **fixed panel (E1)** to the **fixed panel bracket (B)** with a cap. Tighten the cap with an Allen wrench.



**8** Install The **Bottom Guide Block(J)**

1. Align one end of the **bottom guide block (J)** flush with the edge of the **fixed panel (E1)**, then mark the position with a pencil where the side of the **bottom guide block (J)** is 1 1/8" (28.7mm) away from the inside surface of the **fixed panel (E1)**.
2. Drill the Hole: Use an electric drill to bore a 6 mm hole at the marked position.
3. Use a soft-faced hammer to drive the **expansion rubber pellets Ø6x28mm (ee)** anchor into the floor.
4. Secure the Guide Block: Secure the **bottom guide block (J)** to the ground with **countersunk self-tapping screws ST5X30mm (bb)**.

NOTE

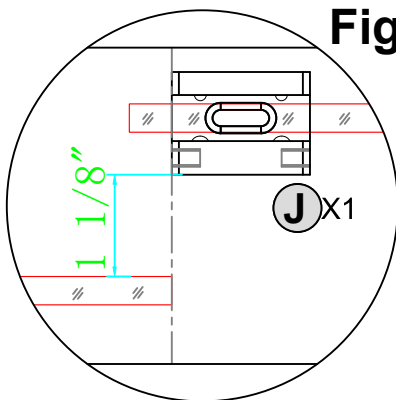


Fig.1.1

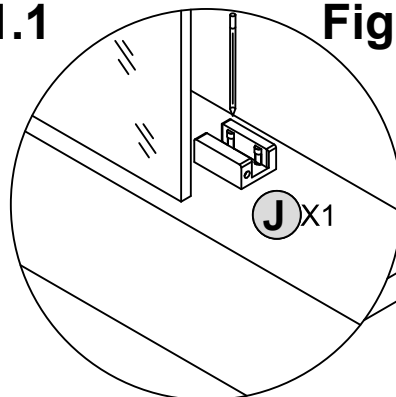


Fig.1.2

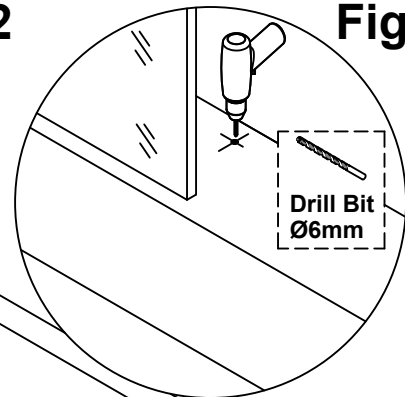


Fig.2

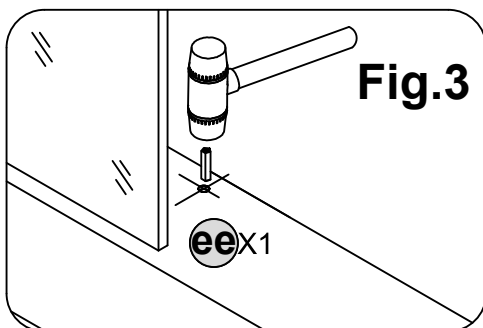


Fig.3

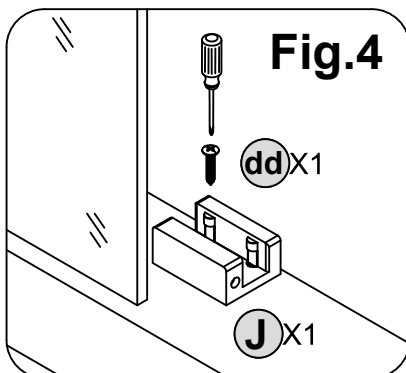
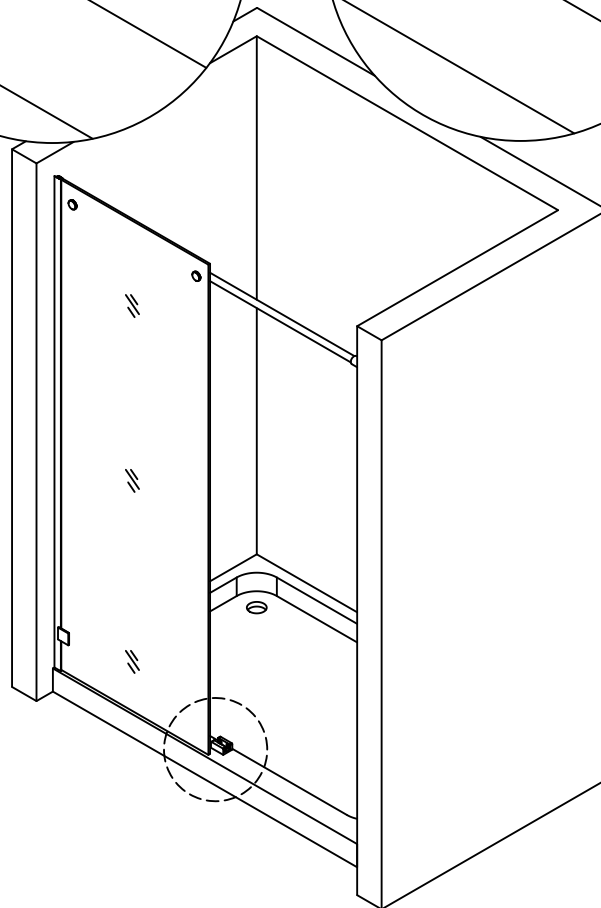
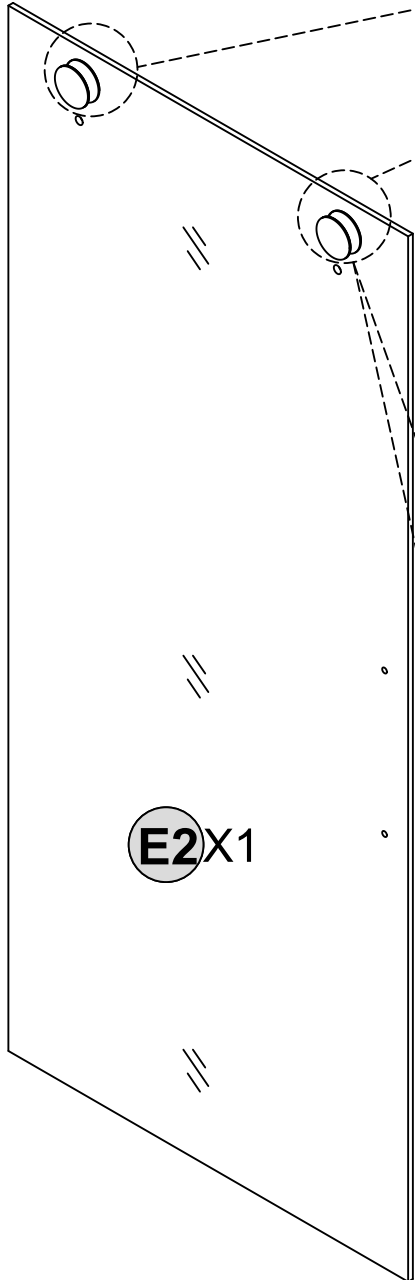
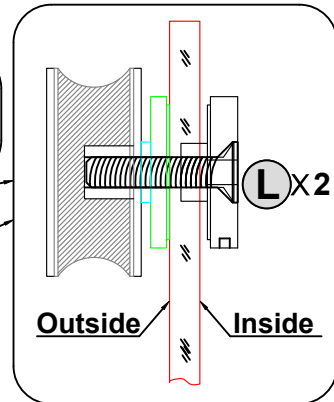


Fig.4

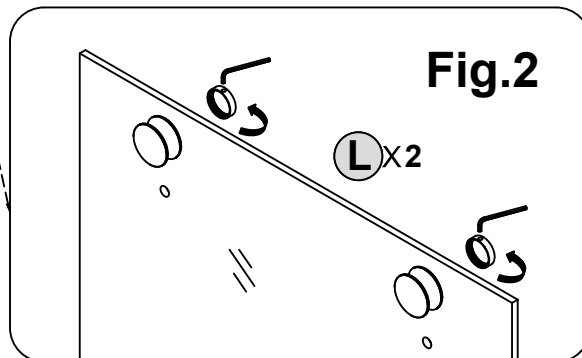
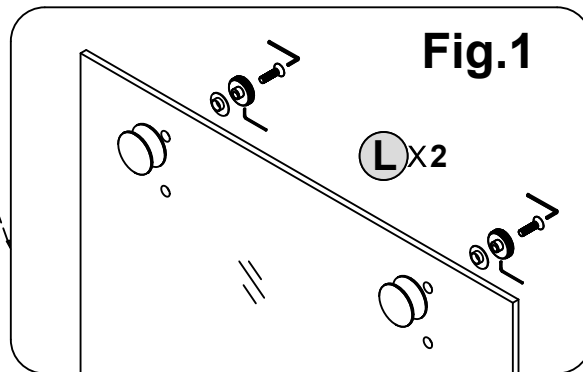


**9** Install the **Ø55 Sliding Roller( L)** on **Sliding Panel (E2)**

**NOTE** The roller should face outward



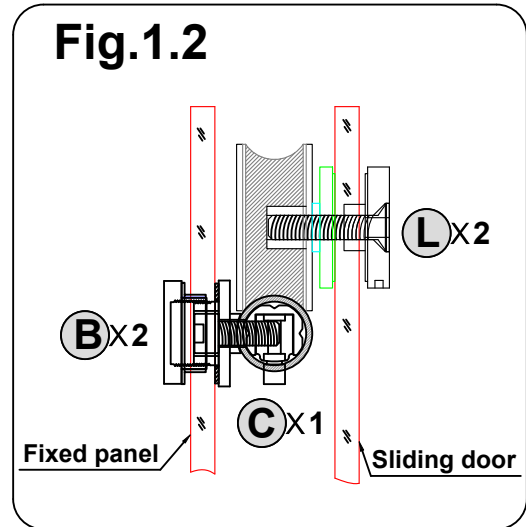
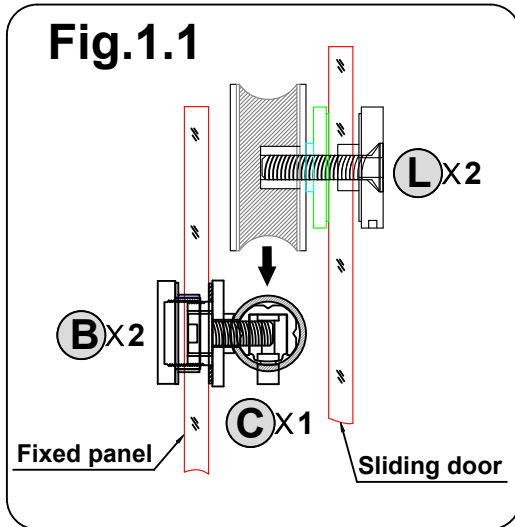
1. Press the Bushings and Secure the Roller: Press the rubber bushing and the threaded bushing into the hole in the **sliding Panel (E2)**. Secure the **Ø55 Sliding Roller( L)** with a countersunk machine screw.
2. Tighten the Cap: Tighten the cap of the **Ø55 Sliding Roller( L)** by using a wrench.



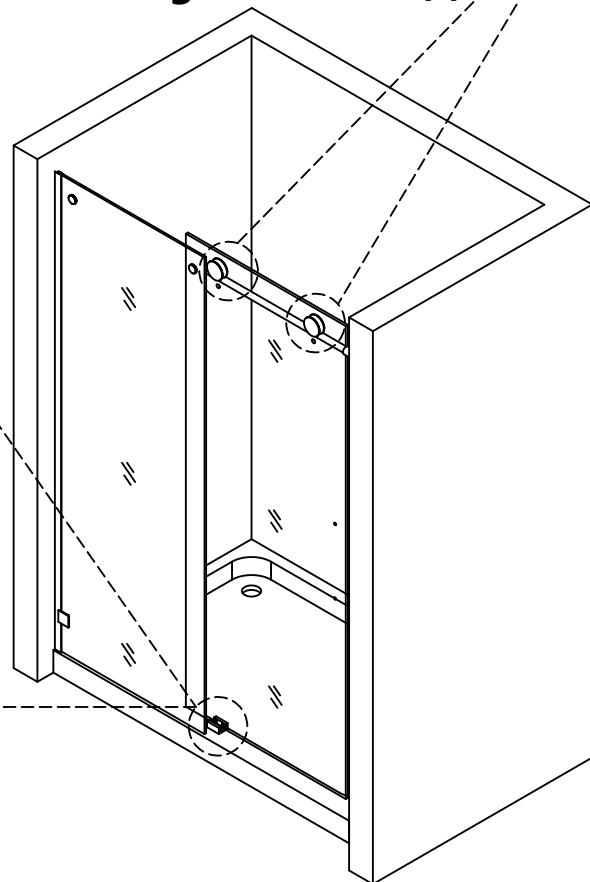
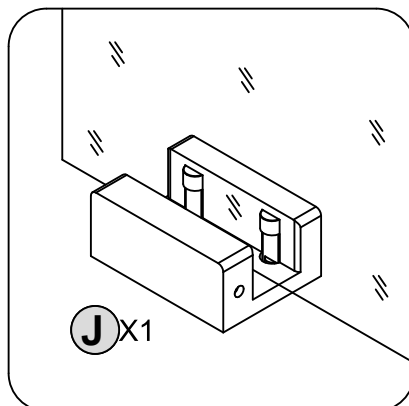
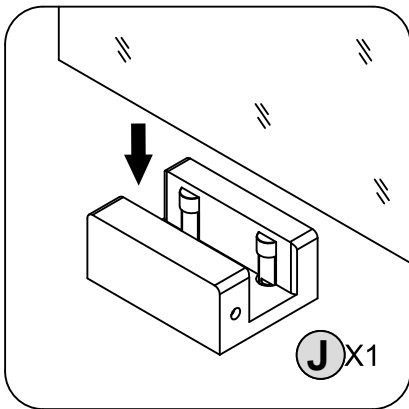
**10** Install **Sliding panel(E2)**

**NOTE**

1. Place the Roller onto the Track:Lift the **sliding panel (E2)** and place the groove of the **Ø55 Sliding Roller( L)** onto the **guide rail (C)**.



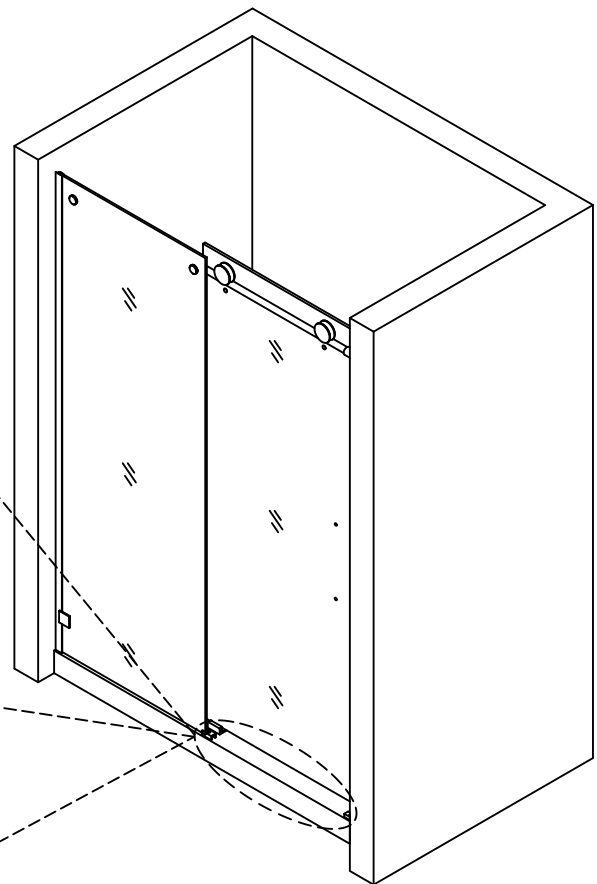
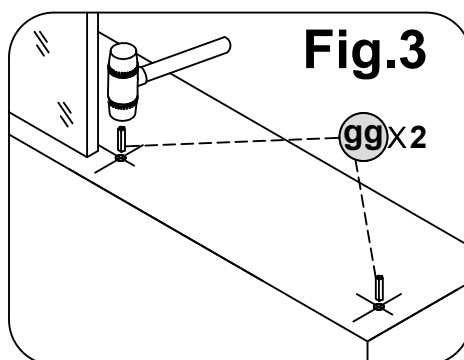
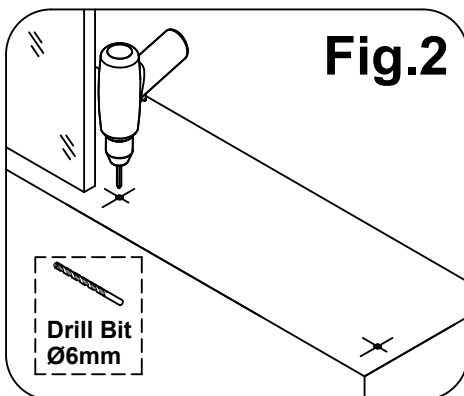
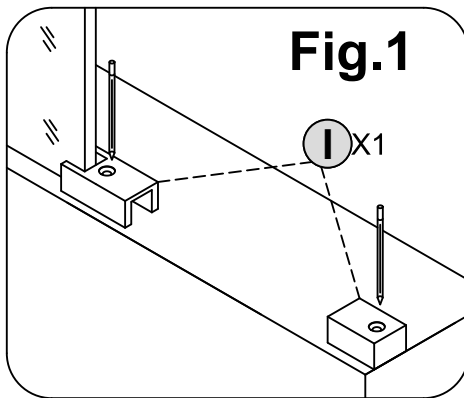
2. Insert the Bottom into the Guide Block:Insert the bottom of the **sliding panel (E2)** into the **bottom guide block (J)**.



# 11 Install The **Bottom Connector(I)**

NOTE

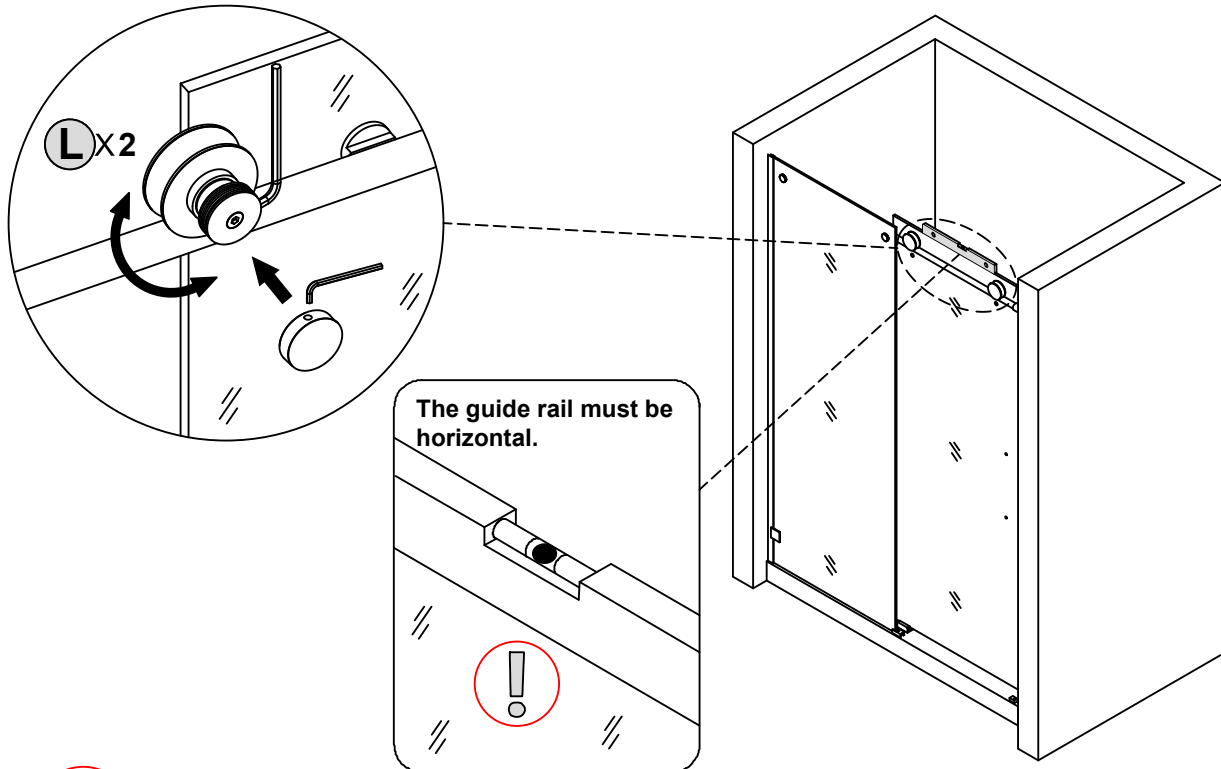
1. Attach the Connector: Snap one end of the **bottom guide block(J)** onto the **fixed panel (E1)**. Ensure that the other end of the **bottom connector (I)** is aligned horizontally with the **bottom guide block (J)** on the **fixed panel (E1)**. Mark the holes where the connectors will be attached.
2. Drill the Holes: Use an electric drill to bore a 6mm hole at each marked position.
3. Use a soft-faced hammer to drive the **expansion rubber pellets Ø6x32mm (gg)** anchor into the floor.



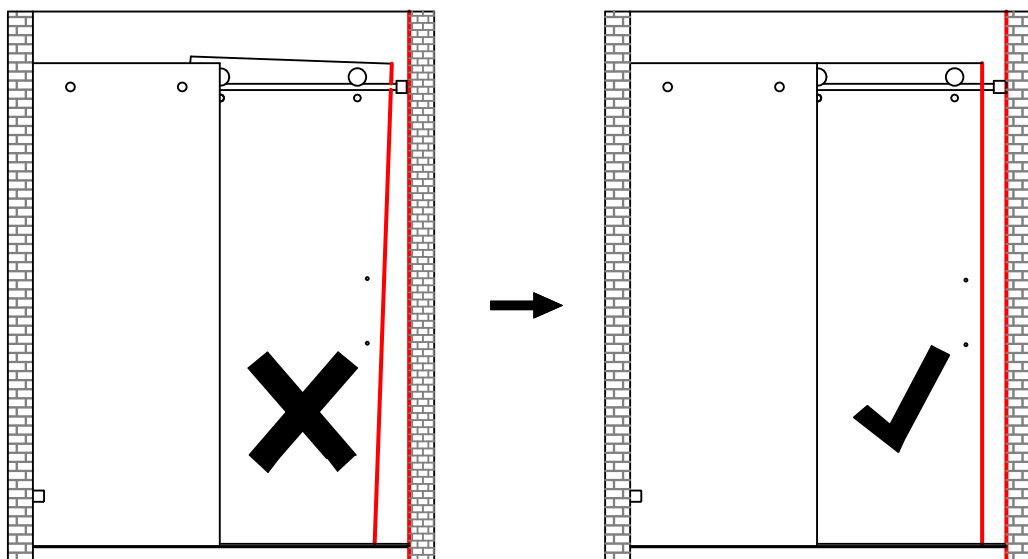
# 12 Adjust The Height Of Sliding Panel (E2)

NOTE

Adjust the **Ø55 sliding roller (L)** height until the door slides smoothly. Use a level to align the **sliding Panel (E2)** edge with the wall, ensuring that the **sliding Panel (E2)** is parallel to the wall. Once adjustments are complete, fasten the cover plate of the **Ø55 sliding roller (L)**.



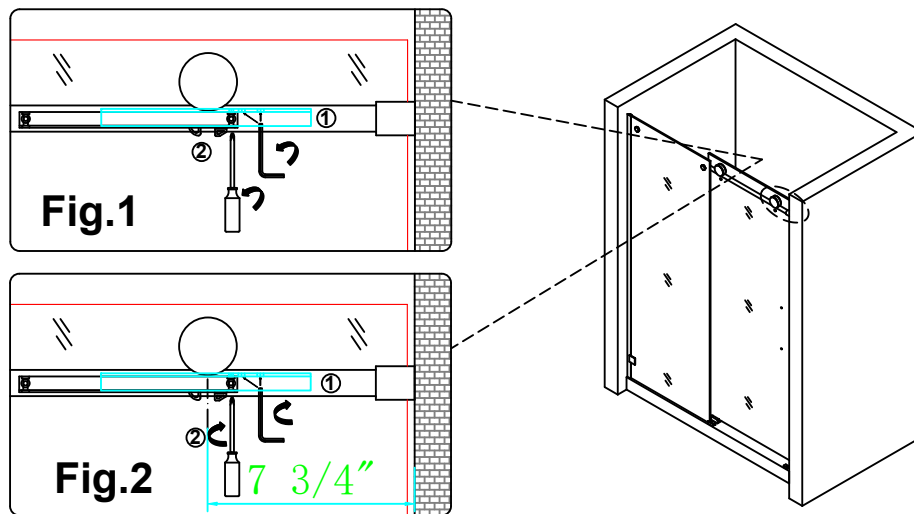
NOTE



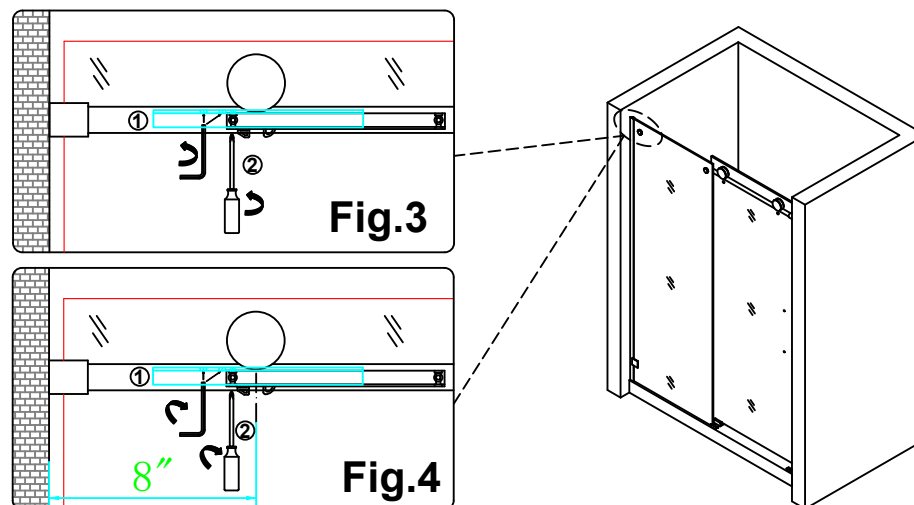
# 13 Adjusting the placement of **Soft-Close (M)**

NOTE

1. First, use a allen wrenche to loosen the set screw on the **Soft-Close (M)** base , then use a screwdriver to loosen the screw on the **Soft-Close (M)**.
2. Move the **Soft-Close (M)** to a position where the center of the release mechanism is  $7 \frac{3}{4}$ " (197mm) from the wall. Tighten the set screw on the **Soft-Close (M)** base with allen wrenche, and the screw on the **Soft-Close (M)** with screwdriver.

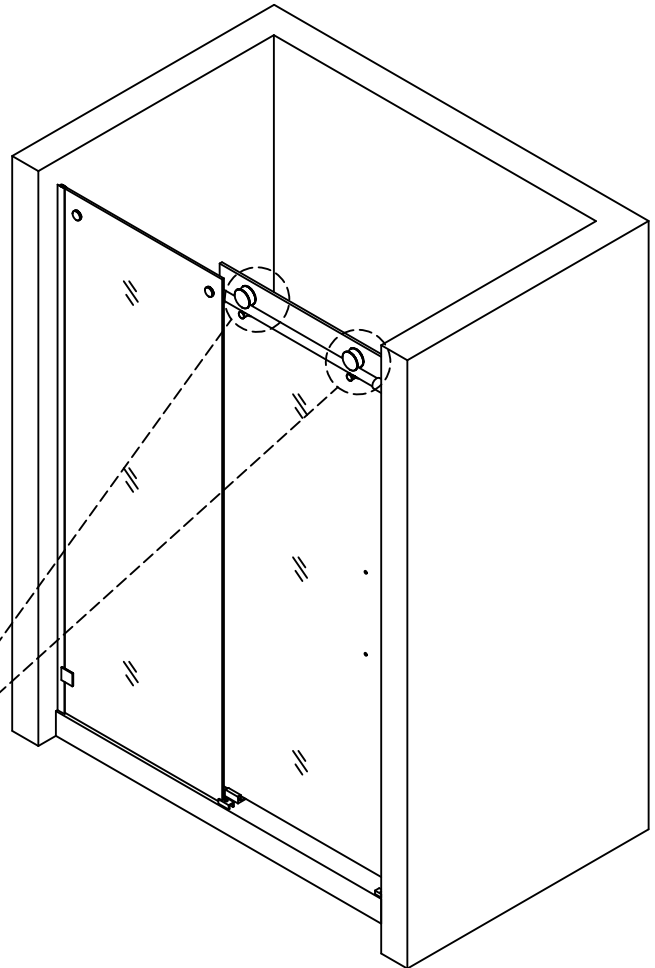
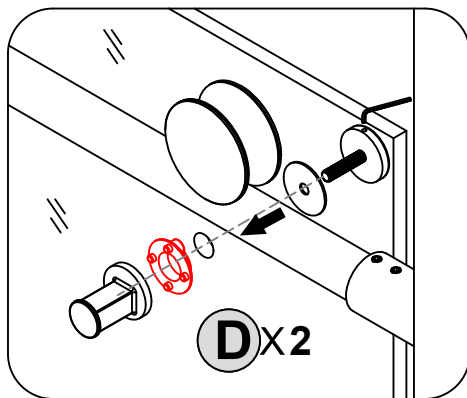
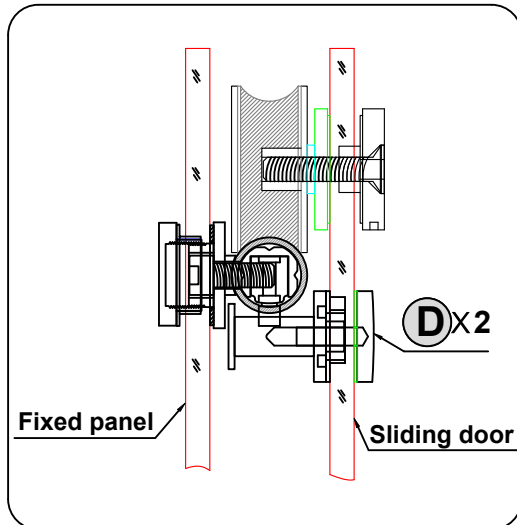


3. First, use a allen wrenche to loosen the set screw on the **Soft-Close (M)** base , then use a screwdriver to loosen the screw on the **Soft-Close (M)**.
4. Move the **Soft-Close (M)** to a position where the center of the release mechanism is 8" (203.5mm) from the wall. Tighten the set screw on the **Soft-Close (M)** base with allen wrenche, and the screw on the **Soft-Close (M)** with screwdriver.

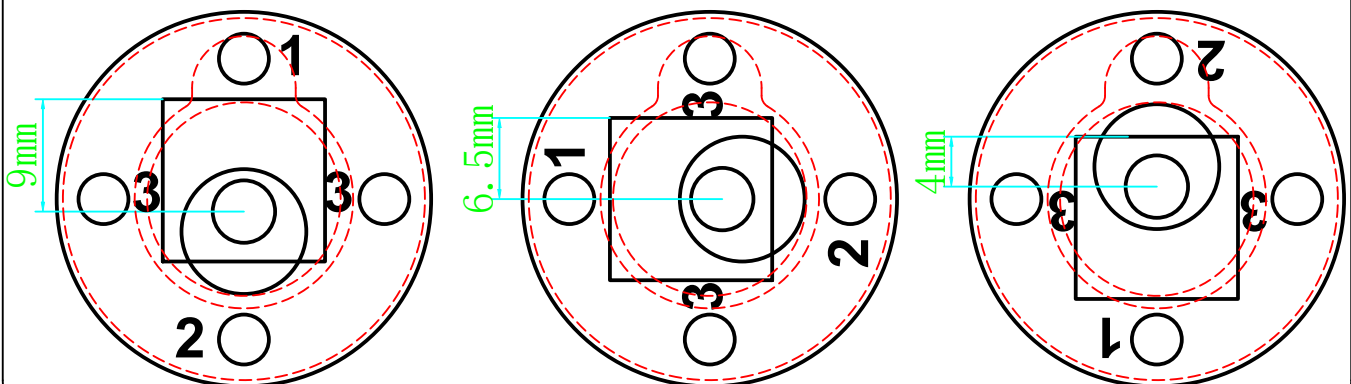


# 14 Buffer Starter (D) Of The Sliding panel (E2)

**NOTE** 1. Install the **buffer starter (D)** on the **sliding panel (E2)**.

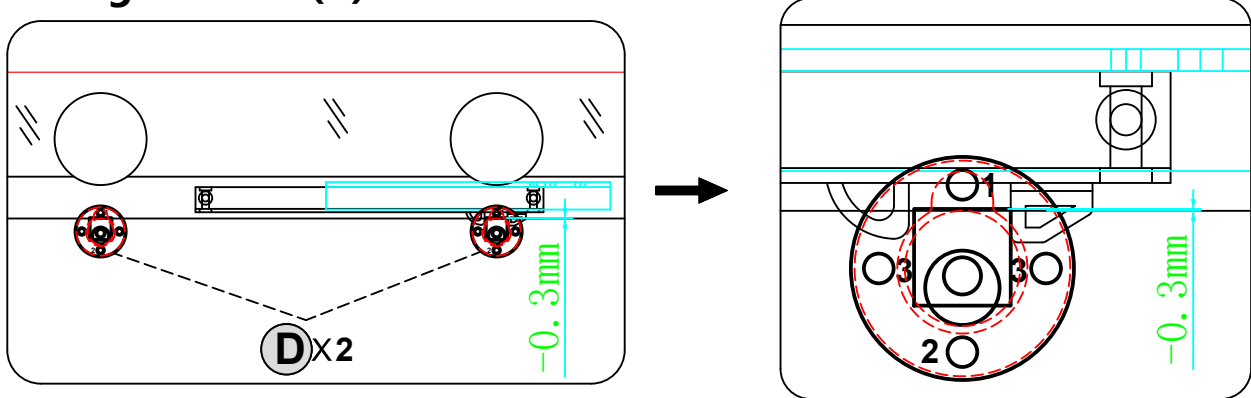


2. **Buffer Starter (D)** may need adjustments to match the buffer system. (refer to page 19)

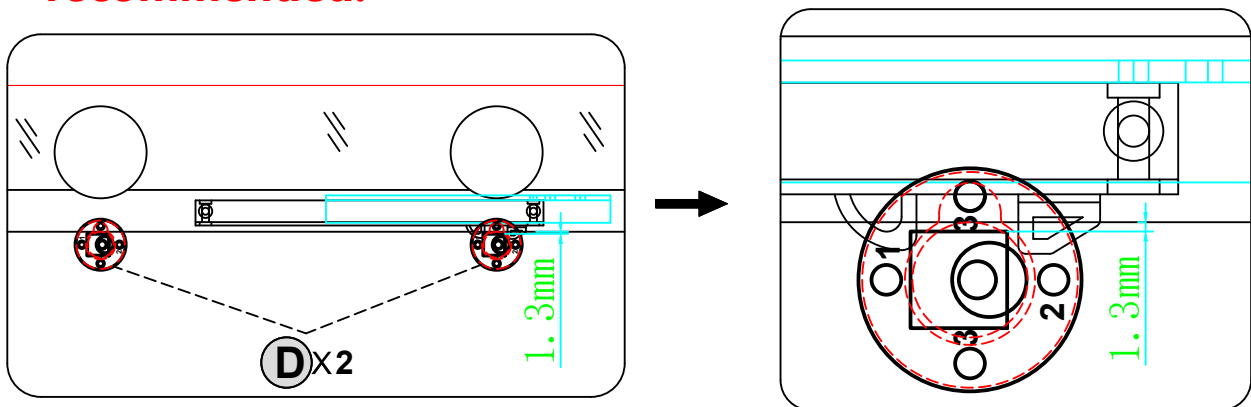


**15** Adjust the height of the **buffer starter (D)** to ensure proper door stop function.

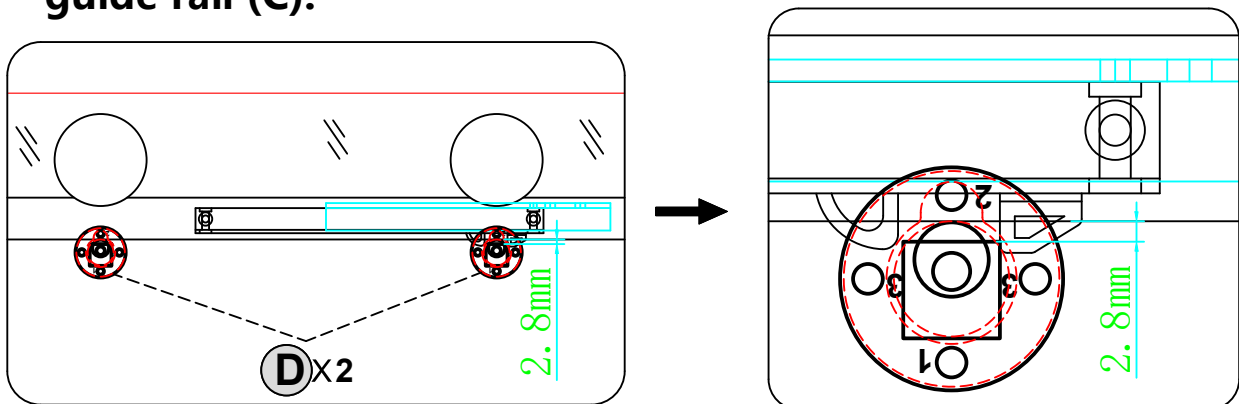
1. When the **buffer starter (D)** is in position 1, it extends -0.3mm beyond the **guide rail (C)**.



2. When the **buffer starter (D)** is in position 3, it is 1.3mm away from the **guide rail (C)**. **Under normal circumstances, position 3 is recommended.**



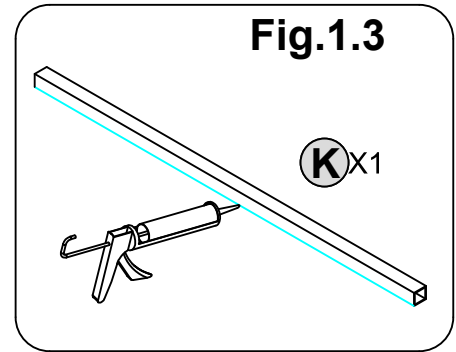
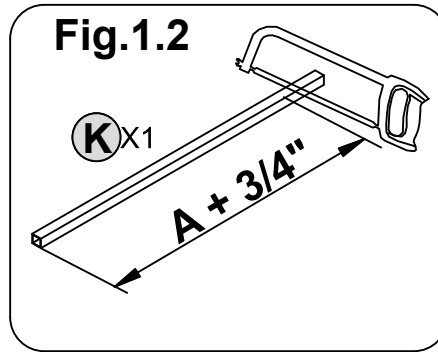
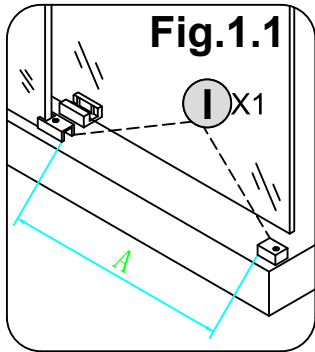
3. When the **buffer starter (D)** is in position 2, it is 2.8mm away from the **guide rail (C)**.



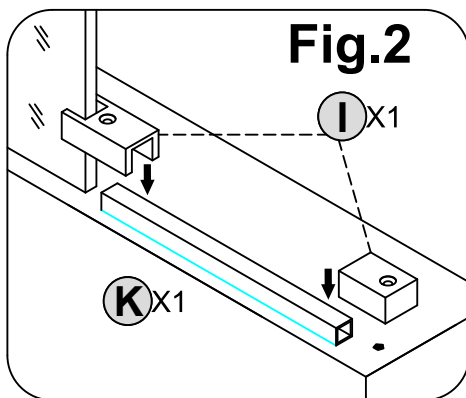
# 16 Install Waterproof Threshold (K)

NOTE

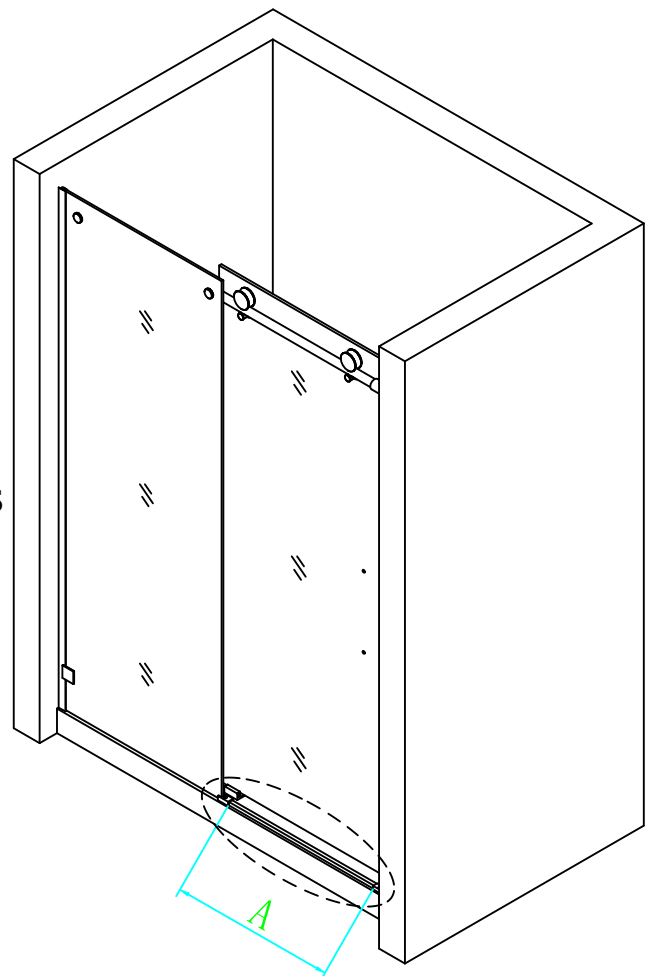
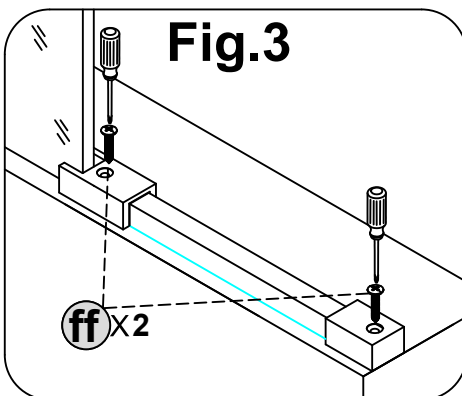
1. Measure on-site and cut off the excess part of the **waterproof threshold (K)** ( $A + 3/4"$ ). Apply silicone sealant to the bottom of the **waterproof threshold (K)**.



2. Insert the **waterproof threshold (K)** into the **bottom connector (I)**.



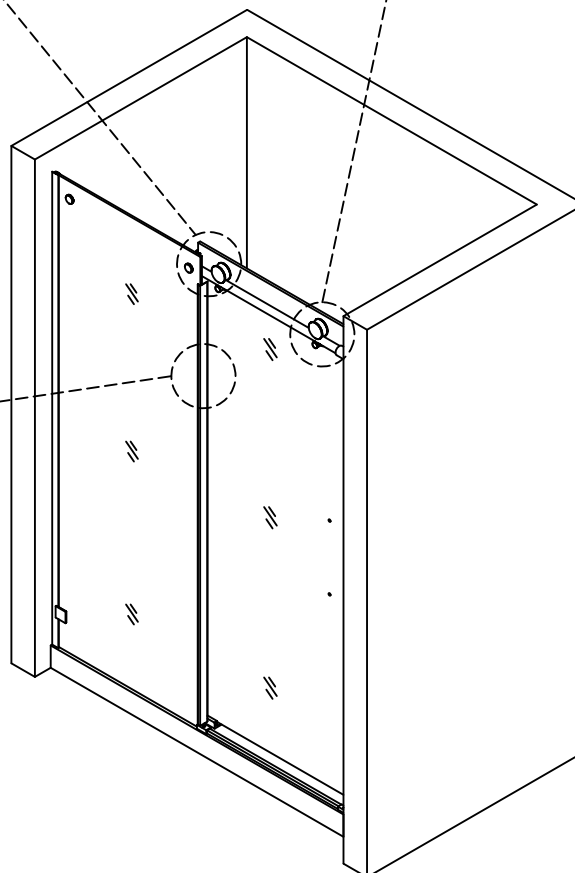
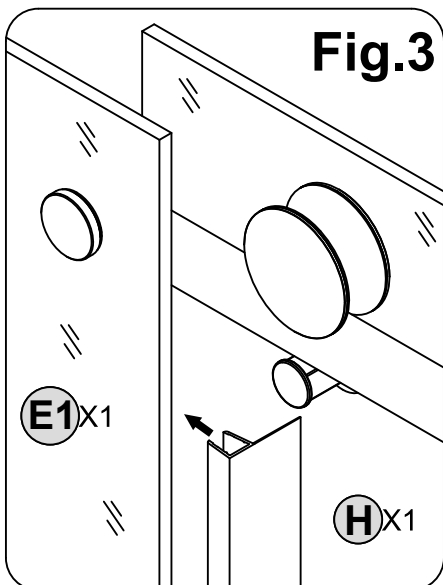
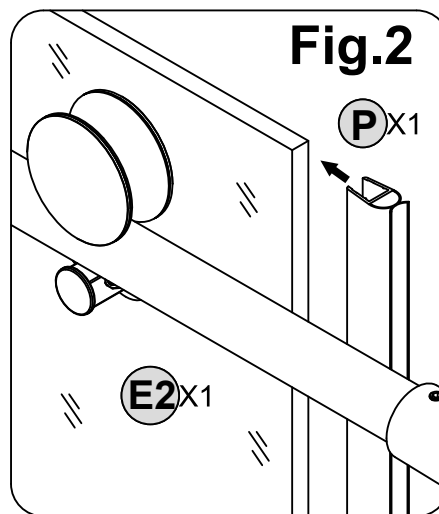
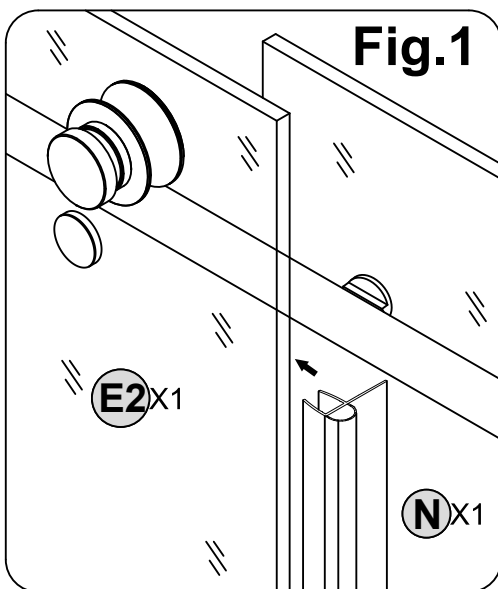
3. Secure the **bottom connector (I)** to the ground by using **countersunk self-tapping screws ST4X35mm (ff)**.



**17** Install **Waterproof Seal (N)** and **Water Barrier Seal (H)** and **Waterproof seal (P)**

**NOTE**

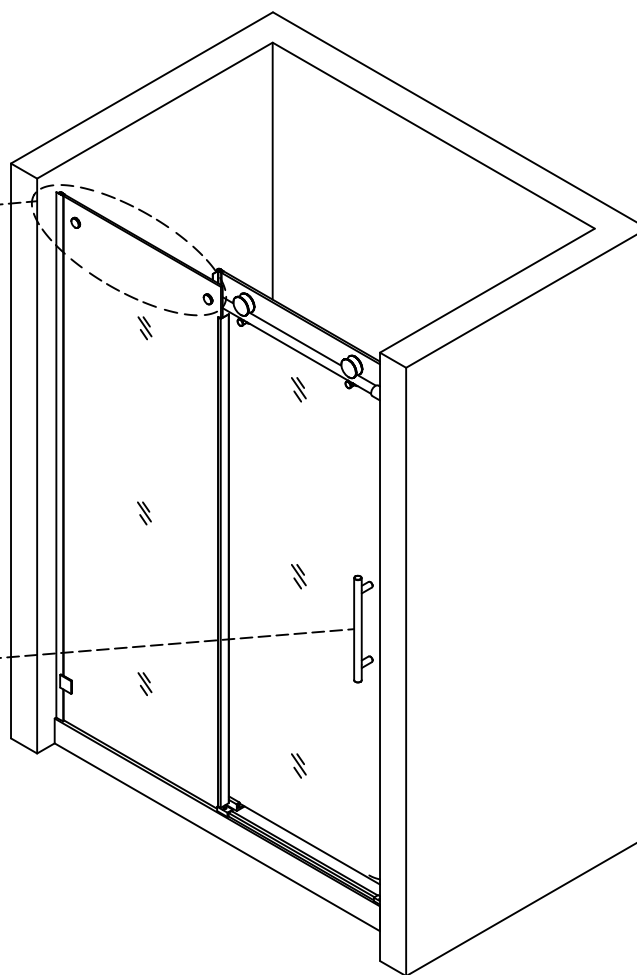
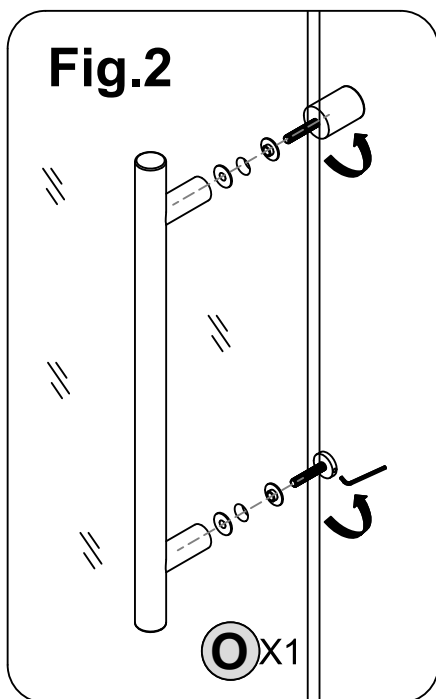
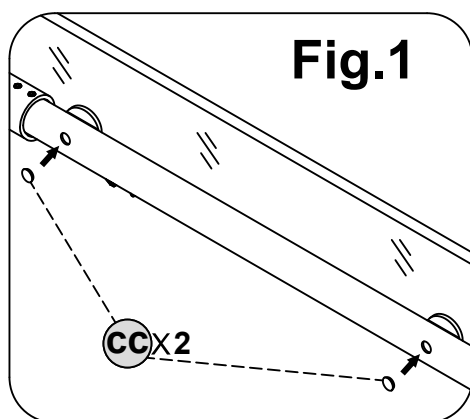
1. Install the **waterproof seal (N)** on the **sliding panel (E2)**.
2. Install the **waterproof seal (P)** on the **sliding panel (E2)**.
3. Install **water barrier seal (H)** on **fixed panel (E1)**.



# 18

 Install The **Handle(O)****NOTE**

1. Attach the **decorative covers (CC)** to the **guide rail (C)**, respectively.
2. Install the **handle (O)** on the sliding door and make sure to use all the provided plastic washers to protect the glass.



## 19 SEALING

**NOTE**

The surfaces need to be clean and free of debris before applying silicone.

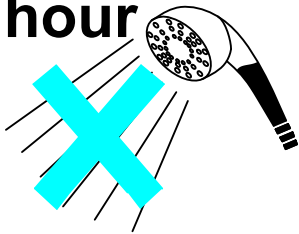
**NOTE**

Make sure the shower door is tightly closed and opens smoothly. Apply high-quality asbestos sealant along the bottom of the fixed glass and the bottom of the lower water barrier.



Allow 24 hours for the silicone to cure before using the shower.

**24  
hour**



Apply Silicone  
Sealant, (not supplied).

Apply silicone around the fixed glass and the lower water barrier.

