

- * Please make sure that you have all parts indicated and they are in good condition before you begin assembly of this item. Refer to part list and hardware list below for guidance.
- * This item should be assembled on a soft surface to prevent scratching the finish during assembly.
- * This item may require periodic tightening.
- * If you are having difficulty, our friendly Customer Care team is always here to help.

Owner Manual

Product Dimensions: W23.62*D23.62*H29.53IN


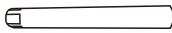
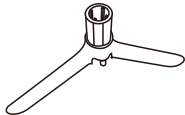
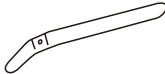


PREPARATION

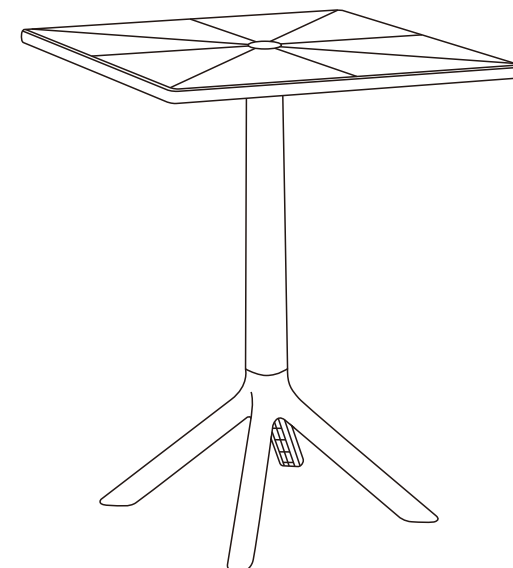
- * Before beginning assembly of product, make sure all parts are present. Compare parts with part contents list and hardware contents list.
- * If any part is missing or damaged, do not attempt to assemble the product.
- * Estimated Assembly Time: 10 minutes.
- * Tools Required for Assembly (included): Allen Key

CARE AND MAINTENANCE

Store outdoor furniture indoors or cover well when not in use. Remove wooden furniture from standing water. Dust regularly with small brush or vacuum. Spills should be taken care of immediately before they harden or stain with a slightly dampened sponge.

Part List and Hardware List

PIECE	DESCRIPTION	PICTURE	QUANTITY
A	Table Top		1X
B	leg-1 column		1X
C	leg-2		1X
D	leg-3		1X
HW1	screw: M8*40mm		1X
HW2	Allen key		1X



WARNING



Weight Capacity- 240LBS

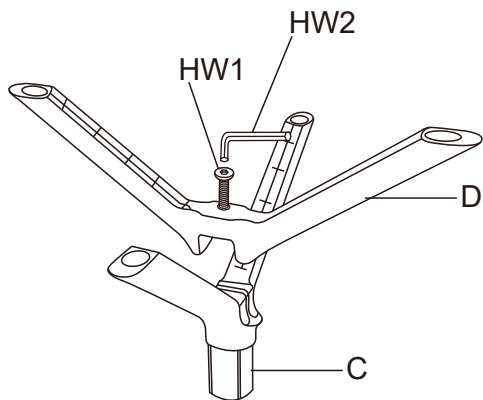
Warning: Do not stand on the Table

Warning: Do not over torque bolts

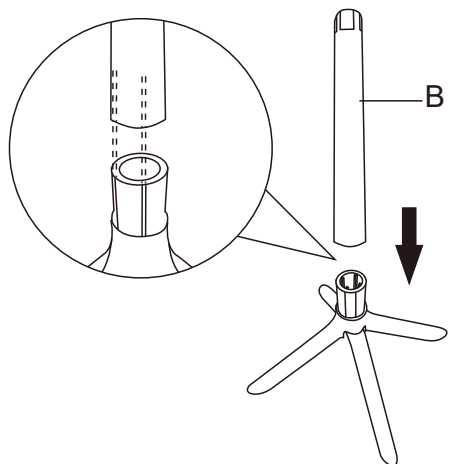
PREPARATION

2

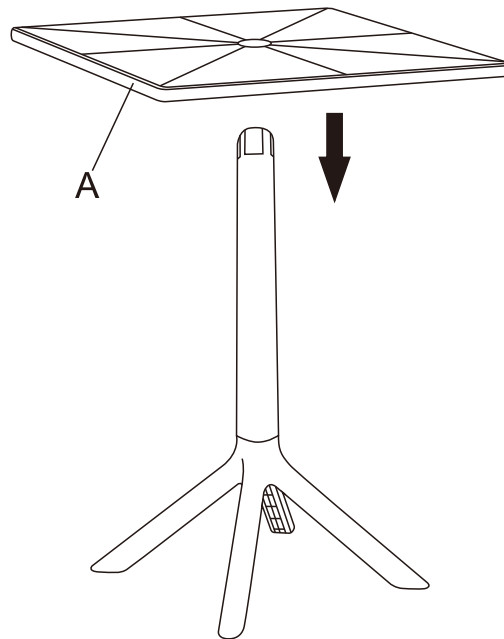
- * Before beginning assembly of product, make sure all parts are present. Compare parts with part contents list and hardware contents list.
- * If any part is missing or damaged, do not attempt to assemble the product.
- * Estimated Assembly Time: 10 minutes.
- * Tools Required for Assembly (included): Allen Key
- * If you are having difficulty, our friendly Customer Care team is always here to help.



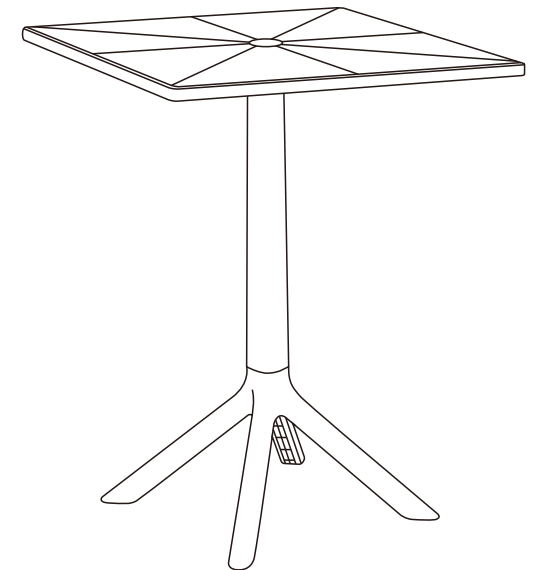
STEP1: Cross insert on of leg C and leg D, insert the screw E, tighten it.



STEP2: Before installing the columns and table legs, use your hand to touch the slot position inside the column. Once the slot position is confirmed, align the table leg slot with the column slot and proceed with the installation.



STEP3: Before installing the column and table top, use your hand to touch the slot position inside the top. Once the slot position is confirmed, align the top slot with the column slot and proceed with the installation.



STEP4: Finish