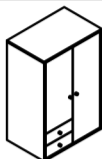



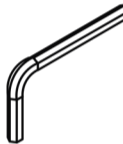
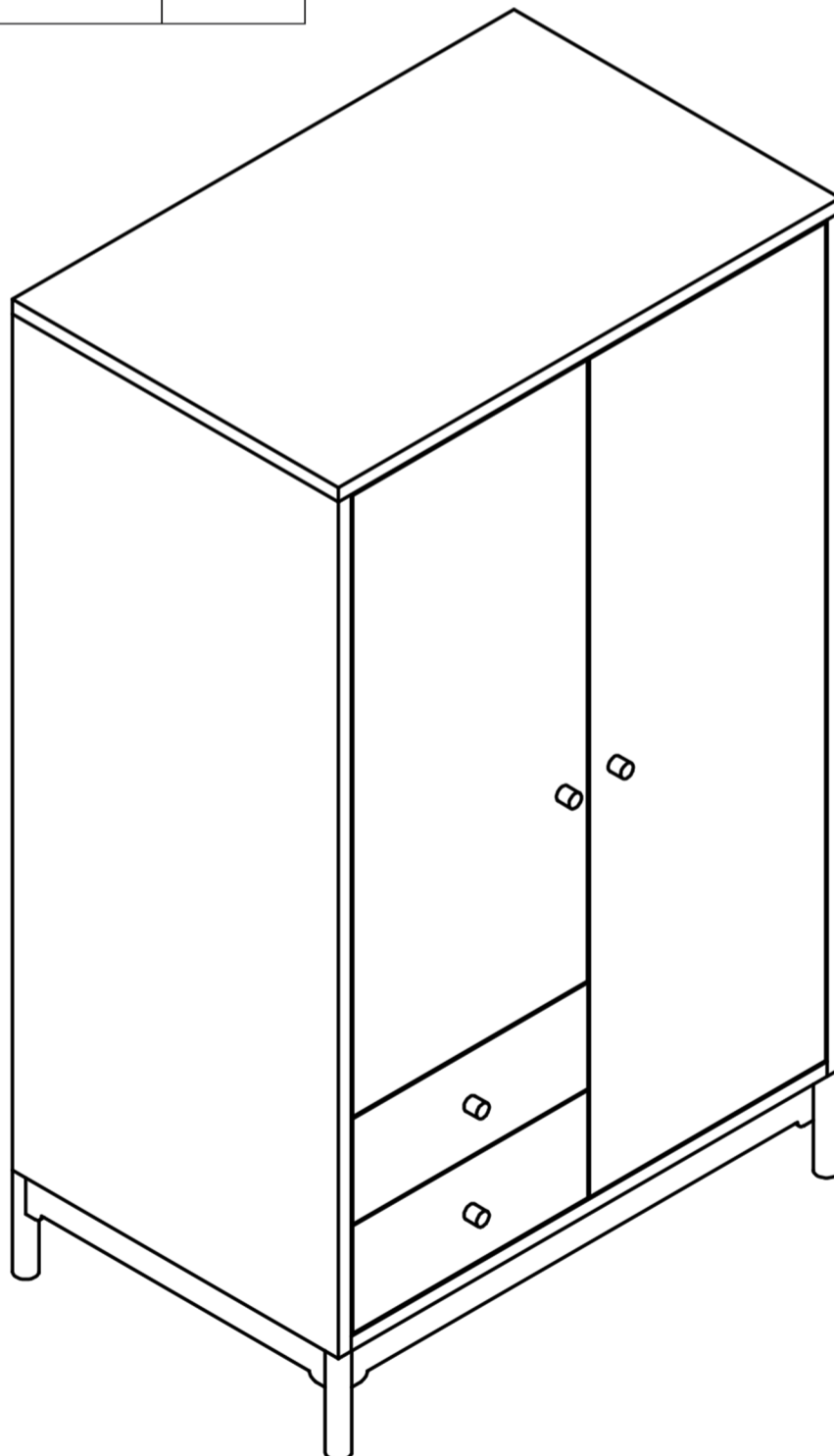


Assembly Instruction

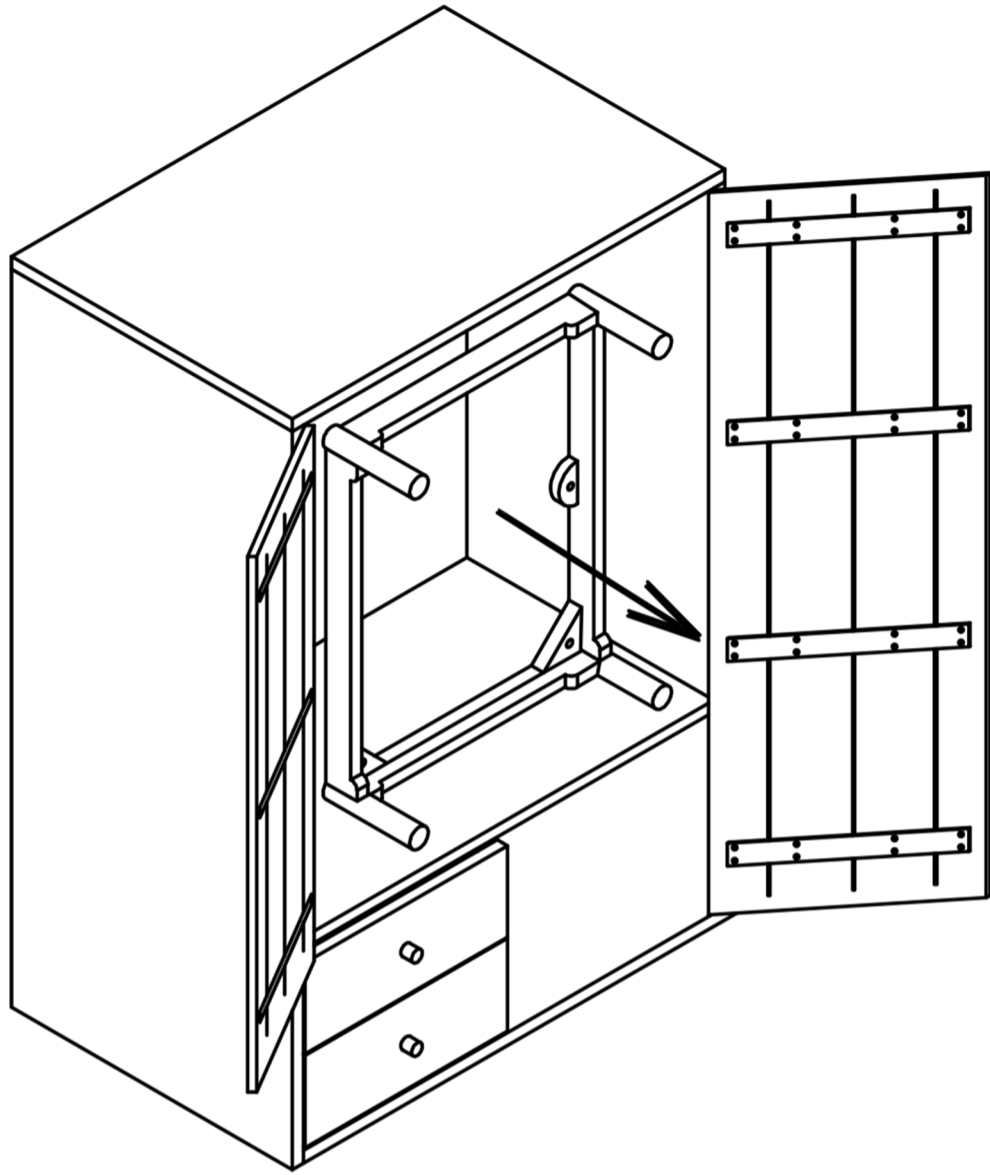
Hardware and Component List:

No.	Hardware/Component List	Quantity
1		01
2		Base 01
3		Allen Bolt M8X40 06
4		Washer 10X25MM 06
5		Allen Key 5MM 01

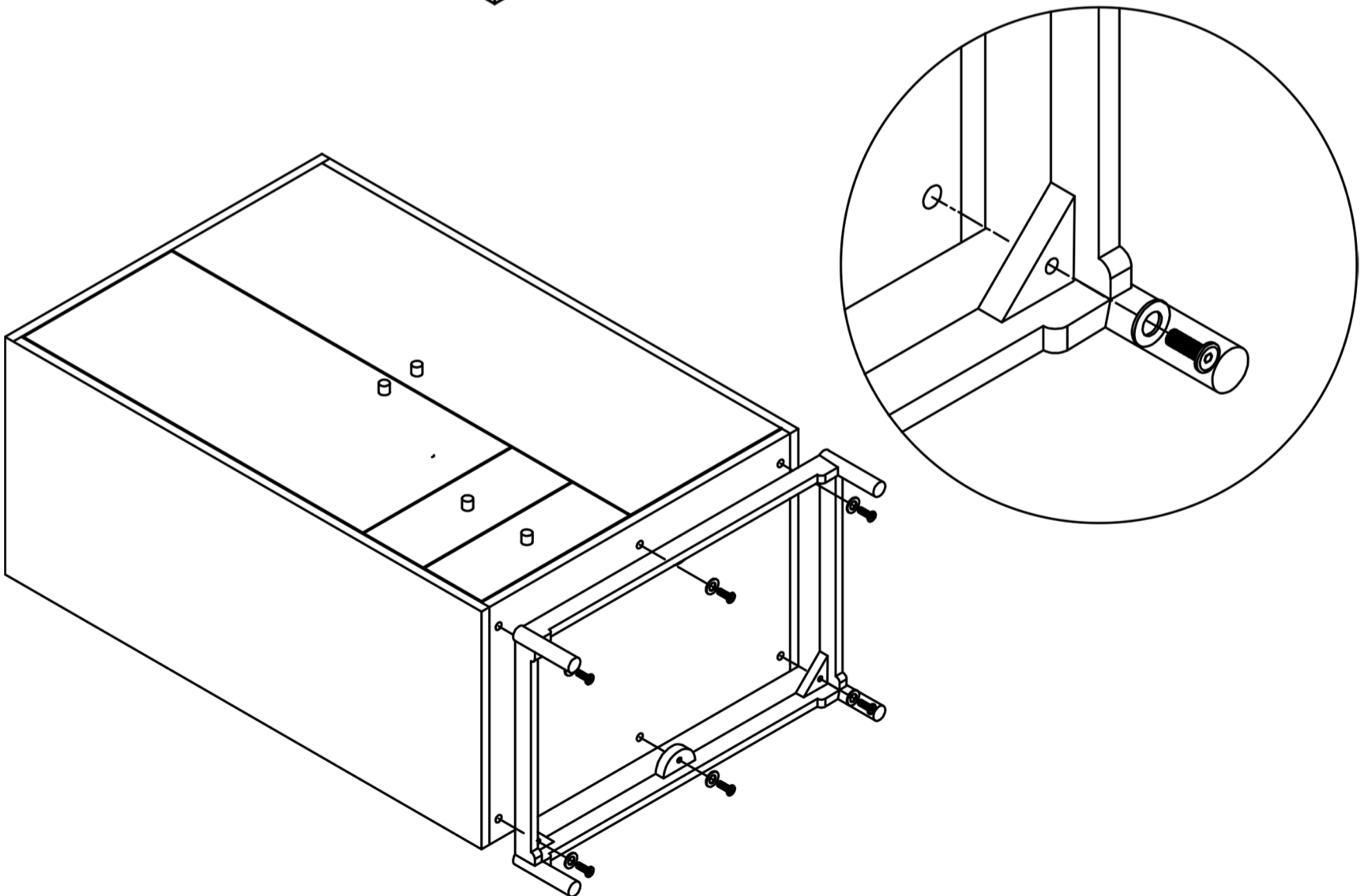


Assembly Instruction

1

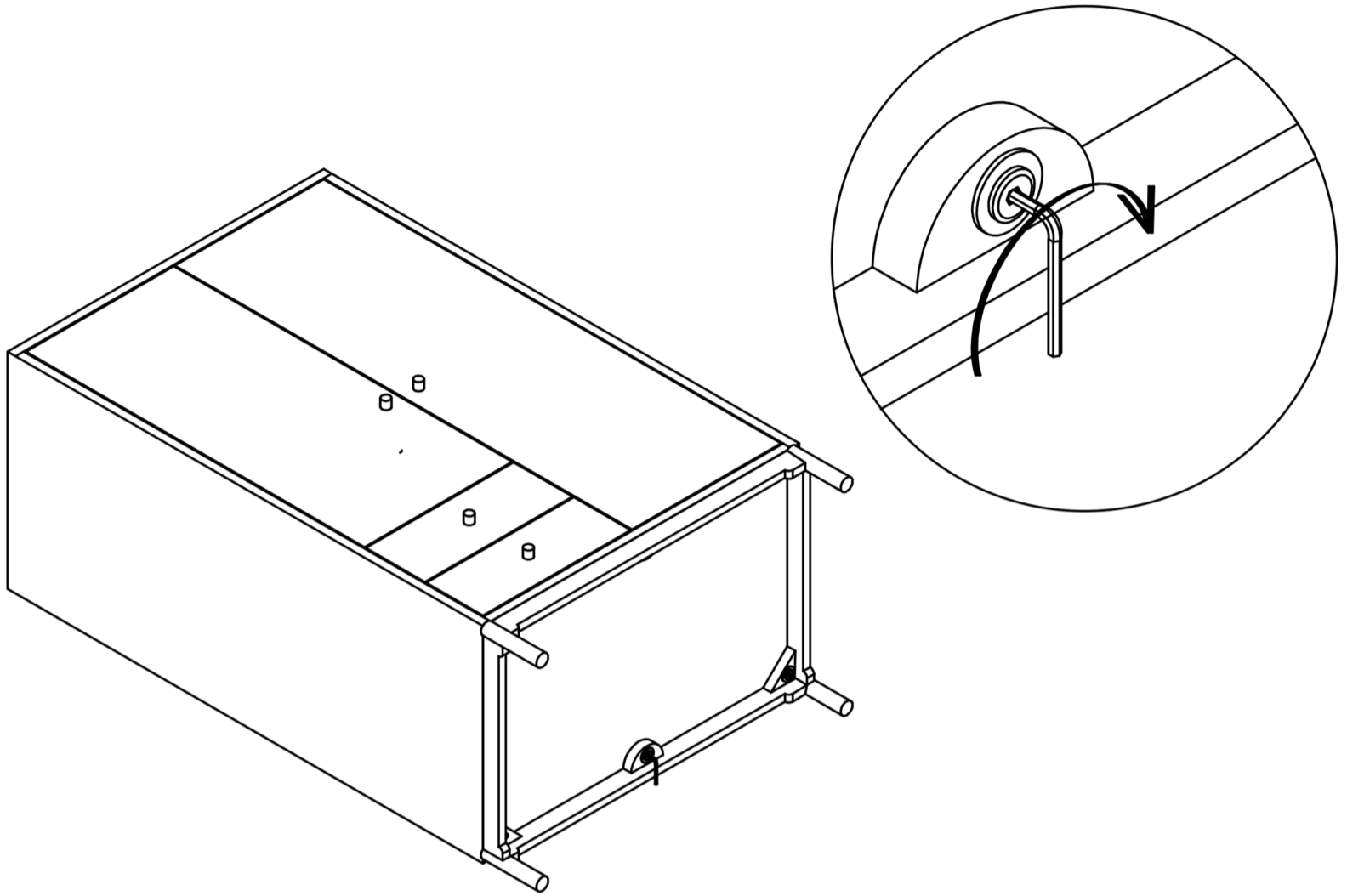


2



Assembly Instruction

3



4

