

ASSEMBLY INSTRUCTION

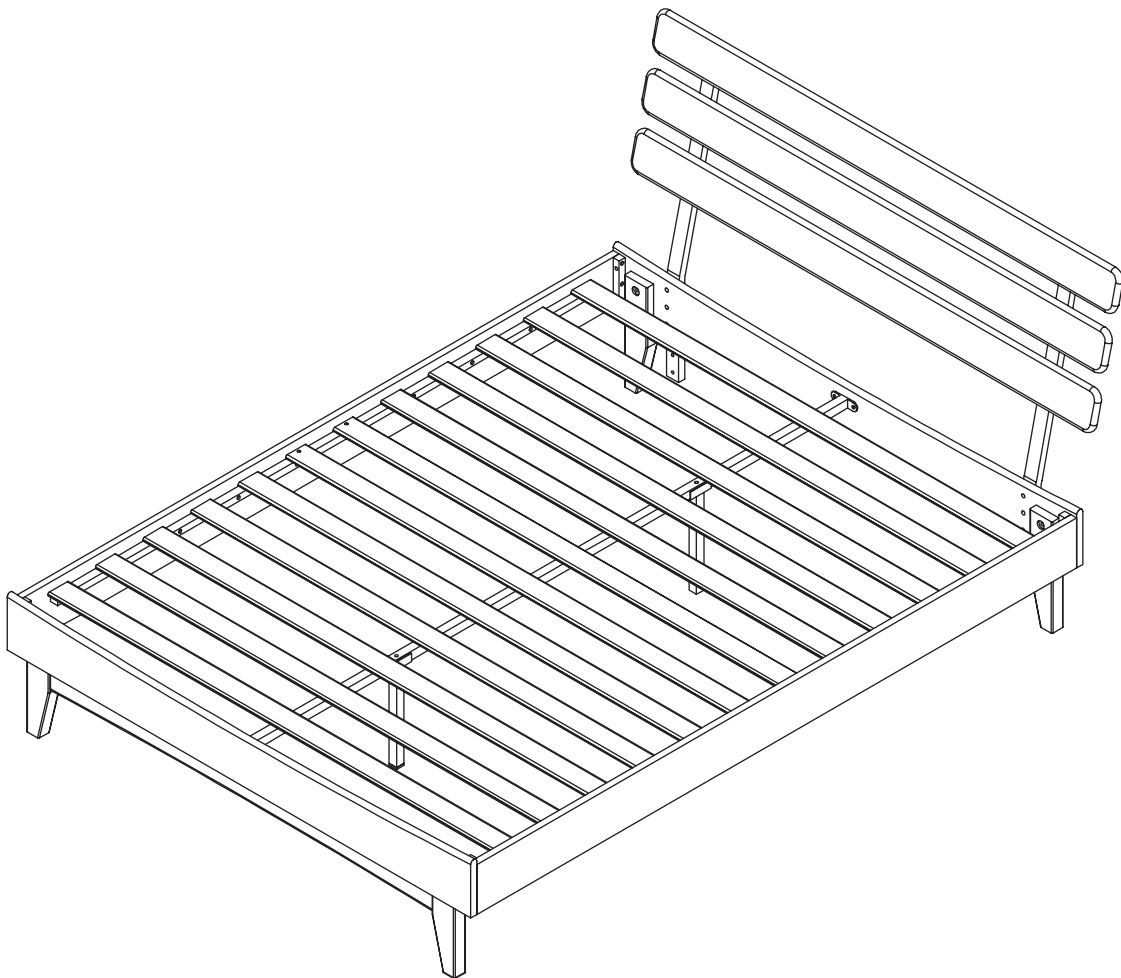


45 min

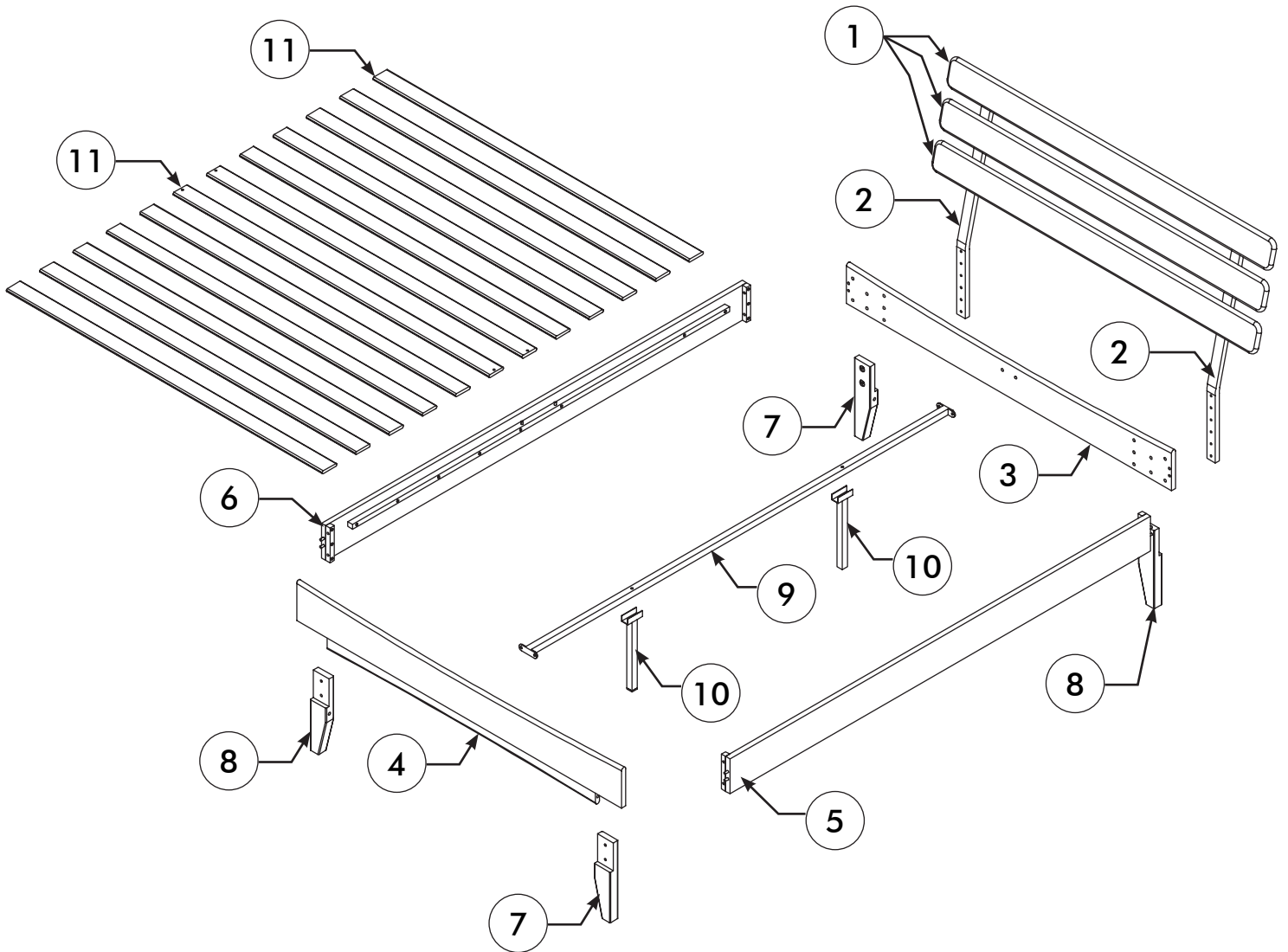


FULL/QUEEN SIZE WITH HEADBOARD

Thank you for purchasing this quality product. Be sure to check all packing material carefully for small parts which may have come loose inside the carton during shipment. Identify and count all parts and compare with the parts list below.









NOTICE: DO NOT assemble using the power tools.
This can cause the bolts to be over tightened
DO NOT over tighten hardware, damage may occur



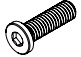




THE PART LAYOUT

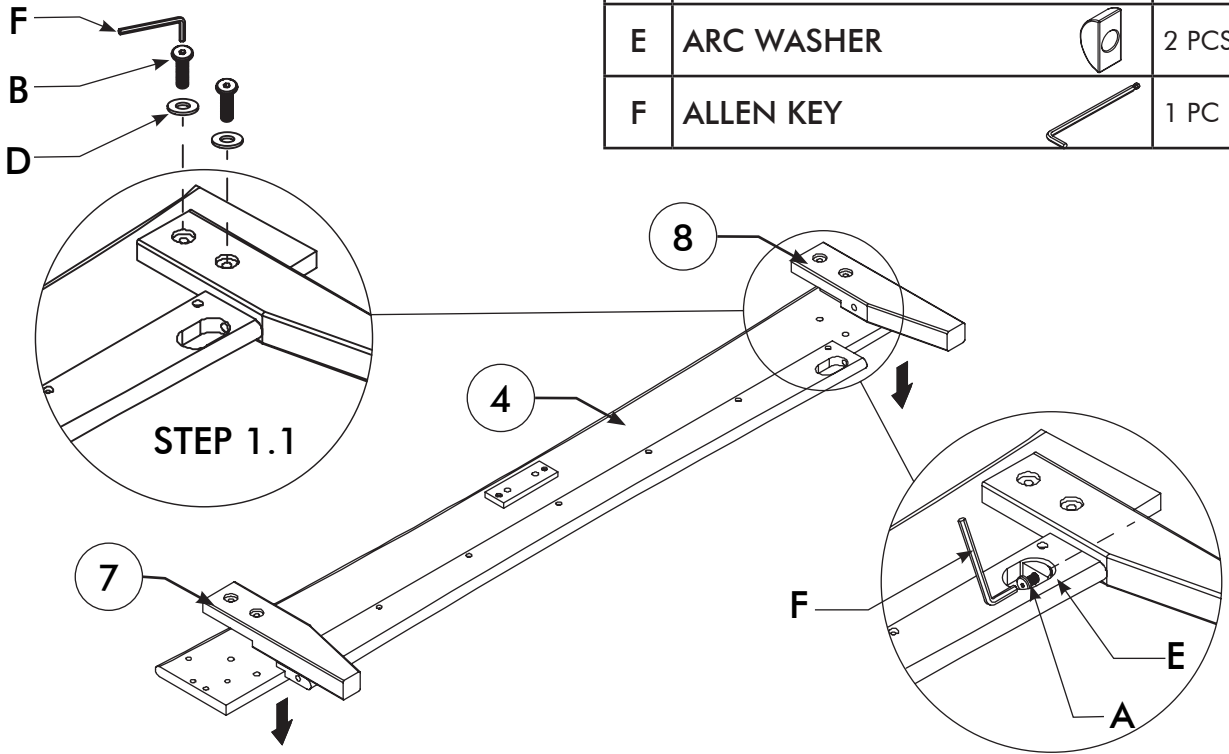
HARDWARE

A	M8 x 45		2 PCS
B	M8 x 35		34 PCS
C	M8 x 20		4 PCS
D	2 x Ø8.5 x Ø22		38 PCS
E	ARC WASHER		2 PCS
F	ALLEN KEY		1 PC

STEP 1

LAY THE PANEL FACE DOWN ON THE GROUND BEFORE ASSEMBLING.




A	M8 x 45		2 PCS
B	M8 x 35		4 PCS
D	2 x Ø8.5 x Ø22		4 PCS
E	ARC WASHER		2 PCS
F	ALLEN KEY		1 PC

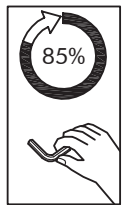


NOTICE: When assembling, place all parts on a soft, clean, and flat surface such as a carpet to prevent scratches

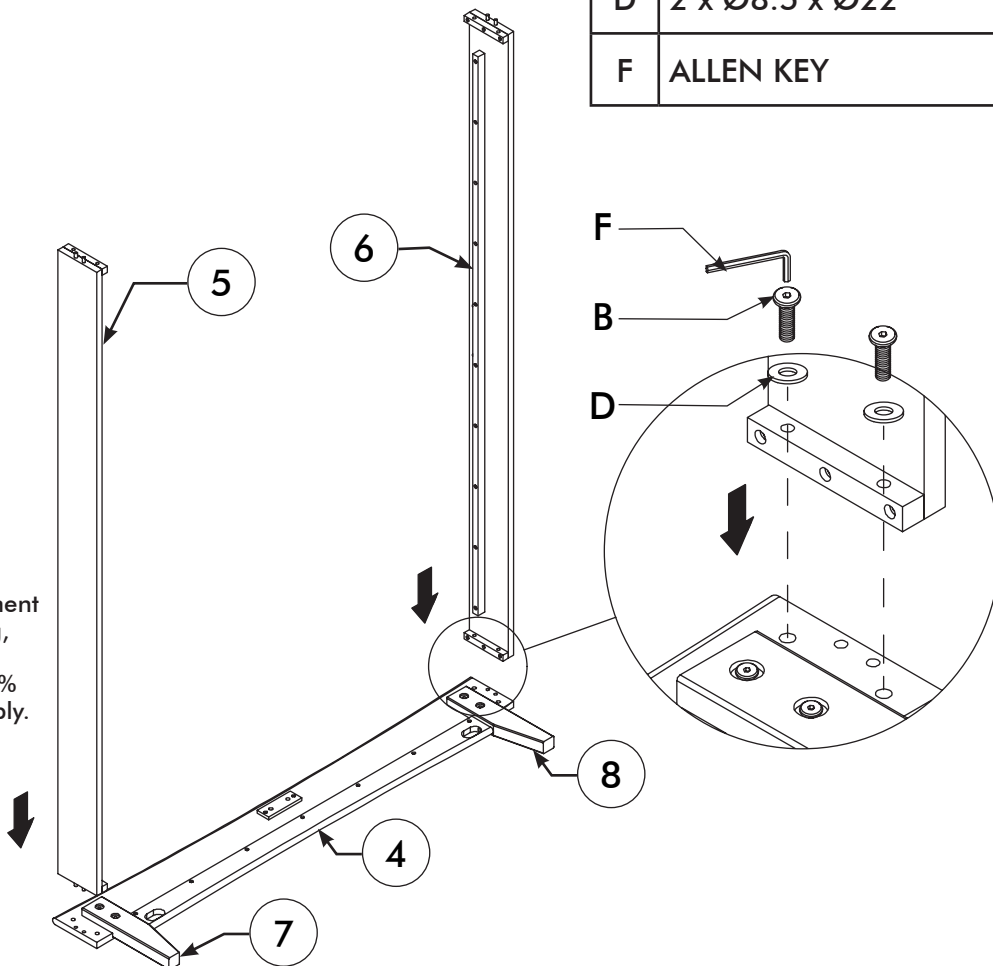
STEP 1.2

STEP 2

B	M8 x 35		4 PCS
D	2 x Ø8.5 x Ø22		4 PCS
F	ALLEN KEY		1 PC

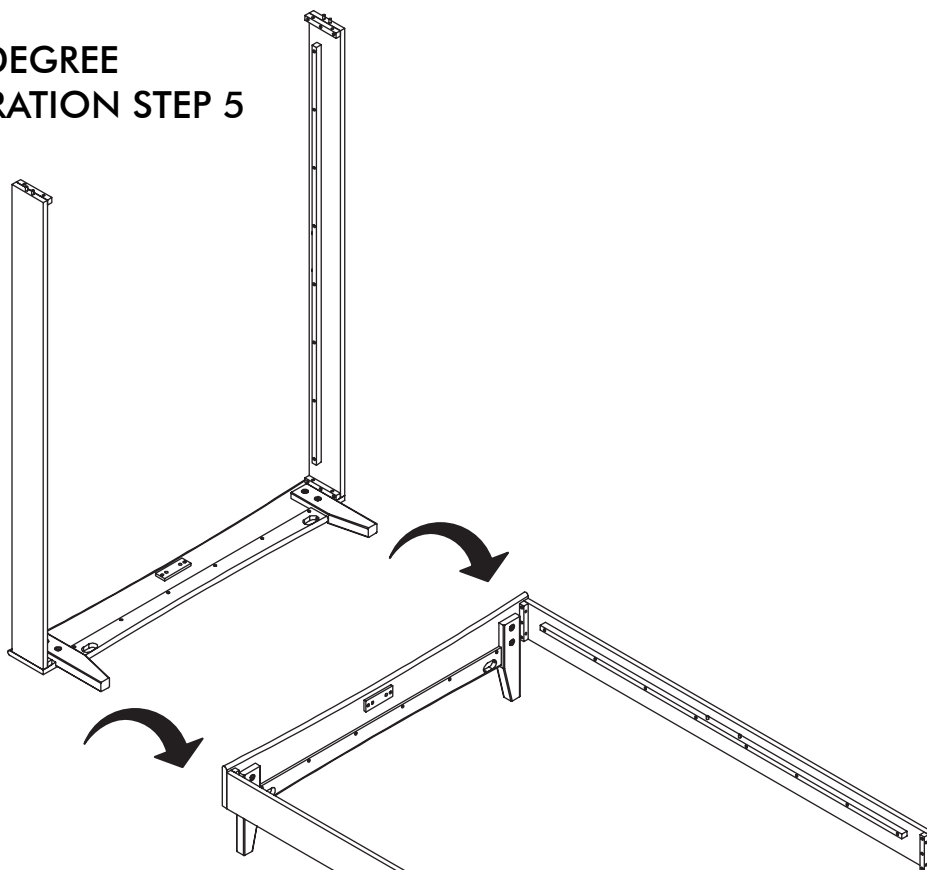


! To avoid misalignment and overtightening, pieces are only to be tightened to 85% prior to full assembly.



STEP 3




**ROTATE THE FRAME 90 DEGREE
CLOCKWISE FOR PREPARATION STEP 5**

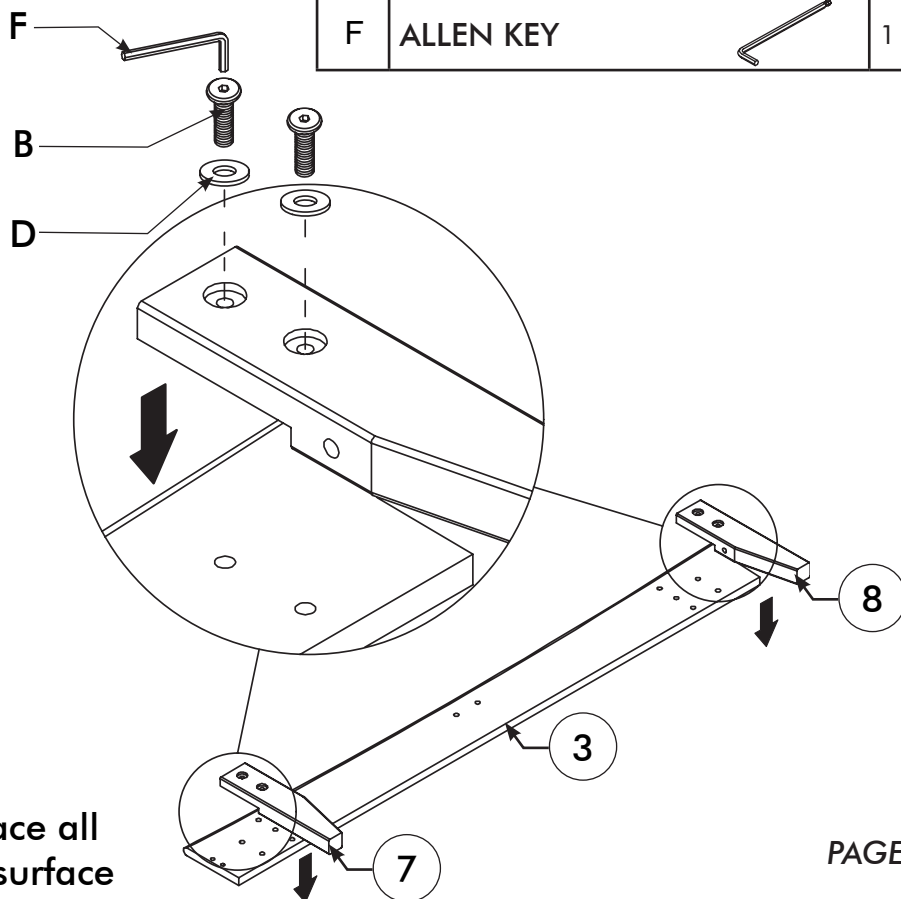


NOTICE: When assembling, place all parts on a soft, clean, and flat surface such as a carpet to prevent scratches

STEP 4



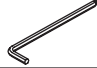
**LAY THE PANEL FACE DOWN ON THE
GROUND BEFORE ASSEMBLING.**

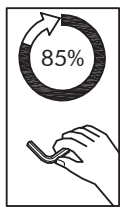
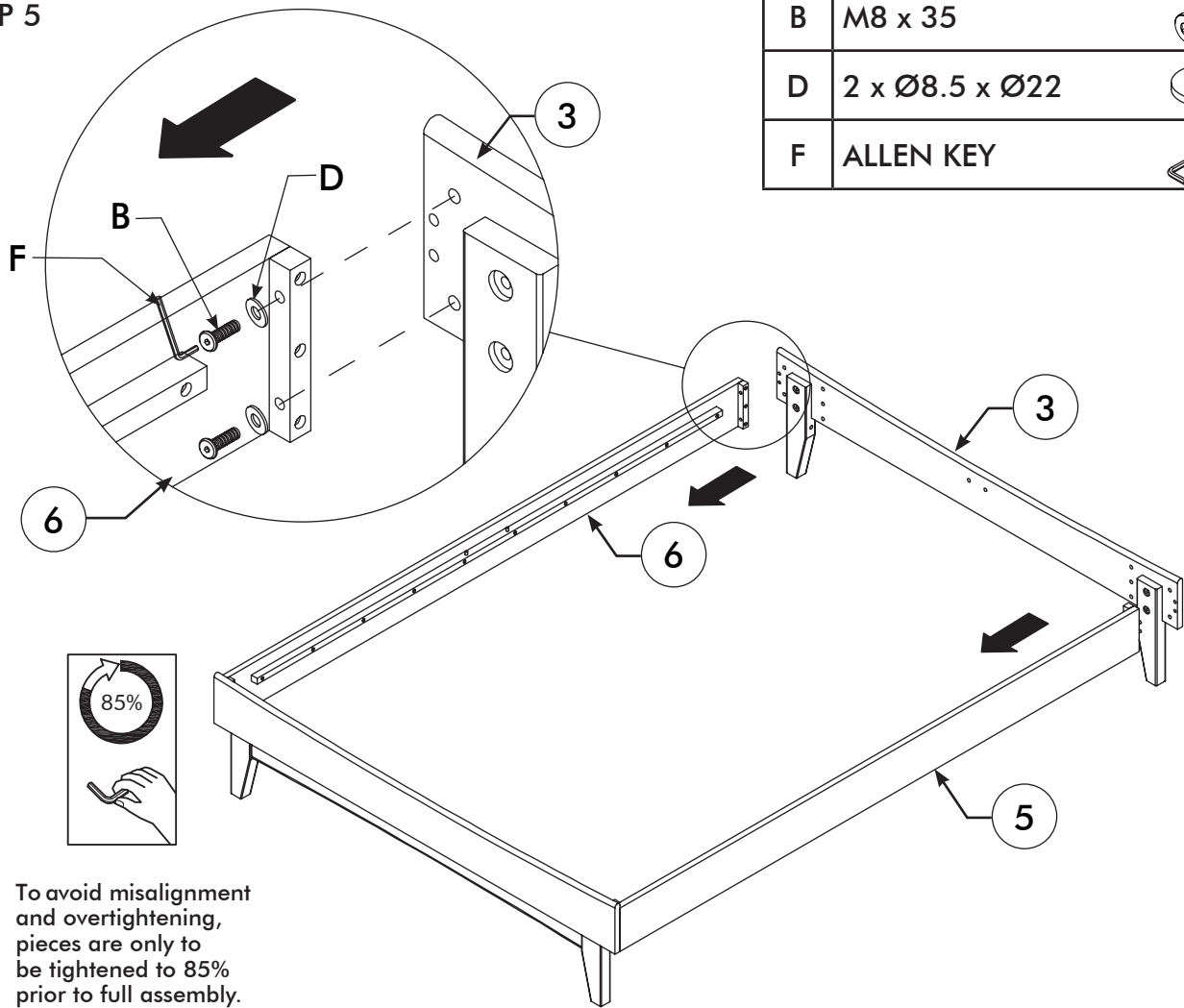
B	M8 x 35		4 PCS
D	2 x Ø8.5 x Ø22		4 PCS
F	ALLEN KEY		1 PC



NOTICE: When assembling, place all parts on a soft, clean, and flat surface such as a carpet to prevent scratches

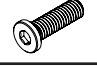


STEP 5

B	M8 x 35		4 PCS
D	2 x Ø8.5 x Ø22		4 PCS
F	ALLEN KEY		1 PC

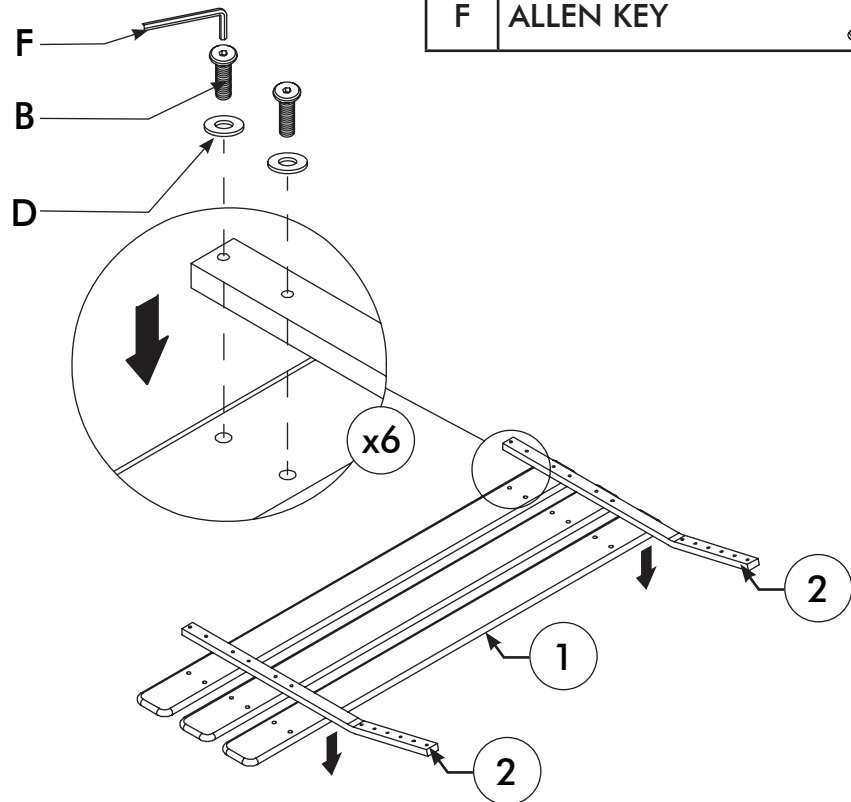


! To avoid misalignment and overtightening, pieces are only to be tightened to 85% prior to full assembly.

STEP 6



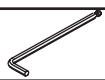
B	M8 x 35		12 PCS
D	2 x Ø8.5 x Ø22		12 PCS
F	ALLEN KEY		1 PC

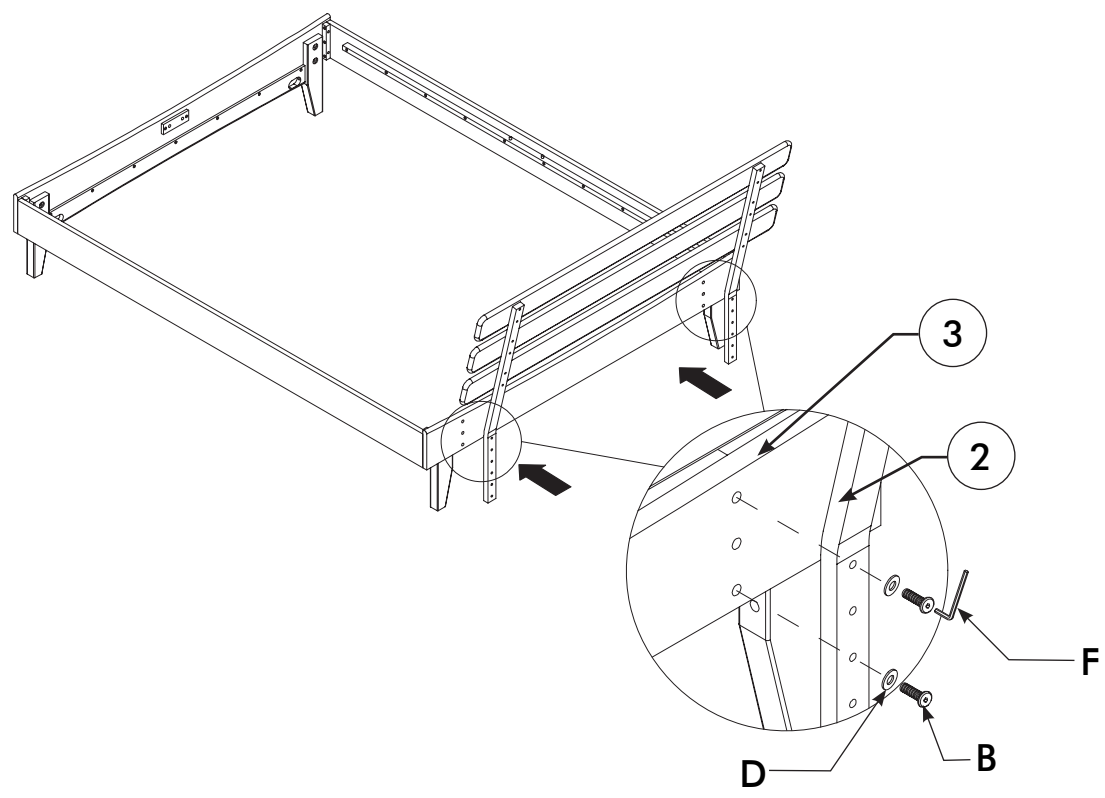
LAY THE PANEL FACE DOWN ON THE GROUND BEFORE ASSEMBLING.






NOTICE: When assembling, place all parts on a soft, clean, and flat surface such as a carpet to prevent scratches

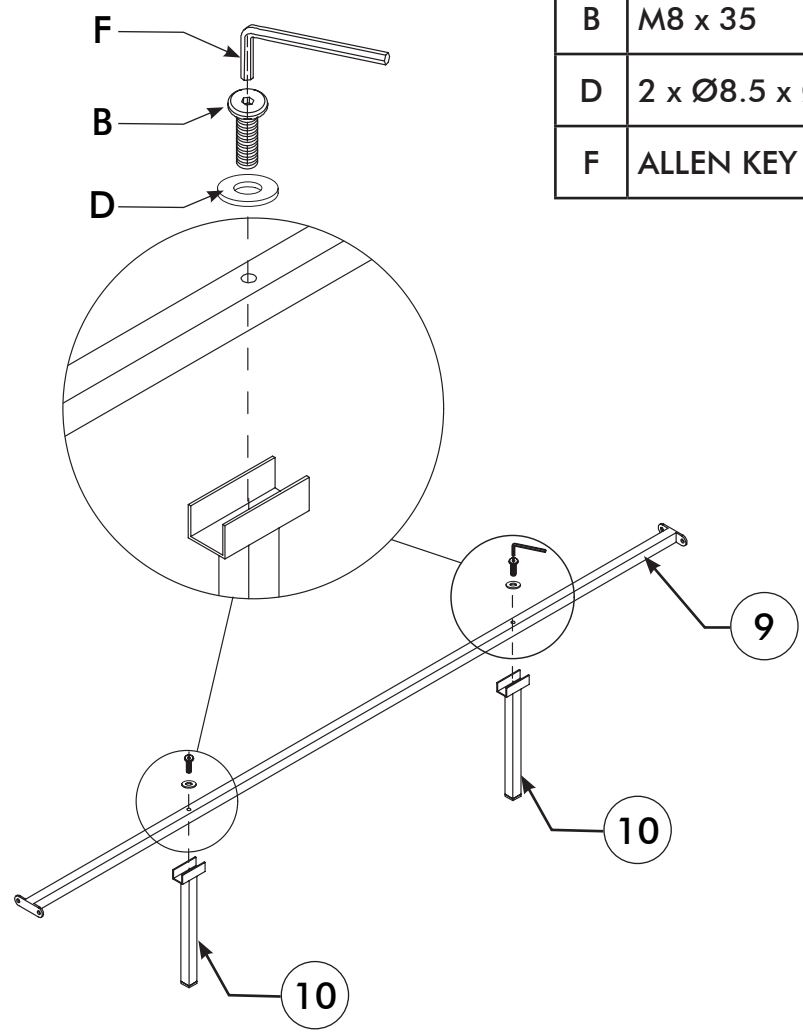
STEP 7

B	M8 x 35		4 PCS
D	2 x Ø8.5 x Ø22		4 PCS
F	ALLEN KEY		1 PC






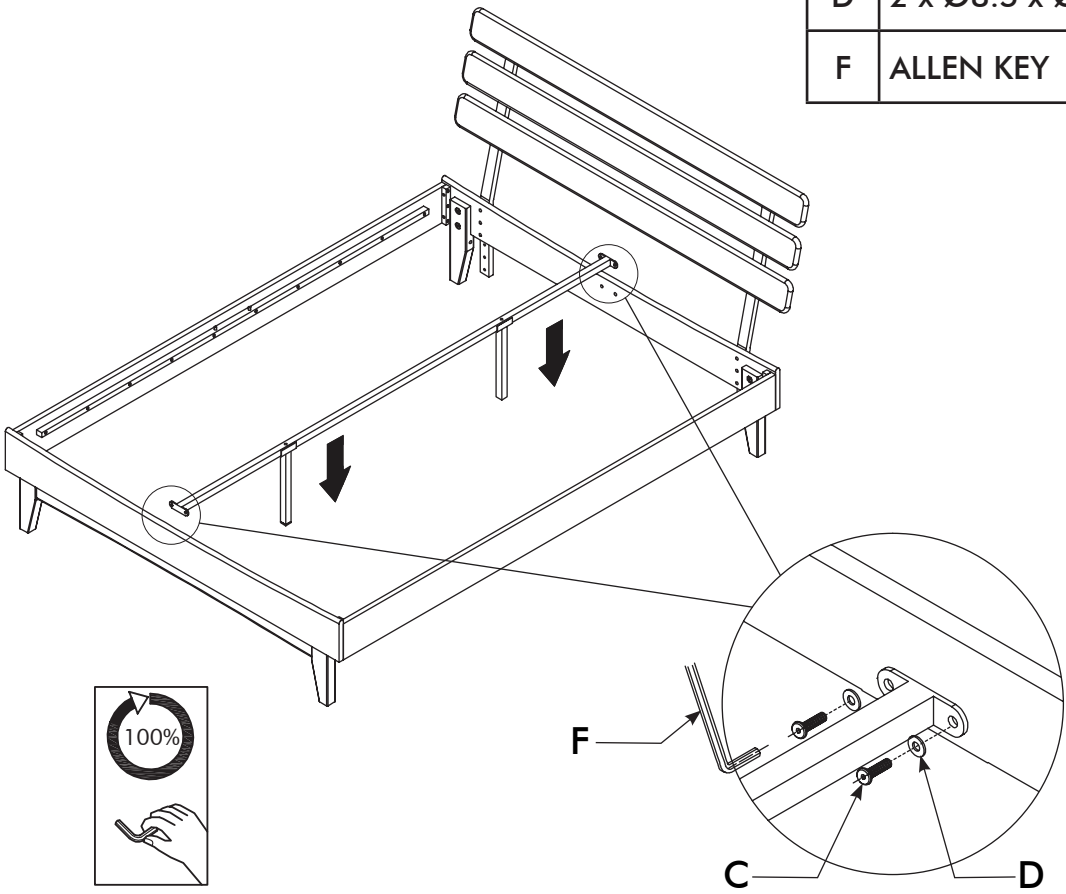
STEP 8

B	M8 x 35		2 PCS
D	2 x Ø8.5 x Ø22		2 PCS
F	ALLEN KEY		1 PC



STEP 9

C	M8 x 20		4 PCS
D	2 x Ø8.5 x Ø22		4 PCS
F	ALLEN KEY		1 PC



 Fully Tighten All Bolts

STEP 10 ATTACH THE SLATS TO BED, HOLE ON SLAT ALIGN WITH DOWEL.

