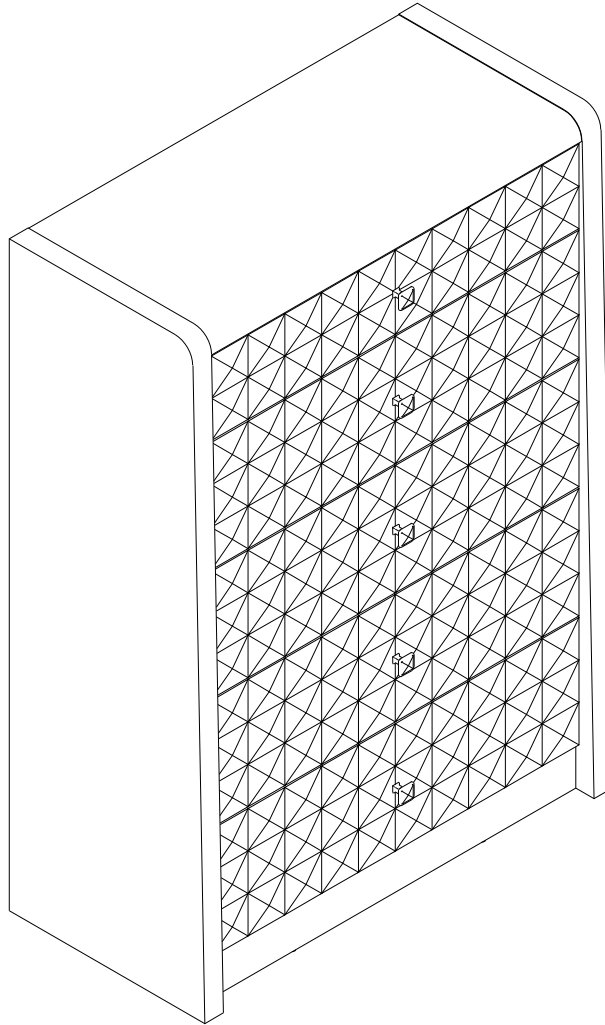
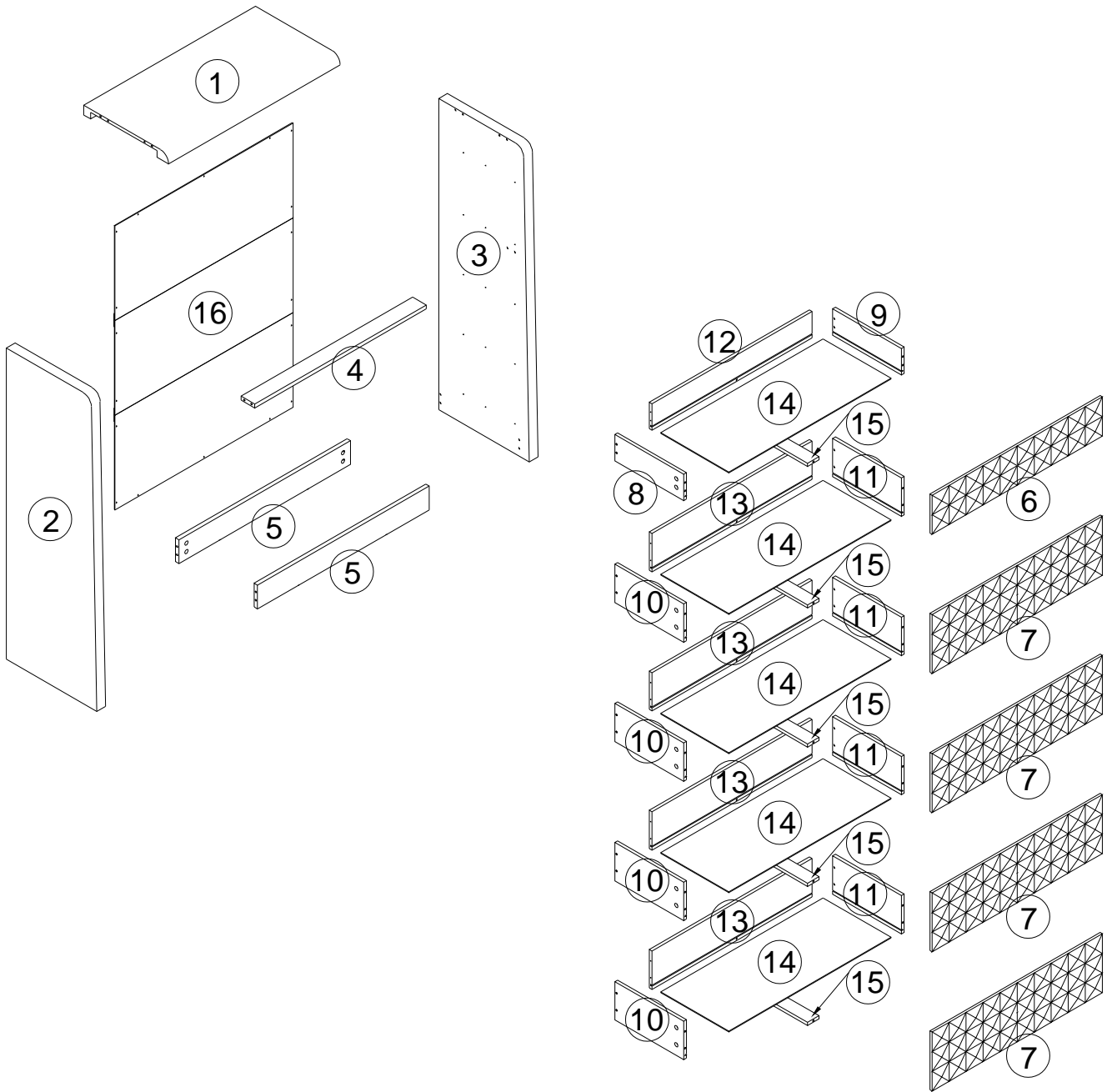


ASSEMBLY INSTRUCTIONS




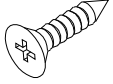

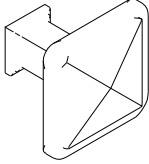
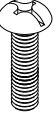
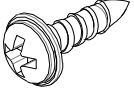
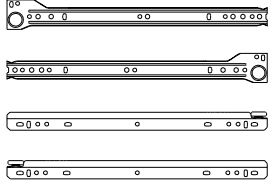
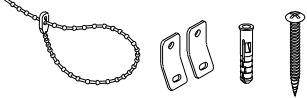

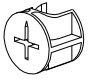
PACKAGE INCLUDE



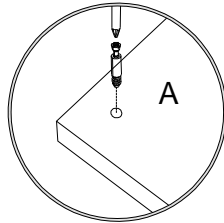
PACKAGE INCLUDE

CODE	DESCRIPTION	QTY
1	Top Panel	1
2	Left Side Panel	1
3	Right Side Panel	1
4	Upper Front Strip	1
5	Front And Back Footboard	2
6	Upper drawer panel	1
7	Lower drawer panel	4
8	Left panel of upper drawer	1
9	Right panel of upper drawer	1
10	Lower drawer left panel	4
11	Lower drawer right panel	4
12	Upper drawer back panel	1
13	Lower drawer back panel	4
14	Drawer Bottom Panel	5
15	Drawer Bottom Strip	5
16	Back Panel	1

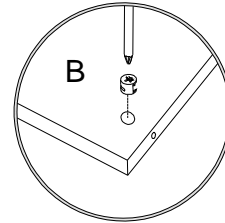
PACKAGE CONTENT

<p>Ø6X30MM</p>  <p>(A) 4X</p>	<p>M3.5X12MM</p>  <p>(B) 50X+2</p>	<p>M4X35MM</p>  <p>(C) 25X+2</p>	  <p>(D) 5X</p>
<p>M3X12MM</p>  <p>(E) 18X+2</p>	 <p>(F) 5X</p>	 <p>(G) 2X</p>	<p>M6X40MM</p>  <p>(H) 41X+2</p>
<p>Ø15X10MM</p>  <p>(J) 41X+2</p>			

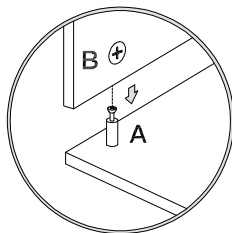
How to use the cam lock system



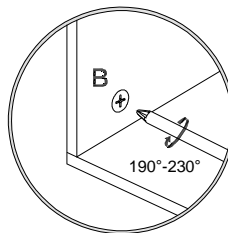
1. Screw cam bolt into panel



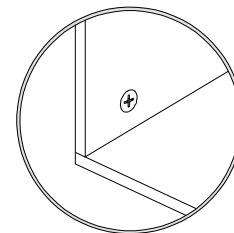
2. Push cam into panel - arrow feature on cam top points to panel edge



3. Align cam bolt(s) with cam(s) and insert all the way into cross-bored hole(s)

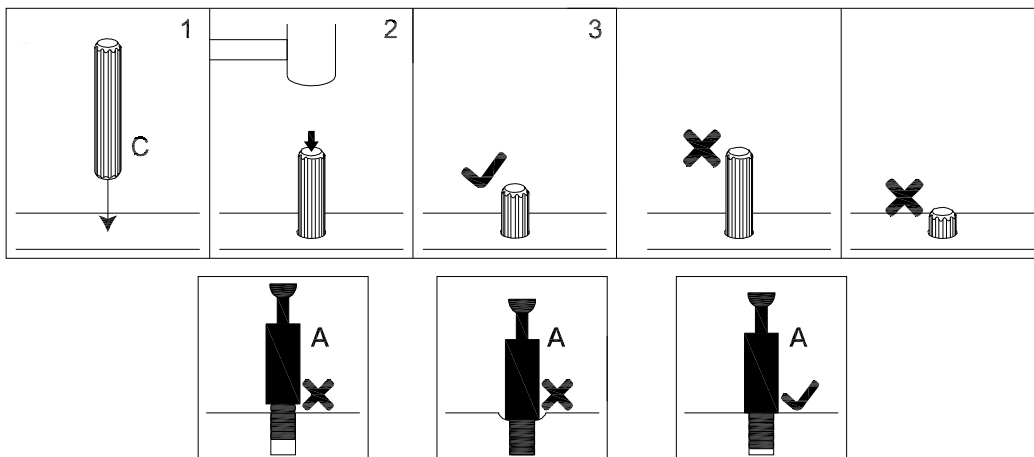


4. Rotate cam(s) clockwise 190°-230° to lock panels together



5. Panels should be tight against each other and connection should be rigid

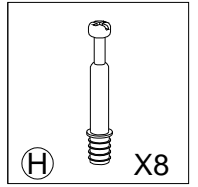
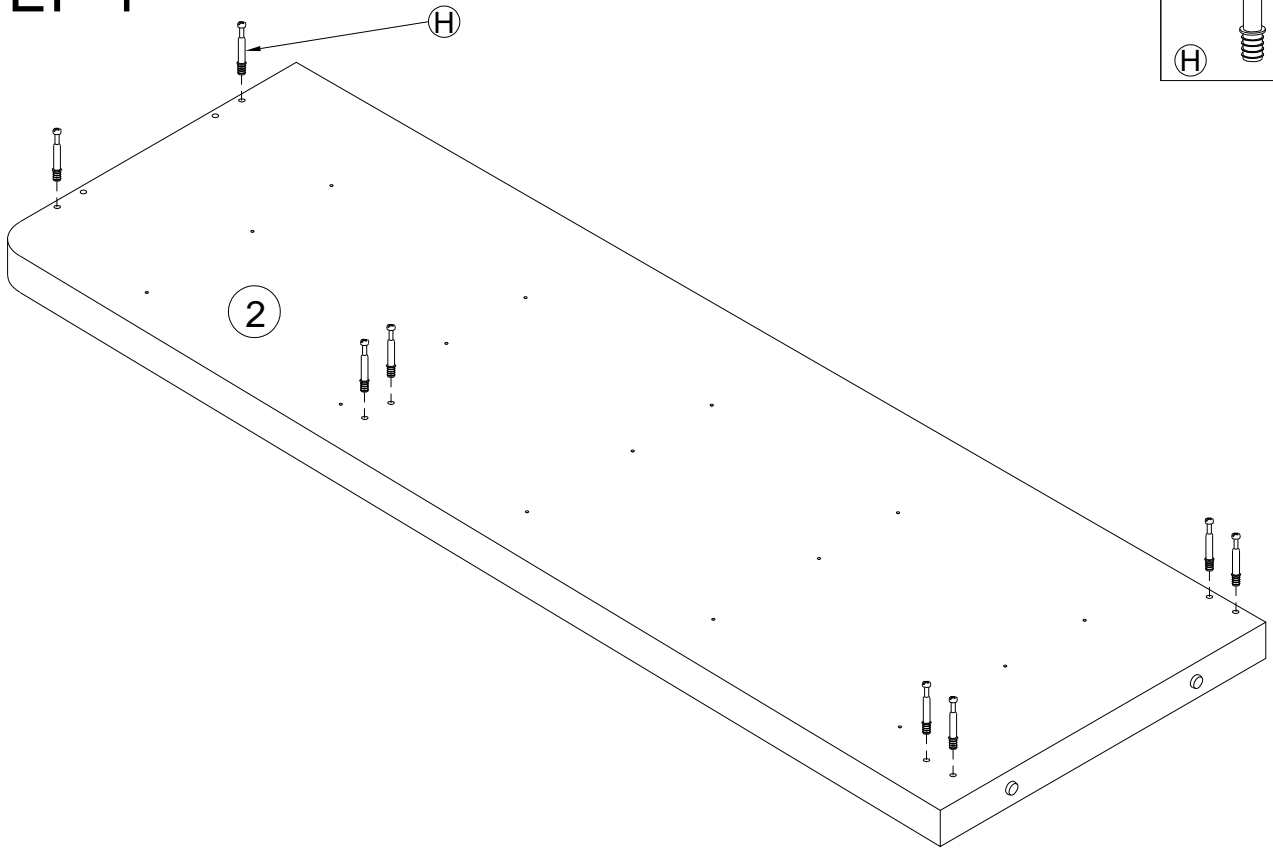
Insert the wood dowel [C] at least half way by tapping lightly with a rubber mallet, IF NECESSARY.



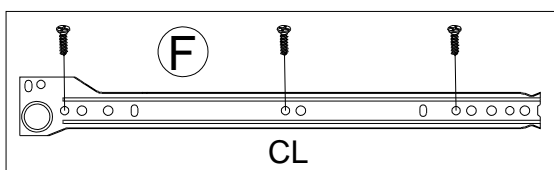
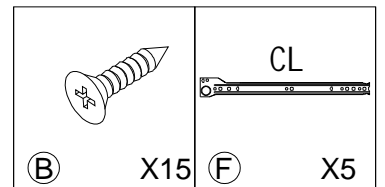
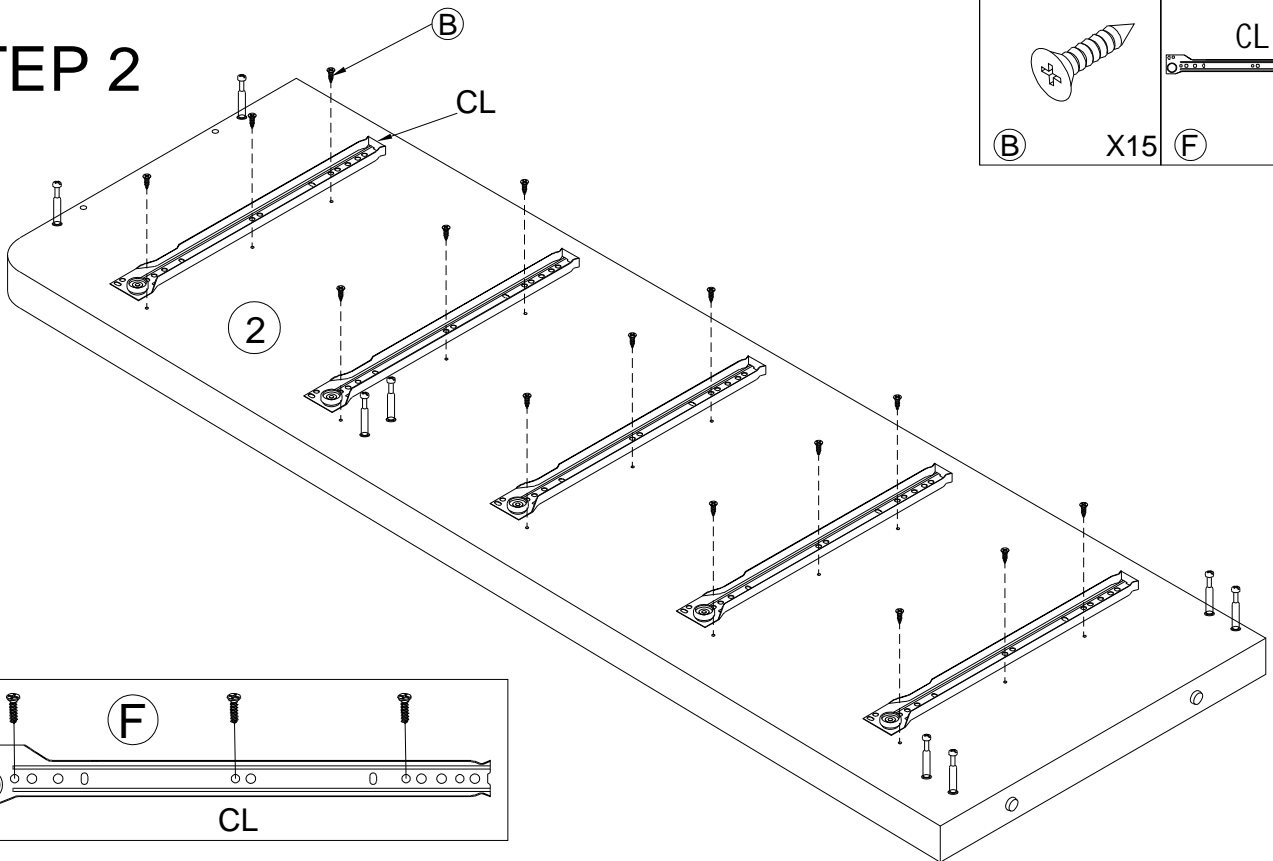
⚠ WARNING

- Unit must be placed on a level surface or leveled with included hardware (when applicable).
- Do not sit or stand on or allow children to climb, sit or stand on the assembled product.
- For safety reasons, it is imperative that this unit be mounted to the wall.
- Do not use without installing the tip restraint.
- Unit can tip over causing severe injury or death.
- Do not exceed the recommended weight limits.
- Evenly distribute the weight on each level and always keep the heavier loads on the bottom.
- Before cutting, drilling or hammering into any wall or floor surface, verify the location of electrical, plumbing and gas lines. Cutting may cause serious injury.

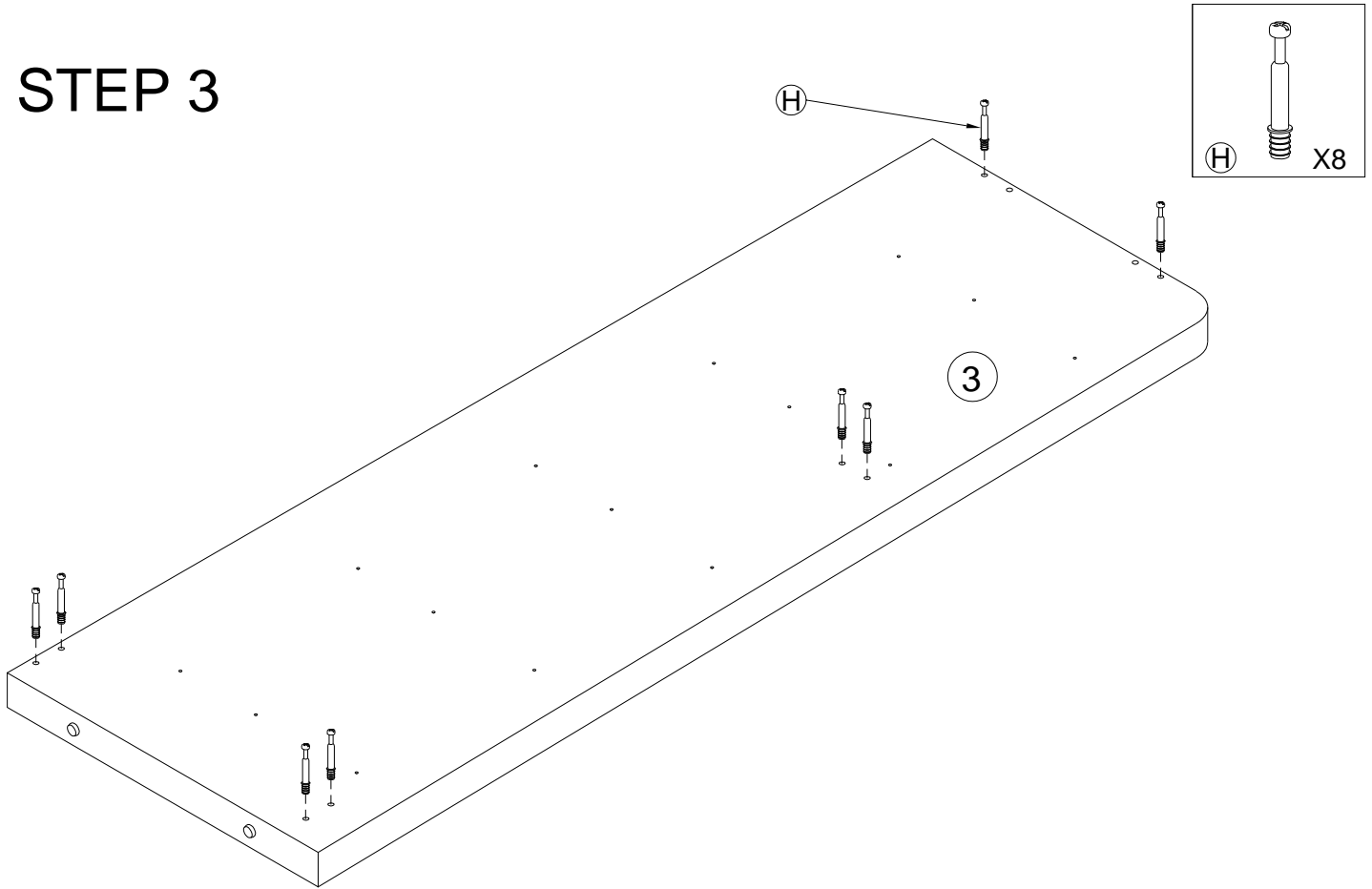
STEP 1



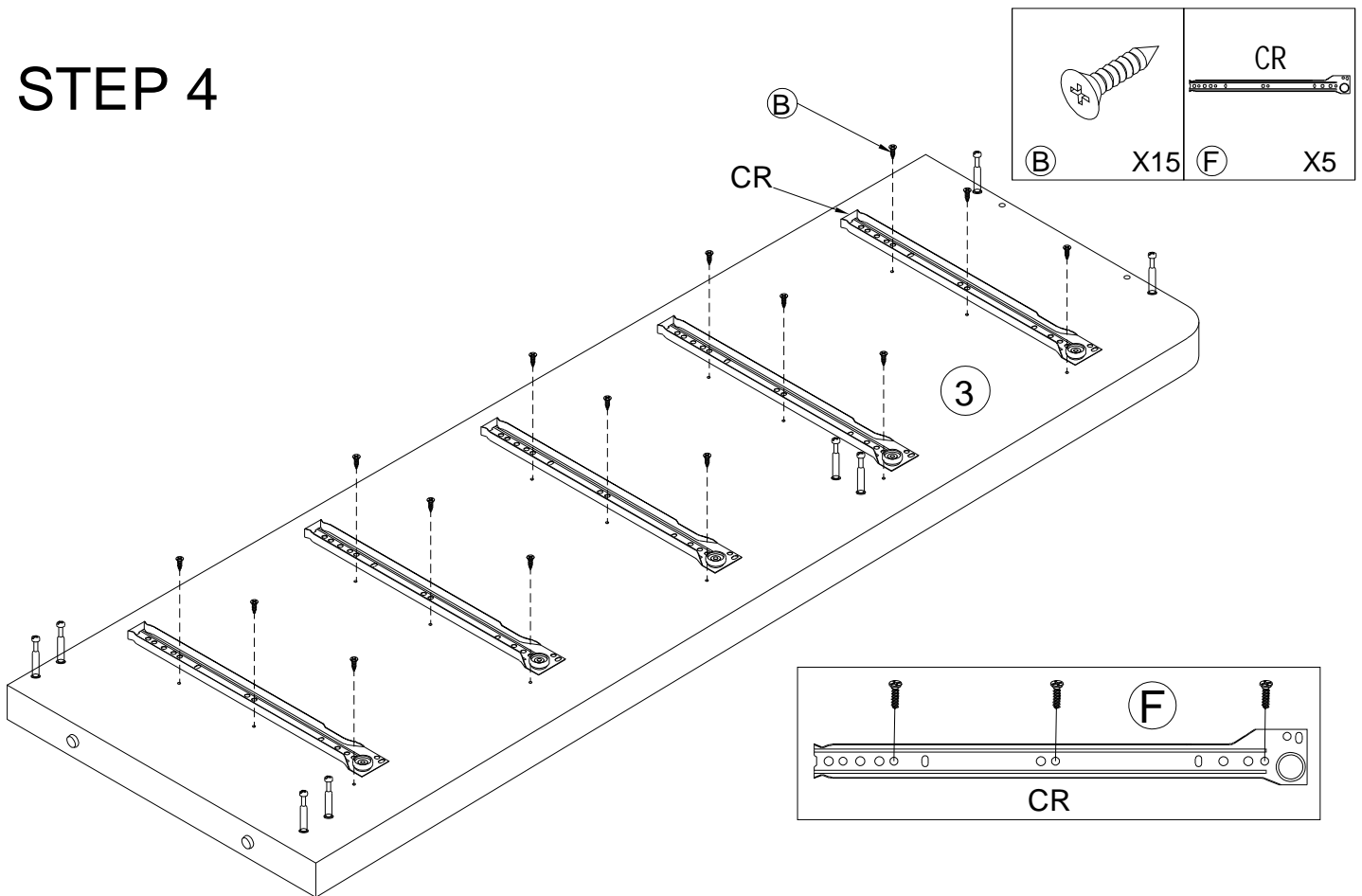
STEP 2



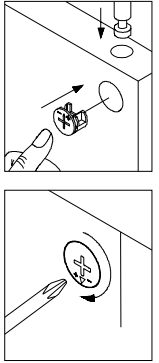
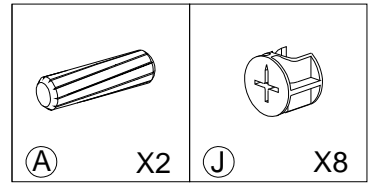
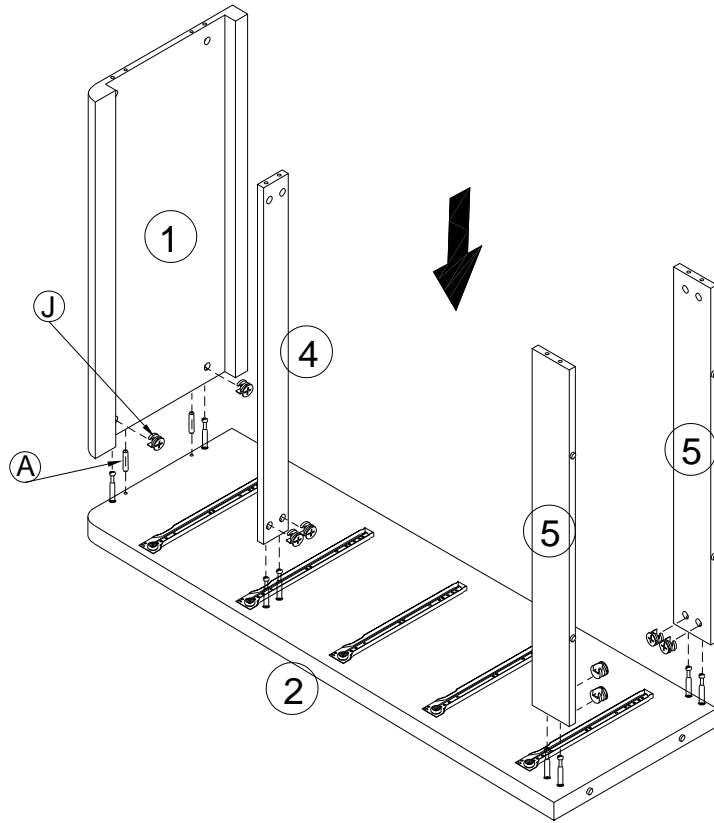
STEP 3



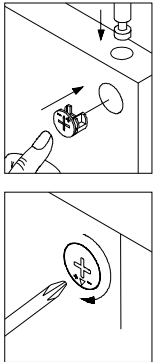
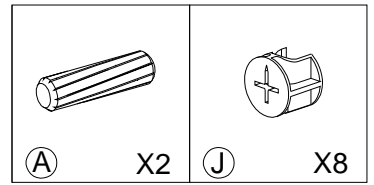
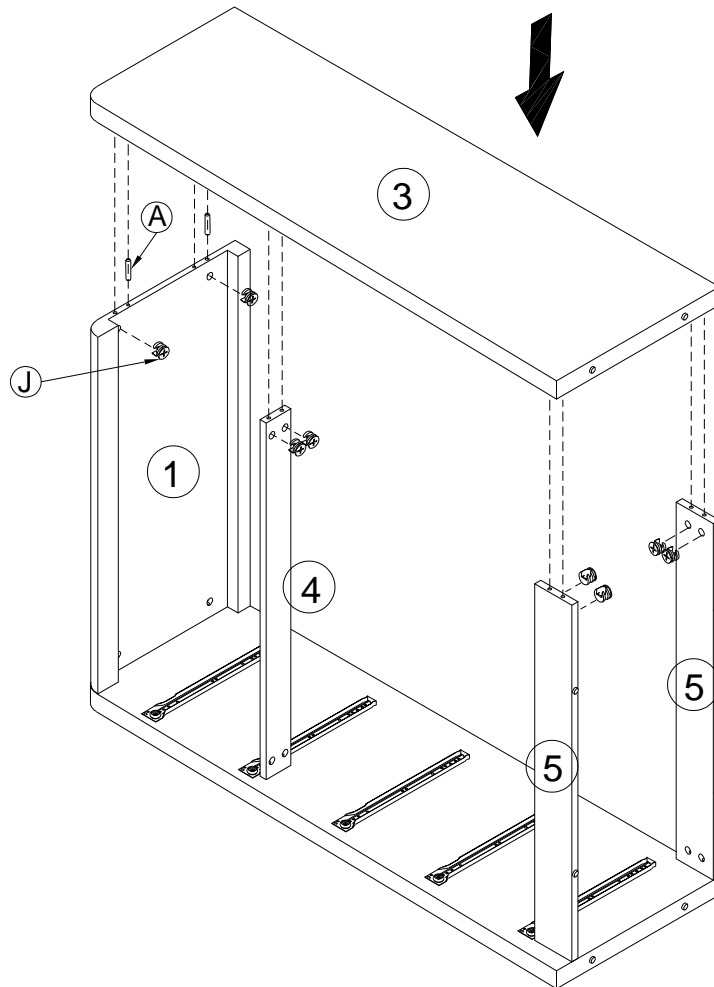
STEP 4



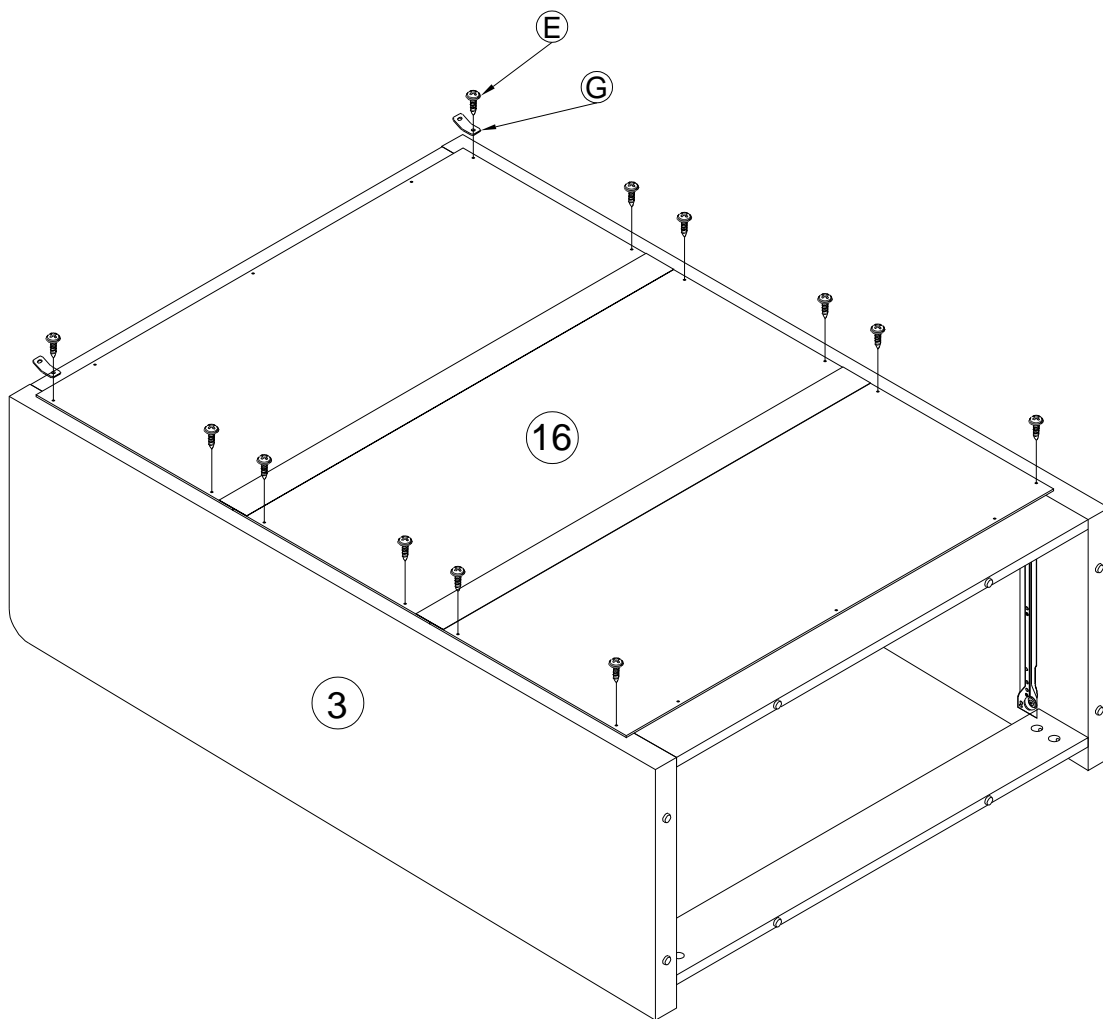
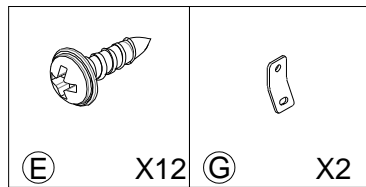
STEP 5



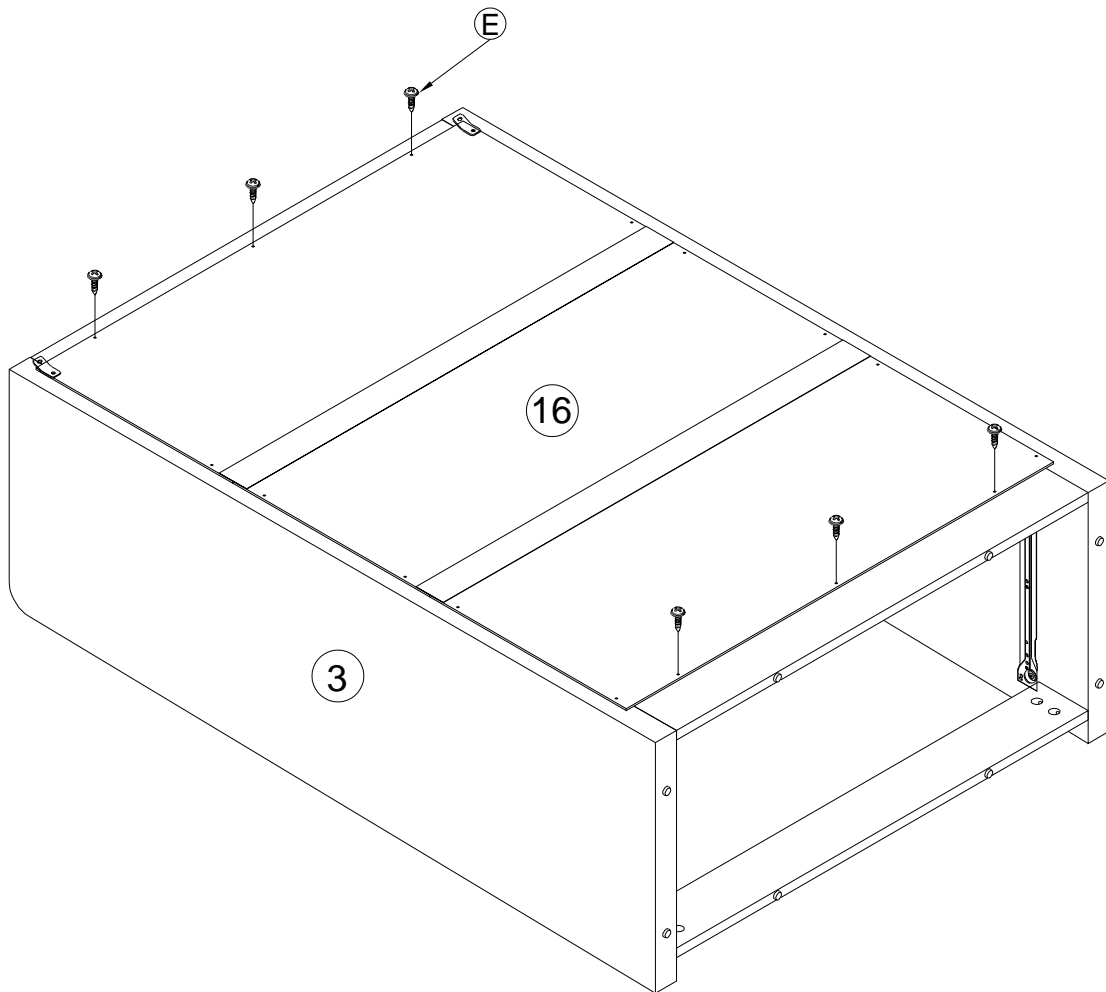
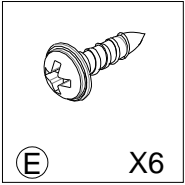
STEP 6



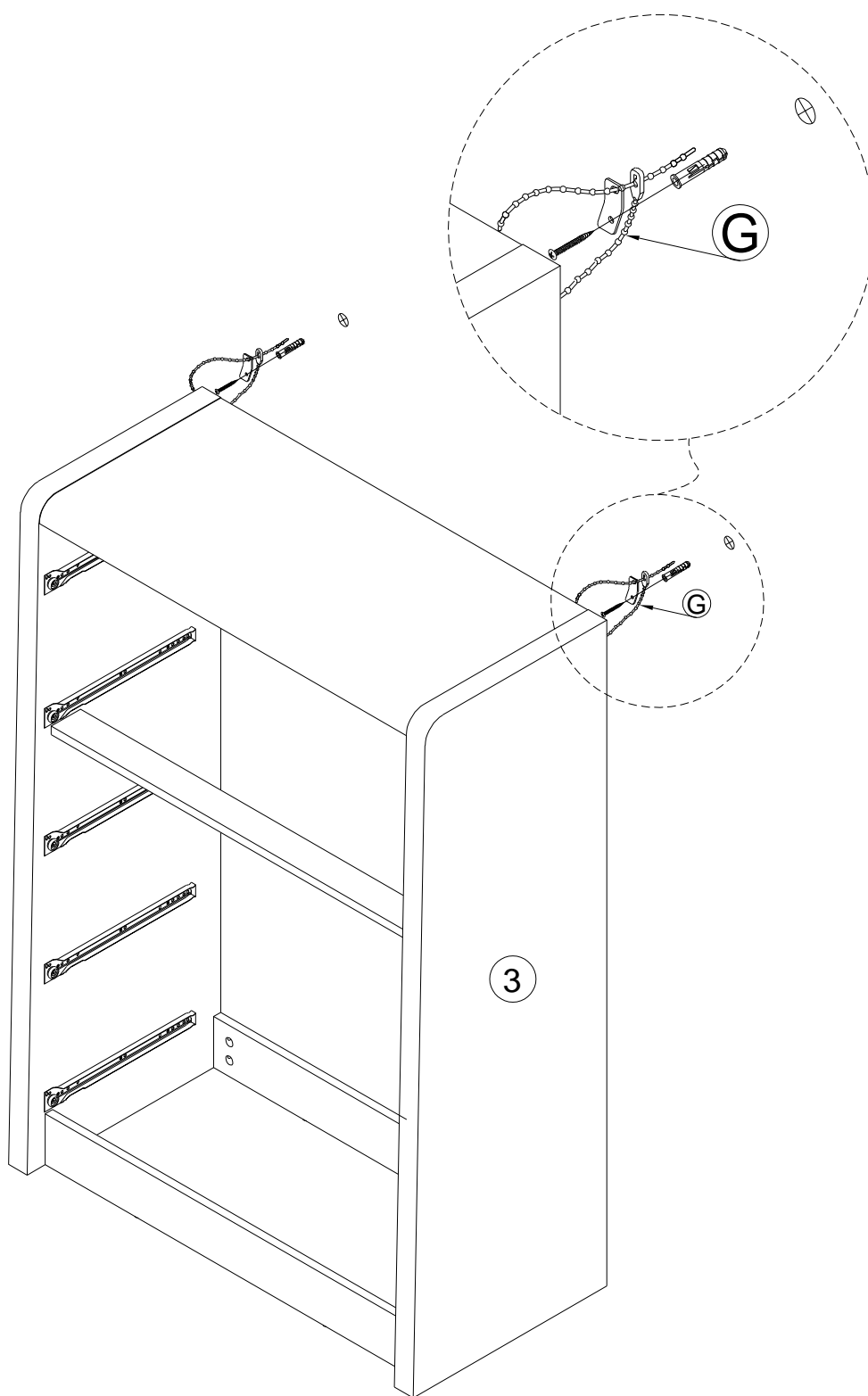
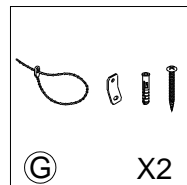
STEP 7



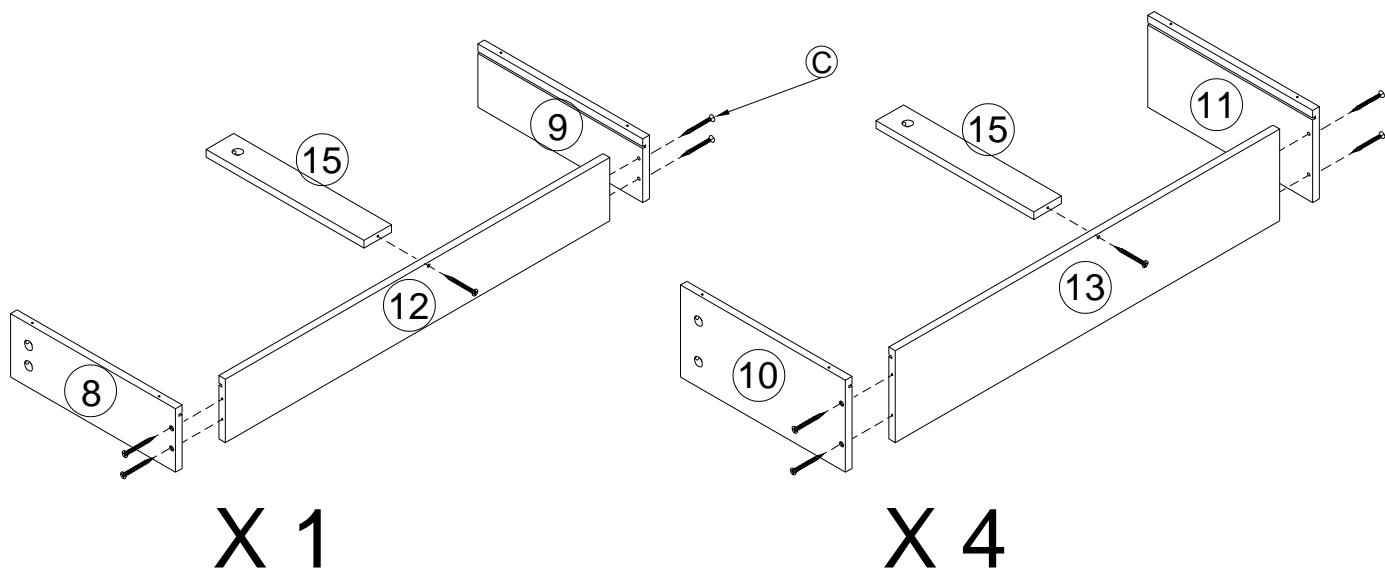
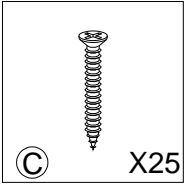
STEP 8



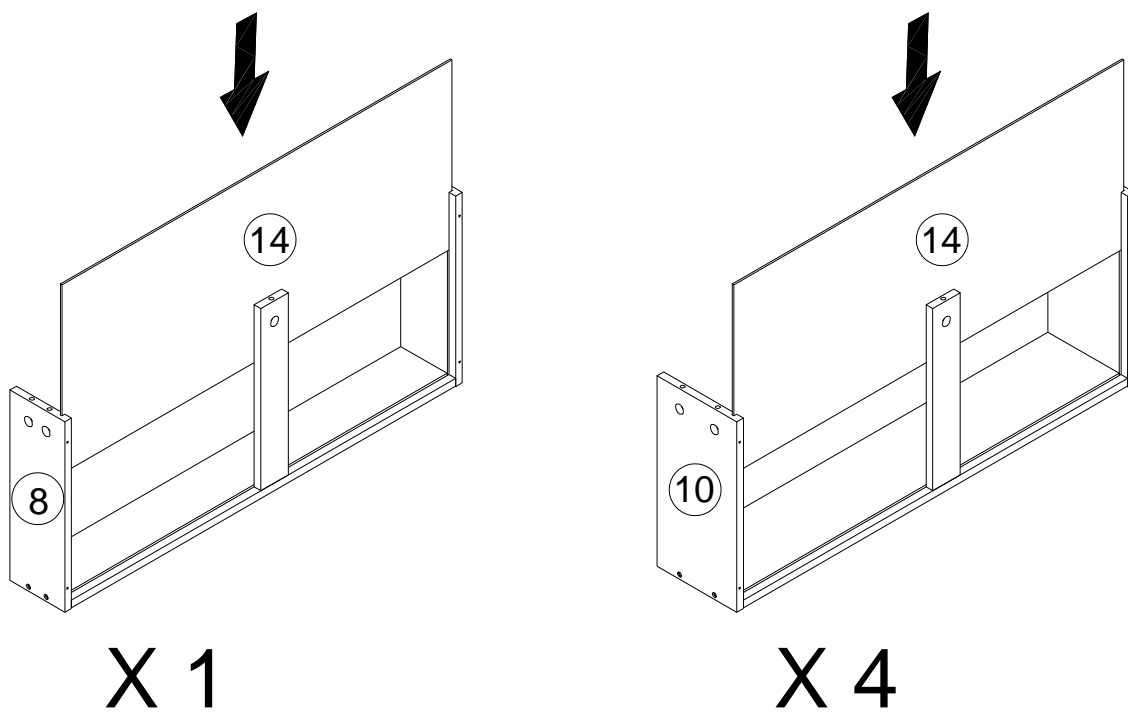
STEP 9



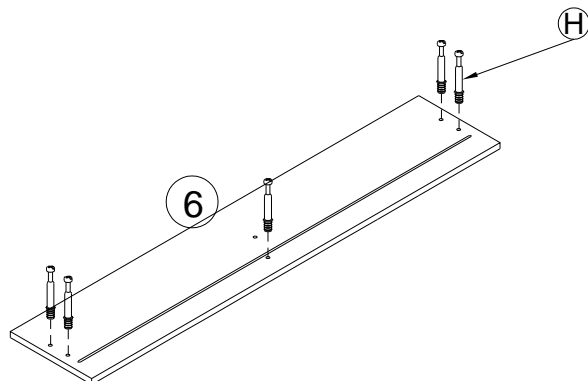
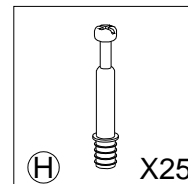
STEP 10



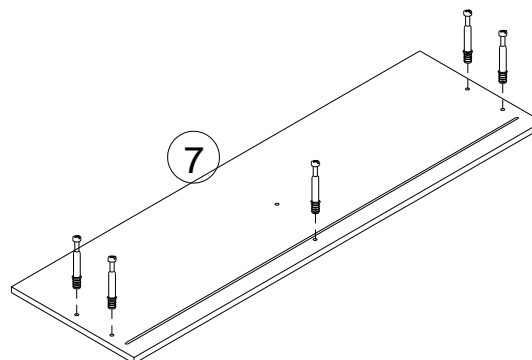
STEP 11



STEP 12

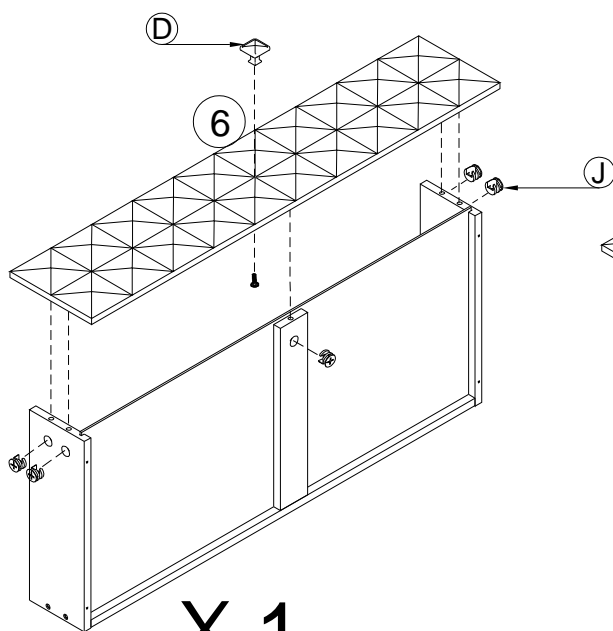
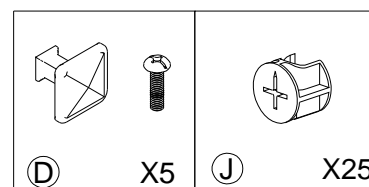


X 1

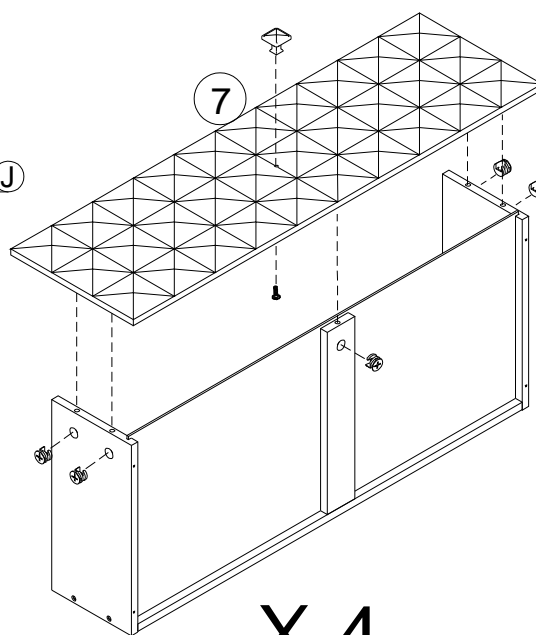


X 4

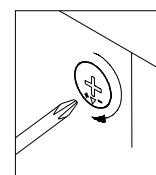
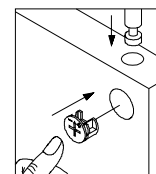
STEP 13



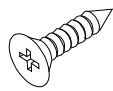
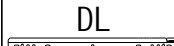

X 1

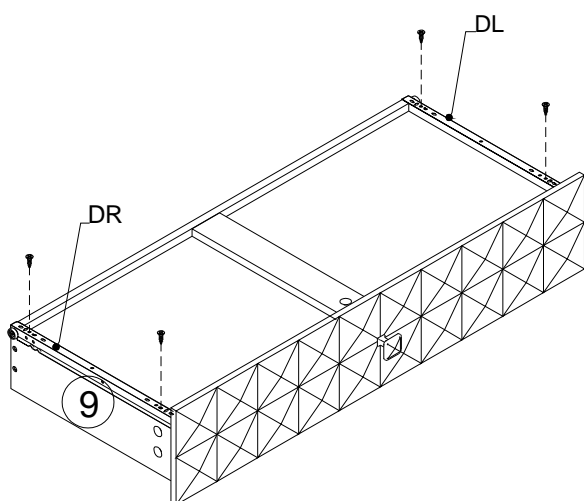
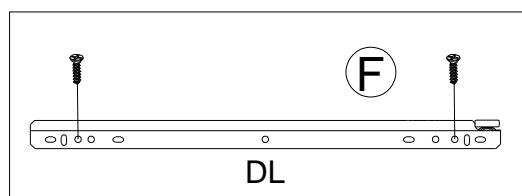
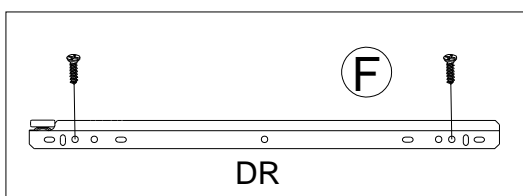


X 4

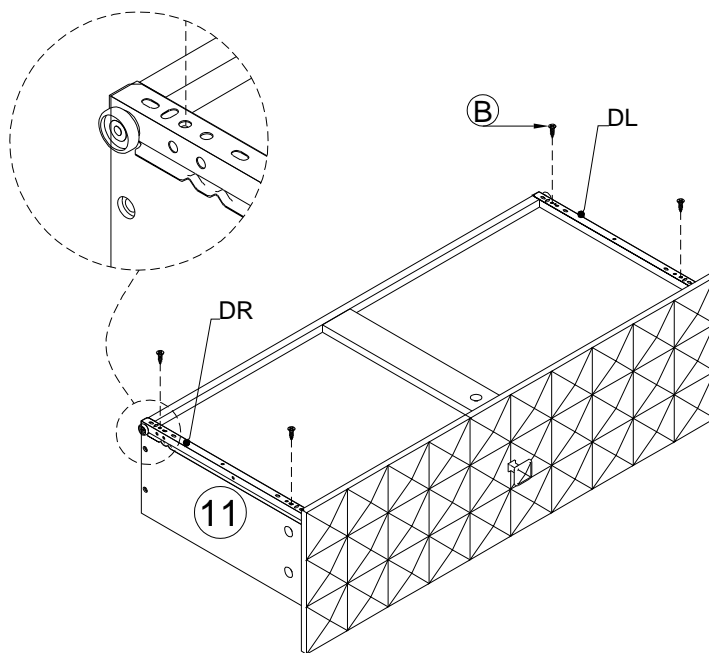


STEP 14

	
(B) X20	
	(F) X5

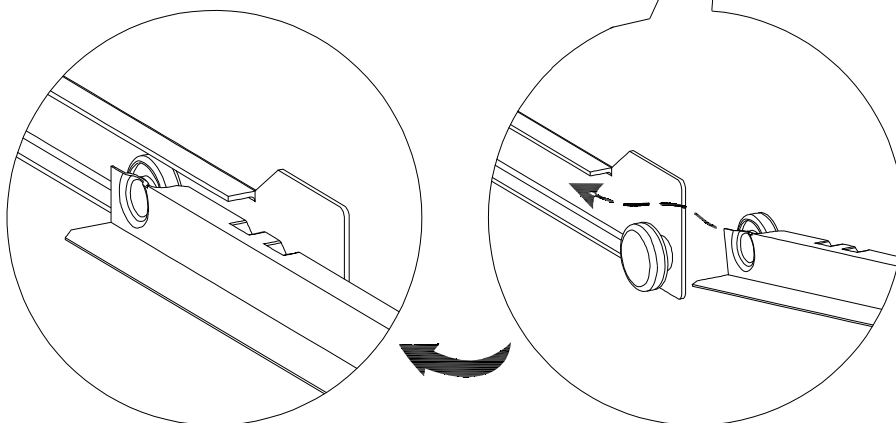
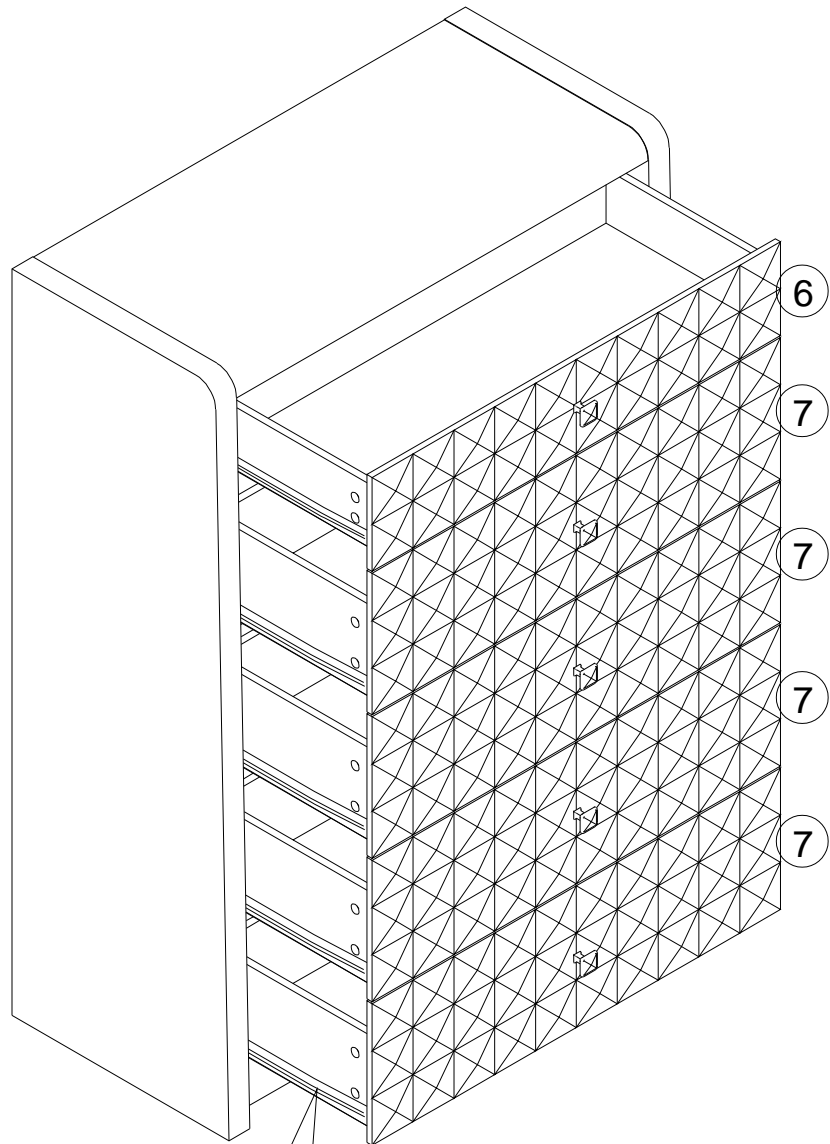


X 1

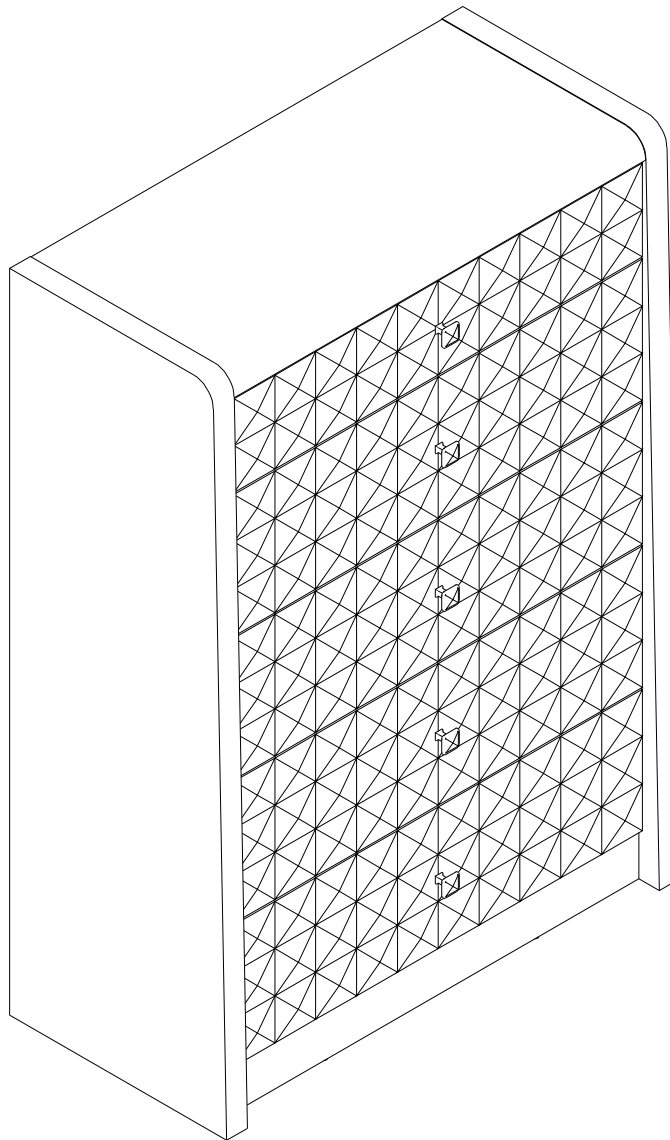


X 4

STEP 15



STEP 16



WARNING



Children have died from furniture tipover. To reduce the risk of furniture tipover:

- ALWAYS install anti-tip device provided.
- NEVER put a TV on this product.
- NEVER allow children to stand, climb or hang on any drawers, doors, or shelves.
- NEVER open more than one drawer at a time.
- Place heaviest items in the lowest drawers.



*This is a permanent label.
Do not remove!*