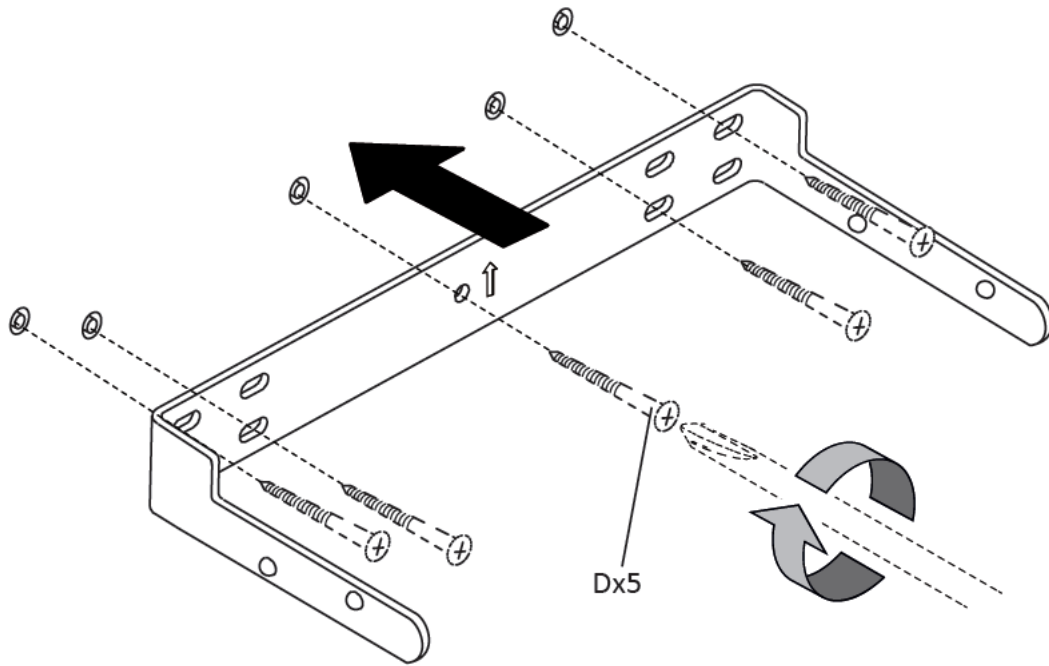
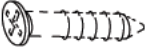


4



Dx5	
	$\Phi 4 \times \frac{45}{1.8}$

5

