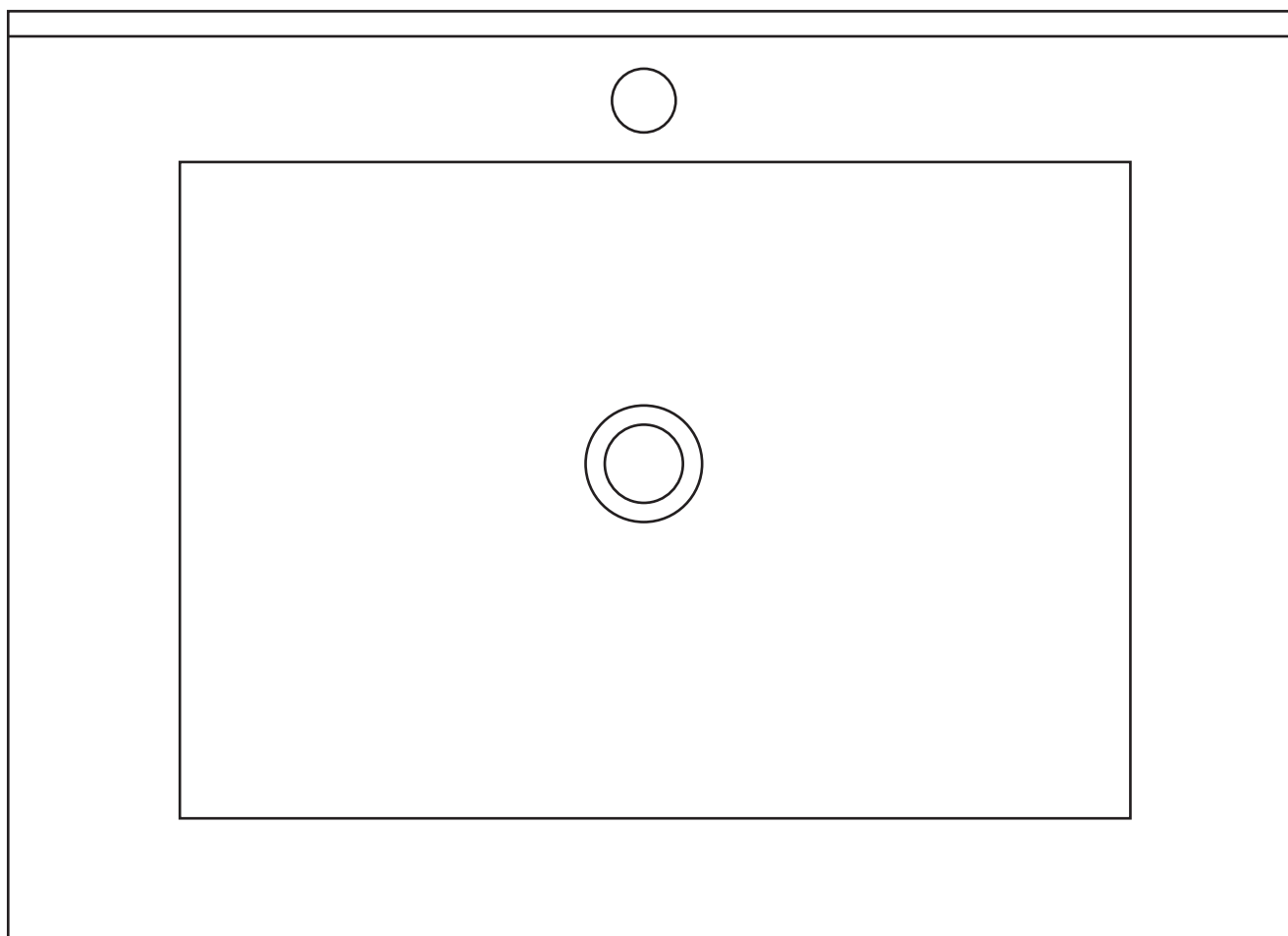


INSTALLATION INSTRUCTIONS

Swiss Madison
well made forever

Voltaire Vanity Top Sink



Share your pictures for a feature!
using **#SwissMadison**





Prior to Installation:

- Inspect sink to ensure no damages have occurred while in shipping.
- Observe all plumbing and building codes in accordance with your state and local requirements.
- Additional floor and wall preparations may be necessary to avoid damage to the product.
- Vanity base must already be assembled and old sink should be removed.
- We recommend a professional for installation. Customer is responsible for damage to countertop and/or sink during installation.

General Recommendations: Read installation and maintenance instructions thoroughly before installing the sink. Be sure to use proper tools and always wear proper personal safety accessories for your protection.

If you have any questions or concerns please contact us:

1-434-623-4766
info@swissmadison.com

Thank you for your purchase

Thank you for purchasing a Swiss Madison Vanity Top Sink.

We appreciate your business and know you will enjoy your sink for many years to come.

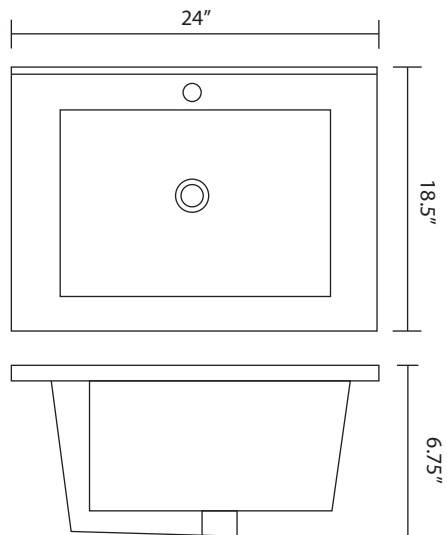
If you have any questions or require assistance we would be happy to help,
please contact us at 1-434-6234766 or info@swissmadison.com.

To learn more about our products, please visit:

www.swissmadison.com

Sincerely,

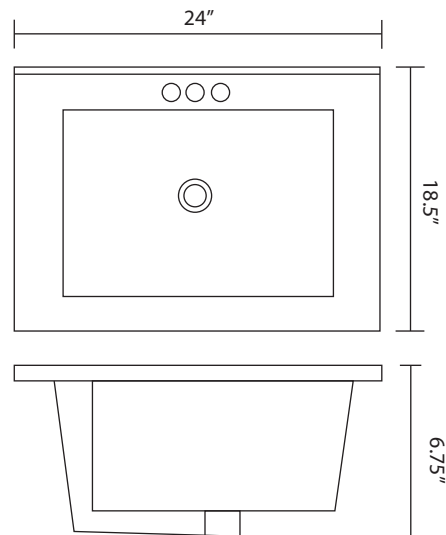
The Swiss Madison Team



SM-VT324

24" x 18 3/8" x 6 3/4"

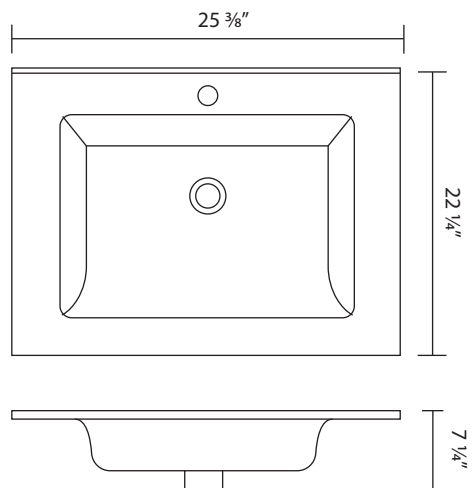
*Matching Drain: SM-PD23



SM-VT324-3

24" x 18 3/8" x 6 3/4"

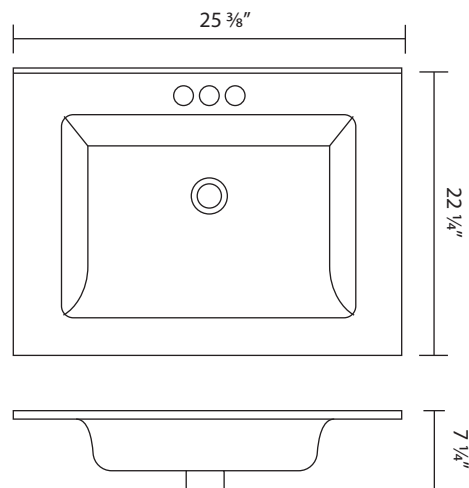
*Matching Drain: SM-PD23



SM-VT327

25 3/8" x 22 1/4" x 7 1/4"

*Matching Drain: SM-PD23



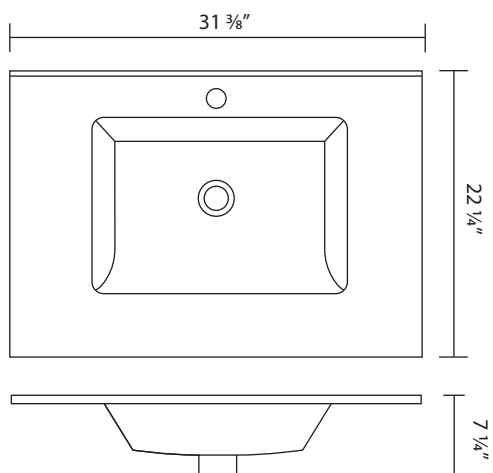
SM-VT327-3

25 3/8" x 22 1/4" x 7 1/4"

*Matching Drain: SM-PD23

NOTE: Pictures may not define contour of china and components.

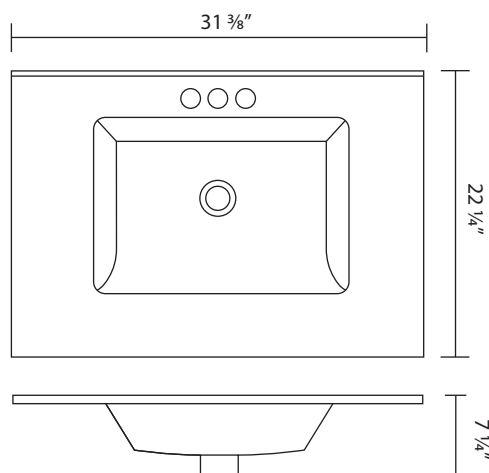
*Matching drains are not included, please contact us if you wish to purchase one.



SM-VT328

31 3/8" x 22 1/4" x 7 1/4"

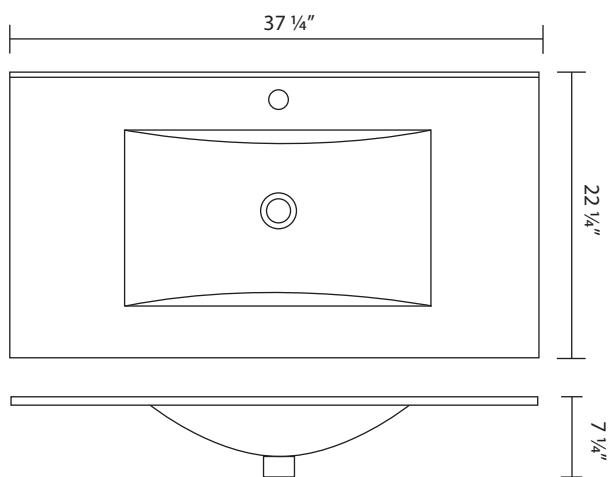
*Matching Drain: SM-PD23



SM-VT328-3

31 3/8" x 22 1/4" x 7 1/4"

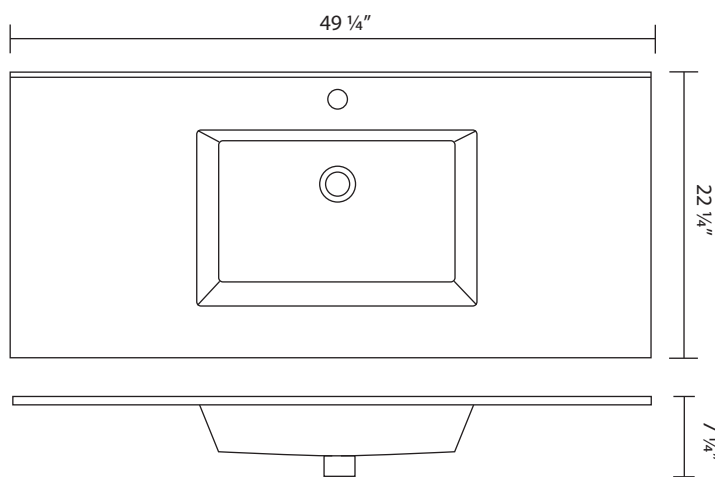
*Matching Drain: SM-PD23



SM-VT329

37 1/4" x 22 1/4" x 7 1/4"

*Matching Drain: SM-PD23



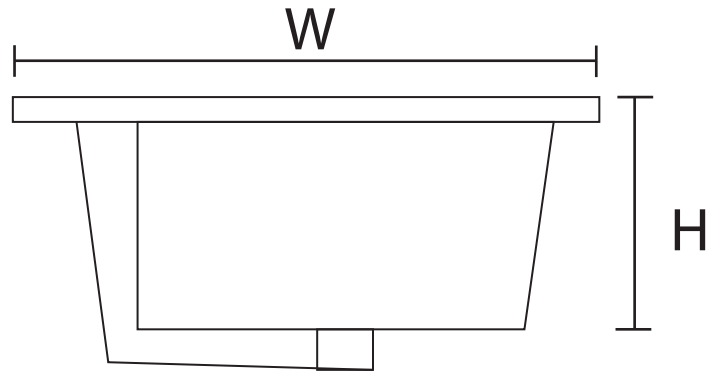
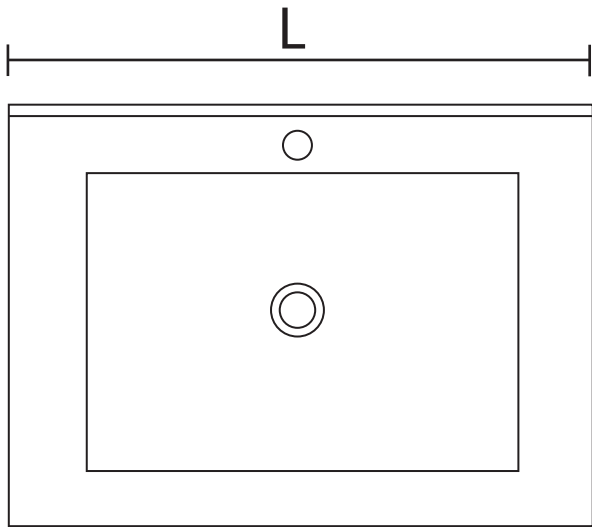
SM-VT330

49 1/4" x 22 1/4" x 7 1/4"

*Matching Drain: SM-PD23

NOTE: Pictures may not define contour of china and components.

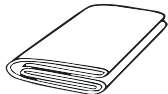
*Matching drains are not included, please contact us if you wish to purchase one.



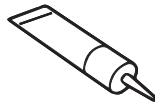
SUGGESTED TOOLS AND MATERIALS



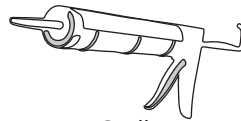
Safety Glasses



Towel



Adhesive



Caulk



Adjustable Wrenches



Gloves

PARTS LIST

- Swiss Madison Sink
- Drain (not included)
- Faucet (not included)

The step-by-step guidelines in the installation instructions are a general reference for installing a Swiss Madison Sink. Should there be any discrepancies, Swiss Madison cannot be held liable. It is recommended to install all Swiss Madison products by hiring a licensed professional



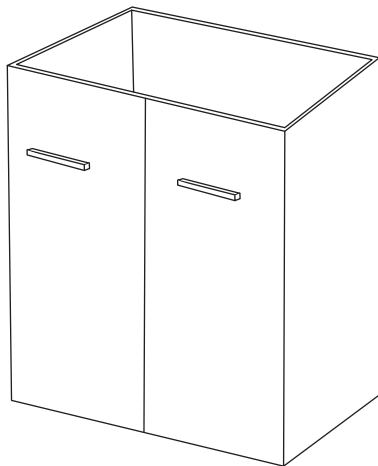
1. Read the complete instruction manual before beginning installation.
2. Confirm that your model will fit in intended location and plumbing fixtures are located where legally required before beginning installation.
3. Not all drawings on this manual are drawn to scale. Please refer to the model chart.
4. Two people are recommended to install and move this product.



NOTE: Specialized tools may be necessary to install Swiss Madison Vanity Top Sink.

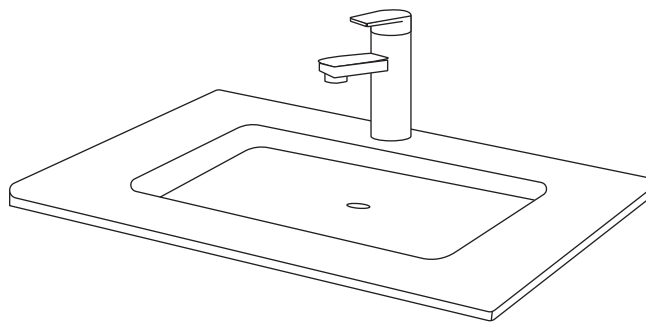
1. Prep Installation Area

- Disconnect water supplies.
- If you are replacing an old vanity top be sure to have already removed the old sink.
- If you are installing a new vanity make sure it is assembled as instructed by the manufacturer.



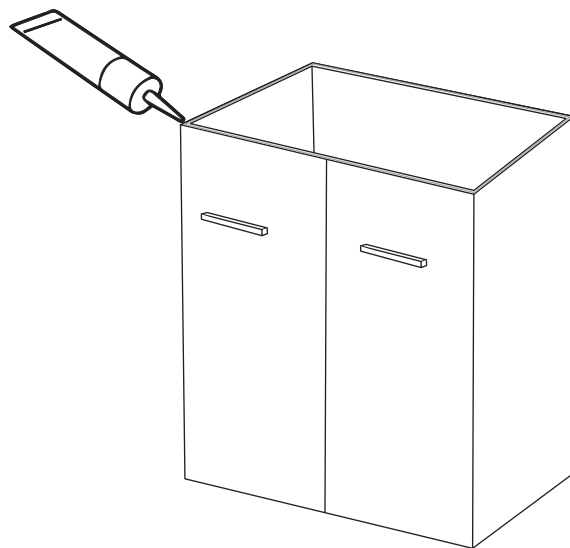
2. Install Faucet and Drain

- Following manufacturer's instructions, install drain and faucet onto vanity top.



3. Apply Adhesive

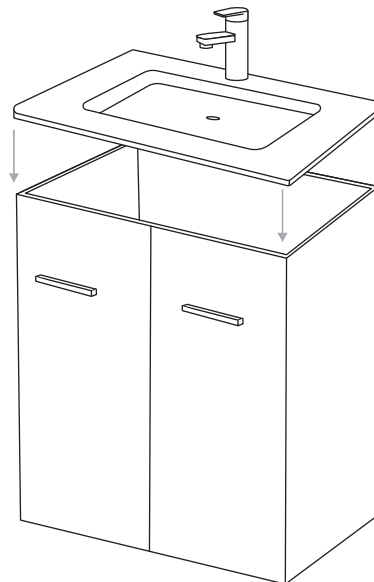
- Using your chosen adhesive, apply a bead of silicone around the rim of the vanity base.



NOTE: Drawings may not exactly define contour of china.

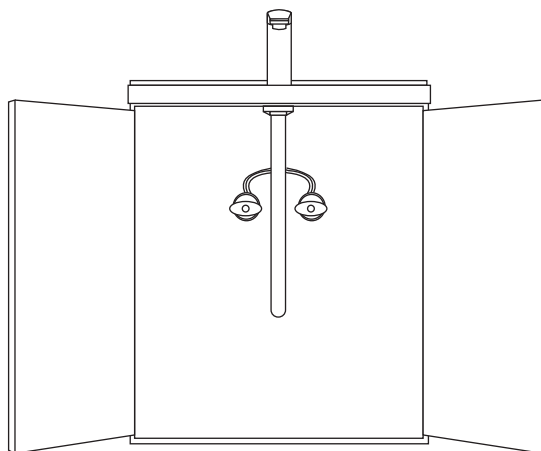
4. Secure Sink

- Carefully lower sink into place so that it is resting on the vanity base.
- Press sink firmly into place and wipe away excess sealant with a damp cloth.
- Allow for adhesive to cure; this is dependent upon which adhesive you choose to use. Be sure to check the instructions on your adhesive prior to use.



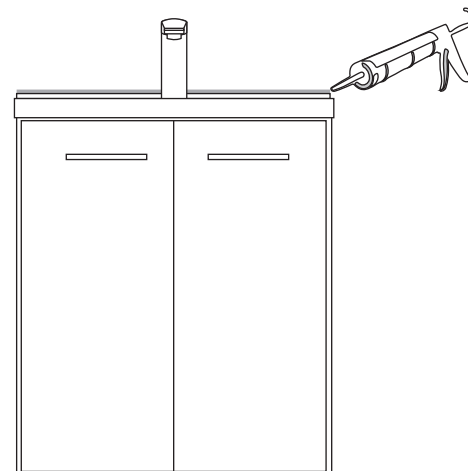
5. Install Plumbing Fixtures

- Connect drain, trap to drain, and water supply connections to the faucet according to manufacturer's instruction.
- Run water and check for leaks.



6. Installing Plumbing Fixtures

- Apply a bead of caulk along the back edge of the sink against the wall.
- Wipe away any excess.



NOTE: Drawings may not exactly define contour of china.



ONE YEAR LIMITED WARRANTY

1-434-MADISON

(623-4766)

19 Stults Rd., Dayton, NJ 08810

www.swissmadison.com

Swiss Madison® products are made with quality materials and excellent craftsmanship to provide the customers a long lasting product. In the case of any defects in materials or craftsmanship under regular use were inspected in the first year of purchase, Swiss Madison® will provide replacement parts at no charge, or at its option, replace any product or part of the product that is deemed defective, under normal installation, use, service and maintenance. This warranty applies only to the original purchaser. Proof of purchase will be required in the case of a claim.

Swiss Madison® recommends the installations to be made by a licensed, professional plumber. Swiss Madison® will not be held responsible for any damage or product failure due to improper installation, misuse, or failure to use a licensed professional. Swiss Madison® is not responsible for any removal or installation cost.

This One Year Limited Warranty will be voided if:

- The installation recommendations were not followed.
- The product has been moved from it's initial place of installation.
- The product has been modified.
- The product has been subjected to improper maintenance, abuse, misuse, excessive use of chemicals, accident or other damages.

Swiss Madison® makes no implication that products comply with any or all local building or plumbing codes. It is the consumer's responsibility to determine local code compliance. This warranty extends to the original purchaser and first consumer.

Swiss Madison® is not liable for any incidental, consequential or special damages associated with the return, replacement, installation or use of your product. This includes freight costs, labor, travel time, lost profit, home damages and other contingent liabilities and costs (including, without limitation, costs associated with experts, investigations, analyses, attorneys and other professionals and services).

The Swiss Madison® warranty is a comprehensive and explicit limit of liability, and all items outside of it are not addressable by or the responsibility of Swiss Madison®. Certain states have variances regarding implied warranties and in those situations we remain fully compliant.

In the case of any questions or a claim contact us directly at 1-434-MADISON (623-4766).

WARNING: Content may contain sharp and other possibly harmful pieces and may cause hazard to children and adults, Swiss Madison® is not responsible in any way for personal damage.