

# Assembly Instructions

## Return Policy

We believe you will absolutely love your new item. But if for some reason you want to return, please contact us directly before you decide to return your product. Our customer service organization can answer most concerns and assist you with any questions you may have about your new item, please email us first at: [support@vecelo.com](mailto:support@vecelo.com).

The item must be return within 30 days of delivery for a full refund. The item must be returned in good condition, in original box, with all original proof of purchase, parts and accessories.

## Trouble shooting

Missing parts	Other issues
Send email with your question to <a href="mailto:support@vecelo.com">support@vecelo.com</a>	Send email with your question to <a href="mailto:support@vecelo.com">support@vecelo.com</a>
Resend within 24 hours	Resend within 24 hours
Issue resolved	Issue resolved

We control manufacturing and distribution ourselves, ensure the quality.


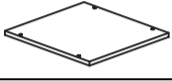

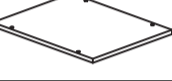








## Tips!

Check all the components & screws before assembly. **Do not install in case part is missing, contact us to get.** Send email with your question to [support@vecelo.com](mailto:support@vecelo.com). We will resend within 24 hours.

## Customer Service

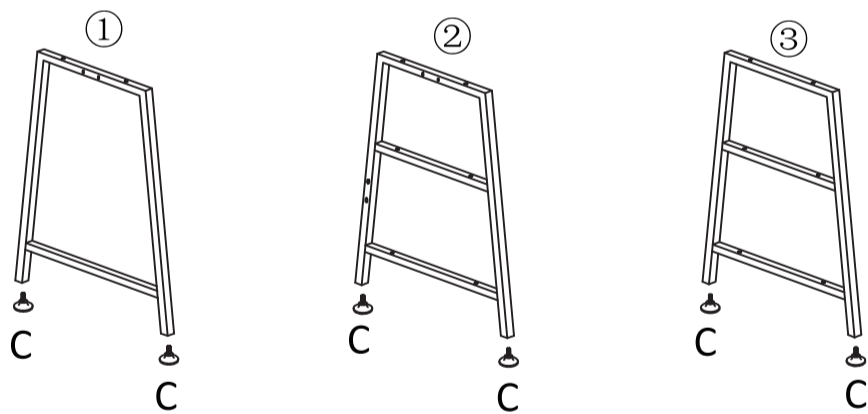
Email: [support@vecelo.com](mailto:support@vecelo.com)

Website: [www.vecelo.com](http://www.vecelo.com)

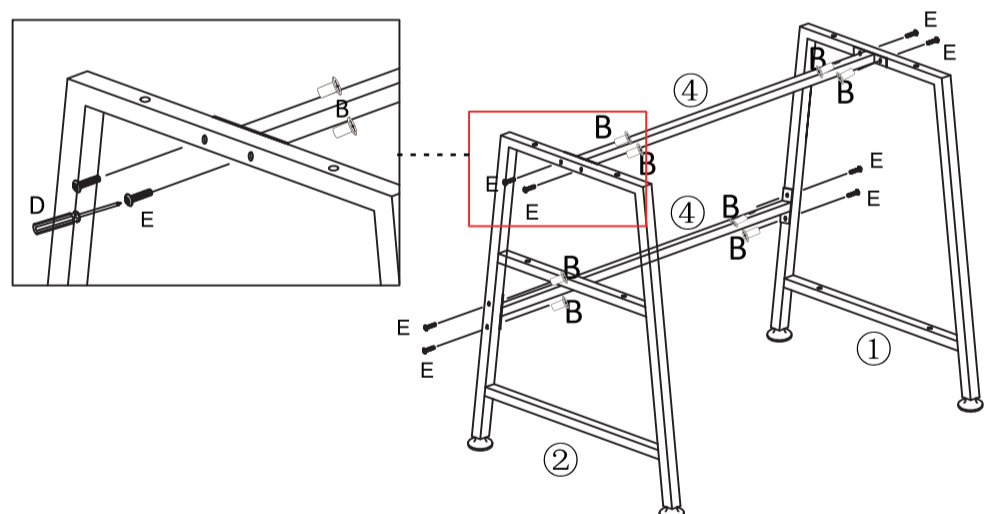
1		1	6		330x300mm	1
2		1	7		390x300mm	1
3		1	A		M6x30mm	14
4		2	B		M6mm	8
5		1	C			6
			D			1
			E		M6x15mm	8

## Assembly instructions (shelf on the left side)

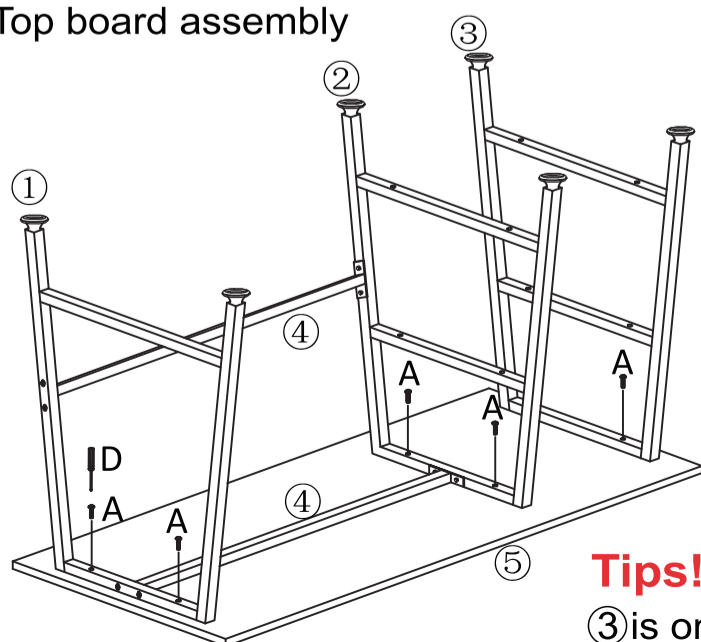
### 1 Adjustment feet assembly



### 2 Connect 1 & 2

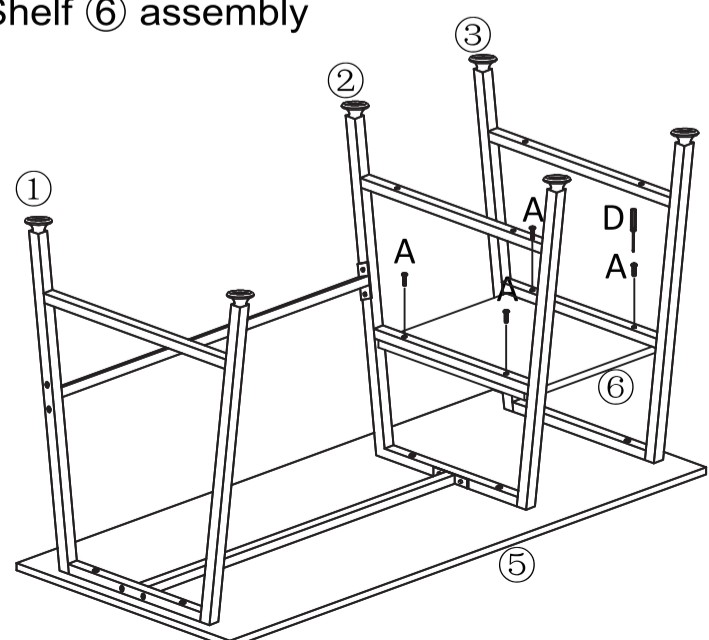


### 3 Top board assembly

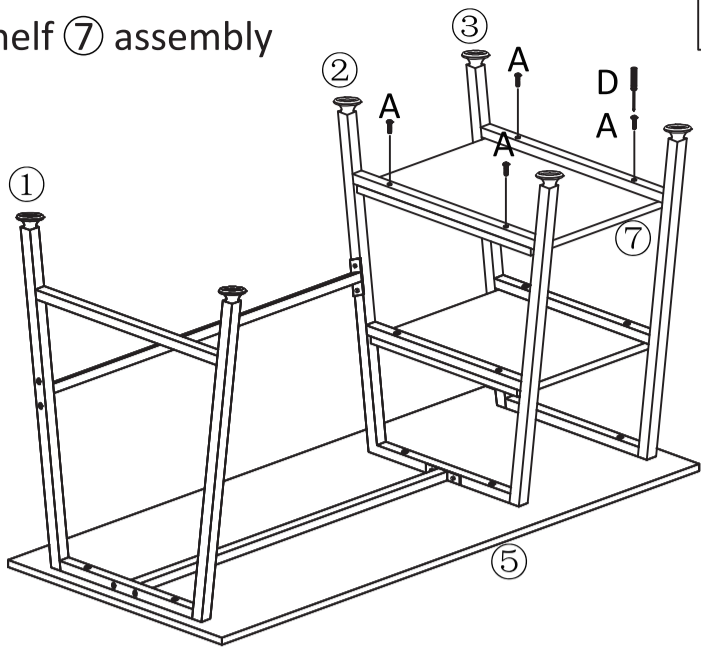


**Tips!**  
③ is on the right

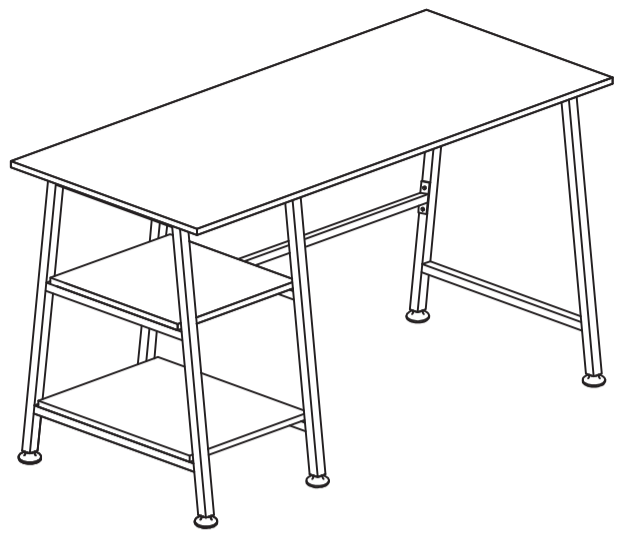
### 4 Shelf 6 assembly



5 Shelf 7 assembly

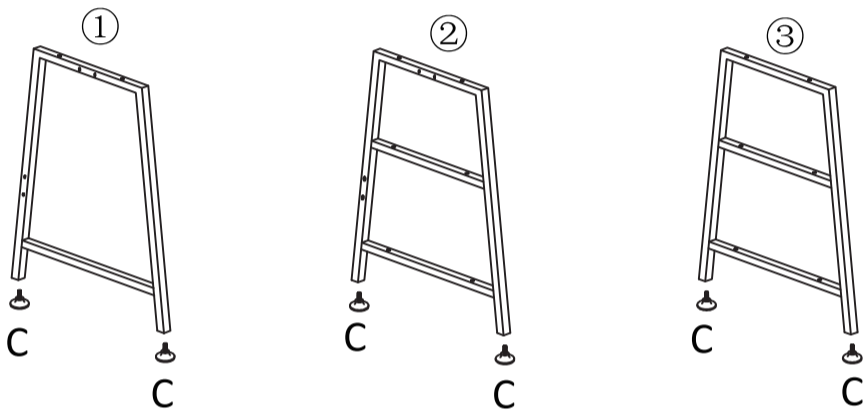


6 Check and tighten all screws

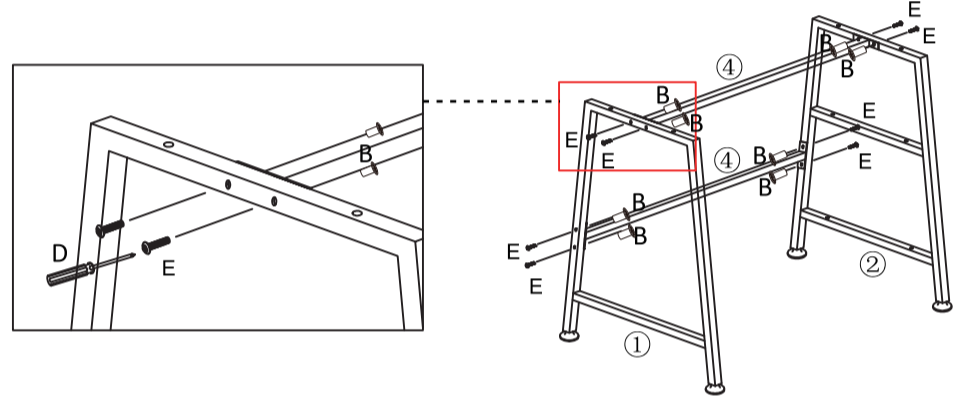
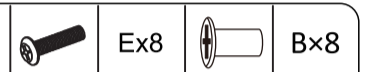


Assembly instructions (shelf on the right side)

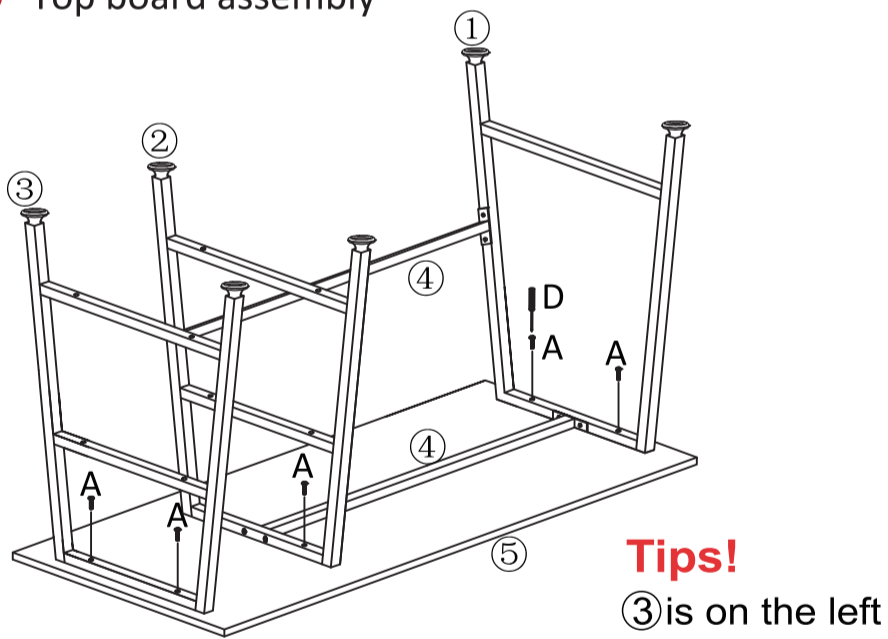
1 Adjustment feet assembly



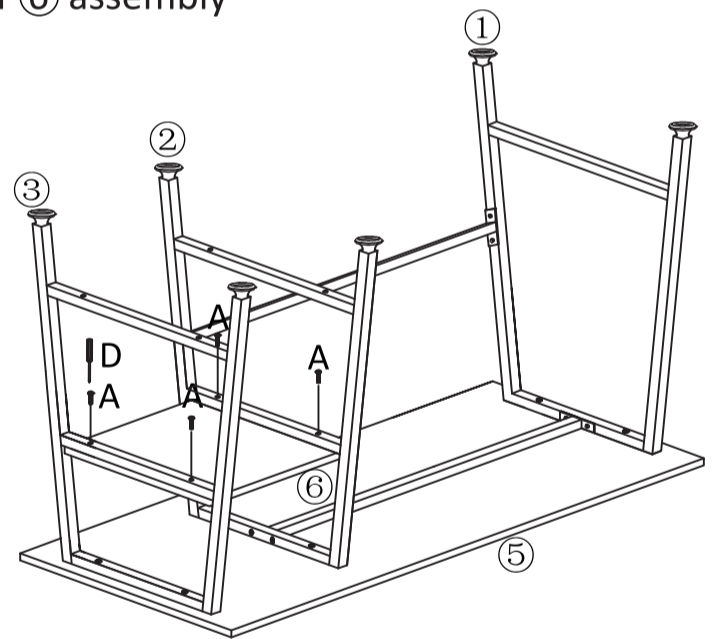
2 Connect 1 & 2



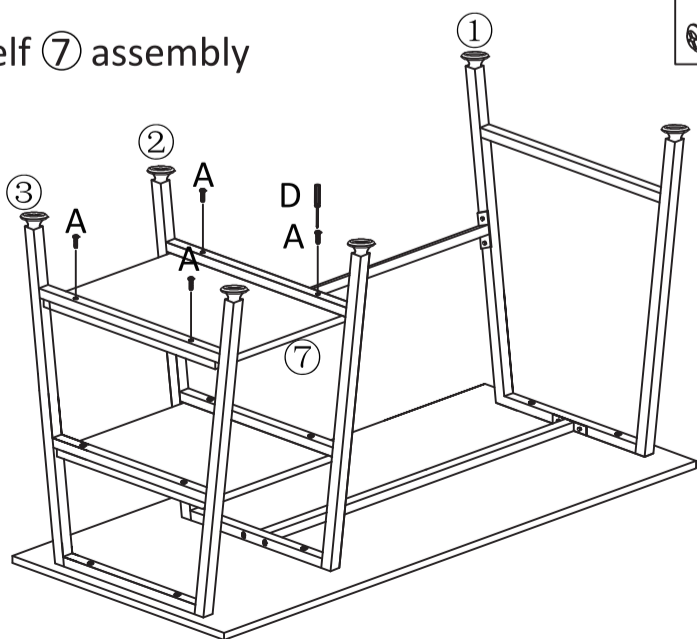
3 Top board assembly



4 Shelf 6 assembly



5 Shelf 7 assembly



6 Check and tighten all screws

