

Assembly Instruction

Addy Outdoor Adirondack Chair

Your furniture requires assembly prior to use. It is important that you read the entire assembly instructions to become familiar with the unit before you set up this product.

Safety Warning and Precautions

WARNING: When setting up your furniture, basic precautions should always be followed to reduce risk of personal injury and damage to the product.

Read all instructions before assembly and usage this product.







1. Select ideal location. Set out all parts on a clear and level surface prior to assembly. Ideally, the furniture should be set up in the desired location to avoid moving it after assembly.
2. Use caution. During all the processes of assembling, especially when lifting heavy or large parts, pay attention to safety.
3. Tools and Assistance. An adjustable spanner is required for assembly. It is recommended 2 people assist with assembly.
4. Check all parts before assembling, ensure you have all parts detailed in the parts list on Page 2.
5. Refer to assembly diagram. During assembly, refer to the assembly instructions on following pages.
6. Caution. Keep children away from work area during assembly. Do not allow children to handle parts or tools while assembling.


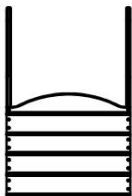





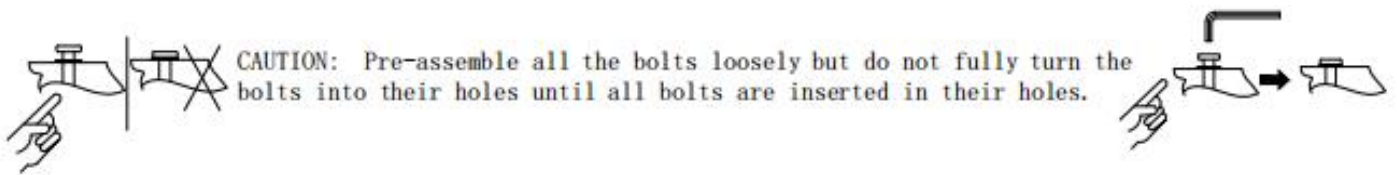
Assembly Instruction

Addy Outdoor Adirondack Chair

PANEL AND FITTINGS IDENTIFICATION

Part #	A	B	C	D	E	F
Description:	Left Front Leg	Right Front Leg	Right Armrest	Left Armrest	Back Connecting Rod	Front Connecting Rod
Figure:						
Qty:	1	1	1	1	1	1

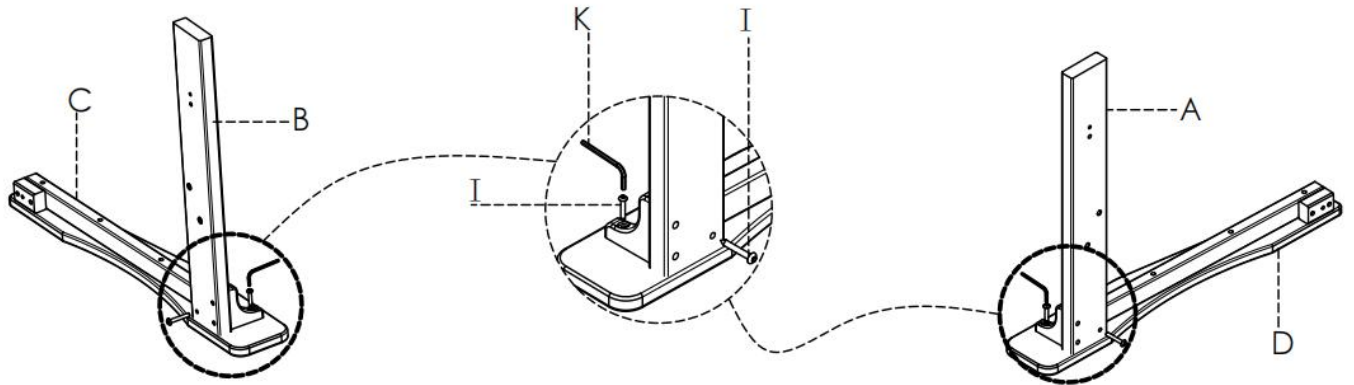
Part #	G	H	I	J	K	
Description:	Back Panel	Seat Panel	Screw M6*38	Screw M6*65	Allen Wrench	
Figure:						
Qty:	1	1	8	8	1	



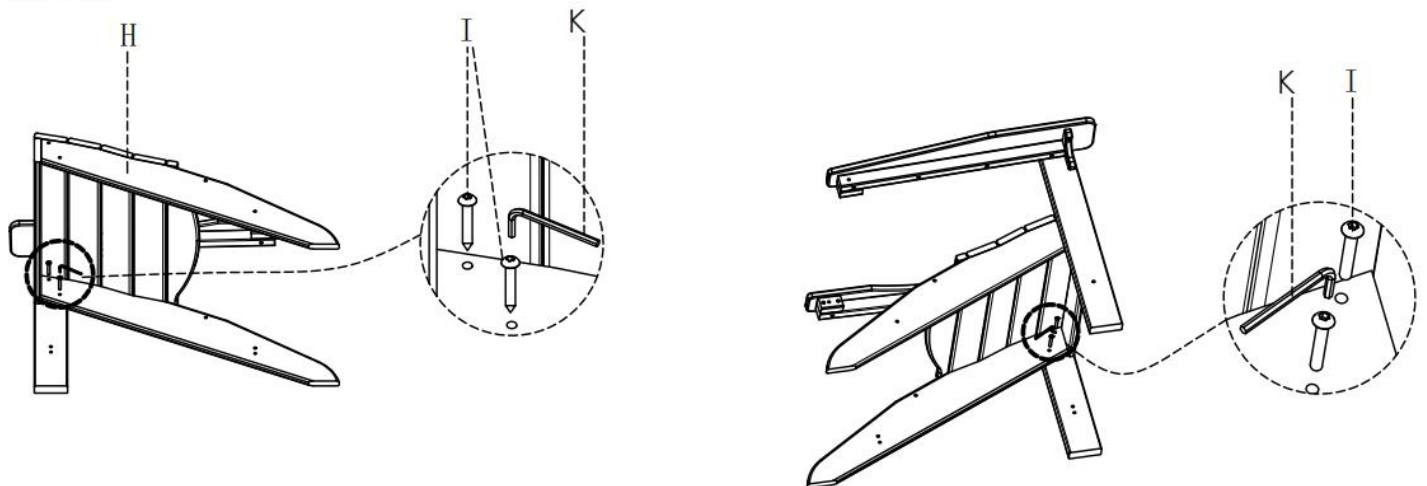
Assembly Instruction

Addy Outdoor Adirondack Chair

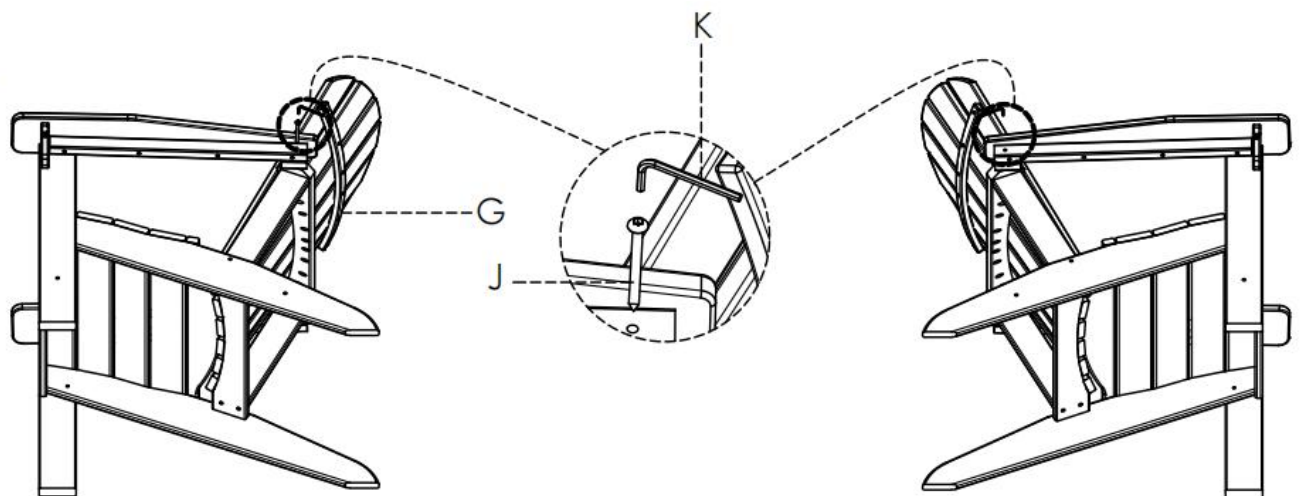
STEP1:



STEP2:



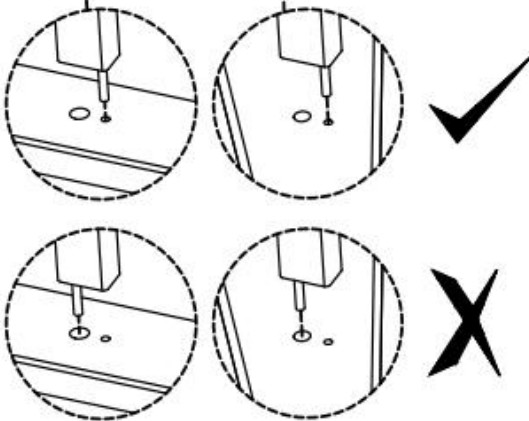
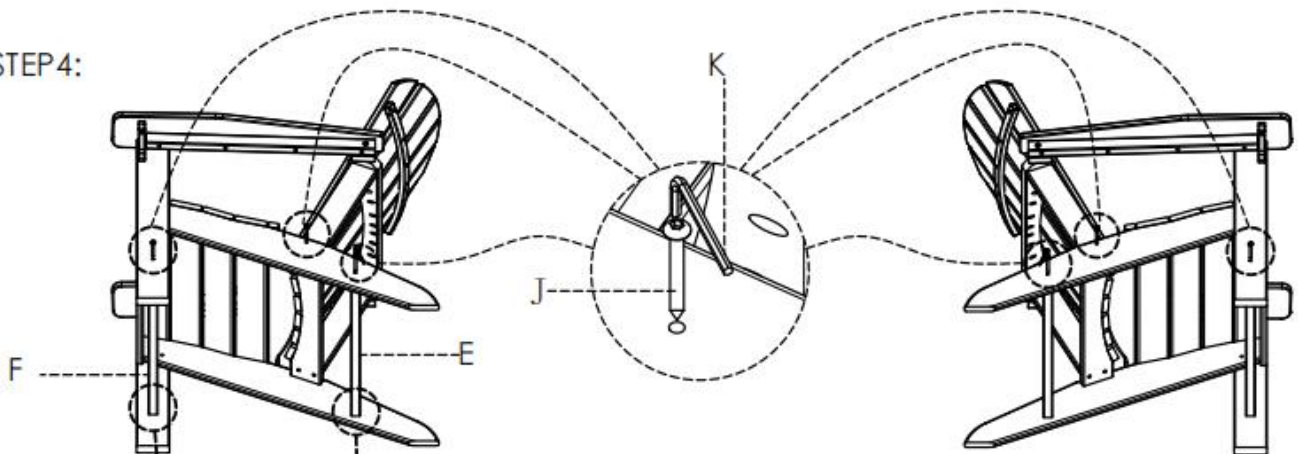
STEP3:



Assembly Instruction

Addy Outdoor Adirondack Chair

STEP 4:



Warning: Attach the plastic dowel into the smaller hole.



Steps:

1. Attach the Right Armrest (Part C) to the Right Front Leg (Part B) with Screws M6*38 (Part I) by using Allen Wrench (Part K). Attach the Left Armrest (Part D) to the Left Front Leg (Part A) with Screws M6*38 (Part I) by using Allen Wrench (Part K).
2. Attach the Right Front Leg (Part A) and the Left Front Leg (Part B) to the Seat Panel (Part H) with Screws M6*38 (Part I) by using Allen Wrench (Part K).
3. Attach the Left Armrest (Part D) and the Right Armrest (Part C) to the Back Panel (Part G) with Screws M6*65 (Part J) by using Allen Wrench (Part K).
4. Attach the Back Panel (Part G) to the Seat Panel (Part H) with Screws M6*65 (Part J) by using Allen Wrench (Part K). Attach the Back Connecting Rod (Part E) to the Seat Panel (Part H) and attach the Front Connecting Rod (Part F) to the Seat Panel (Part H) with Screws M6*65 (Part J) by using Allen Wrench (Part K).

Tighten all screws. Your chair is ready to use. (Note: Pre-assemble all the bolts loosely but do not fully turn the bolts into their holes until all bolts are inserted in their holes.)

Periodically check and make sure that all screws are fully tightened.