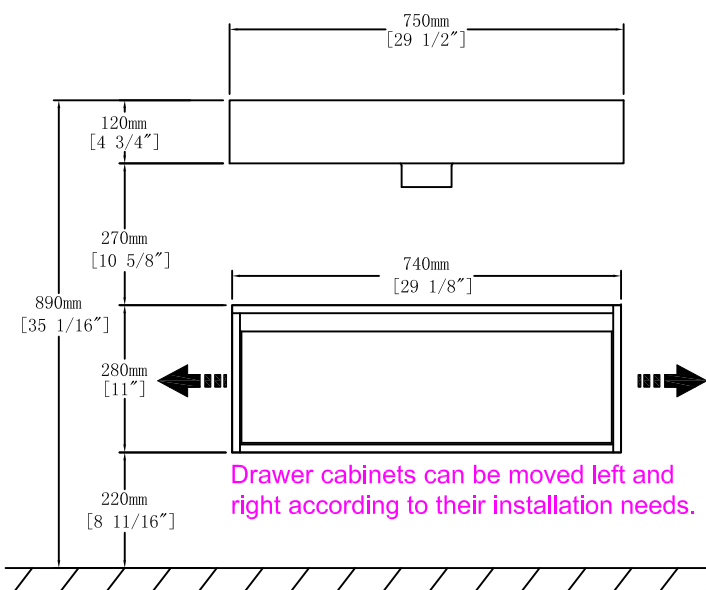
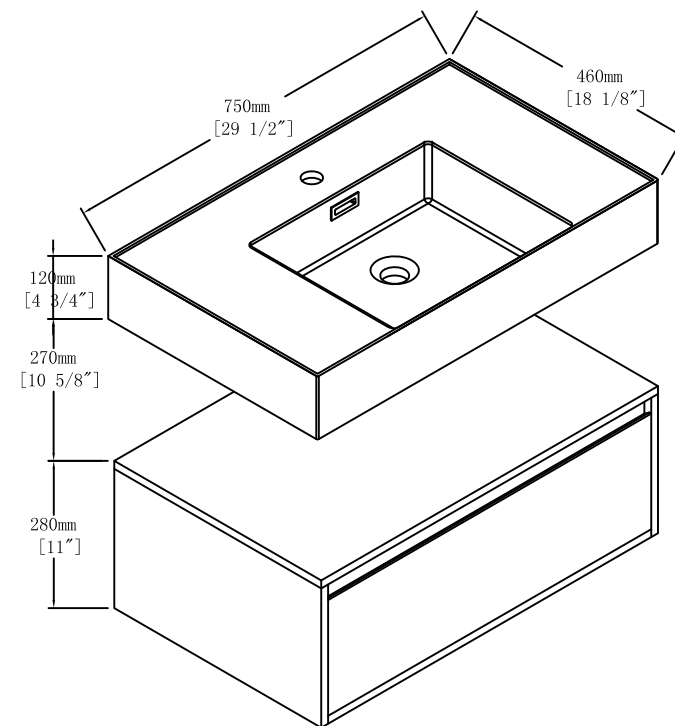
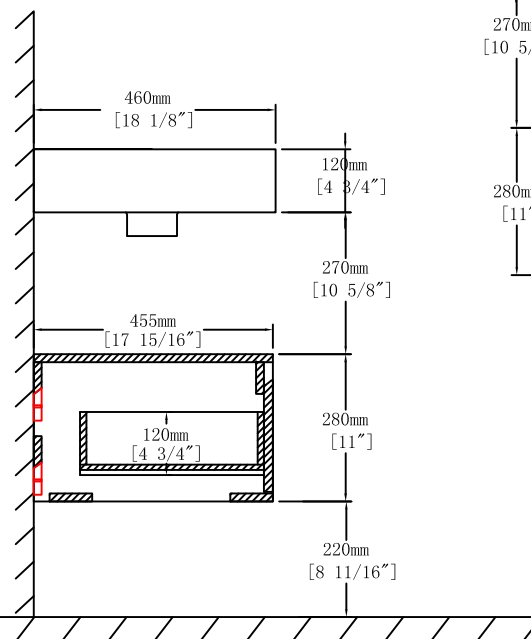


Top View

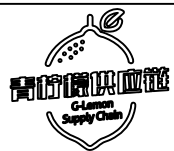


Drawer cabinets can be moved left and right according to their installation needs.

Front View



Side View



Item NO.

BV B09430-M

Version

V1

Project

Date

2024-7-15