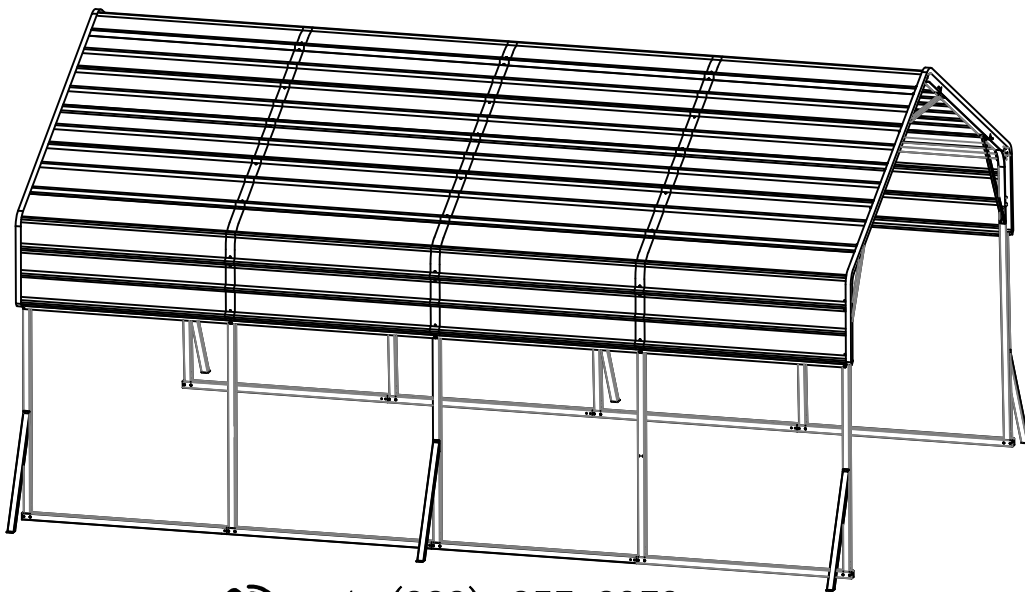


CARPORT INSTALLATION INSTRUCTION

Model: 13 X 21 Ft



☎: +1 (888) 857-8979















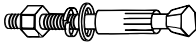




✉: info@garvee.com

***IMPORTANT! PLEASE READ THIS INSTRUCTION
CAREFULLY BEFORE INSTALLATION.***





1. Have at least two adults during installation. Read all instructions carefully and follow it accordingly. Failure to do so may result to injury or damage to the carport.
2. Never set-up the product in rainy, windy or stormy conditions, especially lightning storms.
3. Keep your carport off of the steep slopes and inclination.
4. After installation, the carport should be anchored to prevent damage and possible injury. It is the user's responsibility to properly anchor the product.
5. Always inspect the carport and each part before use. Make sure that everything is tightly secured. Replace any worn, defective missing parts.
6. For a better installation and use experience, it is recommended to bring your own ladder, scissors, electric drill and glass glue.

PACKAGE CONTENTS

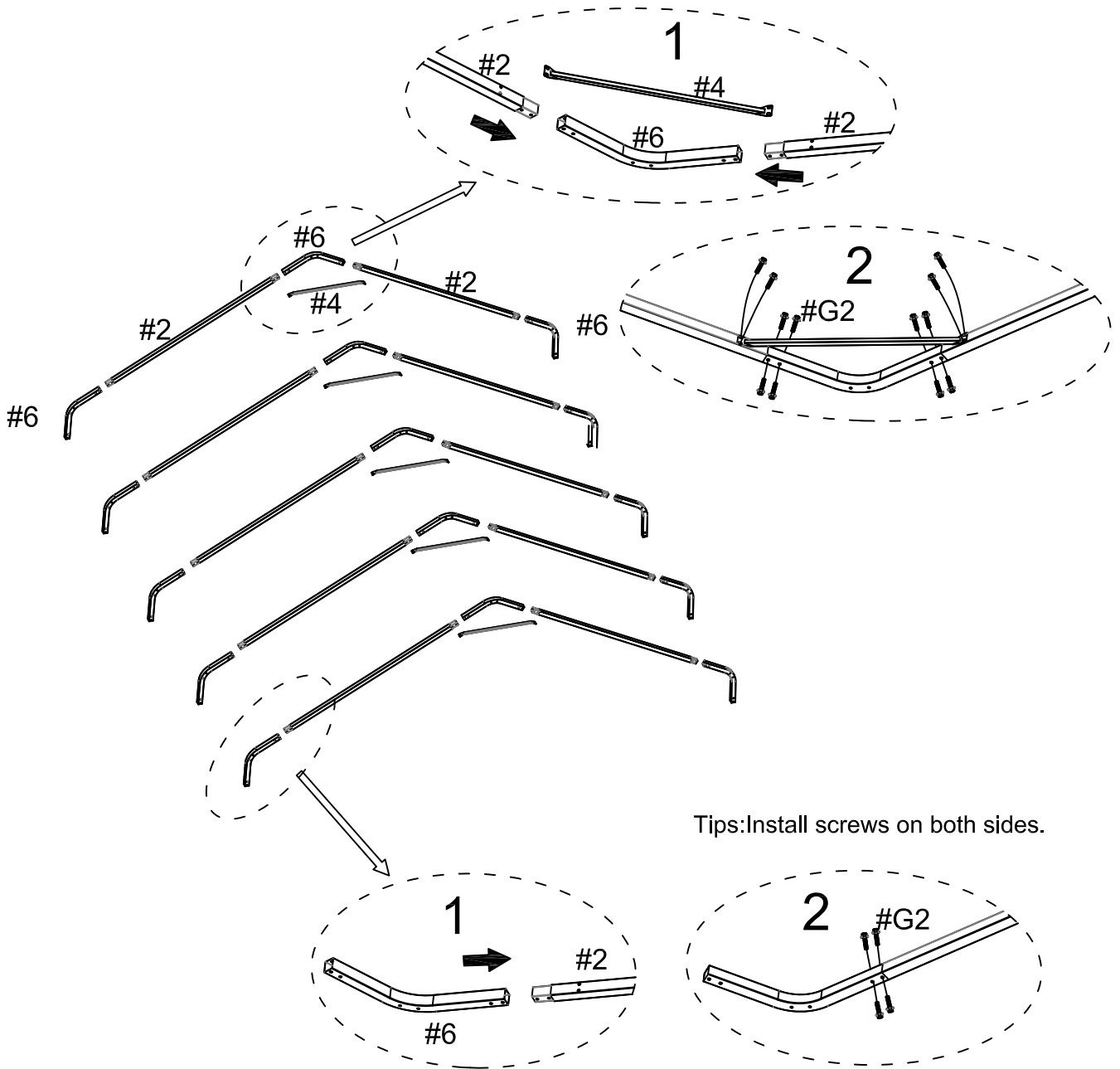
This carport is packed in Several boxes. Before the installation, please check the contents according to the part list. If there is any part missing or defective, please contact us immediately to get replacement partss

Part No.	Part Name	Drawing	Qty
#1	Side pole		12 PCS
#2	Straight peak pole		10 PCS
#3	Leg pole		10 PCS
#4	Top Reinforcing pole		9 PCS
#5	Ground bar 1		2 PCS
#5a	Ground bar 2		6 PCS
#6	Connector		15 PCS
#7	Ground Reinforcing pole		6 PCS
#8	Side-side defense pole		8 PCS
#9	Side plate		6 PCS
#R	Roof cover		52PCS
#G1	M5X20 Self-Tapping screws		160PCS
#G1a	M5X25 Self-Tapping screws		18 PCS
#G2	Socket head bolt		240PCS
#G3	Expansion screws		22 PCS
#G4	Socket head bolt & Nut		32 PCS
#L	Gloves		2 pairs
#Y1	Waterproof tape		4 PCS
#Y2	Anti-cut tape		12 M


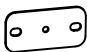

STEP 1: Assemble the Top Frame

#2		X10
#4		X5
#6		X15
#G2		X100

Notice:
The linking screws in this step are all: Socket Head Bolt (#G2)

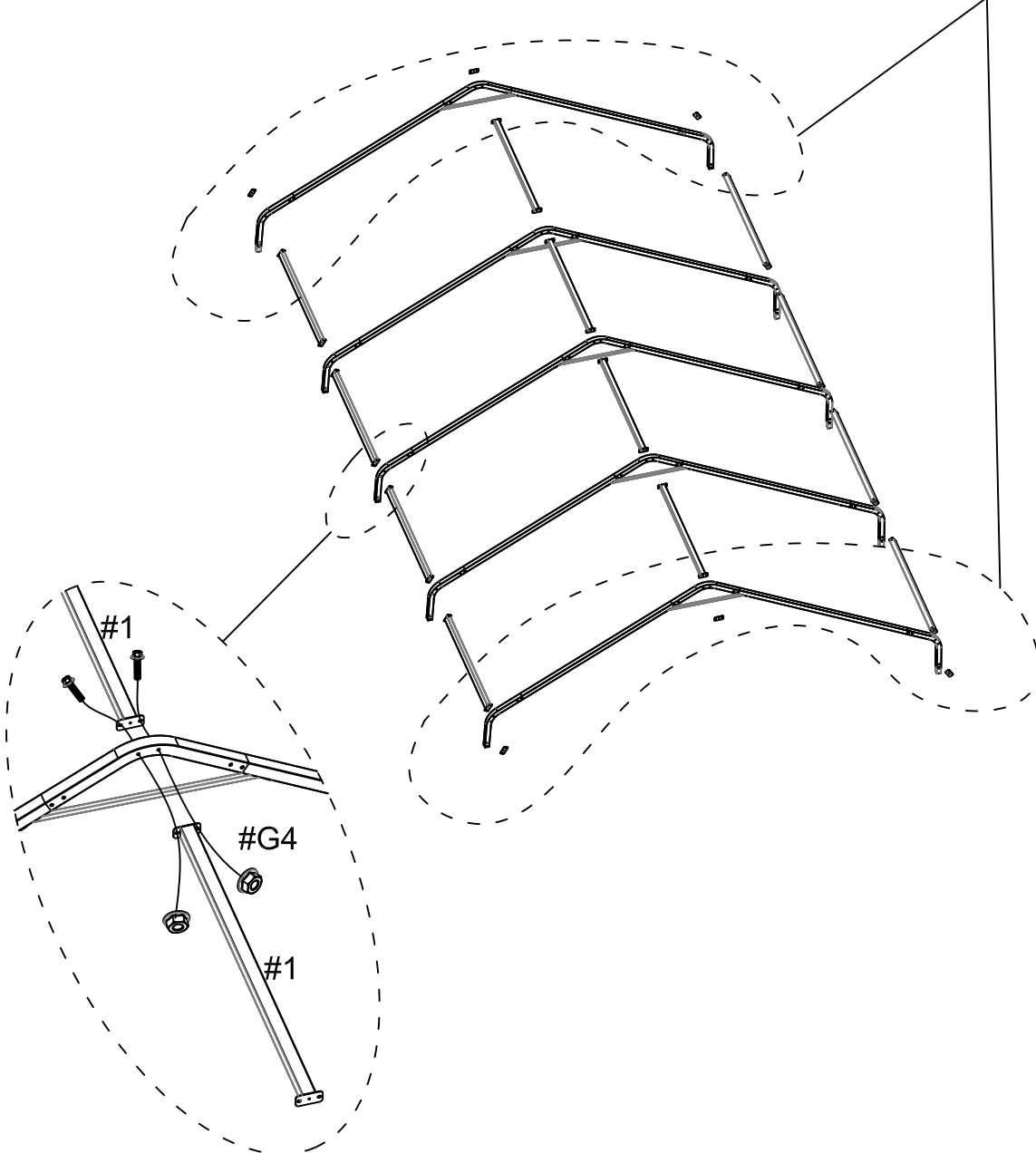
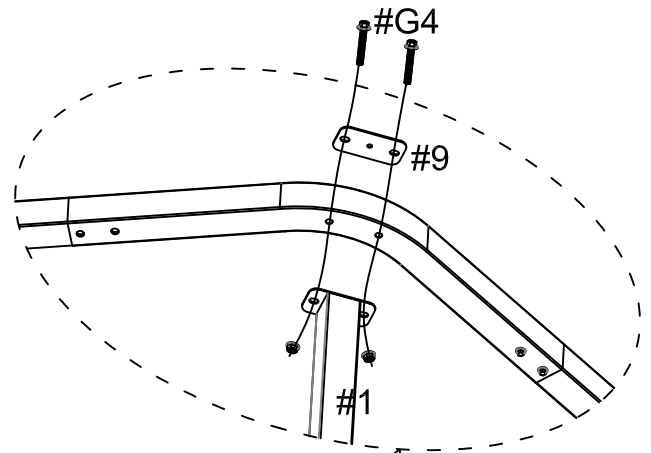


STEP 2:

#1		X12
#9		X6
#G4		X30

Notice:

The linking screws in this step are all: Socket Head Bolt (#G4)






STEP 3: Install the Top Roof

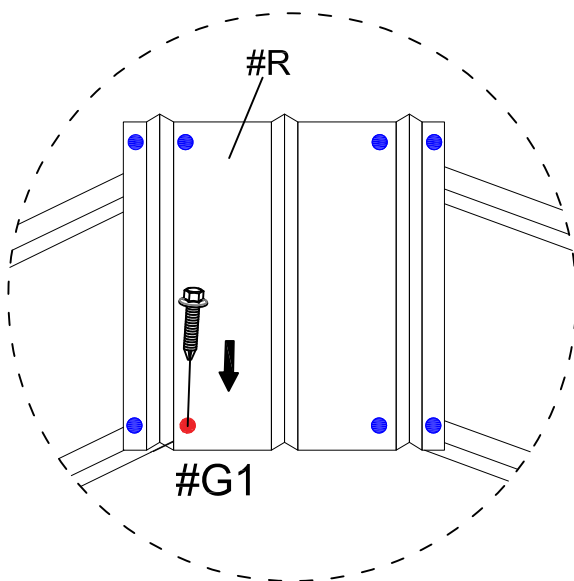
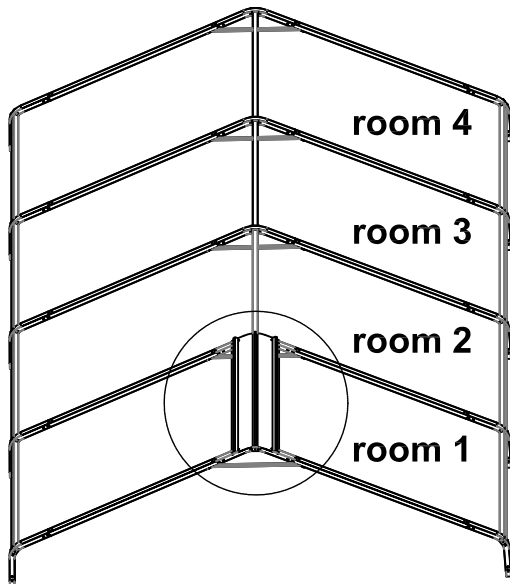
Install all the Roof Cover (#R) to the top frame. The linking screws in this step are all: Self-Tapping Screws (#G1), as shown in the picture.

Notice:

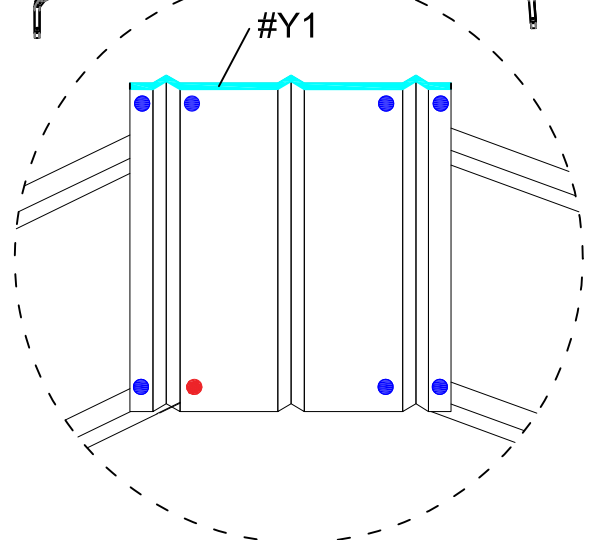
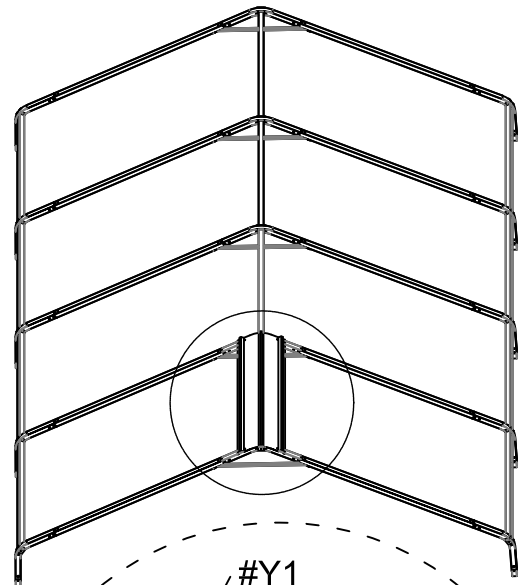
- Has 5 rooms, each single room corresponds to 15 Roof Covers (#R), 5 pieces of Roof Covers (#R) in a row, install the top 8 rows first.
- The meaning of different colored holes in the Roof Cover (#R):
 - Blue hole: no screws here right now.
 - Red hole: represents pre-installation (Do not tightened too much)
 - Black hole: normal installation.

1) Starting from the top middle of room 1 to room 4, install the first row of Roof Covers (#R).

#R		X1
#Y1		X5
#G1		X1



2) When installing each Roof Cover (#R), you need to use Waterproof Tape (#Y1) as shown in the picture.






Tips: Only install one red screw hole. (Do not tighten it too tightly, it will be removed later.)

STEP 4:

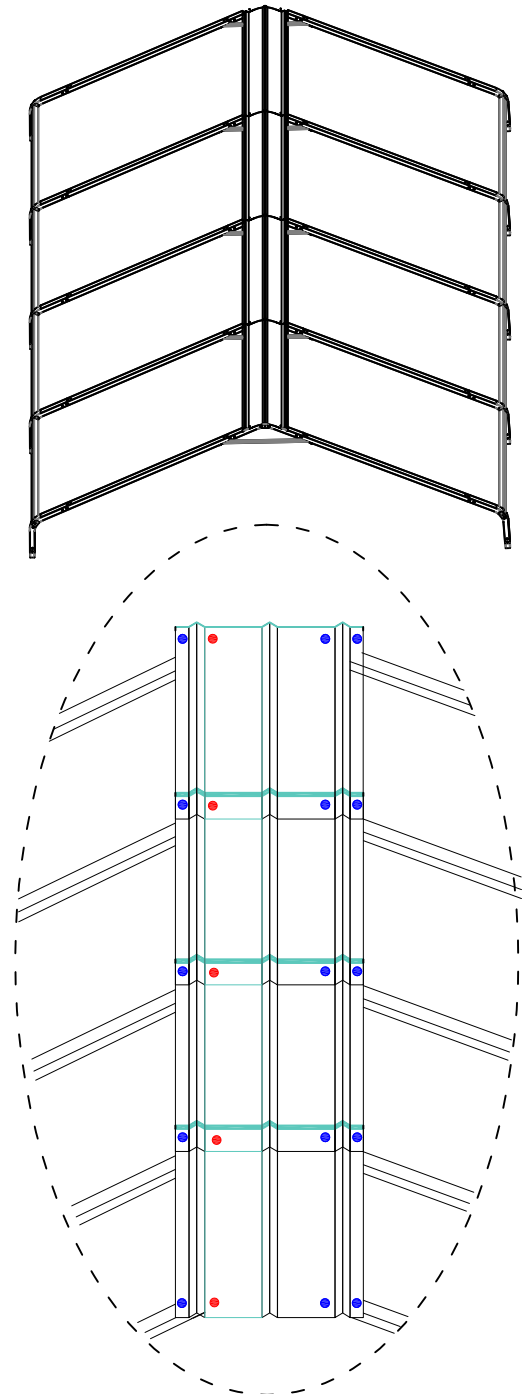
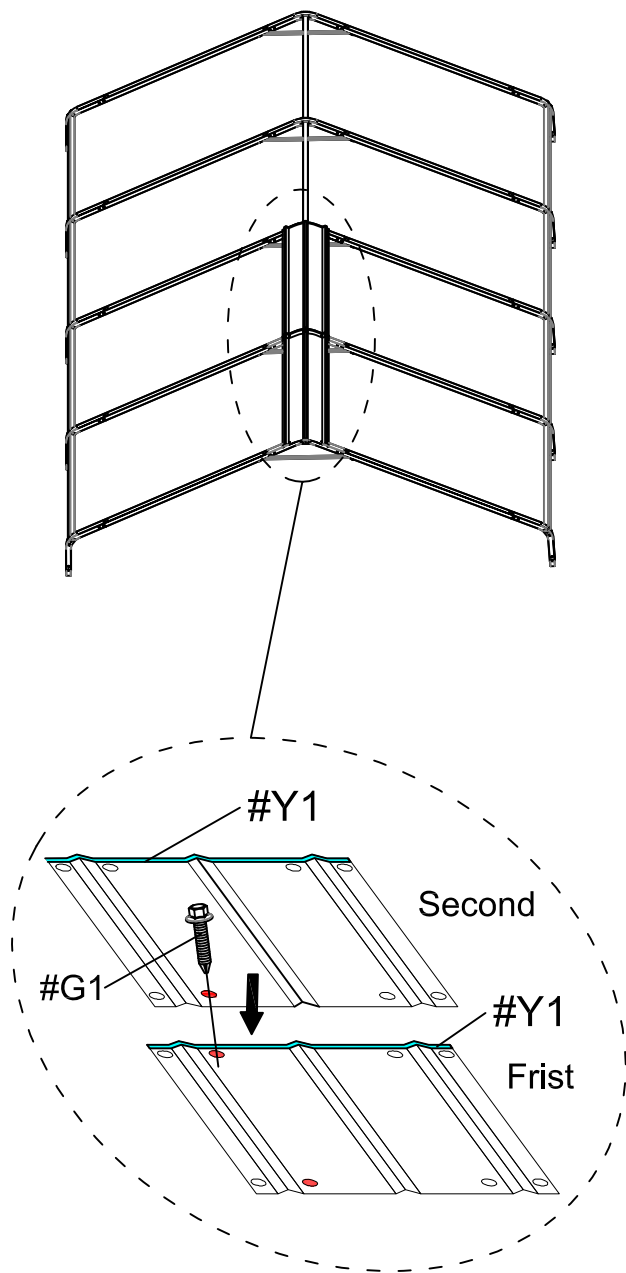
Notice:

1. Make sure that the screw holes are aligned, and then press the Waterproof Tape (#Y1)
2. Make sure there are no gaps between the two roof covers to prevent water leakage




#R		X3
#Y1		
#G1		X4

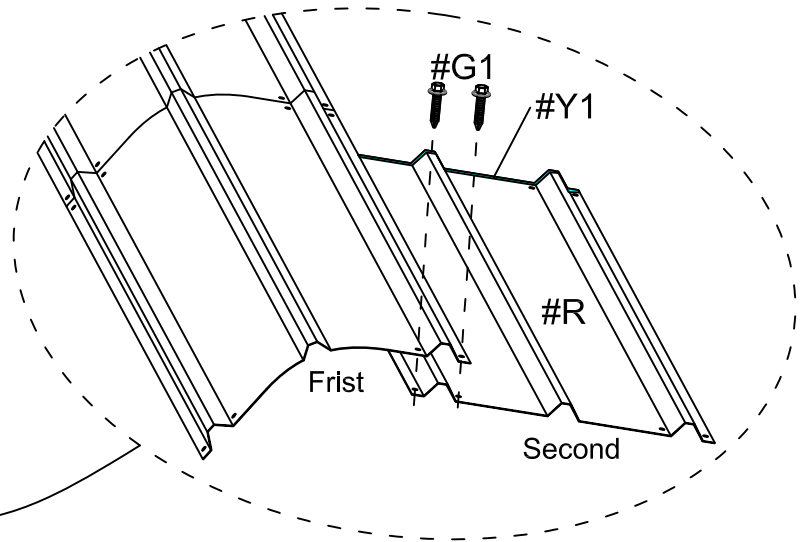
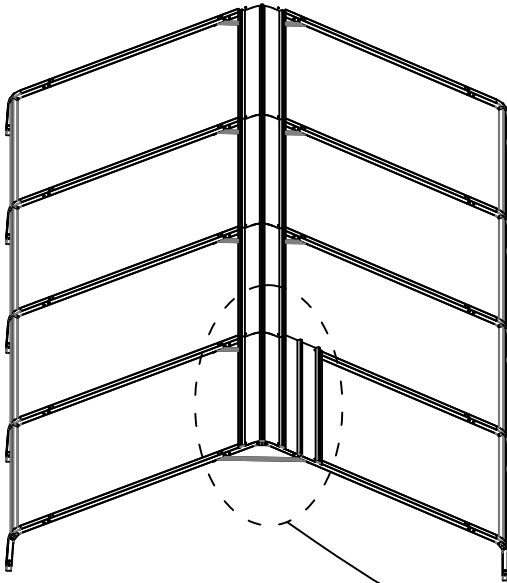
3.1) The second Roof Cover (#R) needs to be placed on the first Roof Cover (#R)

3.2) Follow the previous steps and continue to install the remaining Roof Cover (#R) in the middle row.

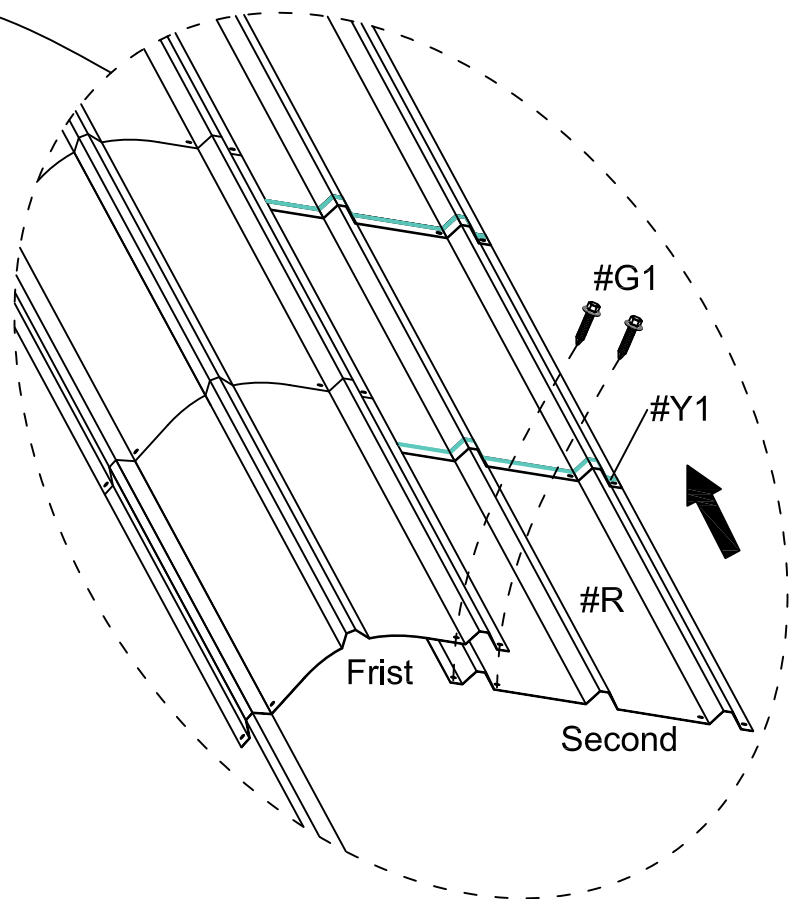
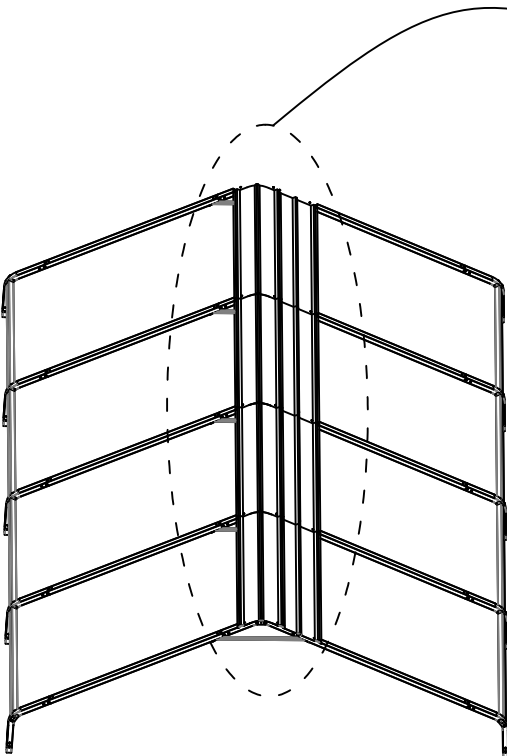


4.1) After installing the middle row, continue to install the 4 rows on the right. Each newly installed Roof Cover (#R) in a row needs to be placed below the Roof Cover (#R) in the previous row, as shown in the picture.




#R		X4
#Y1		
#G1		X10

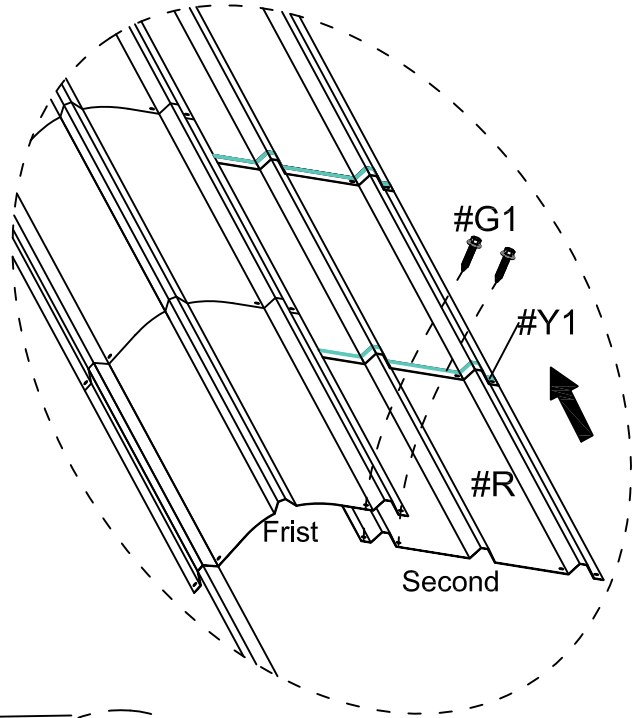
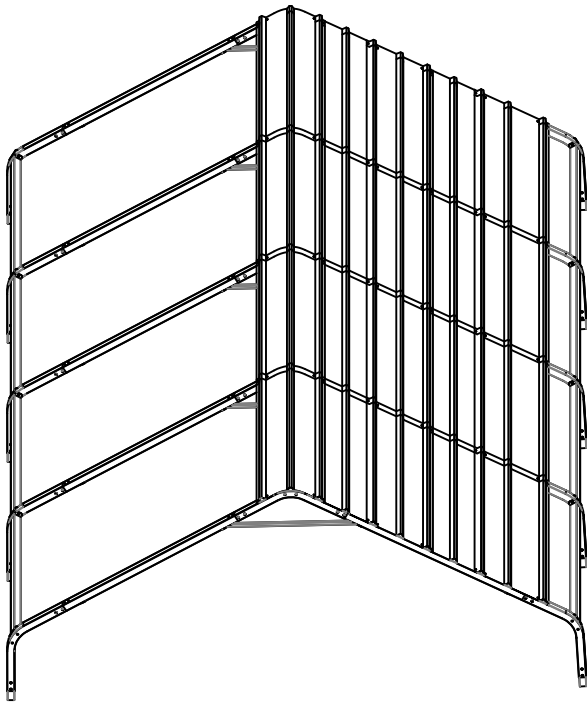


4.2) Same as the previous step, after pasting the Waterproof Tape(#Y1) of RoofCovers(#R), install the next Roof Covers(#R).

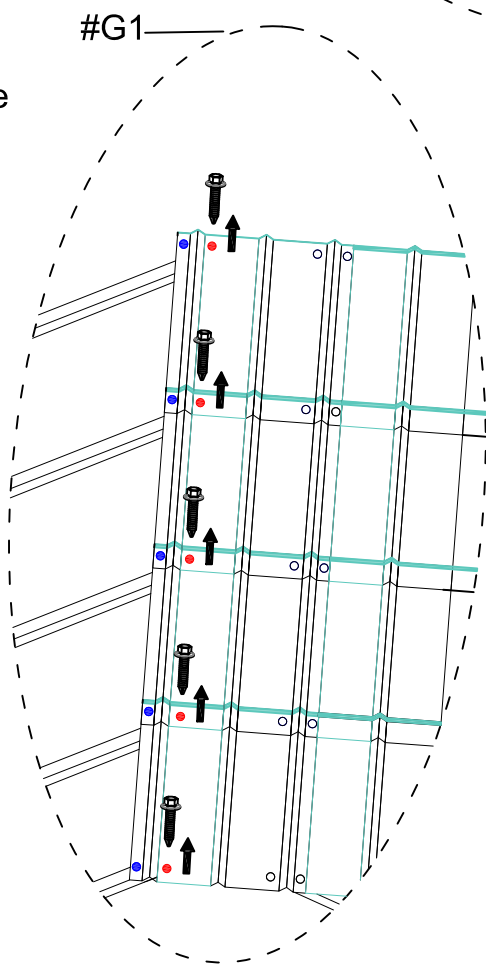


4.3) Follow the previous steps and continue to install the Roof Cover (#R) in the remaining 3 rows on the right.




#R		X12
#Y1		
#G1		X40

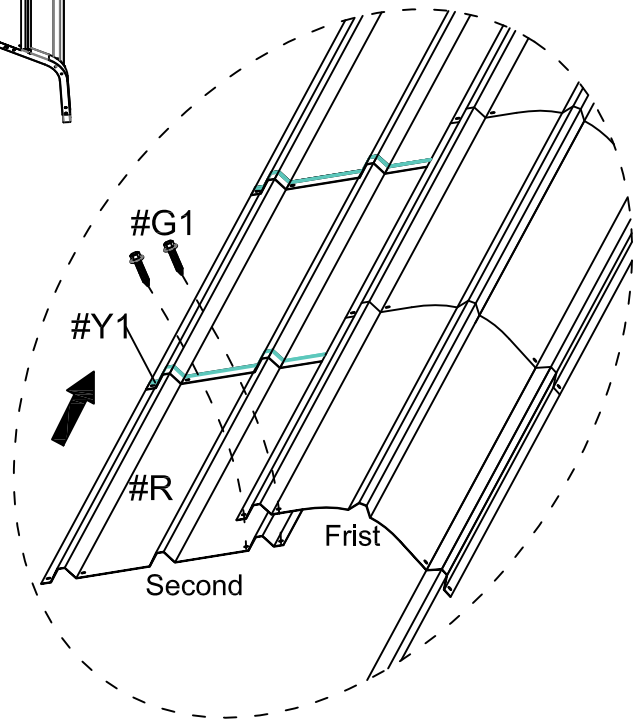
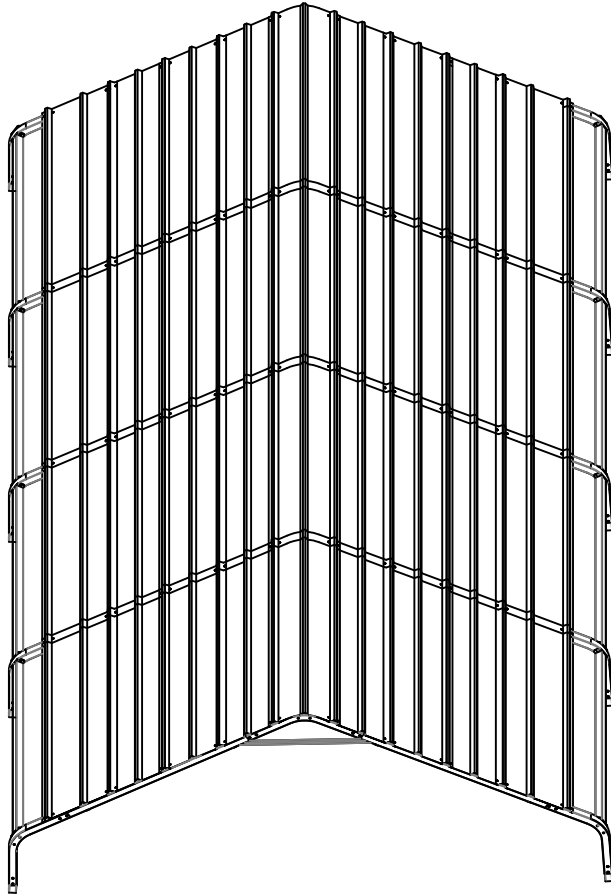


5.1) Continue to install the Roof Cover (#R) in the 7 rows on the left. Before installing the Roof Cover (#R), you need to remove the screws in the red screw holes.



5.2) Same as the installation steps for the 4 rows on the right, please complete the installation of Roof Cover(#R) of the 4 rows on the left.




#R		X20
#Y1		
#G1		X52

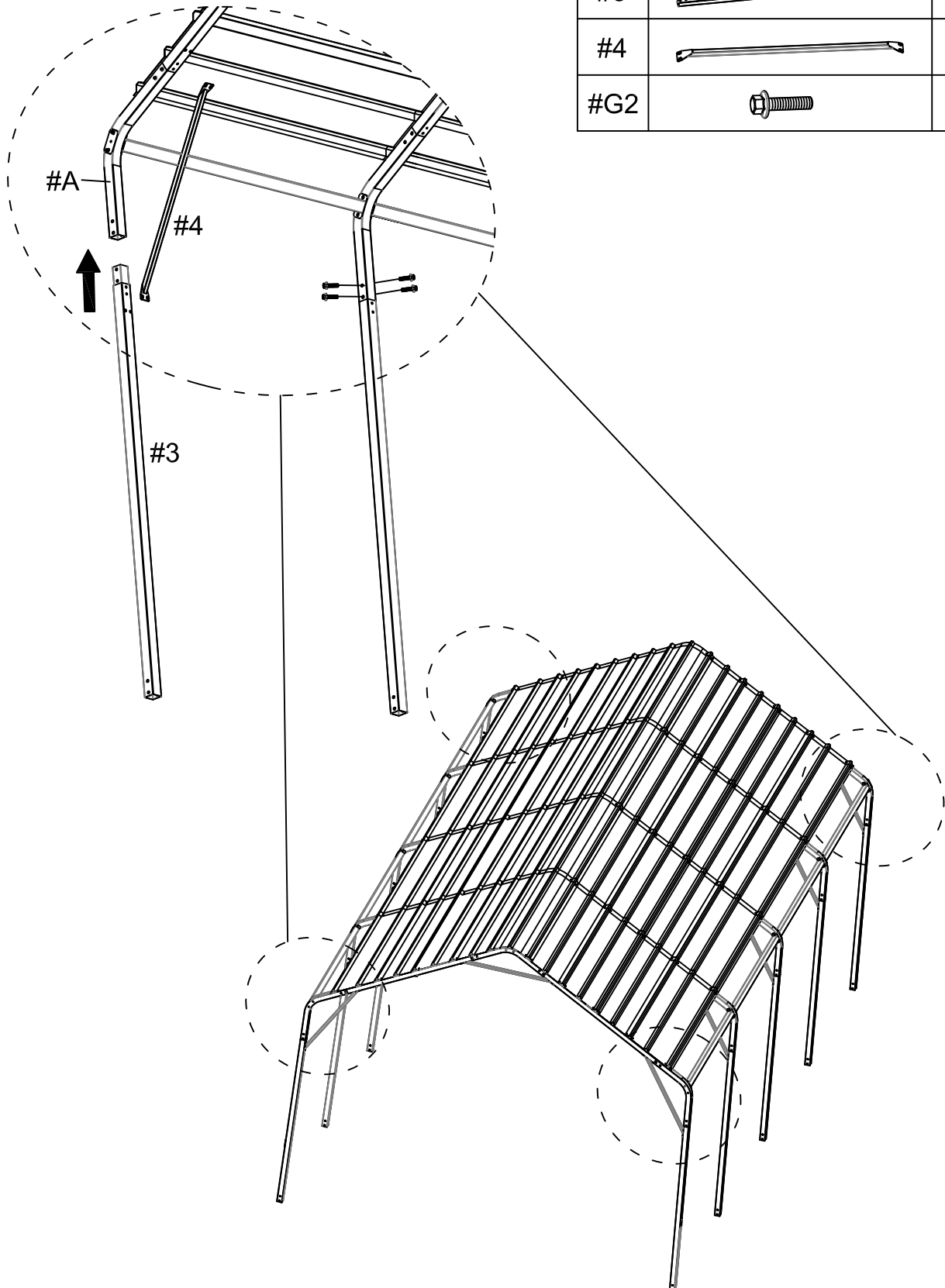


STEP 5: Connect Legs

1) Install Leg Pole(#3) and Top Reinforcing pole(#4) to the Connector(#A).



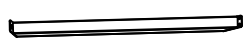

2) The linking screws in this step are all: Hex Head Cap Bolt (#G2) .

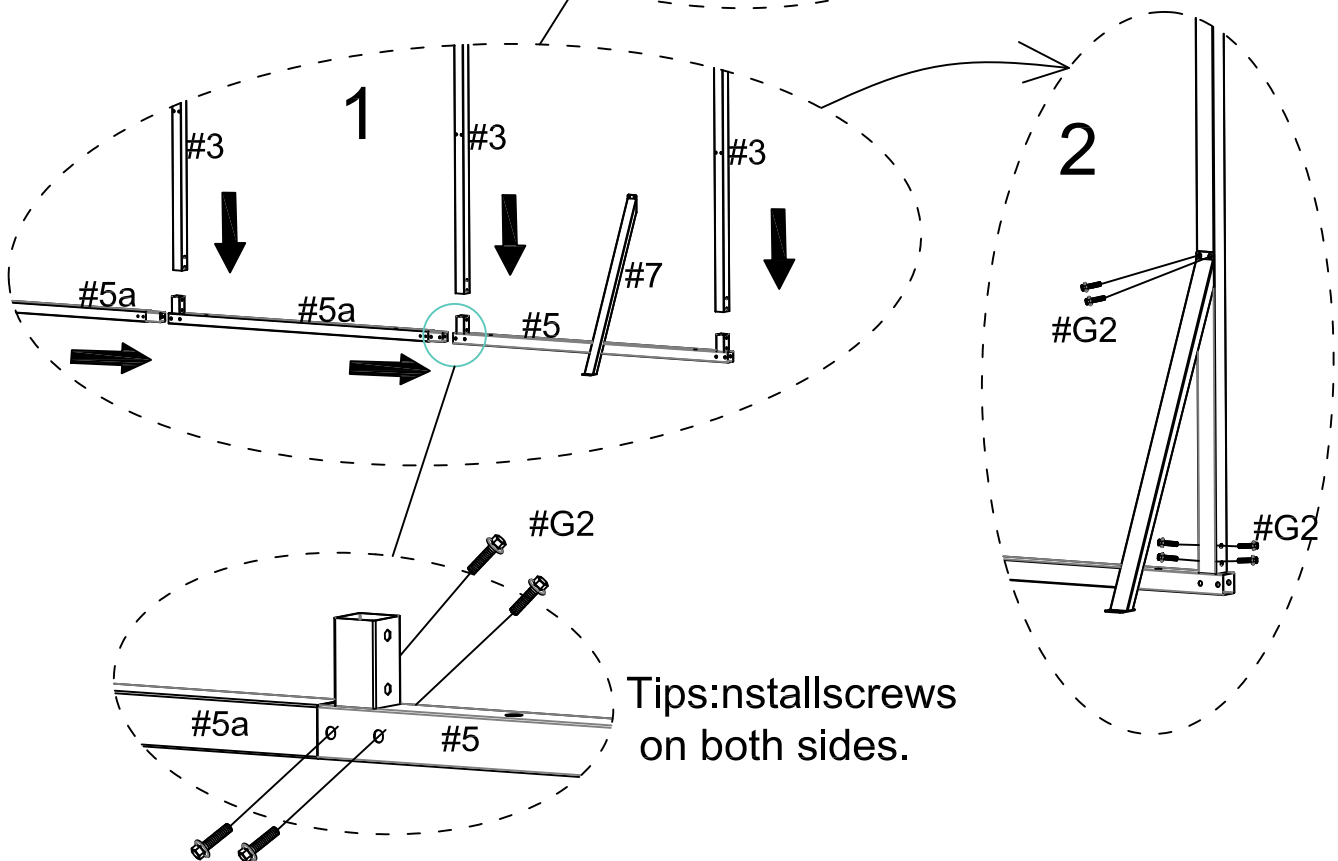
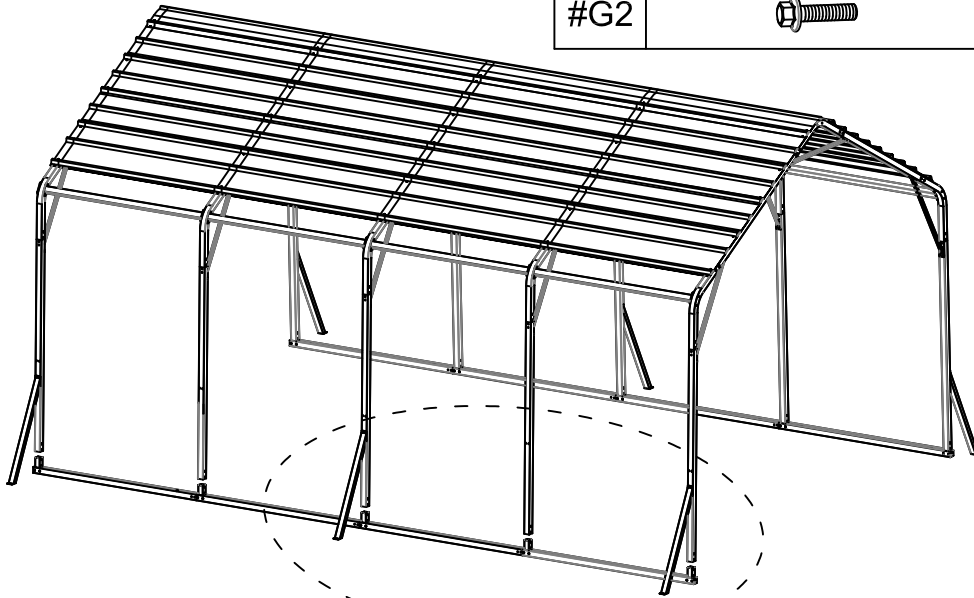
#3		X10
#4		X4
#G2		X52



STEP 6: Reinforce the Frame

- 1) Connect all the Leg Pole(#3) to Ground bar 1(#5) and Ground bar 2(#5a)
- 2) The linking screws in this step are all: Hex Head Cap Bolt (#G2) and Expansion screws (#G3).




#5		X2
#5a		X6
#7		X6
#G2		X84

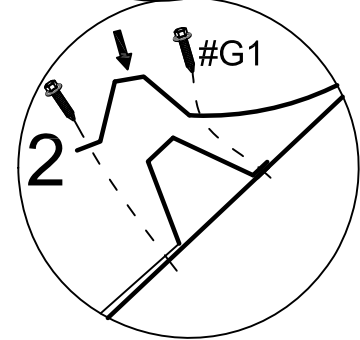
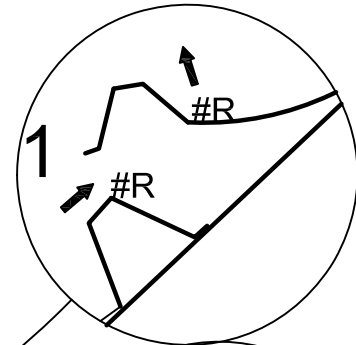
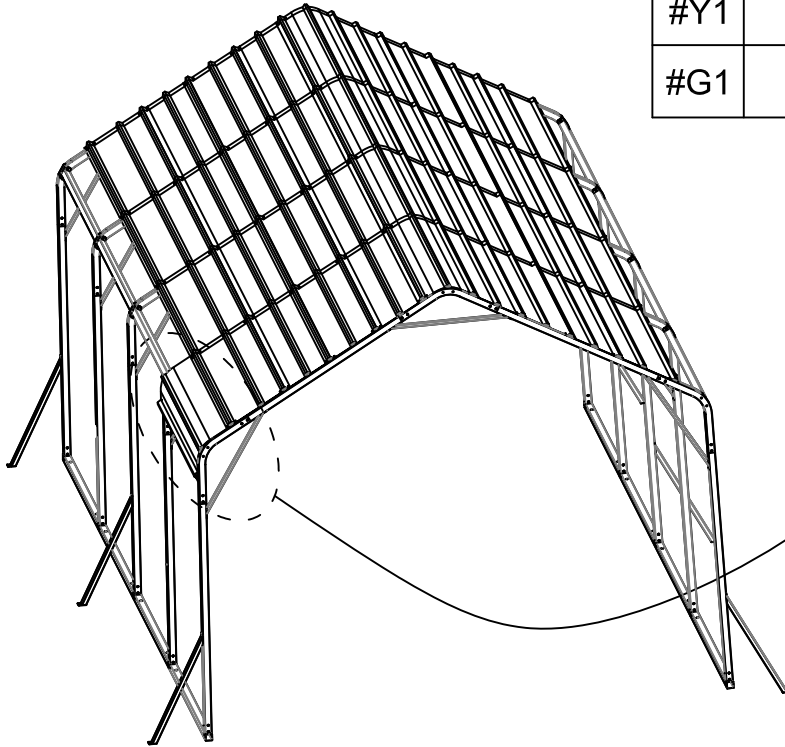


STEP 7: Install the Side Roof

After installing the Leg Pole(#3), continue to install the Roof Cover (#R) in the 5 rows on the left and right sides.

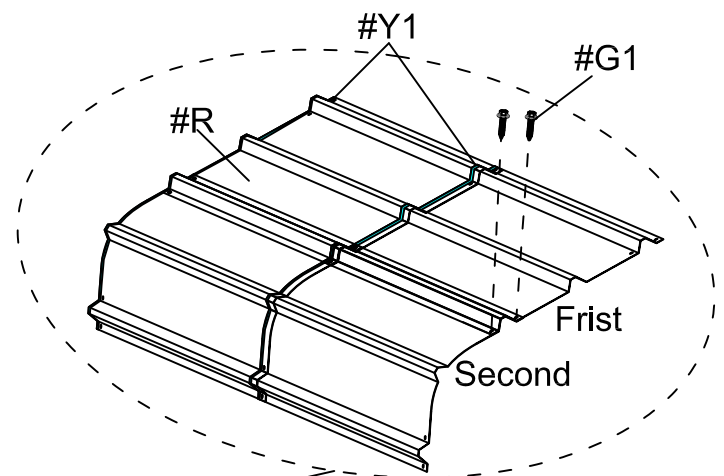
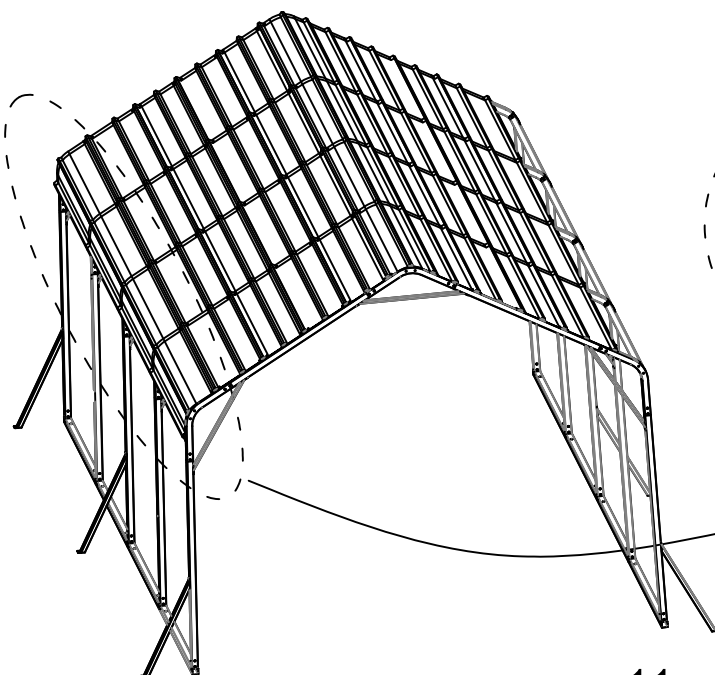
1) First install the Roof Cover (#R) in the left row, as shown in the picture.

#R		X4
#Y1		
#G1		X10






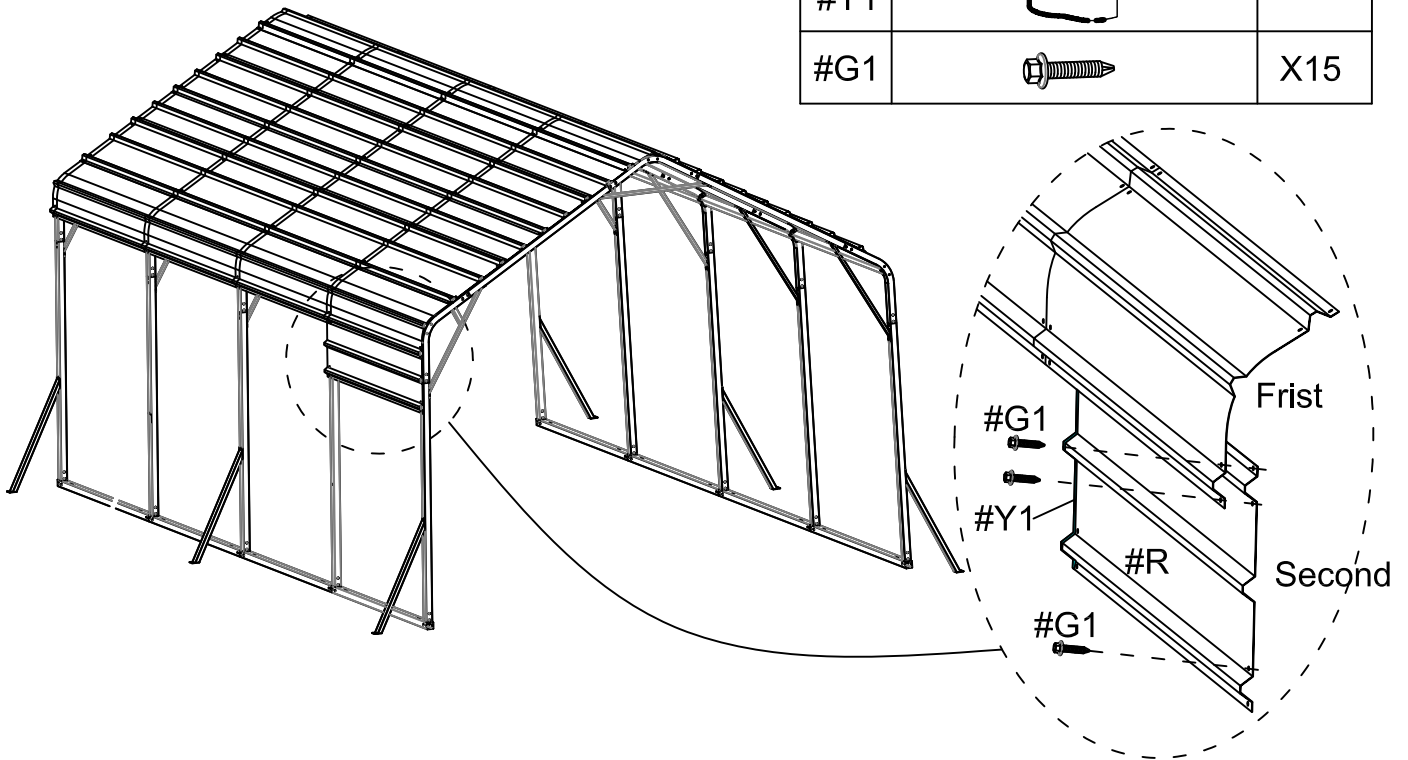
Notice:

1. Make sure that the screw holes are aligned, and then press the Waterproof Tape (#Y1)
2. Make sure there are no gaps between the two roof covers to prevent water leakage
3. The second Roof Cover (#R) needs to be placed on the first Roof Cover (#R)



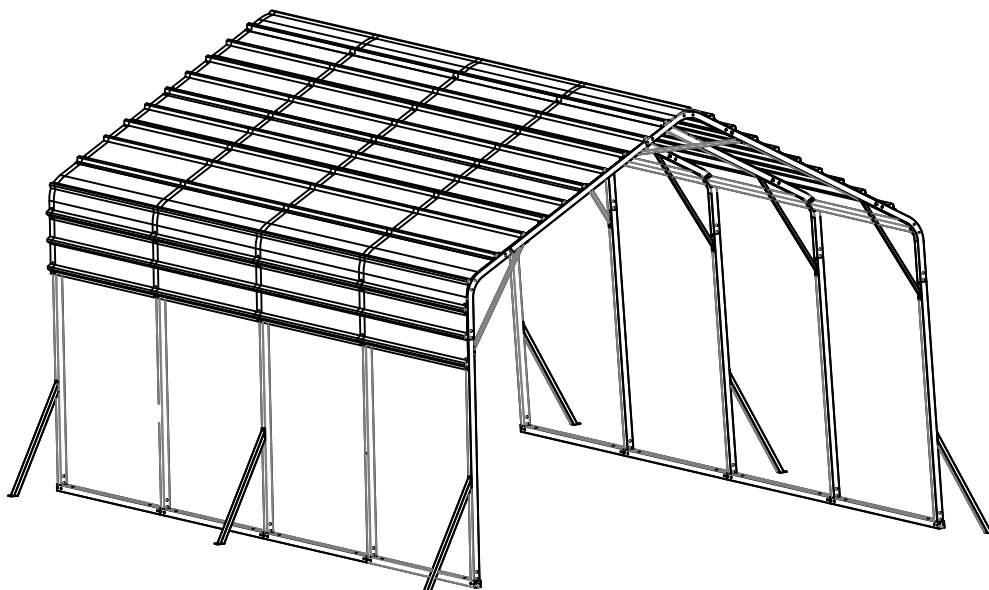
2) Continue to complete the Roof Cover (#R) installation in the last row on the left as shown in the picture.

#R		X4
#Y1		
#G1		X15







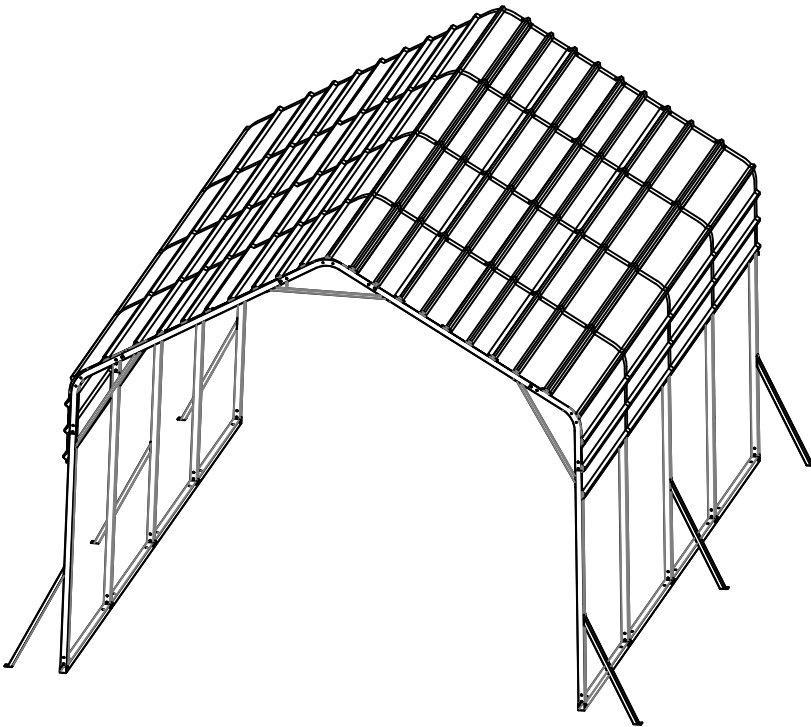
Notice:

1. Make sure that the screw holes are aligned, and then press the Waterproof Tape (#Y1)
2. Make sure there are no gaps between the two roof covers to prevent water leakage
3. The second Roof Cover (#R) needs to be placed on the first Roof Cover (#R)



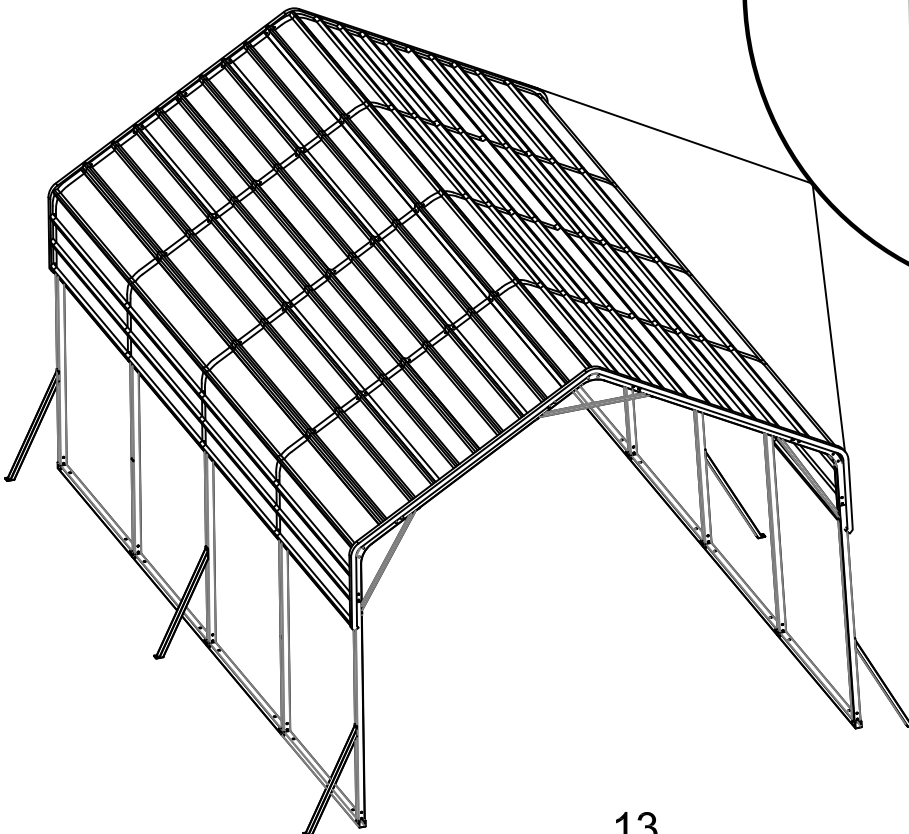
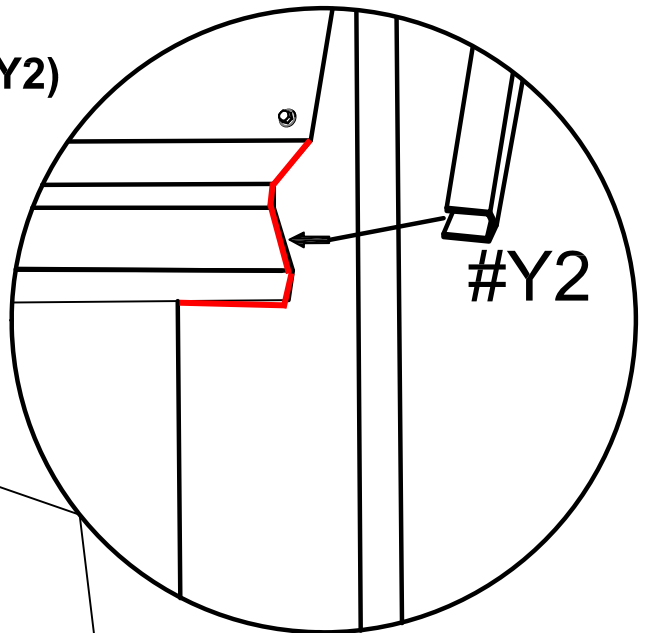
3) Follow the previous steps and continue to install the Roof Cover (#R) in the remaining 2 rows on the right.

#R		X8
#Y1		
#G1		X25
#Y2		



STEP 7: Install the Anti-cut Tape (#Y2)



Wrap the Anti-cut Tape (#Y2) around the outer edge of the Roof Covers(#R).

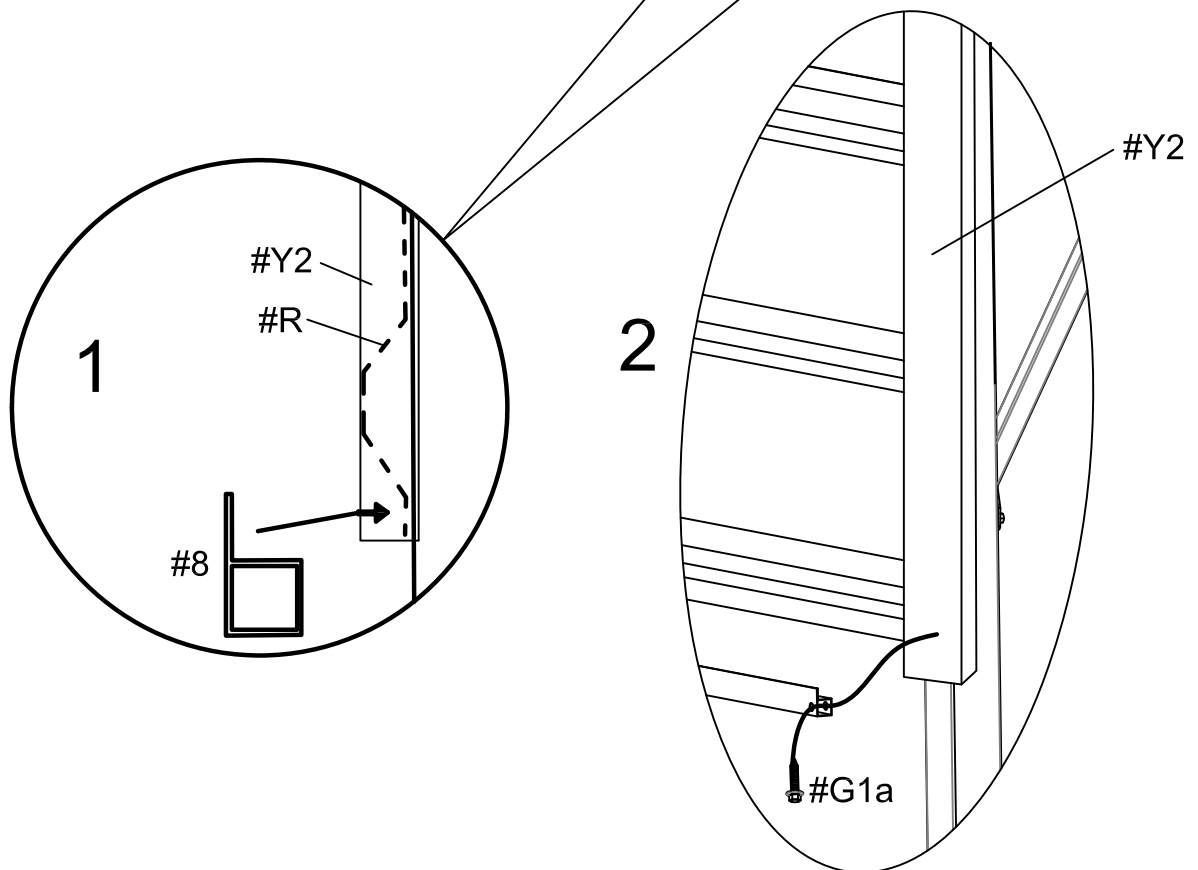
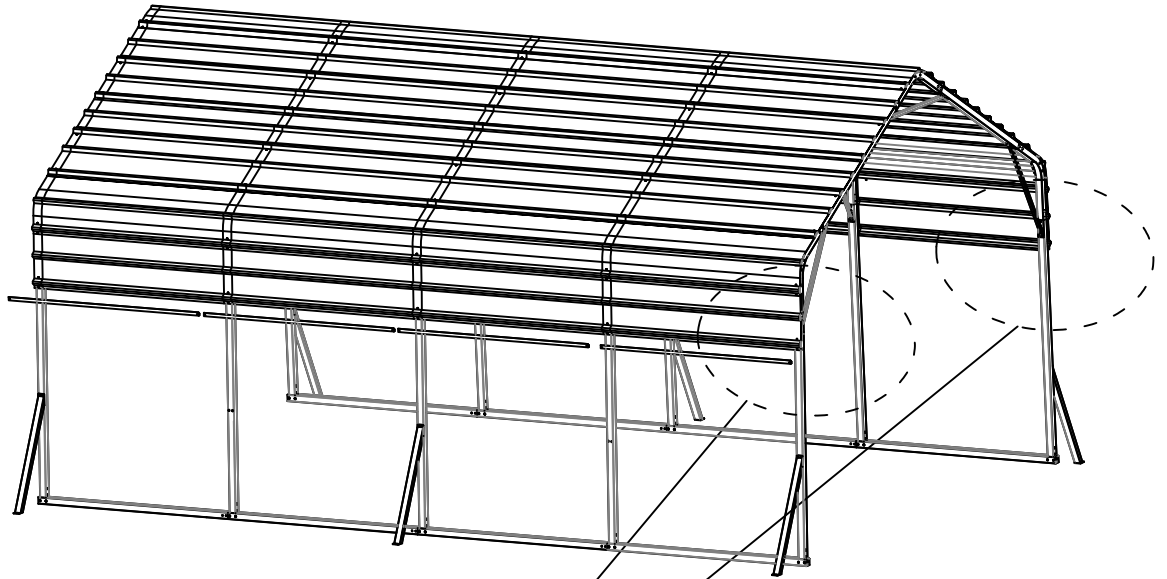


Notice:
Be careful not to start from the 4 corners when wrapping the tape. Right angles are sharp and need to be avoided.

STEP 9: Side-side defense pole

After installing I the Roof Cover (#R).on the left and right sides.
3) Install the Side-side defense pole(#8) in the left and right row,
as shown in the picture.

#8		X8
#G1a		X16



STEP 10: Anchor the Carport

Install the Anchor the Carport on the ground.

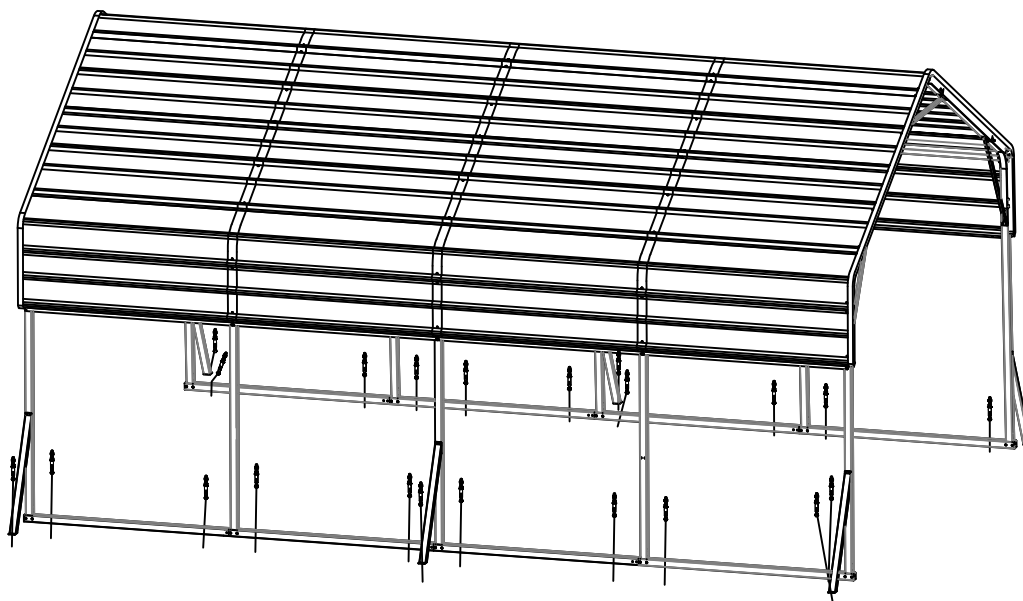
Notice:

The linking screws in this step are all: Expansion screws

#G3



X22



#G3

