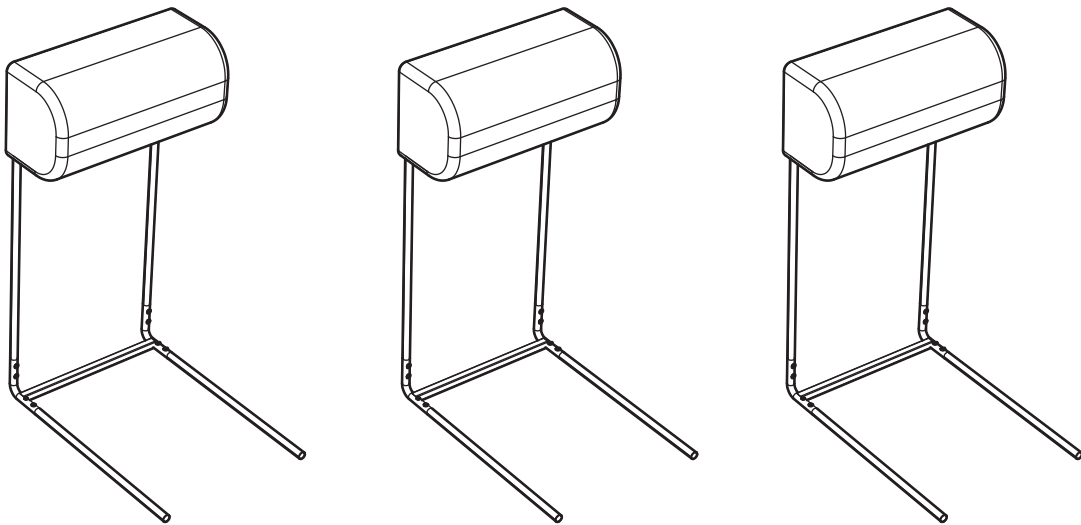


Installation Instruction

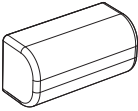






Detachable Headrest



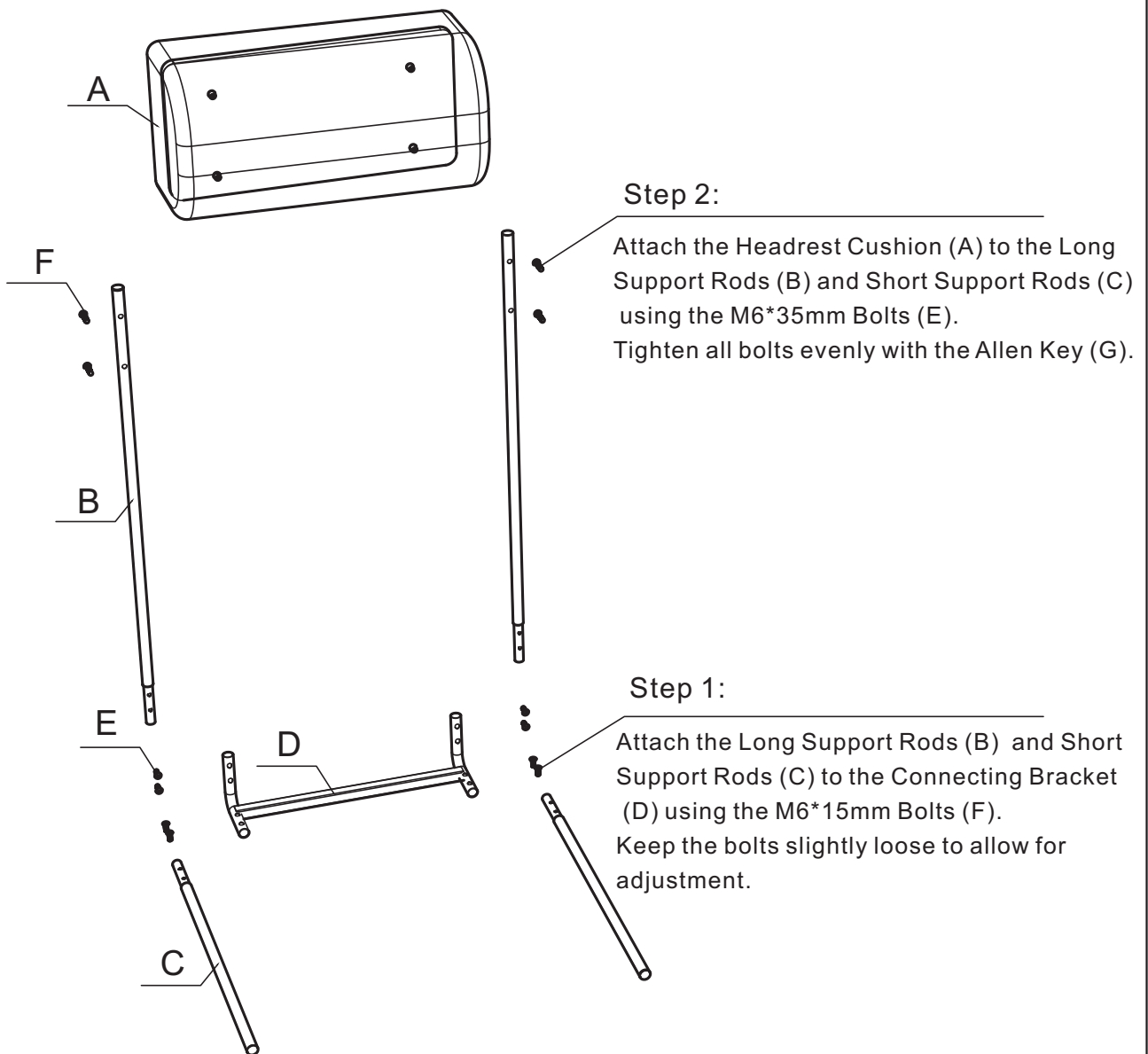
▲ NOTES:

- Our upper headrest cushion are vacuum packed for convenient shipping. Please allow 2-3 days for them to fully expand to their original shape and for any wrinkles to disappear.
- If any parts are damaged or missing, please contact us first so we can provide further assistance.
- To contact us: Go to Your Orders → select this item → Get help → Contact seller

PART LIST

- | | | | | |
|---|--|---|---|---|
| <p>A Headrest Cushion</p>  <p>3PCS</p> | <p>B Long Support Rod</p>  <p>6PCS</p> | <p>C Short Support Rod</p>  <p>6PCS</p> | <p>D Connecting Bracket</p>  <p>3PC</p> | <p>E M6 * 15mm Bolt</p>  <p>24PCS+1PC</p> |
| <p>F M6 * 35mm Bolt</p>  <p>12PCS+1PC</p> | <p>G Allen Key</p>  <p>1PC</p> | | | |

ASSEMBLY INSTRUCTIONS



Tip:

- Repeat the same steps for the remaining headrests.
- Identify bolt and rod lengths before assembly to avoid using the wrong parts.

INSTRUCTIONS FOR USE

Place the headrest brackets underneath the sofa base, press them down firmly so the sofa's weight secures them, and space the headrests evenly for comfortable use.

