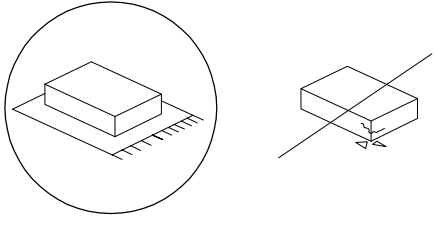

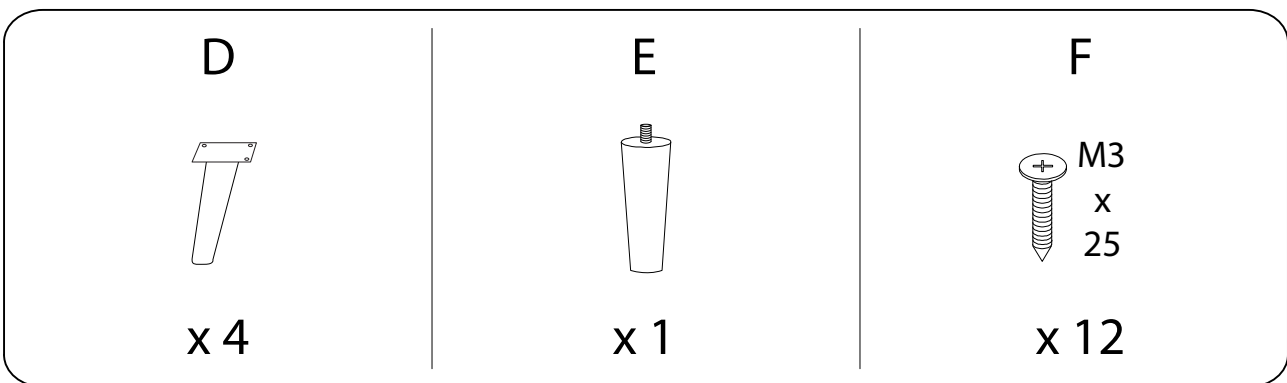
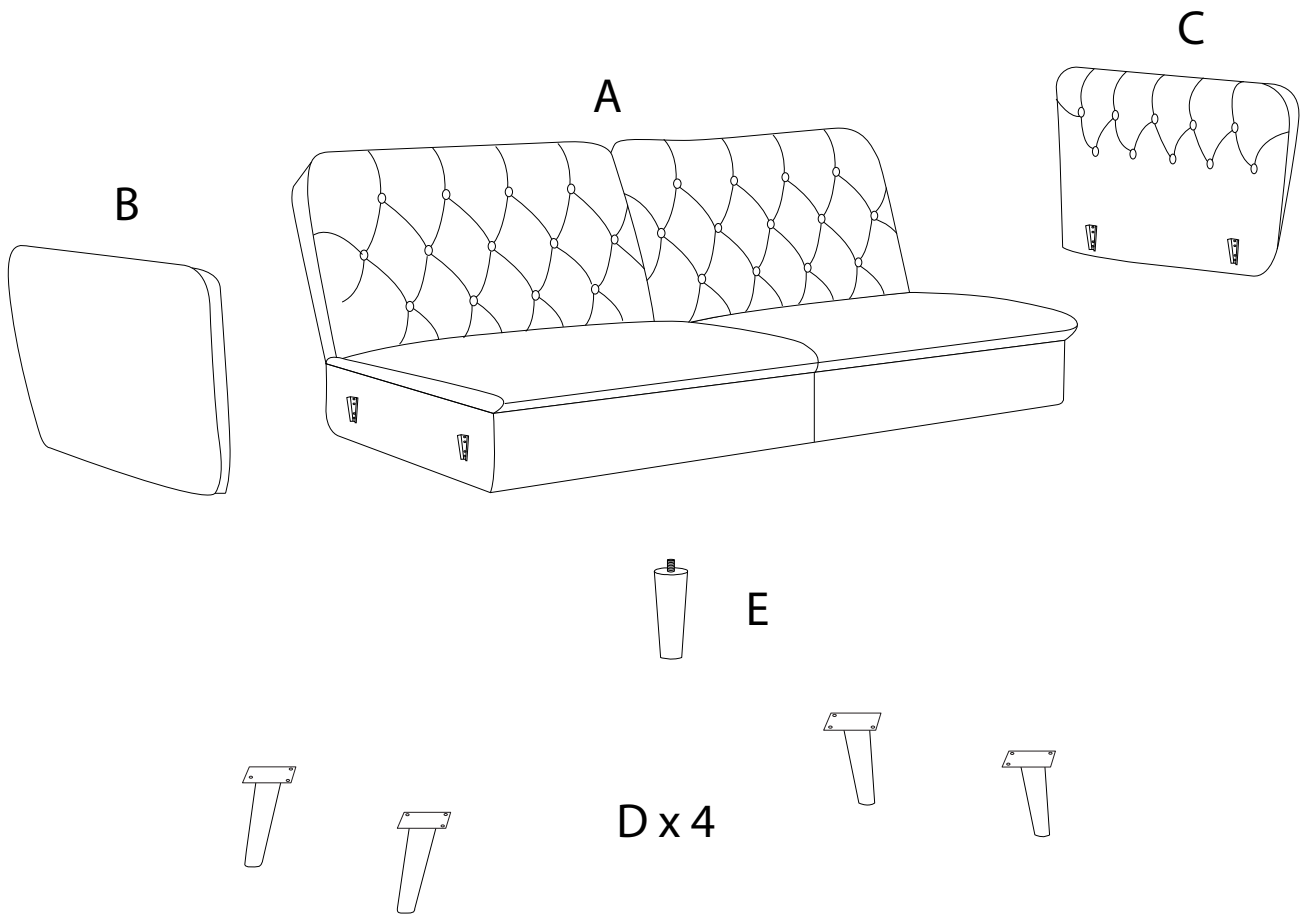
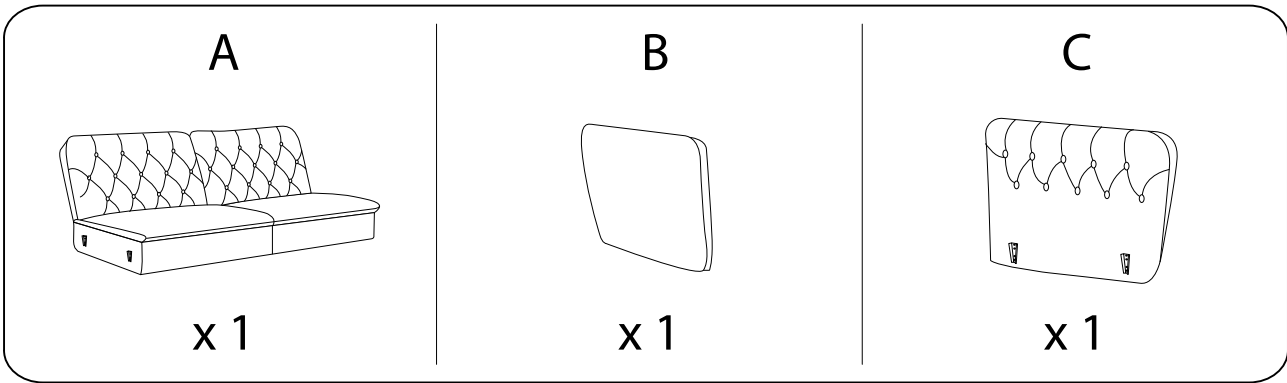
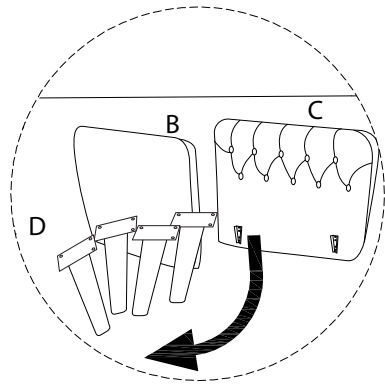
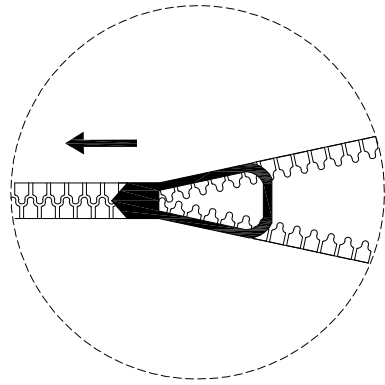
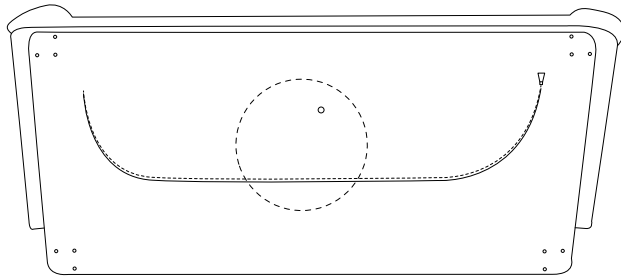
	20'
		
		1



!

A



1

A



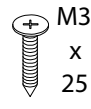
x 1

D

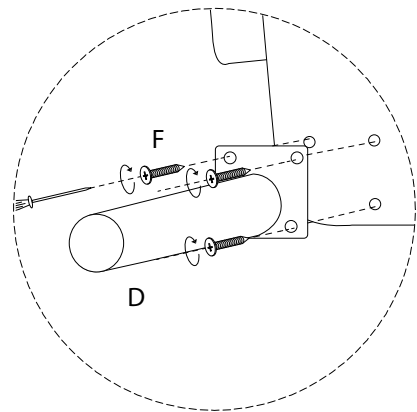
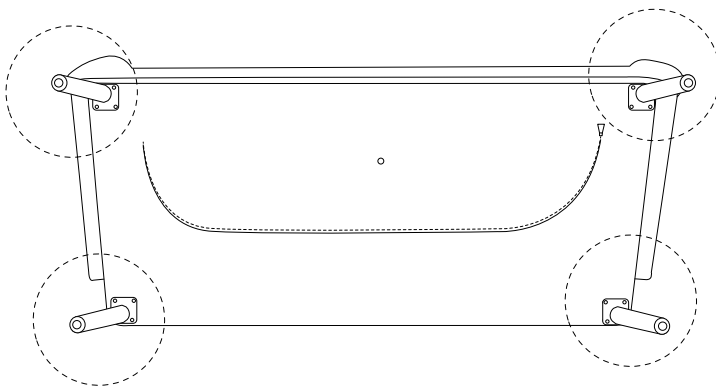


x 4

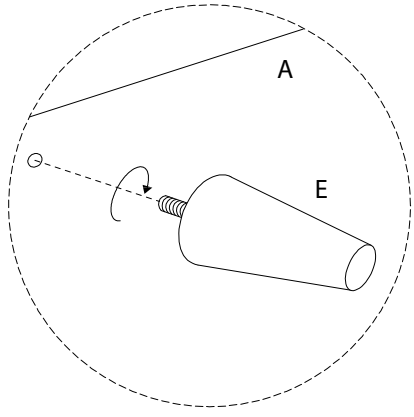
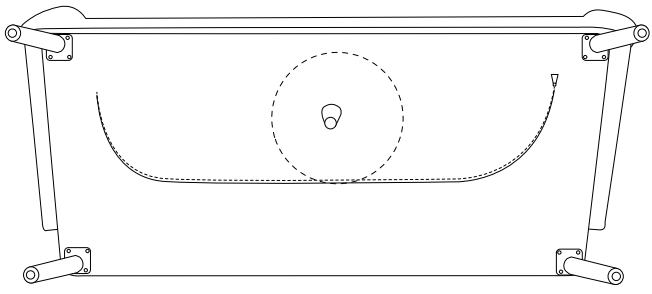
F



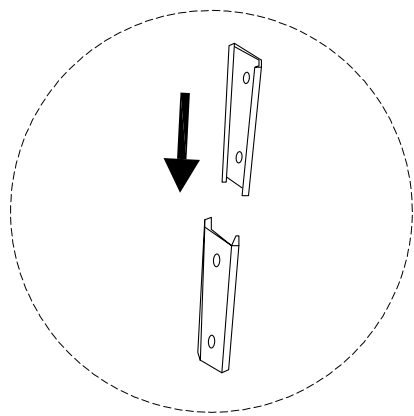
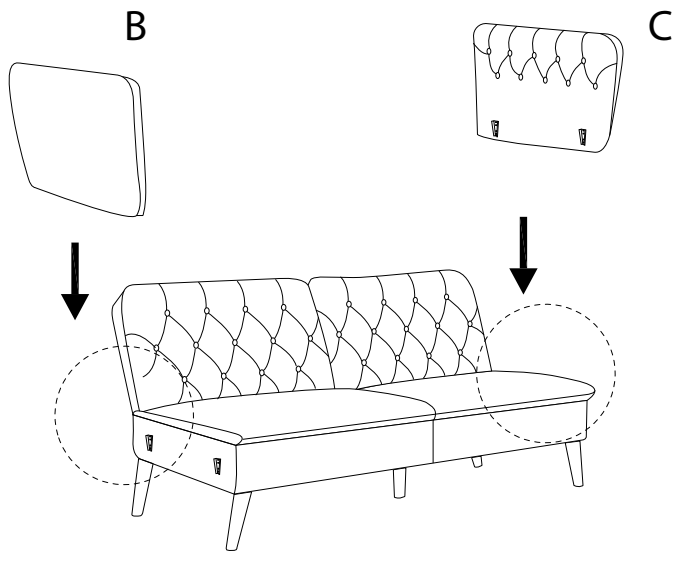
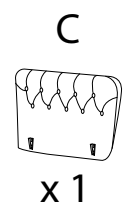
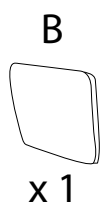
x 12



2



3



!

