

V2600/V2601

Installation Manual

•Thank you for choosing our products. Please read the instructions carefully before installation and keep it available for future maintenance or reference.

Content

Introduction

Important safeguards	01
Technical specification	03
List of packing	04
Parts identification	05

Operation

Installation instructions	06
1.Installation dimension	
2.Installation of mounting plate	
3.Installation and disassembly of main unit	
4.Connecting the water supply pipe	
Usage instruction	08
1.Checking the power and water supply	
2.Function illustration of keys in main unit and actuator	
Daily maintenance	10
1.Main unit maintenance	
2.Spray nozzle maintenance	
3.Inlet filter cleaning	
4.Tank anti-freezing and anti-bacterial maintenance	
Troubleshooting Guide	12

IMPORTANT SAFEGUARDS

When using electrical products, especially when children are present, basic safety precautions should always be followed, including the following:

- 1.The appliance is not to be used by persons (including children) with reduced physical, sensory or mental capabilities, or lack of experience and knowledge, unless they have been given supervision or instruction.
- 2.Children being supervised not to play with the appliance.
- 3.This appliance can be used by children aged from 8 years and above and persons with reduced physical, sensory or mental capabilities or lack of experience and knowledge if they have been given supervision or instruction concerning use of the appliance in a safe way and understand the hazards involved.
- 4.Children shall not play with the appliance.
- 5.Cleaning and user maintenance shall not be made by children without supervision.

READ ALL INSTRUCTIONS BEFORE USING



DANGER—To reduce the risk of electrocution:

1. Do not use while bathing.
2. Do not place or store product where it can fall or be pulled into a tub or sink.
3. Do not place in or drop into water or other liquid.
4. Do not reach for a product that has fallen into water. Unplug immediately.
5. Do not wash the main unit or electrical plug with water or detergent.
6. Do not handle the electrical plug with wet hands.
7. Do not put a hand or other staff over the outlet of air dryer or block the outlet of air dryer.
8. Never disassemble, repair or modify this product.
9. During installation, disassembly, repair and maintenance of the product, the power plug must be switched off and water supply be shut off.



WARNING—To reduce the risk of burns, electrocution, fire, or injury to persons.

1. Close supervision is necessary when this product is used by, on, or near children or invalids.
2. Use this product only for its intended use as described in this manual. Do not use attachments not recommended by the manufacturer.
3. Never operate this product if it has a damaged cord or plug, if it is not working properly, if it has been dropped or damaged, or dropped into water. Return the product to a service center for examination and repair.
4. Keep the cord away from heated surfaces.
5. Never use while sleeping or drowsy.
6. Never drop or insert any object into any opening or hose.
7. Do not use outdoors or operate where aerosol (spray) products are being used or where oxygen is being administered.
8. Connect this product to a properly grounded outlet only. See Grounding Instructions.
9. Do not throw cigarettes and other burning stuff into toilet, otherwise it might cause fire.
10. This product is electric appliance, so it must be placed far away from water. Please don't drench urine and other liquid to it.
11. Do not lay on side or upside the product during the electrical circuit.
12. It is prohibited to use other electric appliances in the same socket.
13. It is forbidden to use the power extension or unstable loose outlet.
14. The old aging water supply hose can not be used, otherwise it might cause leakage, fire or electrical shock. Installation of the bidet seat should include specified components and new water supply hose.

IMPORTANT SAFETY INSTRUCTIONS



CAUTION—Indicates that failure to follow the instruction may cause body injury or property damage.

1. Do not install or use the product in wet places as steam room etc.
2. It is recommended to use water-proof electrical outlet which should be installed in the place where is not easily got wet.
3. This product should be used with 110V-120V,50/60Hz electrical current only,load current is at least 15A. Power plug must be equipped with ground fault circuit interrupter or ground fault electrical leakage protector or similar high sensitive, rapid type leakage switch (Rated sensitive current under 6mA).
4. When it thunders,it is strongly recommended to pull out the power plug.
5. Do not stand on ceramic toilet.
6. Ceramic toilet must install floor fixing bolt.
7. Do not stand on product unit,seat and cover.
8. Do not lean against the seat cover when using the product,to avoid damage.
9. This product is equipped with soft-closing seal cover.Heavy pressing or pushing may damage the soft-closing damper.
10. Do not use lacquer thinner,petrol,liquid medicine,detergent,insecticide,toilet cleanser and scrubbing brush to clean the product.
- 11.Exposure to direct sunlight is prohibited.
- 12.Only use tap water or potable water;otherwise it may cause chafing.
- 13.Do not connect water supply to heater outlet.Make sure inlet water temperature at 3~35 °C .
- 14.When the room temperature is under zero degree,please dry up the water tank,to avoid freezing.
- 15.Raise rest room temperature to prevent the toilet from damage due to freezing.
- 16.When move the product from cold or wet environment into normal room temperature,wait for 2 hours until the condensation water is fully volatilized.Doing so can prevent the product from electrical short-circuit.
- 17.When not using the product over three(3) days,drain the water out of the container and pull the electrical plug from the wall outlet.
- 18.Stop using the product and shut off the power when product malfunctions,please contact the service people for professional service.

GROUNDING INSTRUCTIONS

This product should be grounded. In the event of an electrical short circuit, grounding reduces the risk of electric shock by providing an escape wire for the electric current. This product is equipped with a cord having a grounding wire with a grounding plug. The plug must be plugged into an outlet that is properly installed and grounded.



DANGER — Improper use of the grounding plug can result in a risk of electric shock.

If repair or replacement of the cord or plug is necessary, do not connect the grounding wire to either flat blade terminal. The wire with insulation having an outer surface that is green with or without yellow stripes is the grounding wire.

This product is factory equipped with a specific electric cord and plug to permit connection to a proper electric circuit. Make sure that the product is connected to an outlet having the same configuration as the plug. No adapter should be used with this product. Do not modify the plug provided — if it will not fit the outlet, have the proper outlet installed by a qualified electrician. If the product must be reconnected for use on a different type of electric circuit, the reconnection should be made by qualified service personnel.

SAVE THESE INSTRUCTIONS

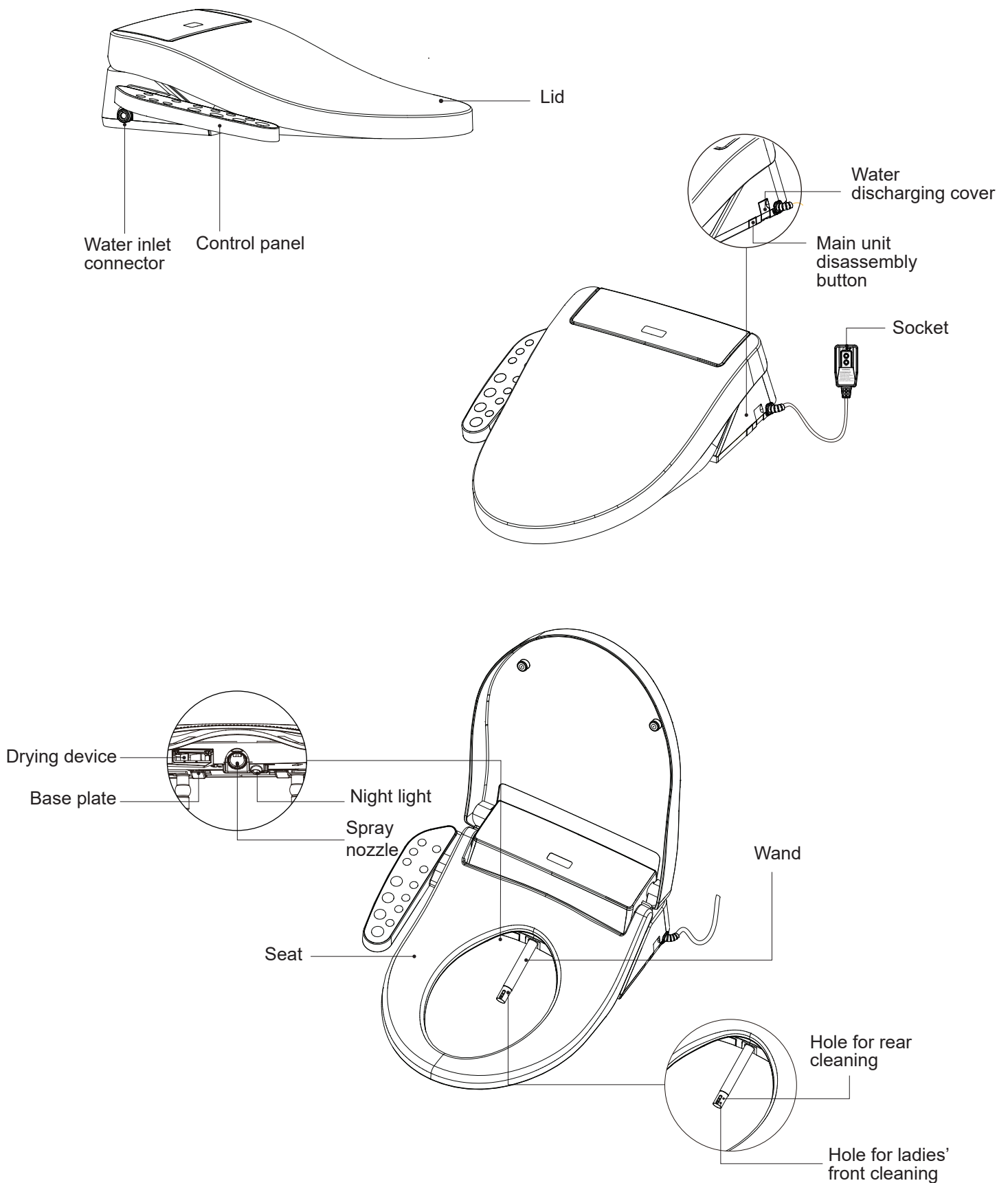
Technical Specification

Model		V2600	V2601
Main Unit	Rating pressure	110-120V, 50/60Hz	
	Rating power	1050-1250W	
	Water pressure range	Minimum water pressure 0.07MPa (20L/min. flowing pressure). Maximum water pressure 0.8MPa (Hydrostatic pressure)	
	Electrical wire	length is about 1.0m	
Cleaning device	Container capacity	600ml	
	Heating power	1000W	
	Water temperature	4 different level adjustment	
	Water volume	5 different level adjustment	
	Cleansing mode	Rear cleaning/Rear massage, Front cleaning for ladies	
	Spray cleansing location	5 different level adjustment	
	Water pressure protector	Pressure stabilize , Automatic pressure discharging	
	Anti-fouling device	Speedy water discharge device, Automatic nozzle cleaning, Anti-siphon device, Anti-backflow device, Filter device	
Drying device	Safety device	Temperature controller, Thermal fuse, Ground protection, Leakage protection device, burning preventer	
	Warm wind speed	>4m/s	
	Warm wind temperature	4 different level adjustment	
	Heating power	250W	
Heated seat	Safety device	Temperature sensor, Temperature controller, Thermal fuse	
	Surface temperature	4 different level adjustment	
	Heating power	50W	
	Open and close device	Soft close	
	Prevent low temperature burn	After 10 minutes of use, the seat temperature will automatically drop to a low level	
Caring device	Safety device	Seat sensor, Temperature sensor, Temperature controller, Thermal fuse	
	Night light assembly	Smart on / off; In the off state	
Differ in shape	Noise-free setting	The buzzer is off at night to avoid noise	
	Seat	Round	Elongated
	Cover	Round	Elongated

Packaging List

<p>Base Plate Parts</p>	<p>① Base plate</p> <p>② Bolt (2pcs)</p> <p>③ Flat Washer (2pcs)</p> <p>④ Plastic Plate (2pcs)</p> <p>⑤ Expansion Nut (2pcs)</p>	
<p>Water Supply Assembly</p>	<p>① Water Supply Pipe (1pcs)</p> <p>② T-connector (1pcs)</p>	
<p>Installtion Manual</p> <p>Installation paperboard</p>	<p>Installtion Manual</p> <p>Installation paperboard</p>	
<p>Main Unit</p>		

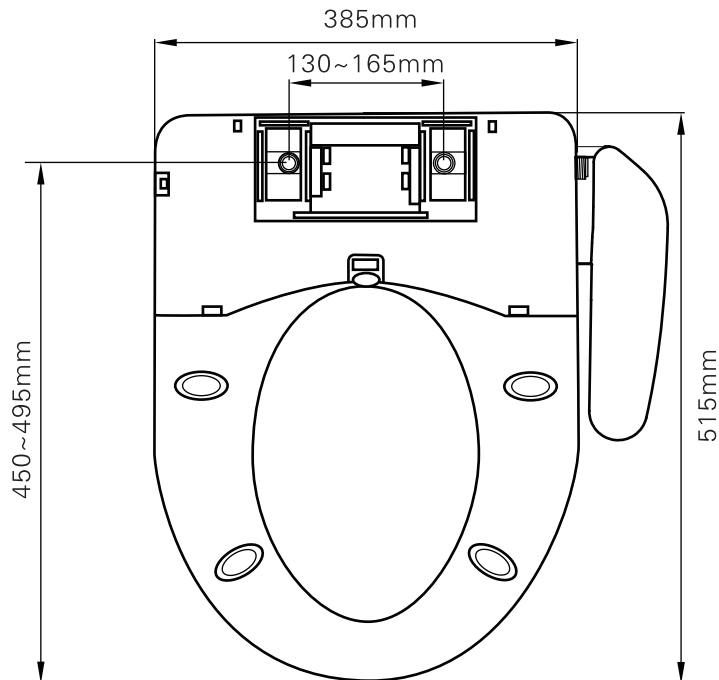
Main unit identification



Installation Instruction

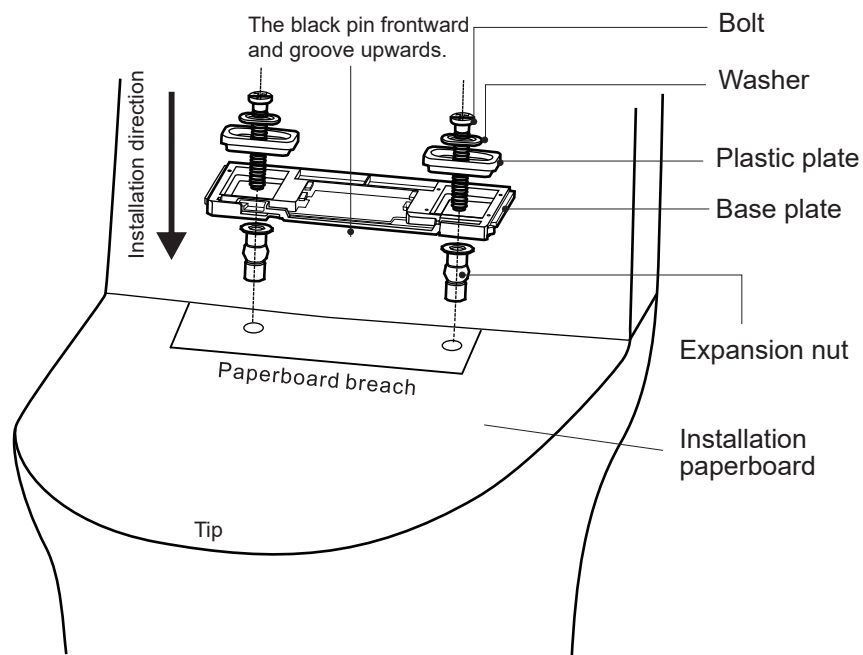
Installation dimension

Note: Please check if the installation dimension matching the user's toilet.



Installation of mounting plate

Press the expansion nuts into the installation holes in the toilet, then install the base plate, plastic plates, flat washers and bolt as per the drawing and tighten the bolts.



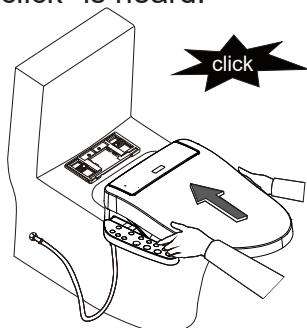
Note:

Unfold the installation paperboard, align the paperboard well fit ceramic bowl from the tip, and then insert base plate to the paperboard breach to make sure base plate align with paperboard breach.

Installation and disassembly of main unit

Installation

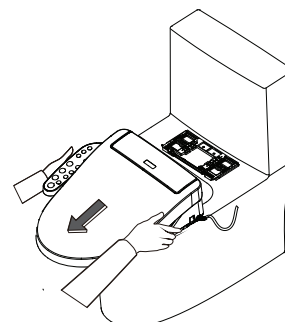
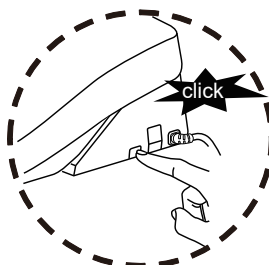
Place the toilet seat on the base plate until a "click" is heard.



Installation

Disassembly

Press the "removal button", until a "click" is heard, and pull it out.



Disassembly

Note:

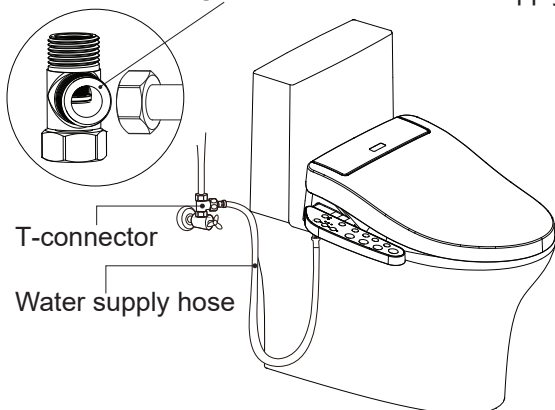
Before pulling out the seat, release hand from "removal button".

Connecting the water supply pipe

1. Side inlet: Install the T-connector onto angle valve, then attach the water supply hose and tank inlet hose into T-connector.

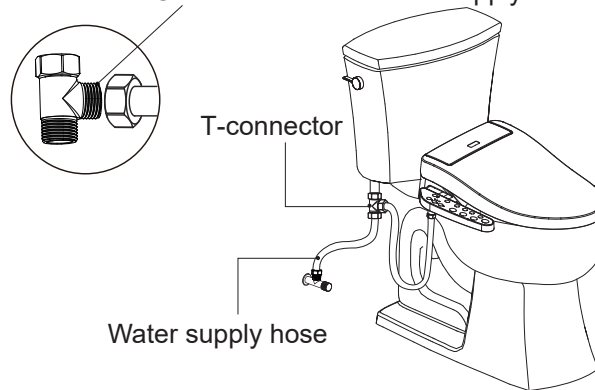
Method 1

Connect with seat water supply hose

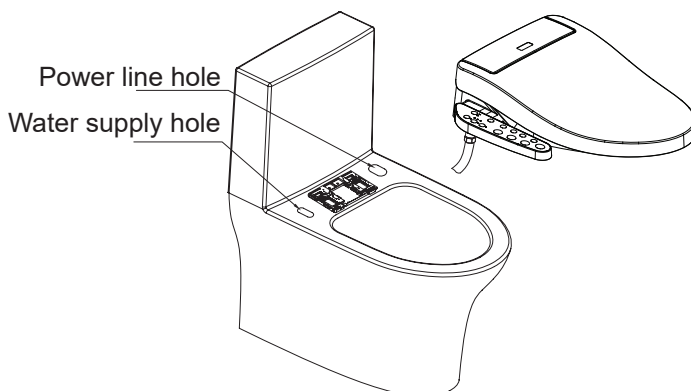


Method 2

Connect with seat water supply hose



2. Bottom inlet: Connect water supply on the inlet connector, then put supply hose and power line through the relevant holes, finally install seat cover.



Note:

Do not distort or damage the supply hose to avoid any leakage.

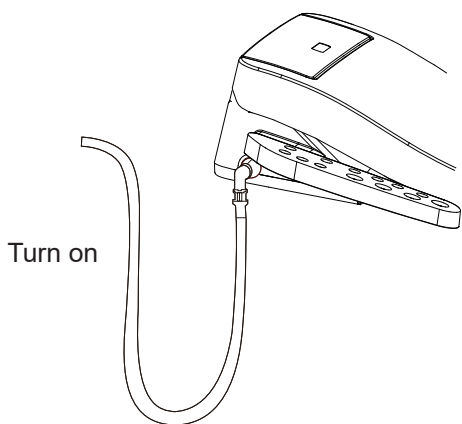
Do not use water supply hose and other accessories of other brands, which may cause danger.

Do not recommend to use our old water supply hose and accessories, which may cause danger.

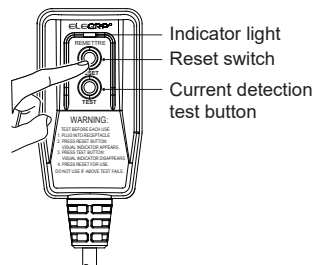
Installation instruction

Checking the power and water supply

1. Connect the water supply hose and turn on the angle valve. Check if any leakage.

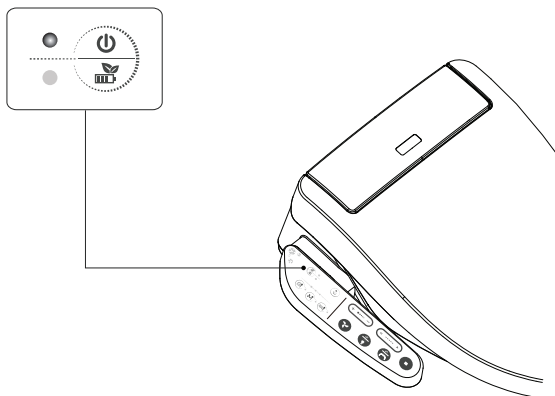


2. Insert power plug into power socket, press protection switch. Indicator light is on which means there is electricity. (Prior to usage, press leakage test button, protection switch bumps to show that protection function works normally)

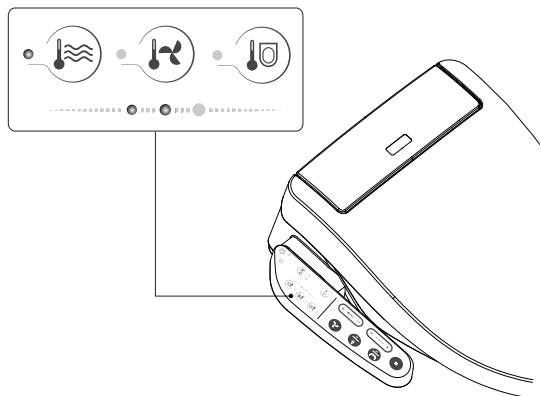


* Please refer to the actual product.
 *Applicable to the type with leakage protection plug.
 *Press the TEST button (then RESET button) every month to assure proper operation.

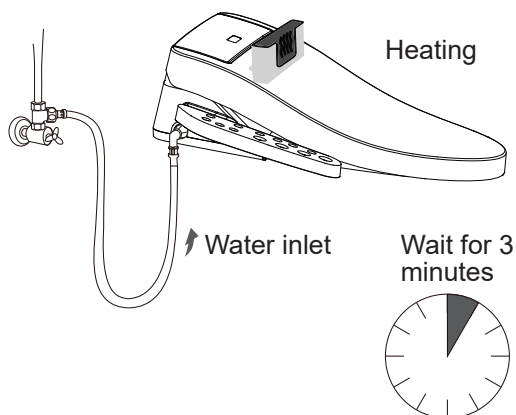
3. Smart self-checking start: one beep – one flash of all indicator lights on control panel –power light on – ECO light off - self-checking starting.



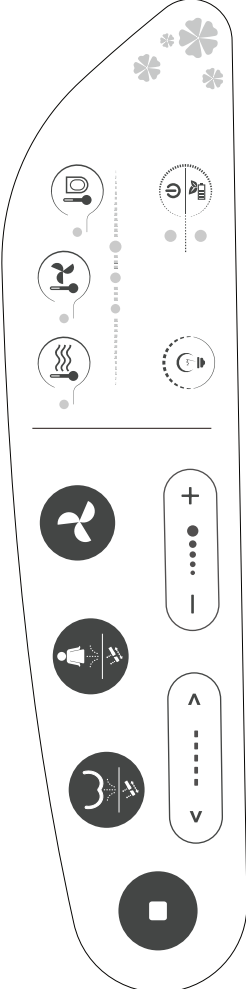












4. Smart self-checking finish: one beep –water temp indicator on – wind & seat temp indicator off – two grade indicator on – self-checking finished.



5. Water begins to fill the tank of the bidet seat. Wait 3 minutes for water heating.



Control panel introduction

	 Stop	Cancel all actions/functions including rear cleaning, front cleaning and drying.
	 Rear/ Massage	When seated, short press “Rear/Massage” to wash hip; short press “Rear/Massage” again to start massage function. Hip wash shall automatically switch to drying if remain seated. The drying action will also finish automatically. When off seat, short press “Rear/Massage” to start nozzle self-clean (nozzle will keep inside), then nozzle will stretch out for a manually wipe clean. Long press “Rear/Massage” to start a 90 seconds self-clean(nozzle will keep inside)
	 Front/ Massage	When seated, short press “Front/Massage” to spray wash the vagina; short press “Front/Massage” again to start massage function. bidet shall automatically switch to drying if remain seated. The drying action will also finish automatically.
	 Dry	Short press “Dry” to start drying function. It will stop automatically or when leaving the seat.
	 Water temp button	Short press “Water temp” to activate mild water, keep short presses to switch water temp among “neutral-Level1-Level2-Level3” .
	 Wind temp button	Short press “Wind temp” to activate mild temp wind, keep short presses to switch wind temp among “neutral-Level1-Level2-Level3” .
	 Seat temp button	Short press “Seat temp” to activate mild temp seat, keep short presses to switch seat temp among “neutral-Level1-Level2-Level3” .
	 Power/ ECO	When off seat, short press “Power/ECO” to enter ECO mode, short press again to start normal mode, long press to enter standby mode.
	 Light button	Short press “Light” to turn on the light, short press again to turn off the light. Long press “Light”, light flashes twice and buzzer beeps once, then the light turns on to enter “smart 7 hours” mode; Long press “Light” again, light flashes twice and buzzer beeps once, then the light turns off to exit “smart 7 hours” mode.
	 Water flow switcher	During “Rear” or “Front”, press water pressure button of “+” and “-”, to adjust pressure for rear and front cleaning.
	 Spray nozzle position adjustment	During “Rear” or “Front”, press spray nozzle button of “<” and “>”, to move the position forward and backward.
 Stop+Rear/Massage	Mute mode operation: long press “Stop” then swift press “Rear/Massage” to turn on mute mode. Repeat the operation to switch back to normal mode.	

Remark:

Mode & indicator instruction: 1. Power light on ECO light off means in normal mode;
2. ECO light on power light off means in ECO mode; 3. All lights off means in standby mode.

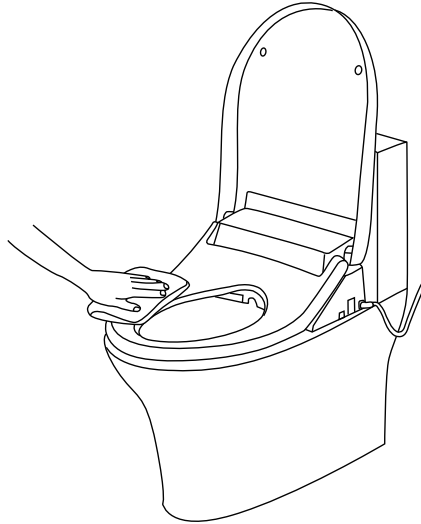
Default settings are moderate/middle level for all functions. Adjustable by control panel.

If the product is not used for 72 hours, the water in the tank will automatically discharge and replaced by fresh water.

Daily maintenance

Main unit maintenance

1. Shut of power supply at maintenance.
2. Turn the seat upward open, press down the button located on the right side of main unit and pull out the seat. Wipe the stain with a soft damp cloth.
3. After cleaning, re-install the seat back.



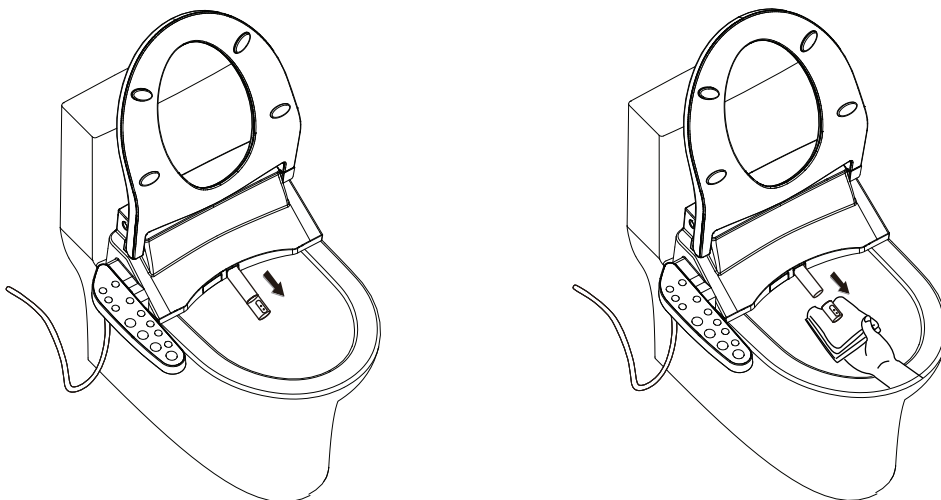
Note:

Do not pour the water on the product.

Spray nozzle maintenance

Do the following to clean the wand.

1. Short press "Rear/Massage" to stretch out nozzle for a manually wipe clean using cloth or banister brush.
2. Long press "Rear/Massage" start nozzle automatic self-clean without stretching out.
3. Short press "Rear/Massage" or "Stop" to finish clean action.

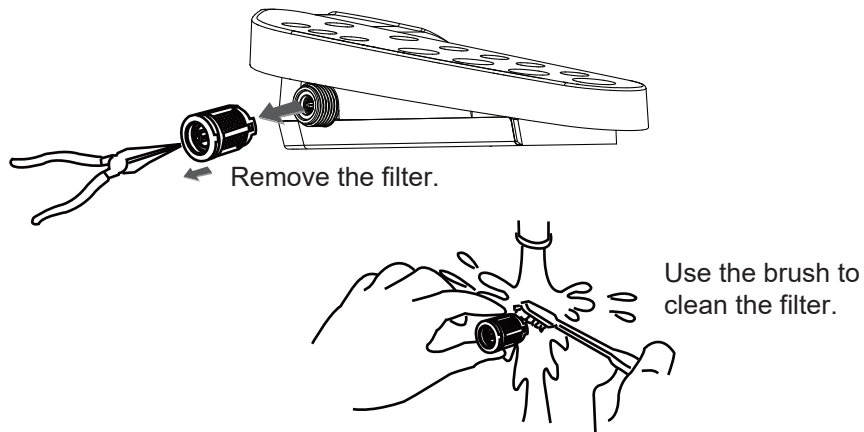


Note:

1. Do not apply force when pushing or pulling the wand, as this may damage the mechanism.
2. Spray nozzle can be disassembled and cleaned.

Inlet filter cleaning

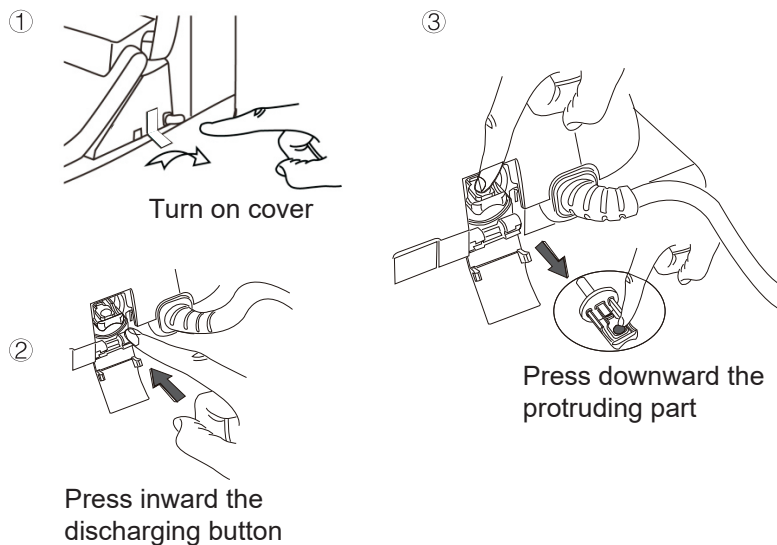
1. Pull out electrical plug, then shut off water supply valve and remove water supply hose.
2. Remove the filter. Use the brush to clean the filter.
3. Put the filter back into inlet after cleaning. Then connect the water supply pipe.



Tank anti-freezing and anti-bacterial maintenance


When room temperature is under zero and electricity is disconnected, or user is away for a long time. The water inside the tank should be discharged.

1. Open the tank cover, press the discharge button, turn on valve to discharge the water.
2. Slightly press the discharge button protruding part to turn off discharging valve and cover.



Note: Before water discharging, the power must be cut off !

Troubleshooting Guide

Problem	Cause	Solution
No flushing	Water supply hose buckling causes block	Solve the buckling
	Fill valve is off	Turn on the fill valve
	Water supply is cut off	Connect water supply and wait for the water
Poor flushing	Water supply hose buckling causes partial block	Solve the buckling
	Fill valve is not fully turned on	Turn on the fill valve fully
	Filter is dirty and causes block	Clean the filter
The water is not hot	The water temperature is setted on normal temperature level	Reset the water temperature
	In standby mode or power save mode	Switch to function mode, and then wash after 3 minutes
Seat temperature is not hot	The seat temperature is setted on normal temperature level	Reset the seat temperature
	In standby mode	Shift to function mode for 3 minutes
Wind temperature is not hot	The wind temperature is setted on normal temperature level	Reset the wind temperature
No wind out	In standby mode or power save mode	Shift to function mode to use dry function
Spray wand cannot retracted	Power off	Push back the wand lightly and wait for the power
	Get stuck by impurities	Clear away the impurities
Spray wand cannot stretch out	Power off	Re-connect the power
	Do not sit in sensing area	Sit right in the sensing area
 Caution	If the problems cannot be solved as per above methods, please shut-off the power, and contact service providers for maintenance.	
	If the leakage circuit breacker often trips off, it means the product has electricity leakage, please shut-off the power, and contact service provider for maintenance.	

A decorative graphic consisting of multiple thin, overlapping wavy lines that create a sense of motion and depth, spanning across the top half of the page.

R&T®

Xiamen R&T Plumbing Technology Co.,Ltd.

Add: No. 18, Houxiang Road, Haicang District, Xiamen, China

Tel: 86-0592-6539788

Fax: 86-0592-6539723

E-mail: rt@rtplumbing.com

Http: [//www.rtplumbing.com](http://www.rtplumbing.com)

The picture of product may not entirely consistent with actual appearance and color because of products improvement, please in kind prevail.

ASVFA26000002A-1.9