

Drawer Dresser

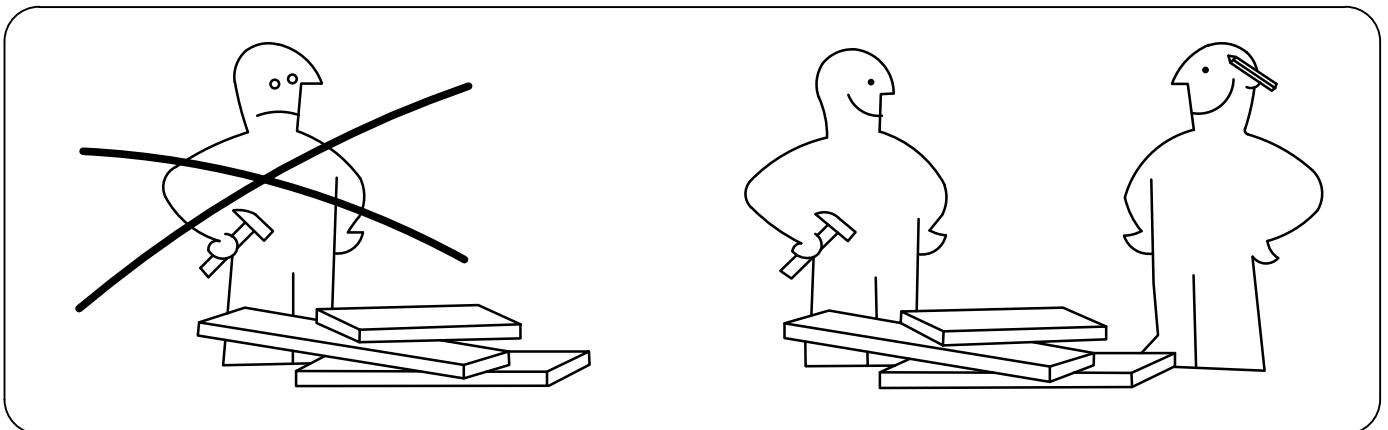
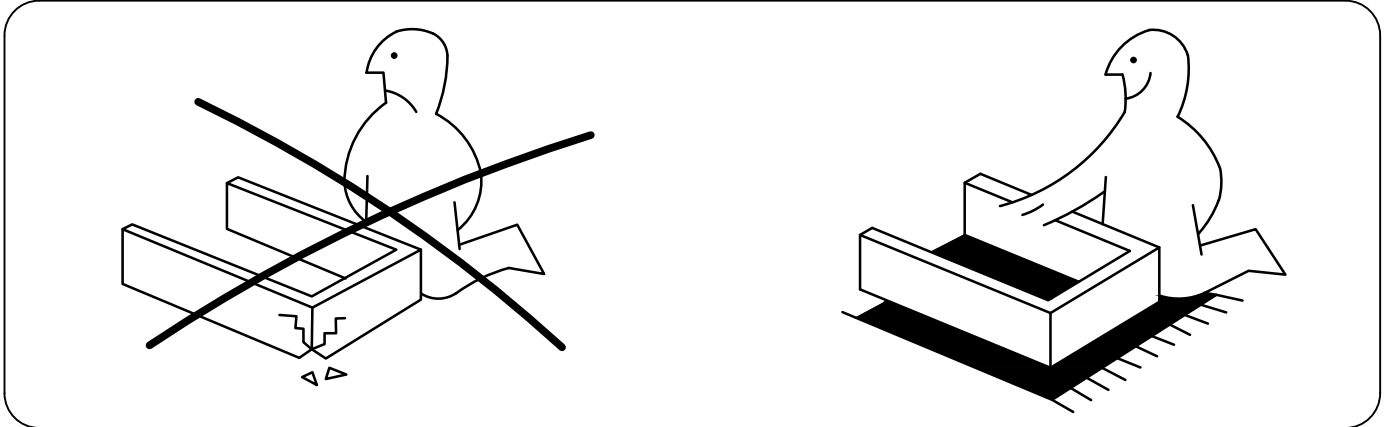
User Manual



Customer Service Emails
US@JANFLY.COM
EU@JANFLY.COM

INTRODUCTION

Thank you for purchasing our products. Committed to providing customers with the best quality products and service has always been our lifelong goal. Before using the product, please read this instruction manual carefully to ensure correct use. Keep the instruction manual in a place where the user can find it at any time.



PRECAUTIONS

1. There are many components and accessories in the package. Each component and accessory is labeled with a letter or a number, check carefully before using any of them. Keep them away from children to prevent accidents.
2. Please install the product on a clean and soft underlay (such as carpet or cardboard) to avoid scratching or damaging the surface of the product.
3. The main components of the product is relatively heavy. Please pay attention to safety during installation.
4. The product is not stable during installation. Please do not move it randomly before it is completely installed.
5. If you have any questions during installation, please contact the customer service in time.

***PLEASE BE SURE TO FOLLOW THE INSTALLATION STEPS IN THE MANUAL TO AVOID UNNECESSARY LOSSES CAUSED BY IMPROPER INSTALLATION.
*IF YOU NEED FURTHER ASSISTANCE, PLEASE CONTACT THE CUSTOMER SERVICE ONLINE.**

INTRODUCTION

Thank you for purchasing our products. Committed to providing customers with the best quality products and service has always been our lifelong goal. Before using the product, please read this instruction manual carefully to ensure correct use. Keep the instruction manual in a place where the user can find it at any time.

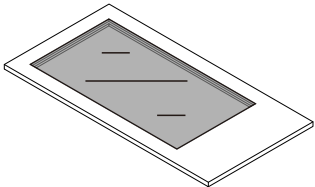
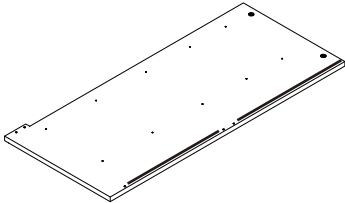
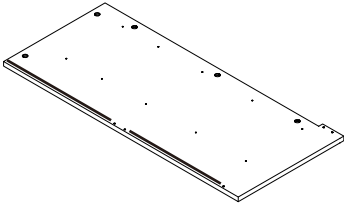
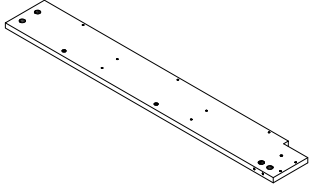
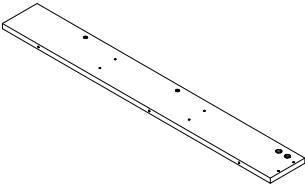
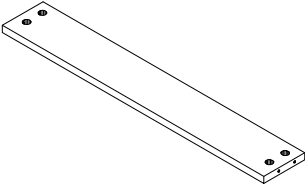
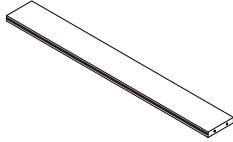

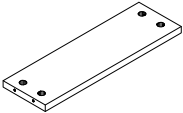
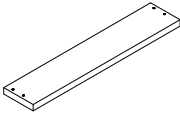
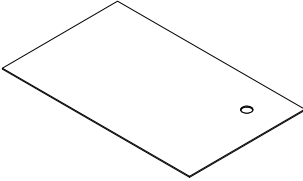
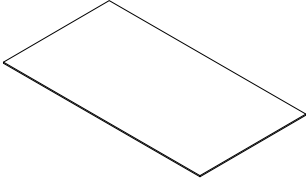
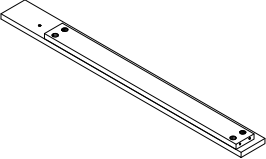
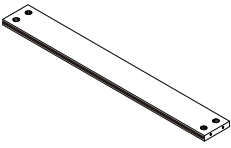
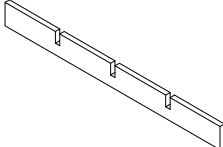
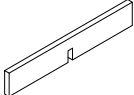
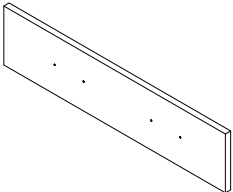
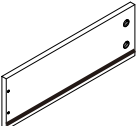
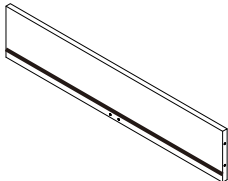
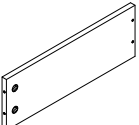
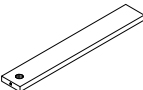
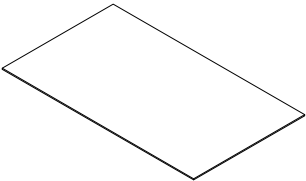
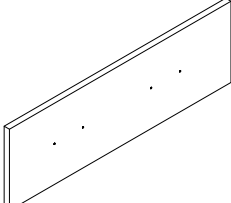
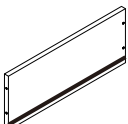
PRECAUTIONS

1. There are many components and accessories in the package. Each component and accessory is labeled with a letter or a number, check carefully before using any of them. Keep them away from children to prevent accidents.
2. Each component and accessory is labeled with a letter or a number, check carefully before using any of them. Keep them away from children to prevent accidents.
3. Please install the product on a clean and soft underlay (such as carpet or cardboard) to avoid scratching or damaging the surface of the product.
4. The main components of the product is relatively heavy. Please pay attention to safety during installation.
5. The product is not stable during installation. Please do not move it randomly before it is completely installed.
6. If you have any questions during installation, please contact the customer service in time.

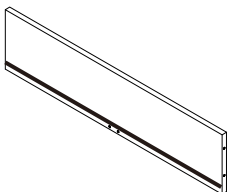
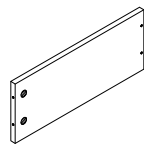
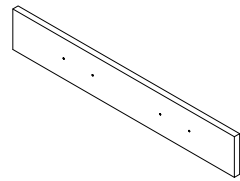
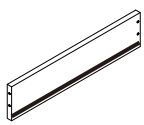
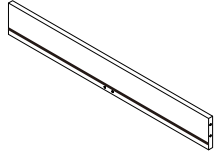
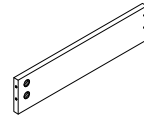
***PLEASE BE SURE TO FOLLOW THE INSTALLATION STEPS IN THE MANUAL TO AVOID UNNECESSARY LOSSES CAUSED BY IMPROPER INSTALLATION.**

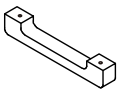
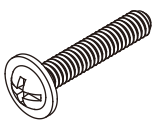
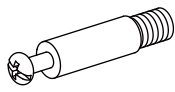
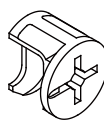
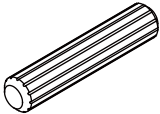
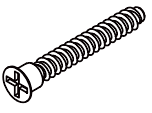
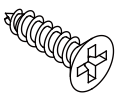
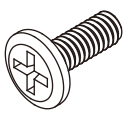
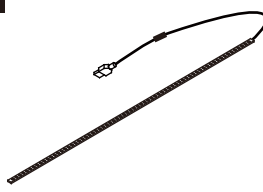
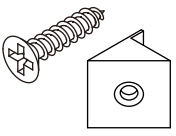
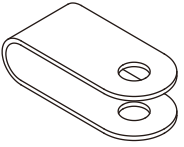
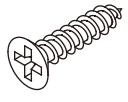
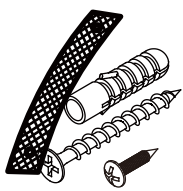
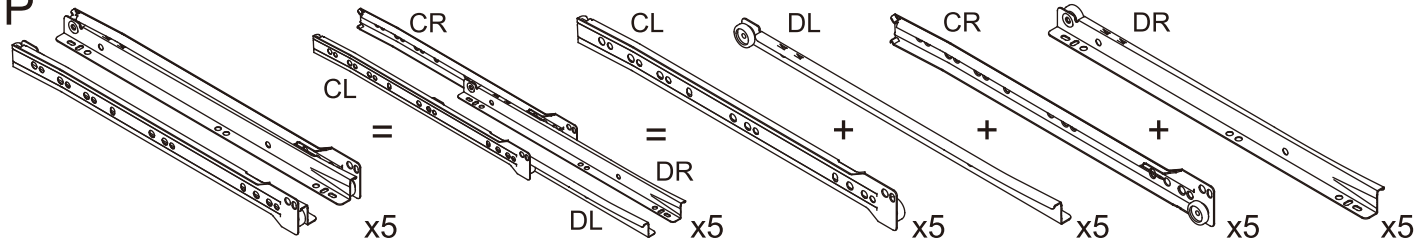
***IF YOU NEED FUTHER ASSIATANCE, PLEASE CONTACT THE CUSTOMER SERVICE ONLINE.**

Hardware & Part List

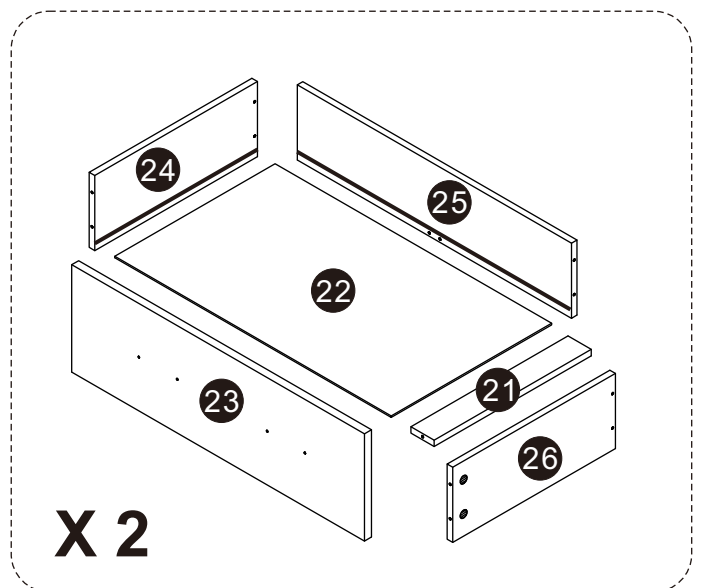
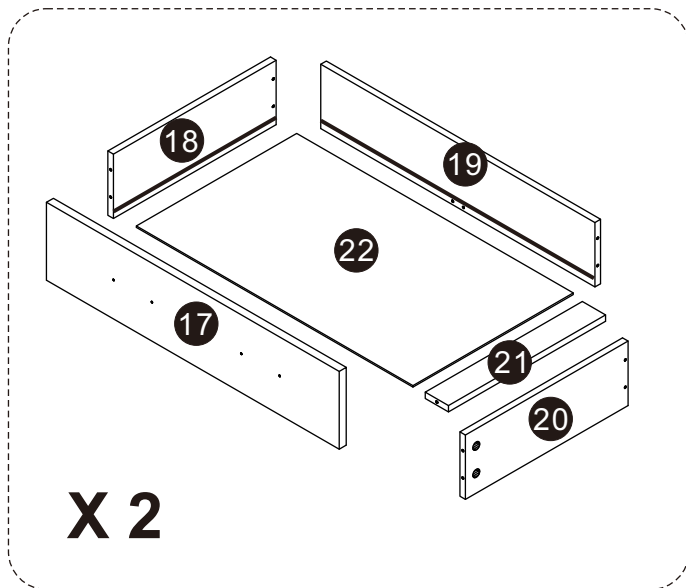
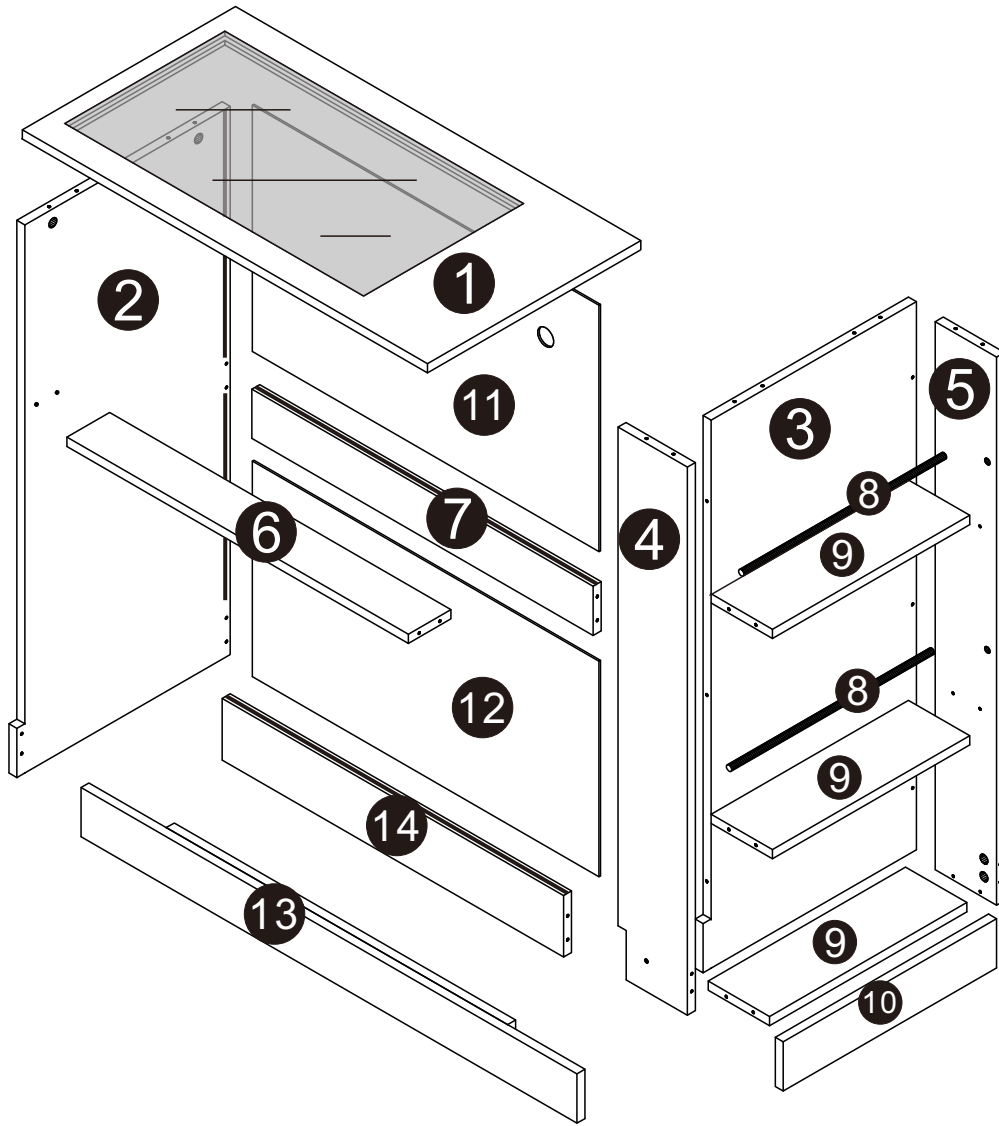
<p>1</p>  <p>X 1PC</p>	<p>2</p>  <p>X 1PC</p>	<p>3</p>  <p>X 1PC</p>	<p>4</p>  <p>X 1PC</p>
<p>5</p>  <p>X 1PC</p>	<p>6</p>  <p>X 1PC</p>	<p>7</p>  <p>X 1PC</p>	<p>8</p>  <p>X 2PCS</p>
<p>9</p>  <p>X 3PCS</p>	<p>10</p>  <p>X 1PC</p>	<p>11</p>  <p>X 1PC</p>	<p>12</p>  <p>X 1PC</p>
<p>13</p>  <p>X 1PC</p>	<p>14</p>  <p>X 1PC</p>	<p>15</p>  <p>X 1PC</p>	<p>16</p>  <p>X 3PCS</p>
<p>17</p>  <p>X 2PCS</p>	<p>18</p>  <p>X 2PCS</p>	<p>19</p>  <p>X 2PCS</p>	<p>20</p>  <p>X 2PCS</p>
<p>21</p>  <p>X 5PCS</p>	<p>22</p>  <p>X 5PCS</p>	<p>23</p>  <p>X 2PCS</p>	<p>24</p>  <p>X 2PCS</p>

Hardware & Part List

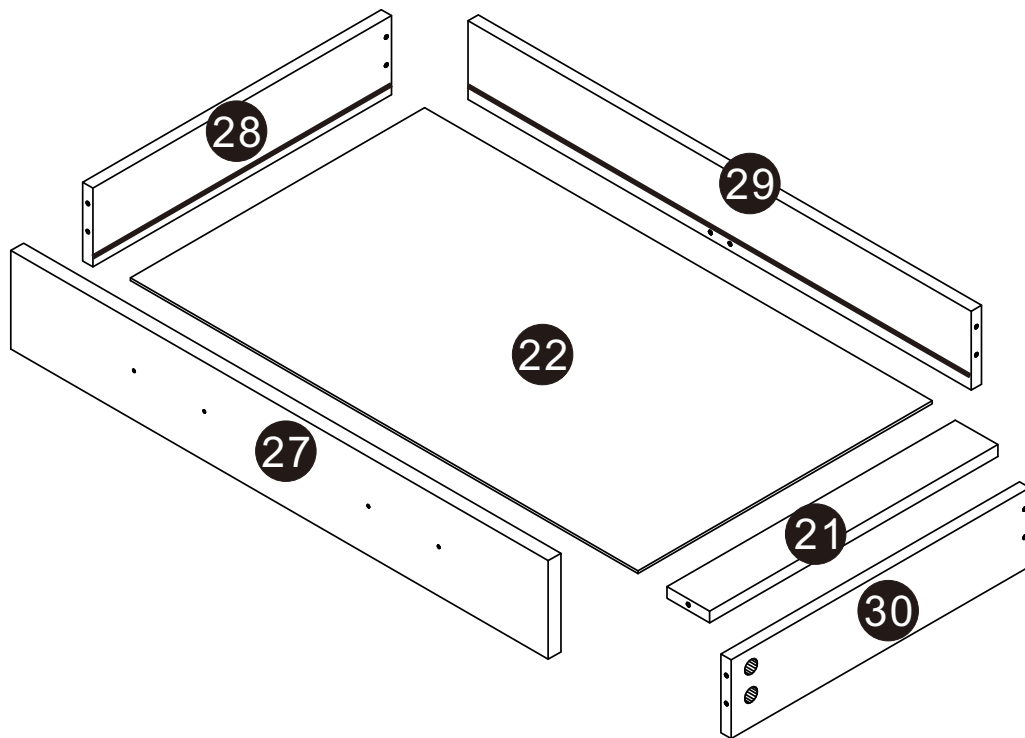
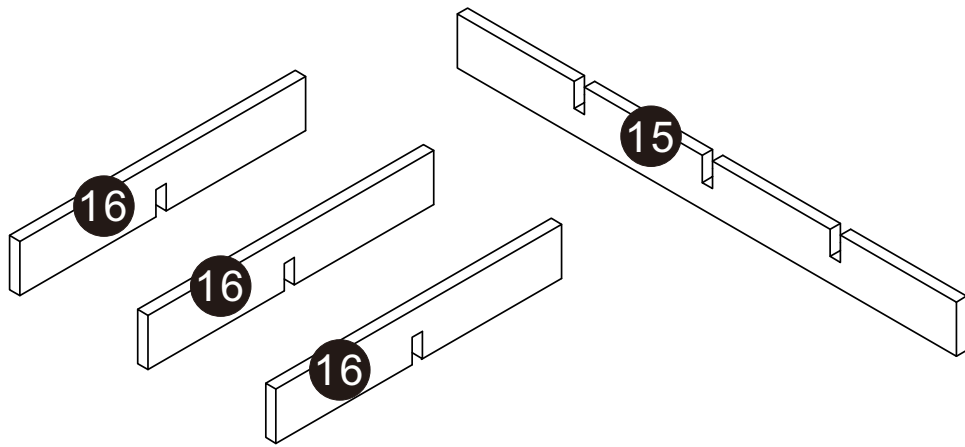
<p>25</p>  <p>X 2PCS</p>	<p>26</p>  <p>X 2PCS</p>	<p>27</p>  <p>X 1PC</p>	<p>28</p>  <p>X 1PC</p>
<p>29</p>  <p>X 1PC</p>	<p>30</p>  <p>X 1PC</p>		

<p>A</p>  <p>10PCS</p>	<p>B</p>  <p>20PCS</p>	<p>C</p>  <p>71PCS</p>	<p>D</p>  <p>71PCS</p>	<p>E</p>  <p>4PCS</p>
<p>F</p>  <p>30PCS</p>	<p>G</p>  <p>50PCS</p>	<p>H</p>  <p>1PC</p>	<p>I</p>  <p>1PC</p>	<p>J</p>  <p>12PCS</p>
<p>K</p>  <p>10PCS</p>	<p>L</p>  <p>10PCS</p>	<p>M</p>  <p>2PCS</p>		
<p>P</p>  <p> $\begin{matrix} \text{CR} & \text{CL} & \text{DL} & \text{CR} & \text{DR} \\ \text{CL} & & & & \\ = & = & + & + & + \\ \text{x5} & \text{x5} & \text{x5} & \text{x5} & \text{x5} \end{matrix}$ </p>				

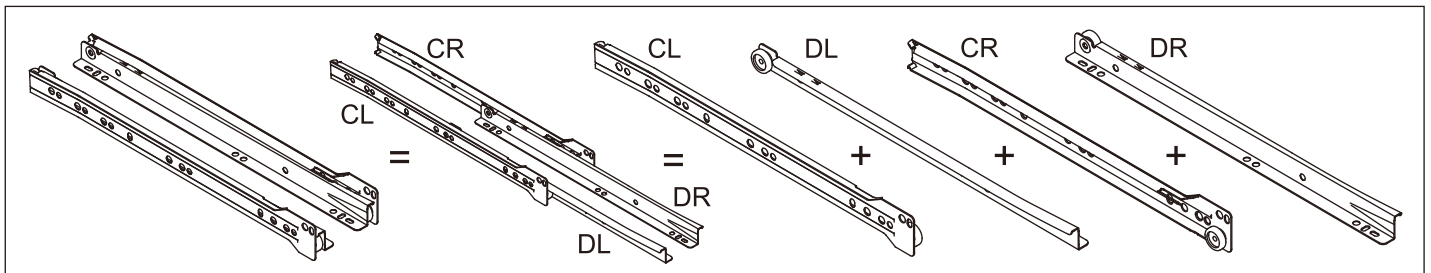
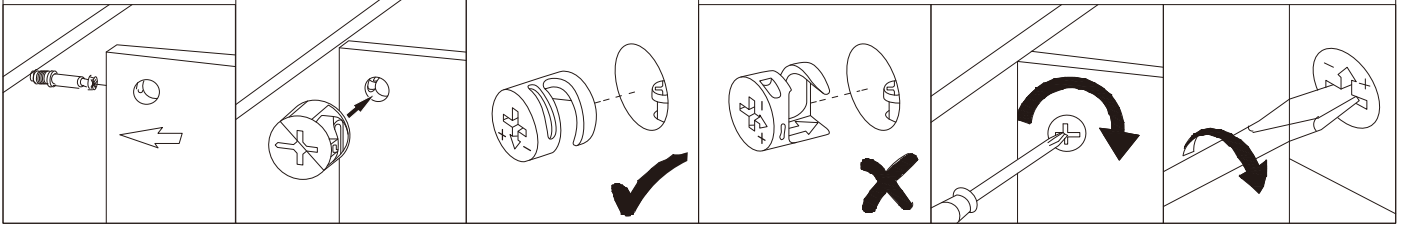
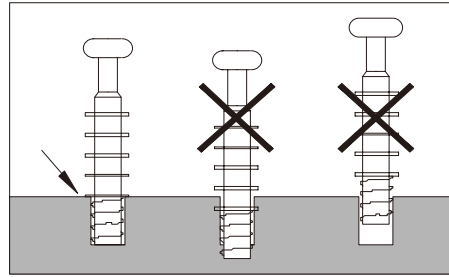
PANEL LAYOUT



PANEL LAYOUT



Installation method of three
in one rod and buckle

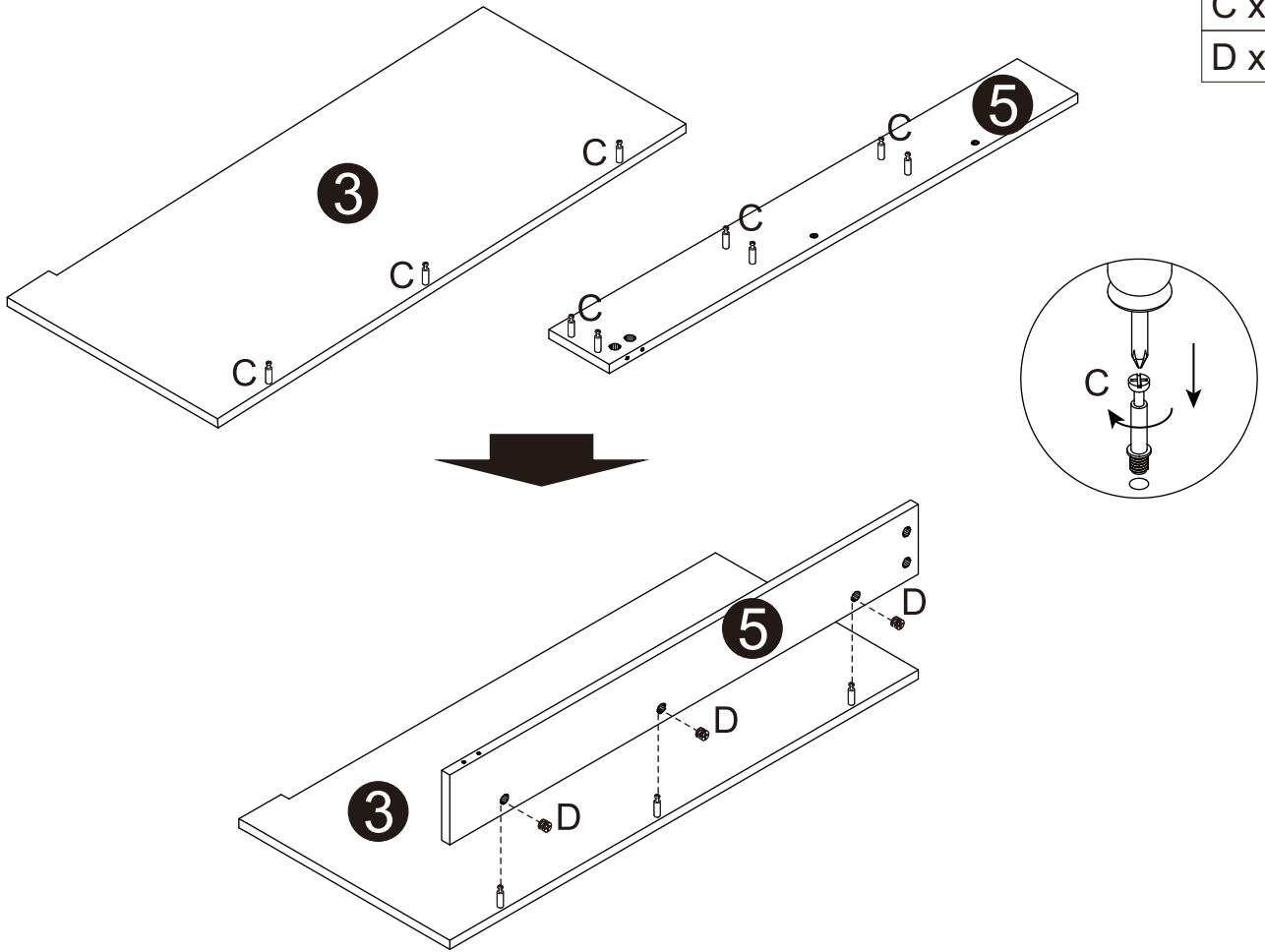


Tips
 When installing the product, use a soft surface (such as carpet or cardboard) to avoid scratching or damaging the surface of the product.
 Please try to use a manual screwdriver instead of electric screw driver. A manual screwdriver can be used to better control the tightness of the screws.
 Do not use any glue.
 The product is unstable before it is assembled. Please pay attention to the product installation sequence, and align all screws and screw holes before tightening.
 The structure of this product can not meet the requirements of children climbing.

01

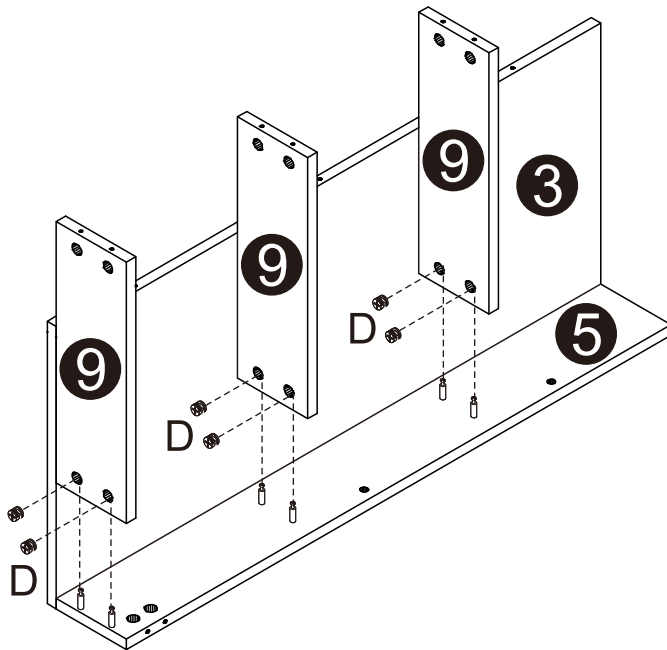
C x 9

D x 3

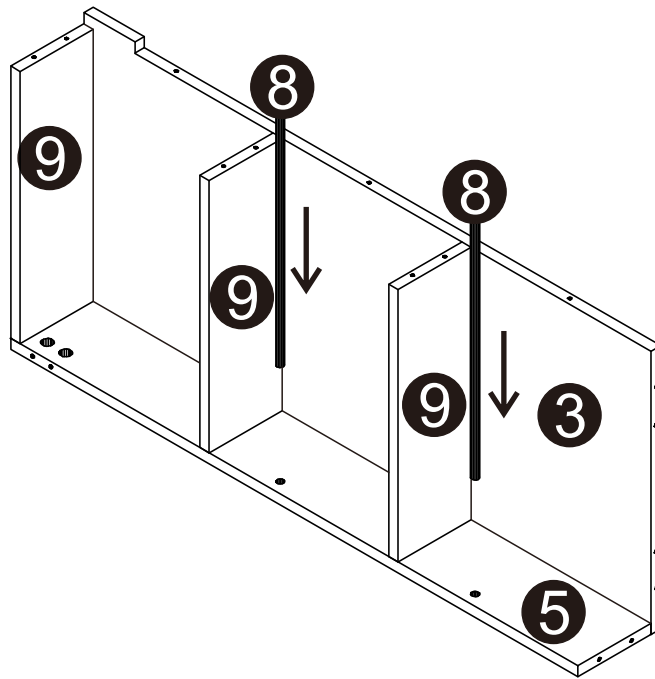


02

D x 6

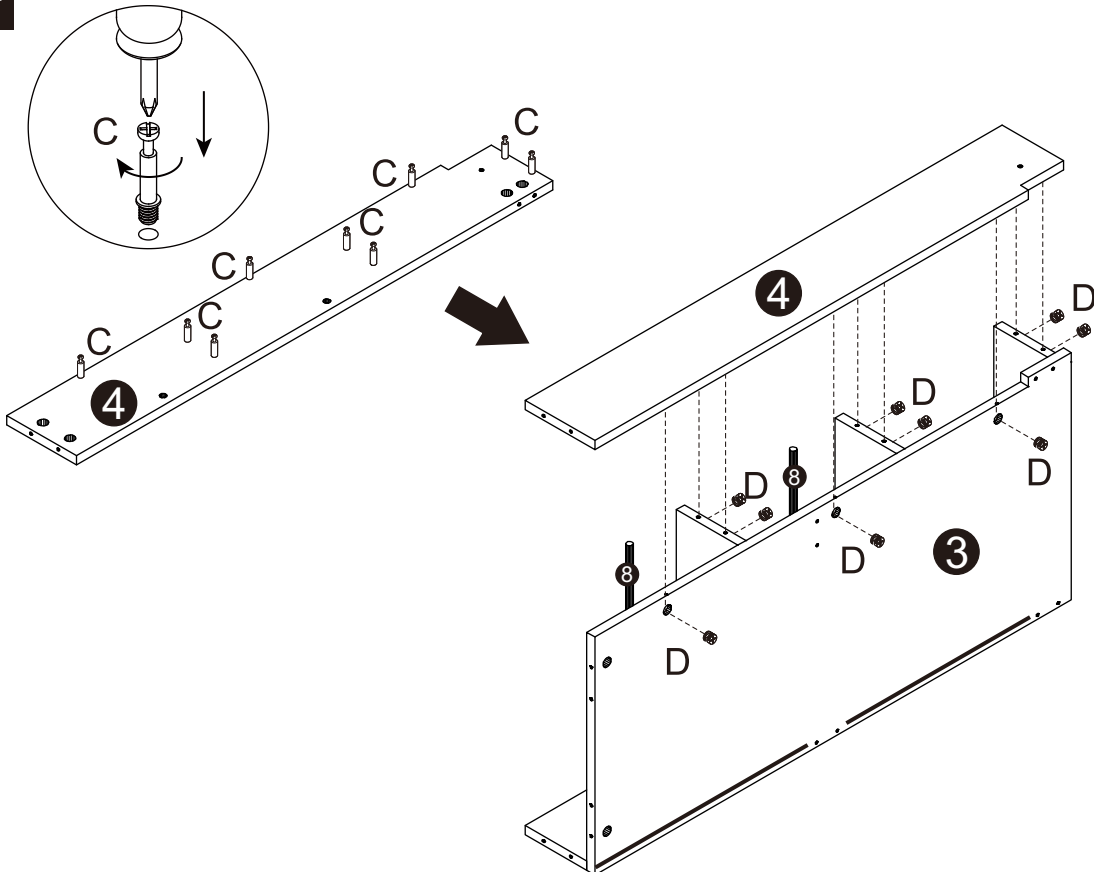


03



04

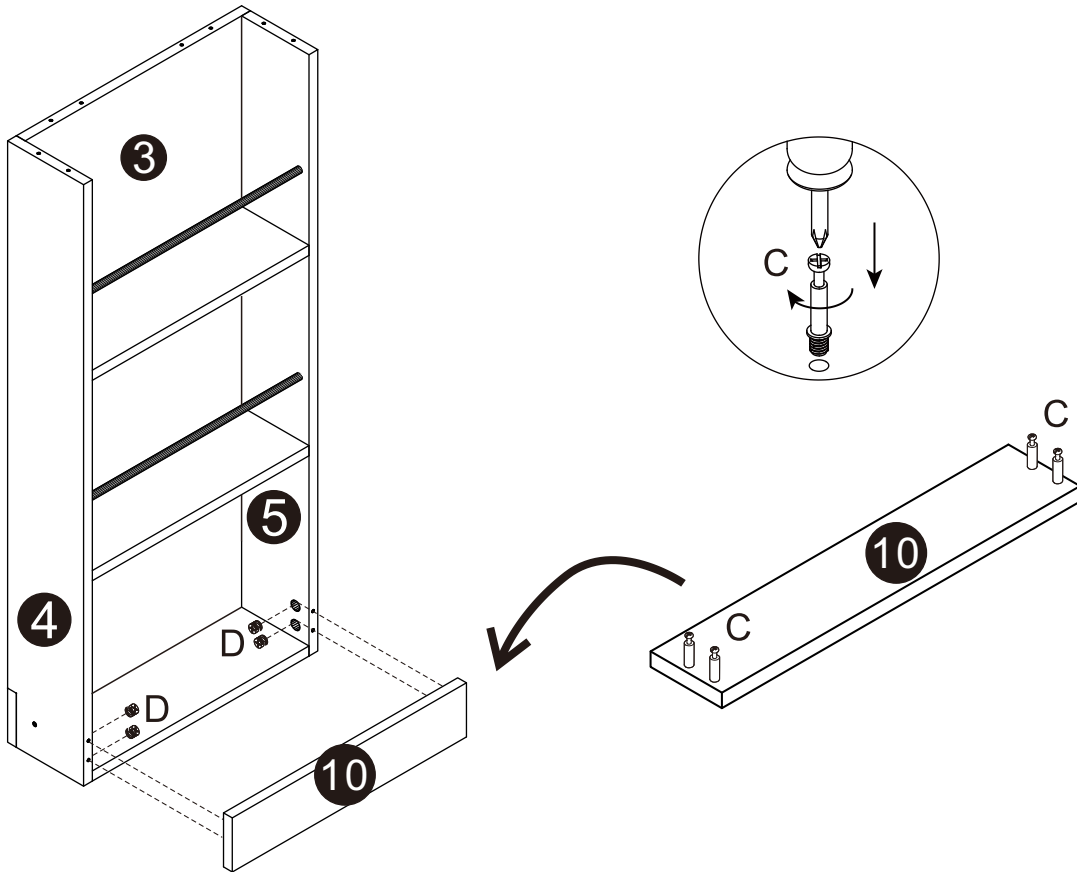
C x 9
D x 9



05

C x 4

D x 4

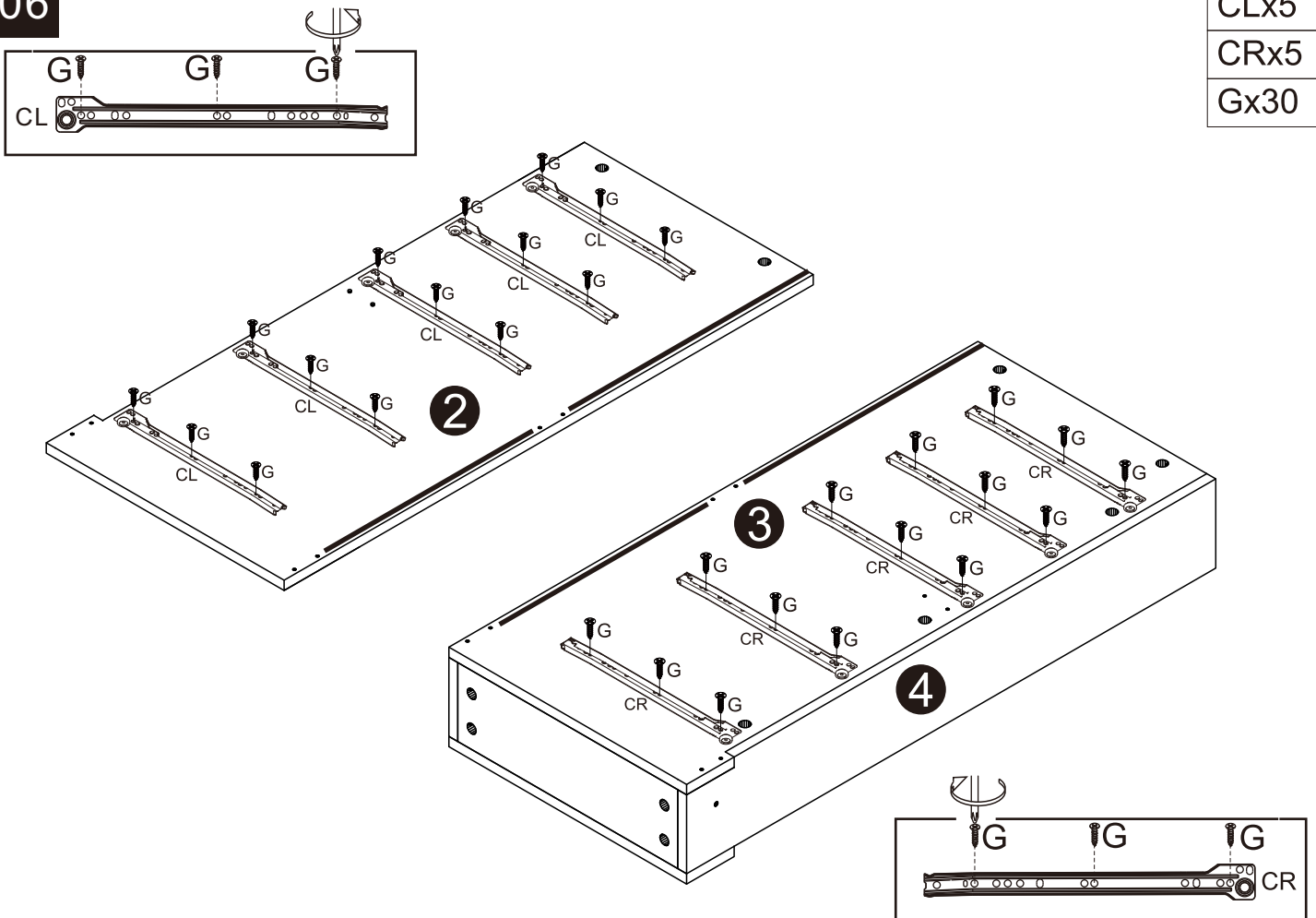


06

CLx5

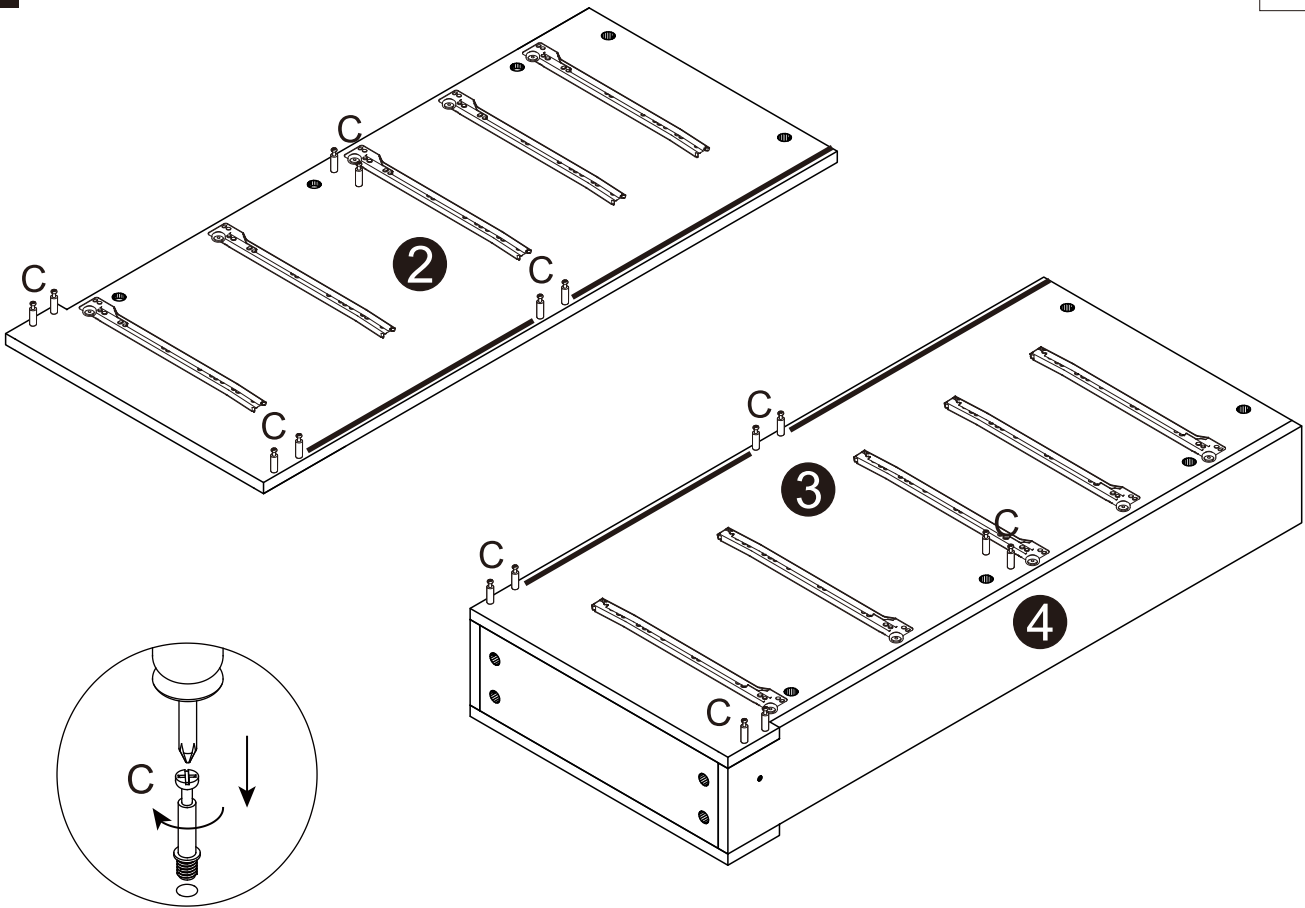
CRx5

Gx30



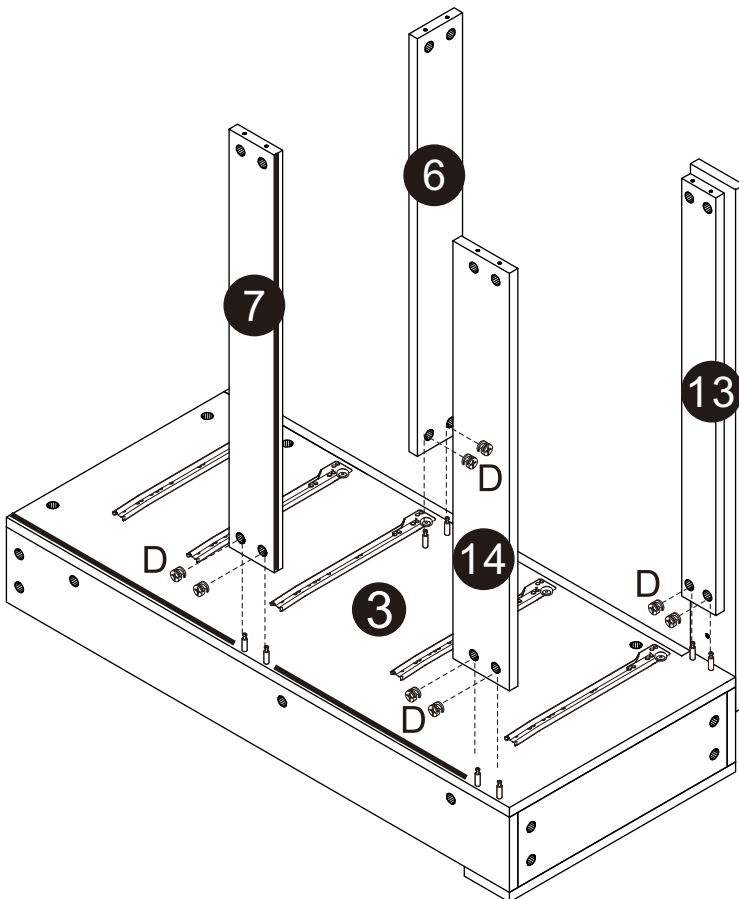
07

Cx16

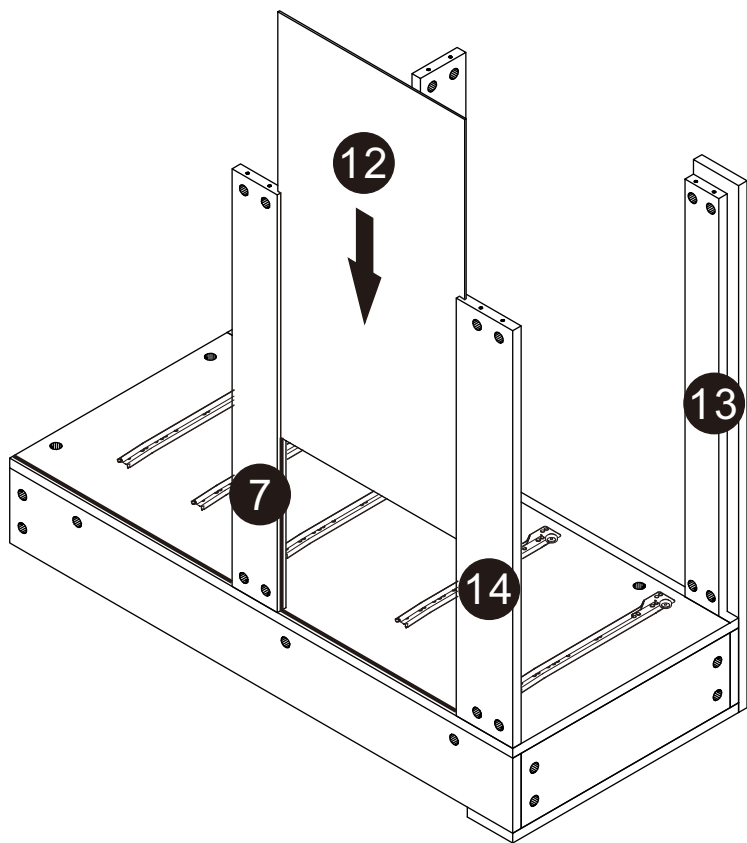


08

D x 8

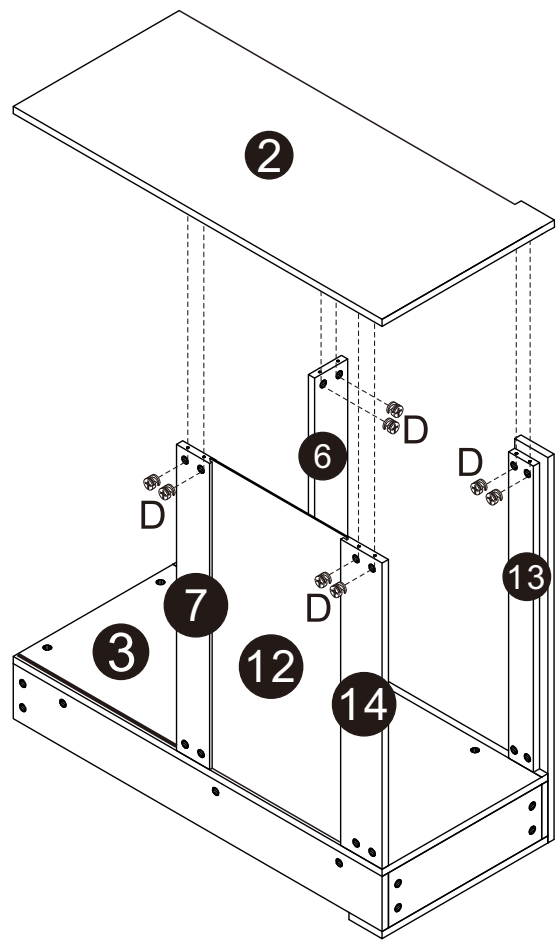


09



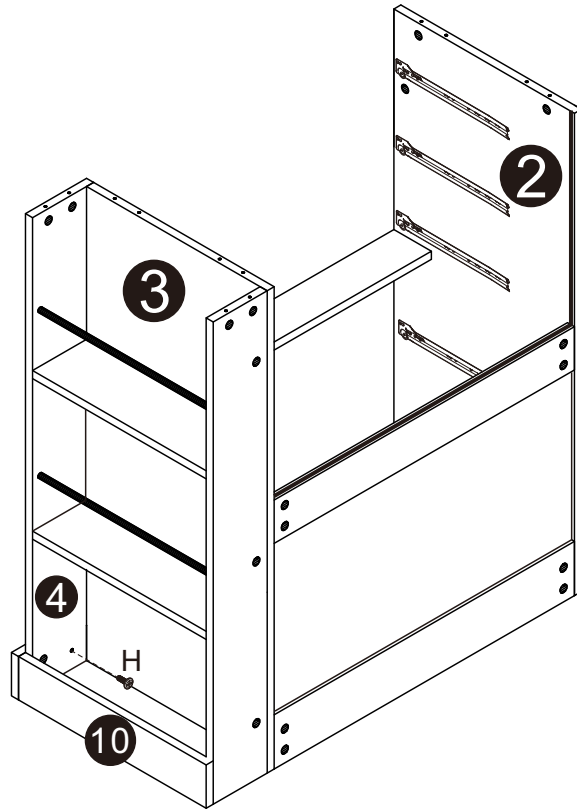
10

D x 8

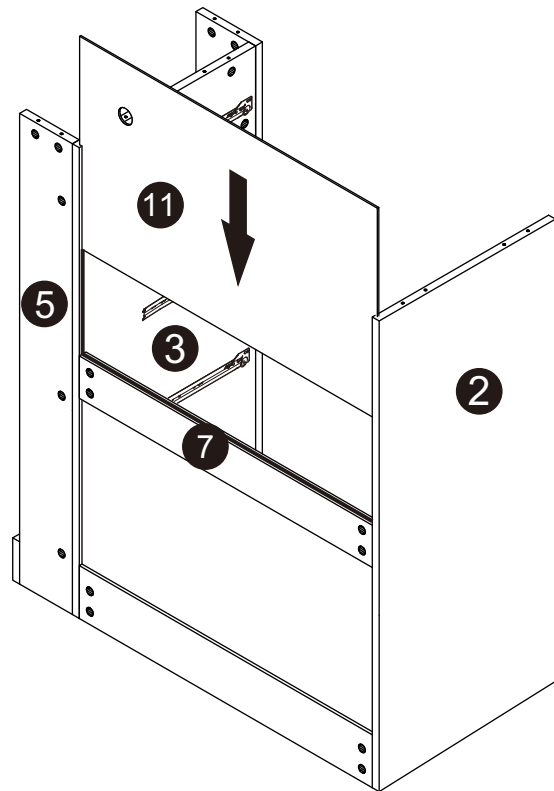


11

H x 1

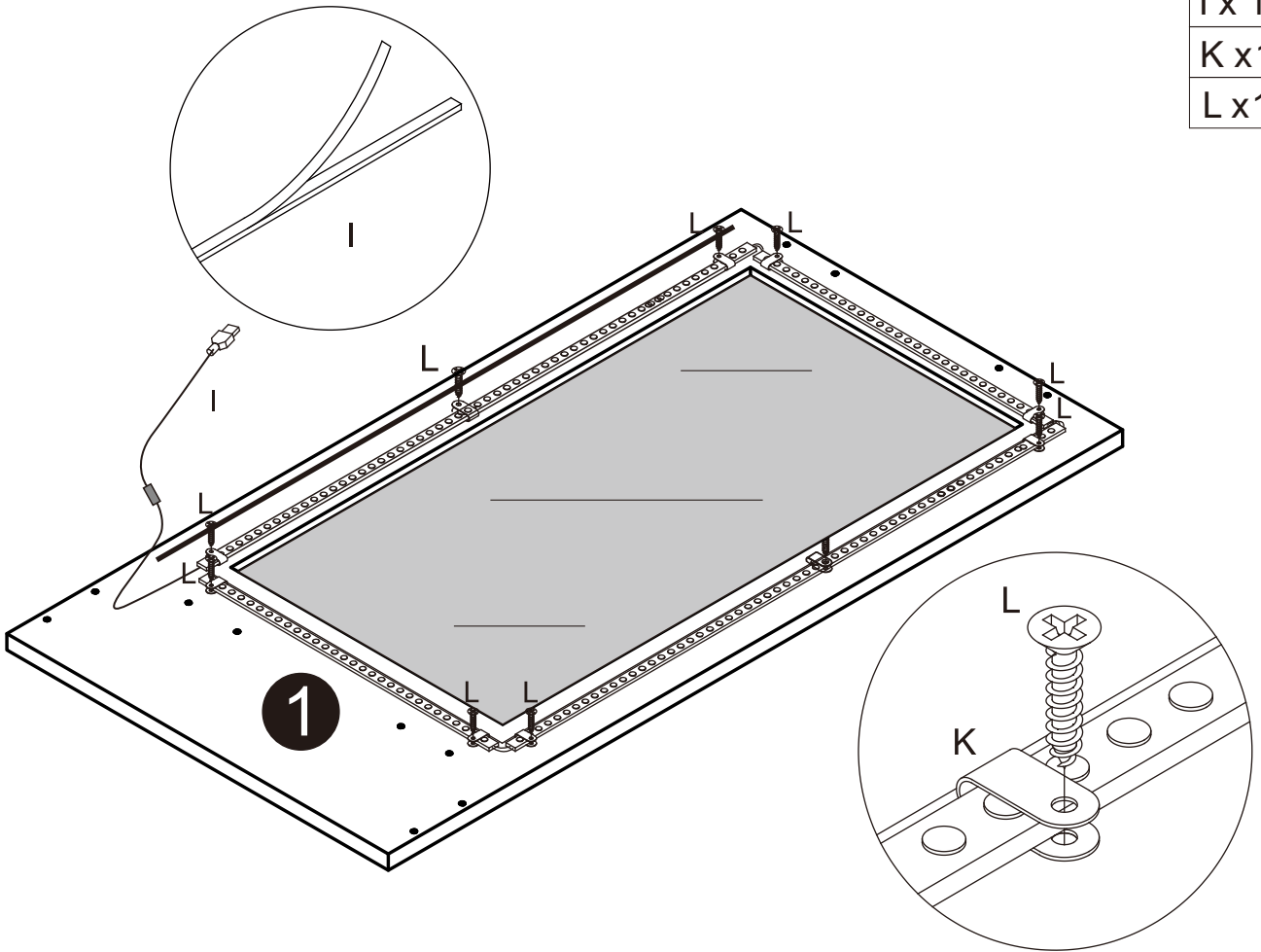


12



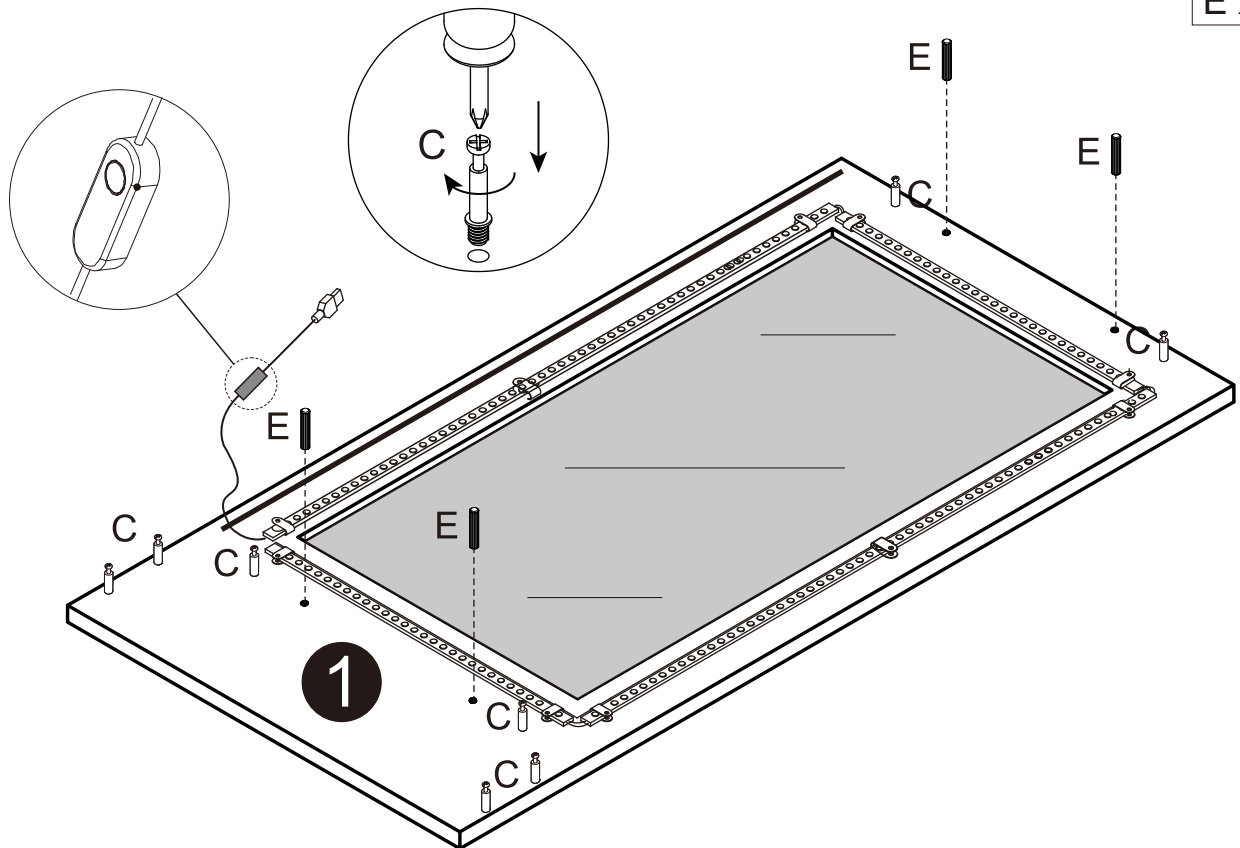
13

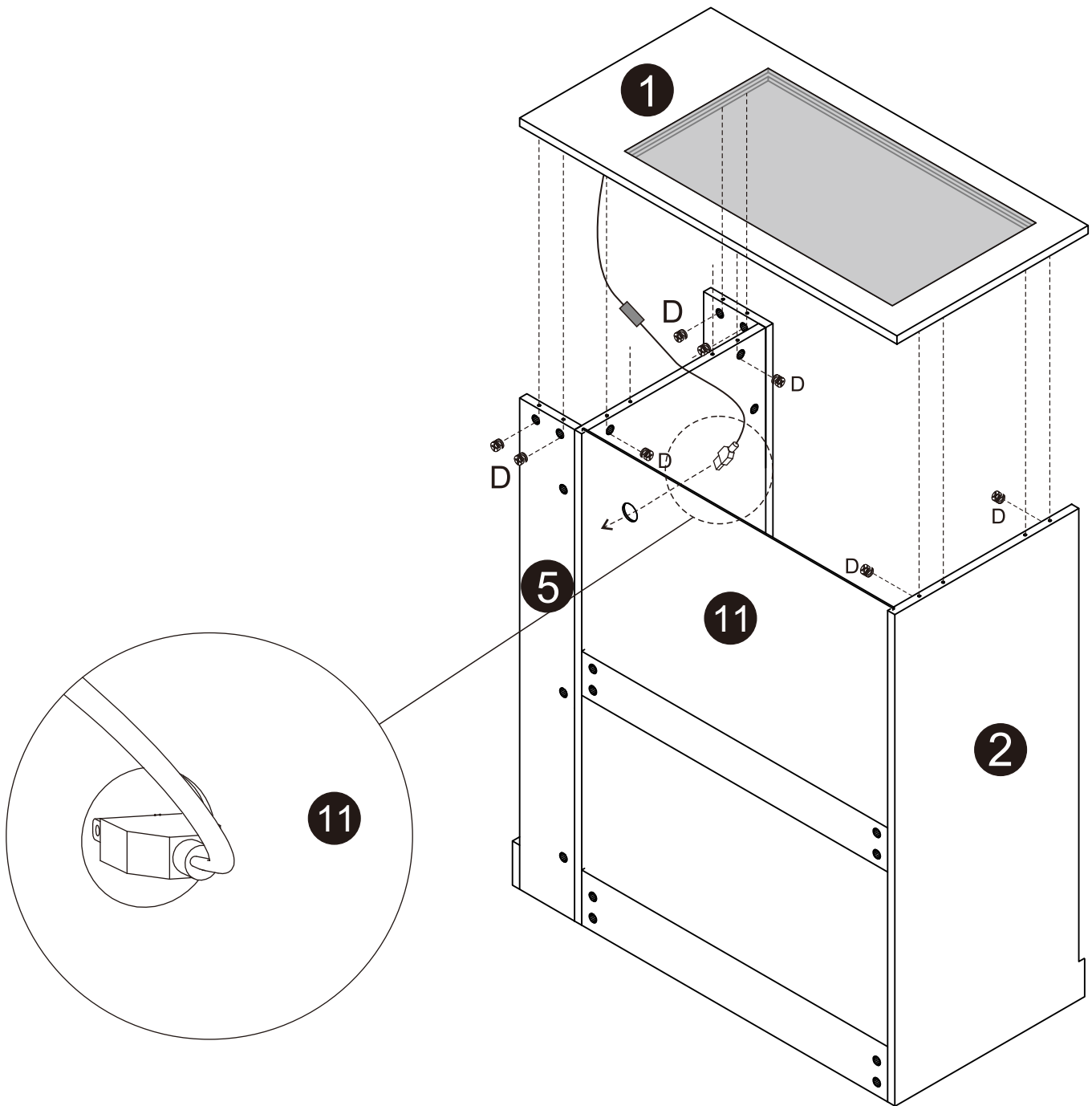
I x 1
K x 10
L x 10



14

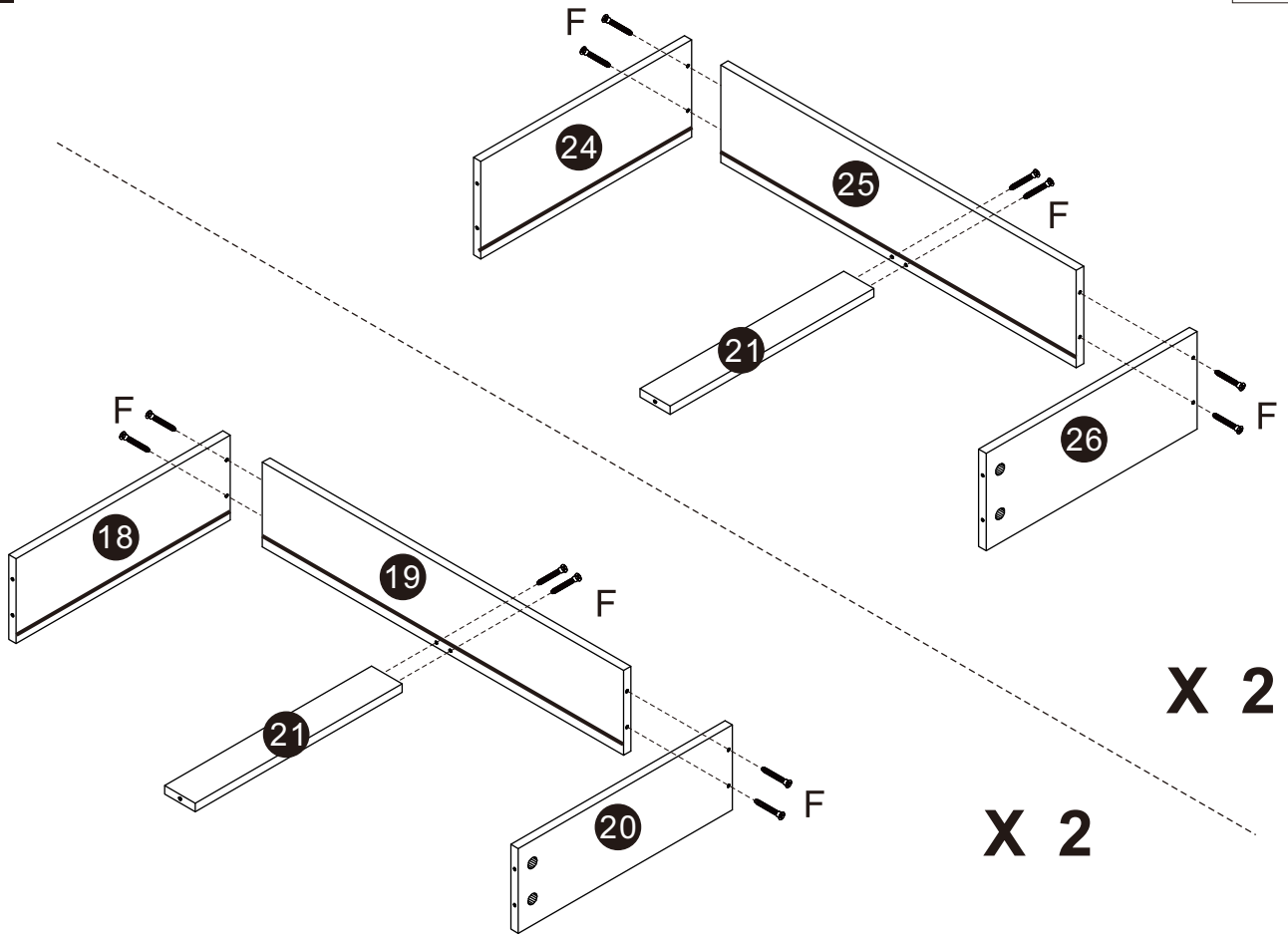
C x 8
E x 4



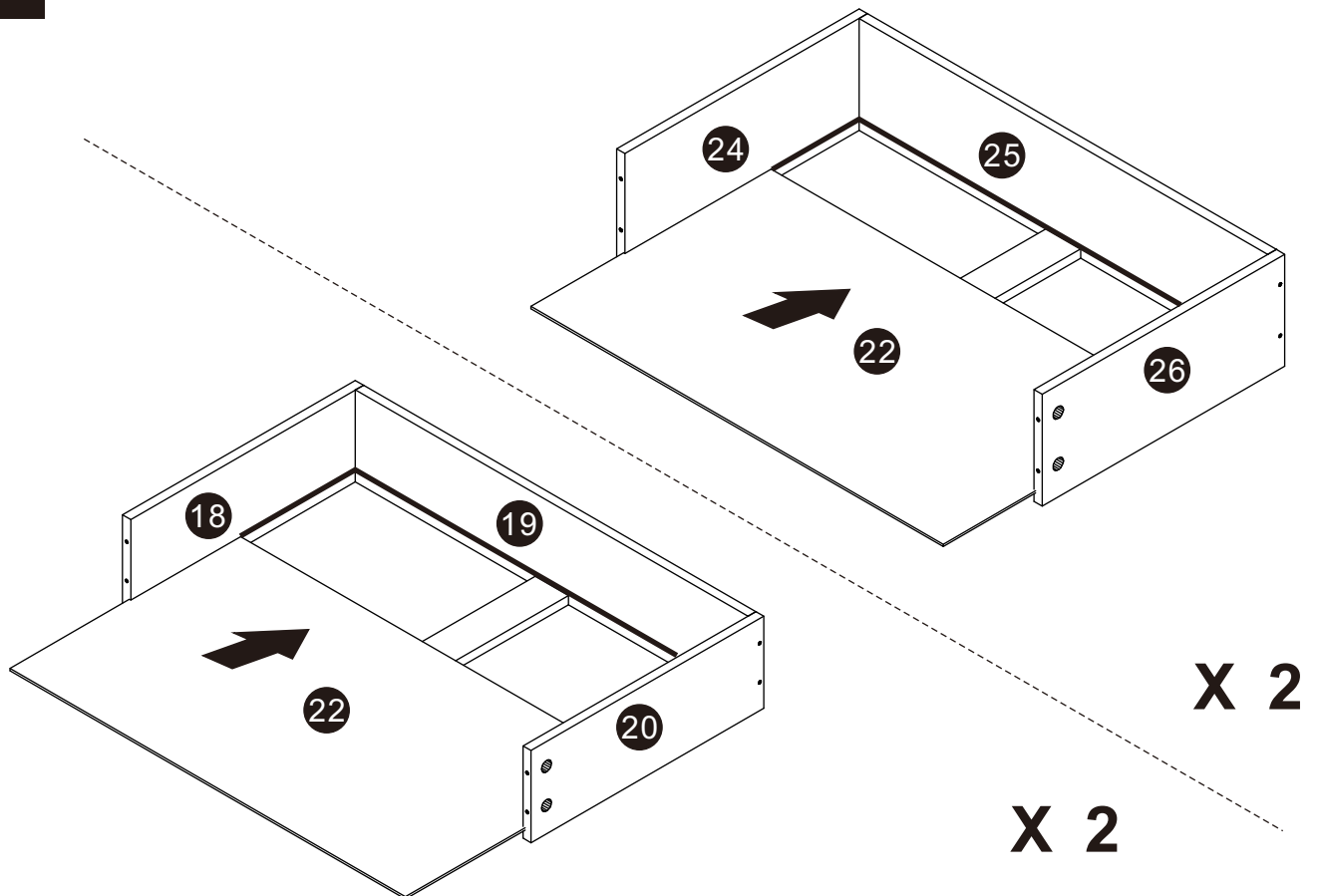


16

F x 24

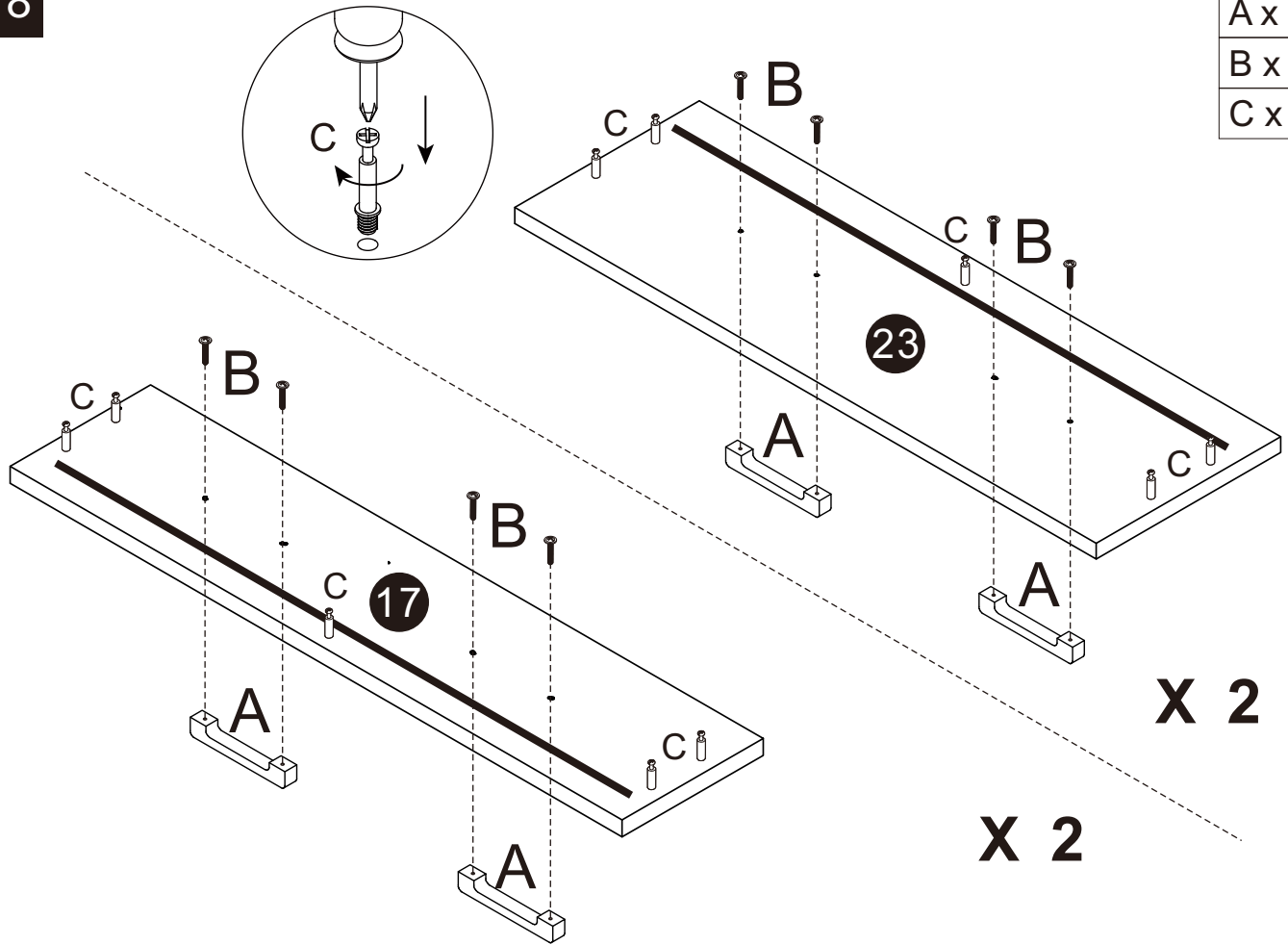


17



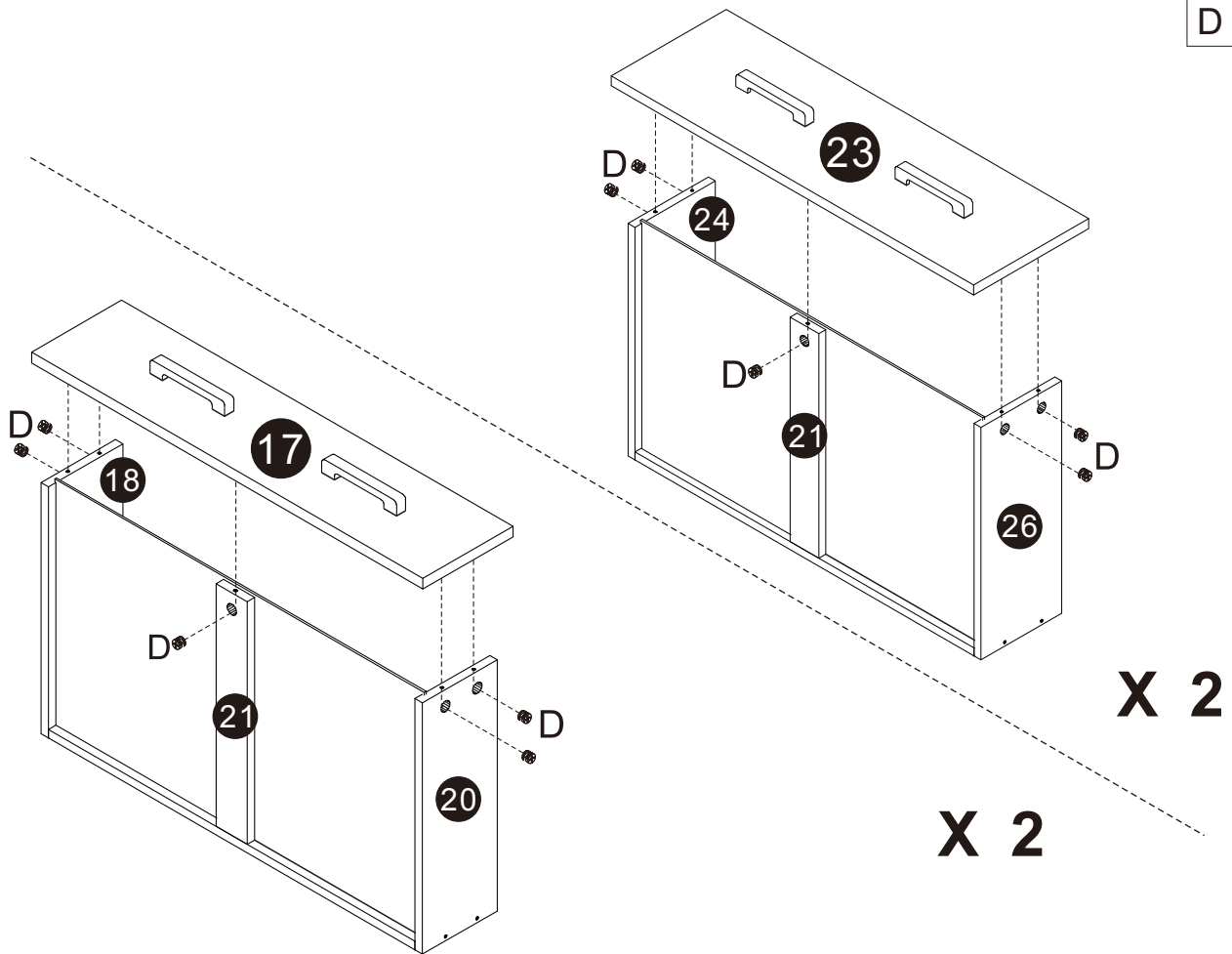
18

A x 8
B x 16
C x 20



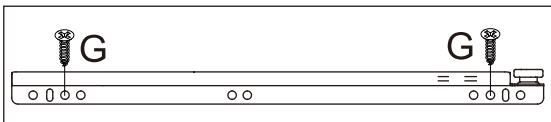
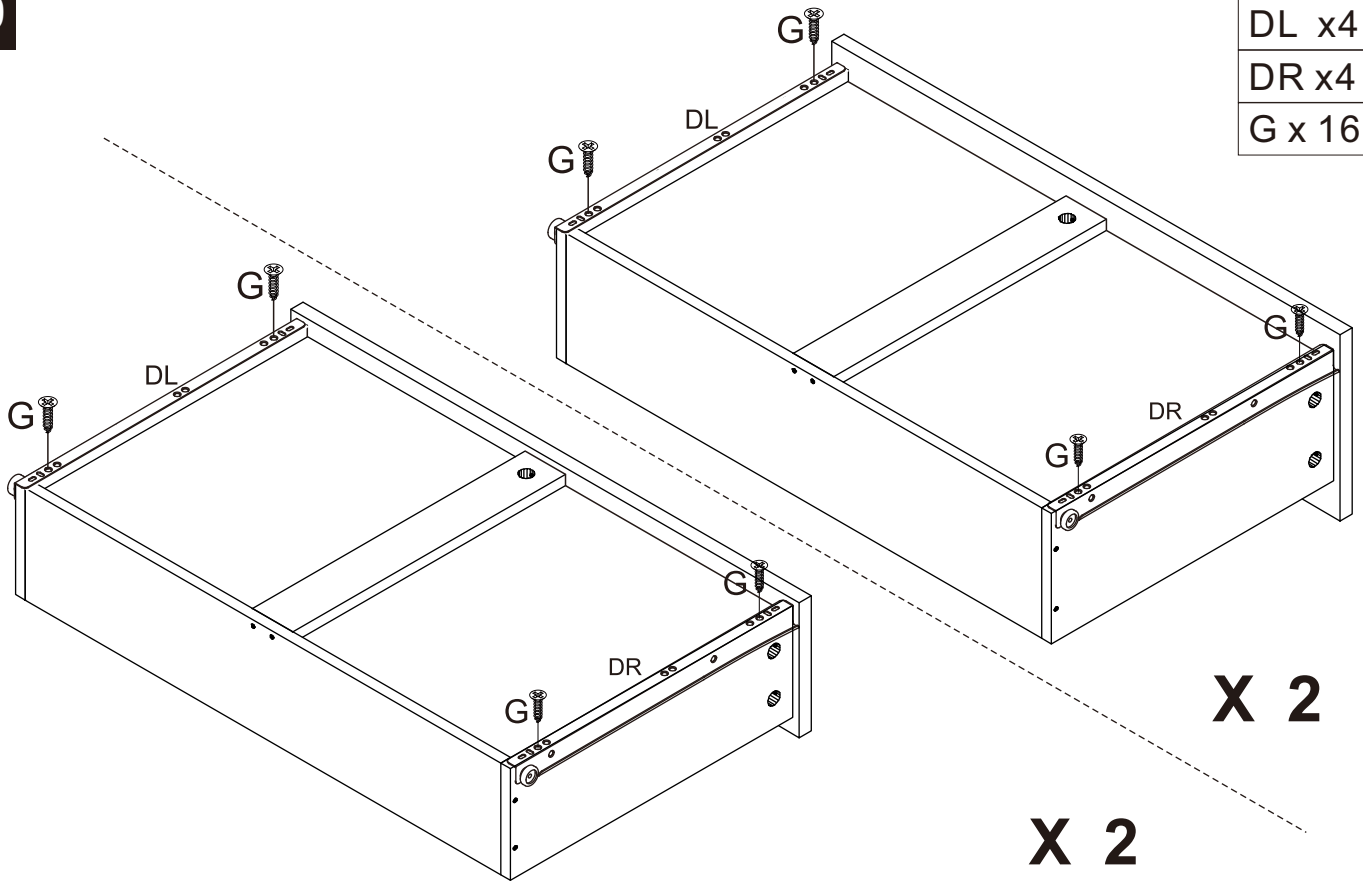
19

D x 20



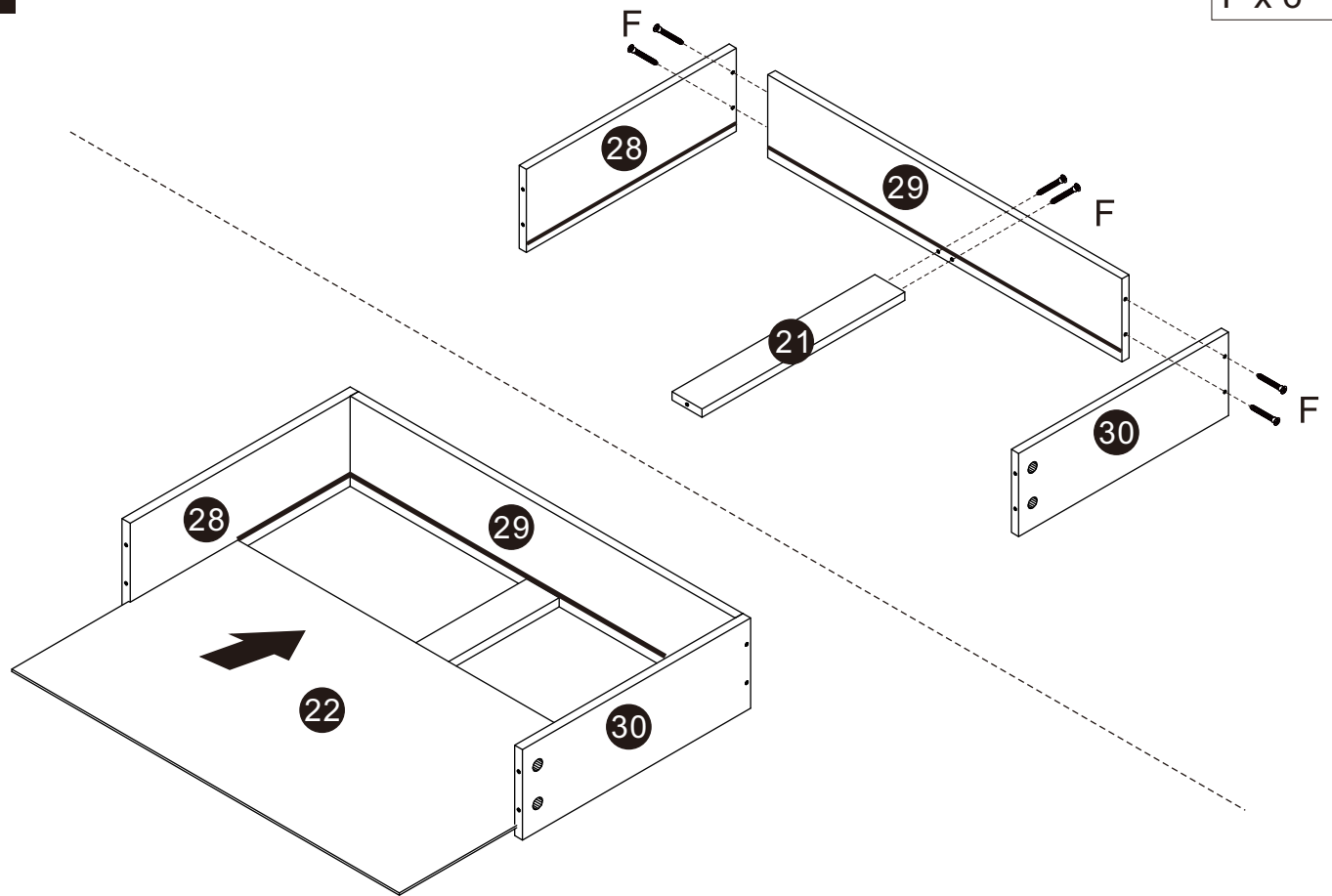
20

DL x4
DR x4
G x 16



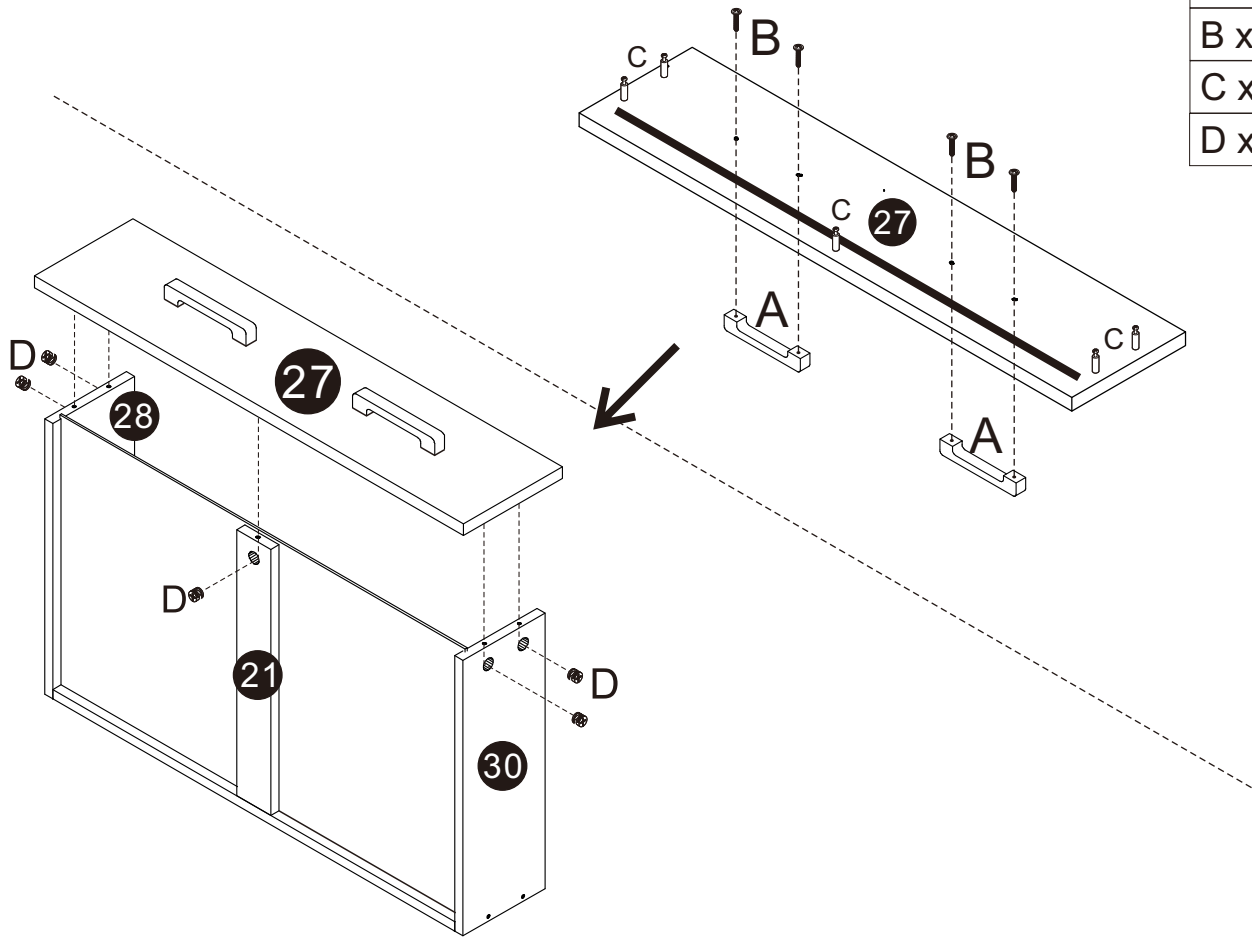
21

F x 6



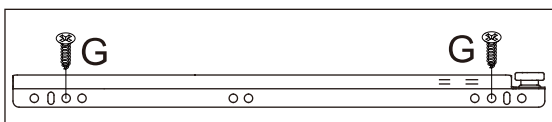
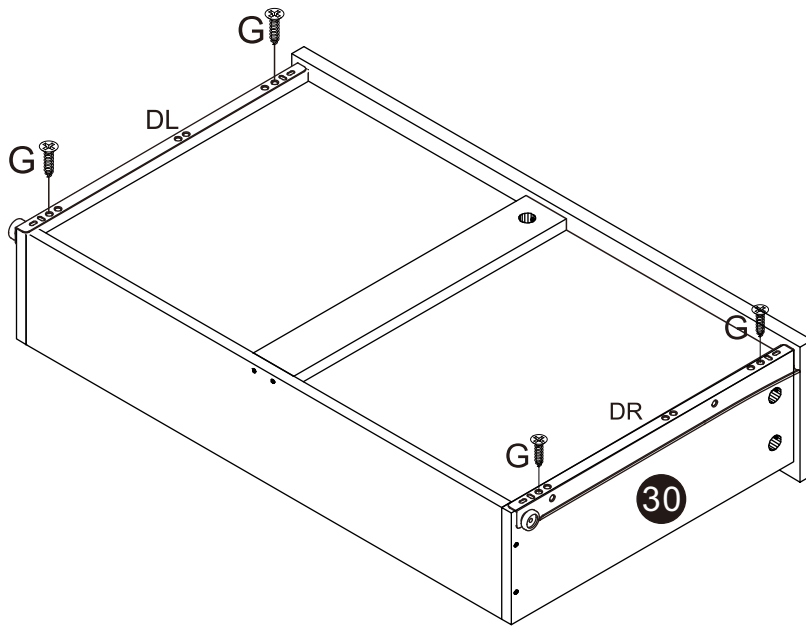
22

A x 2
B x 4
C x 5
D x 5

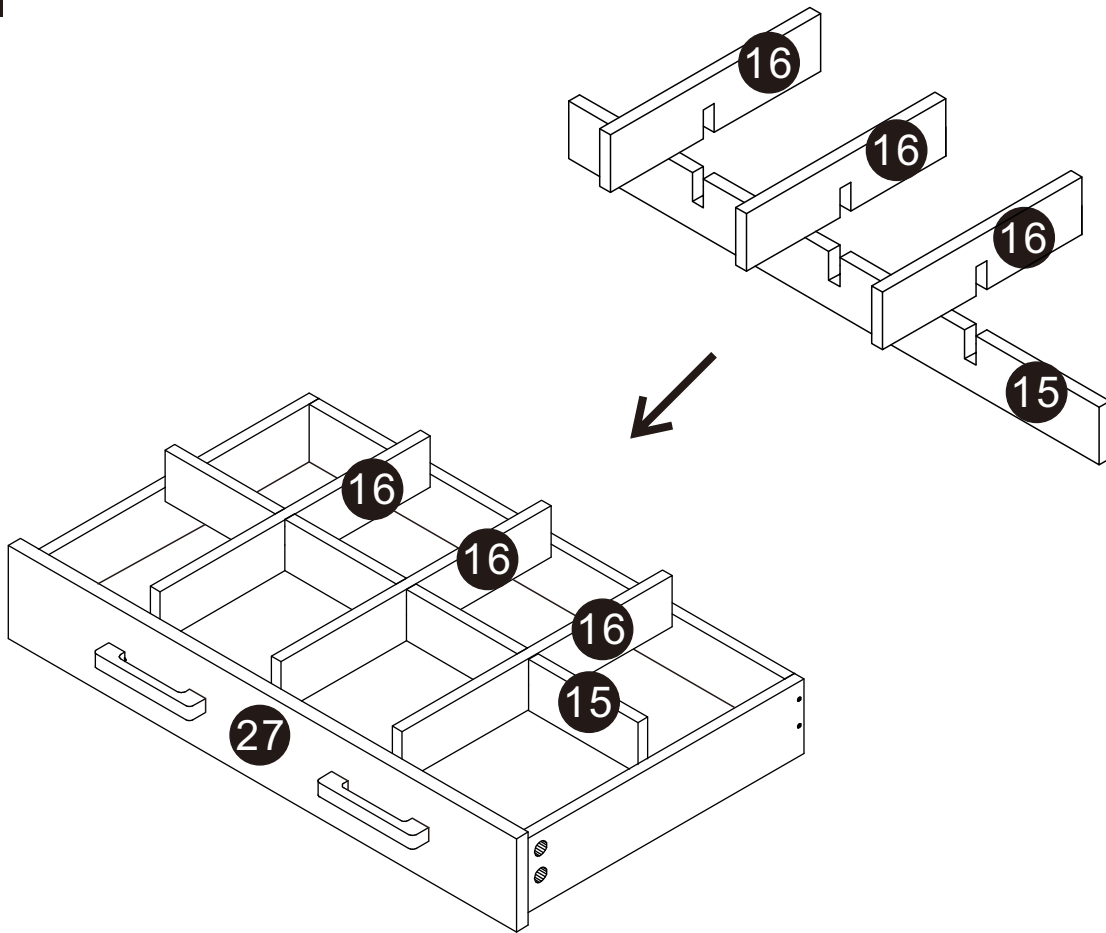


23

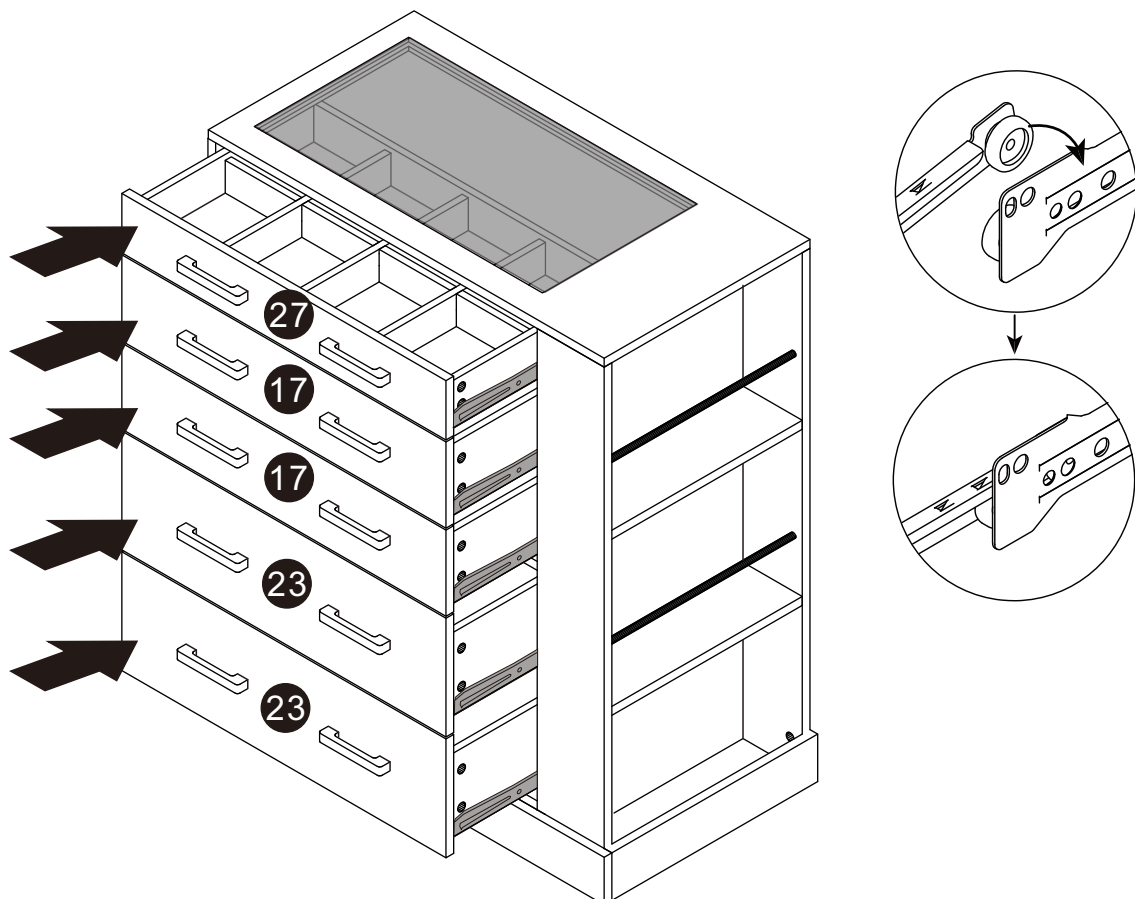
DL x 1
DR x 1
G x 4



24

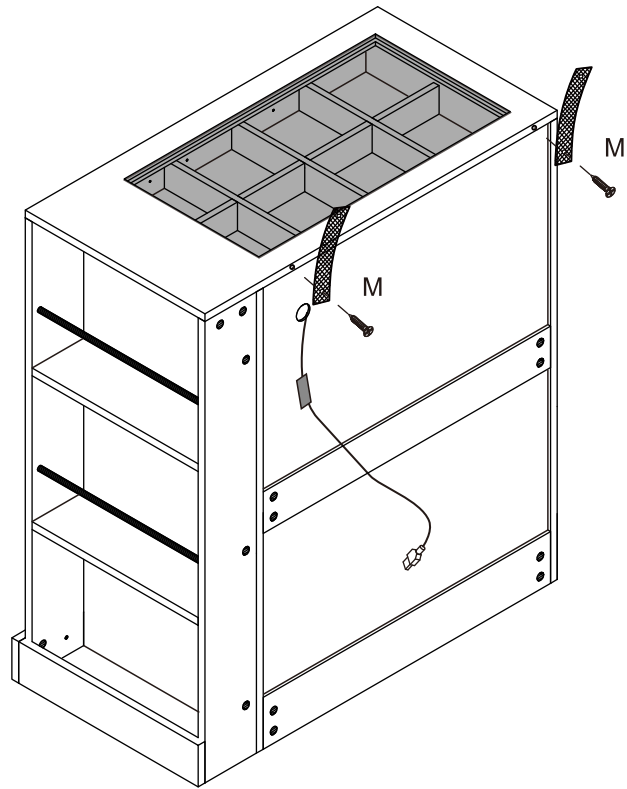


25



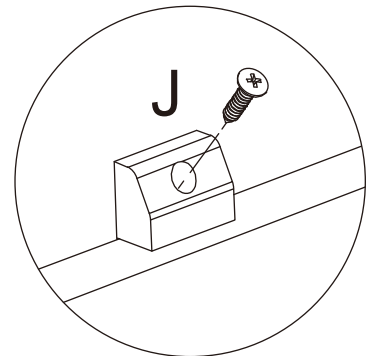
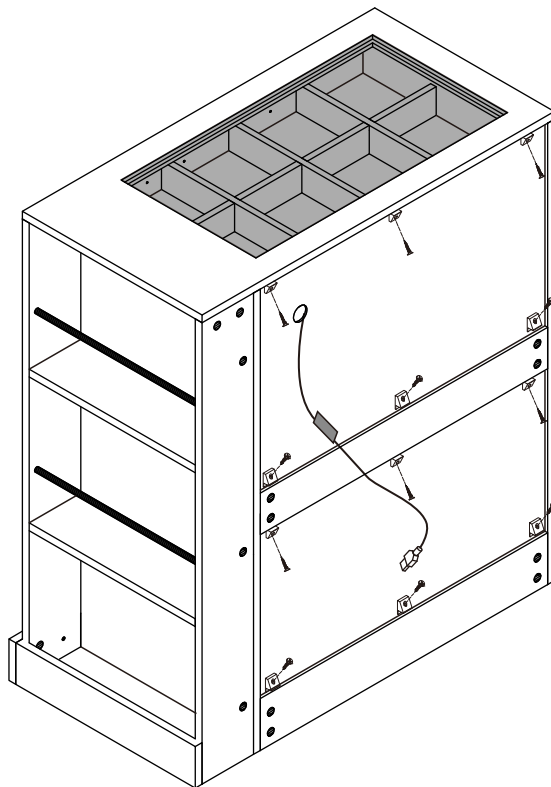
26

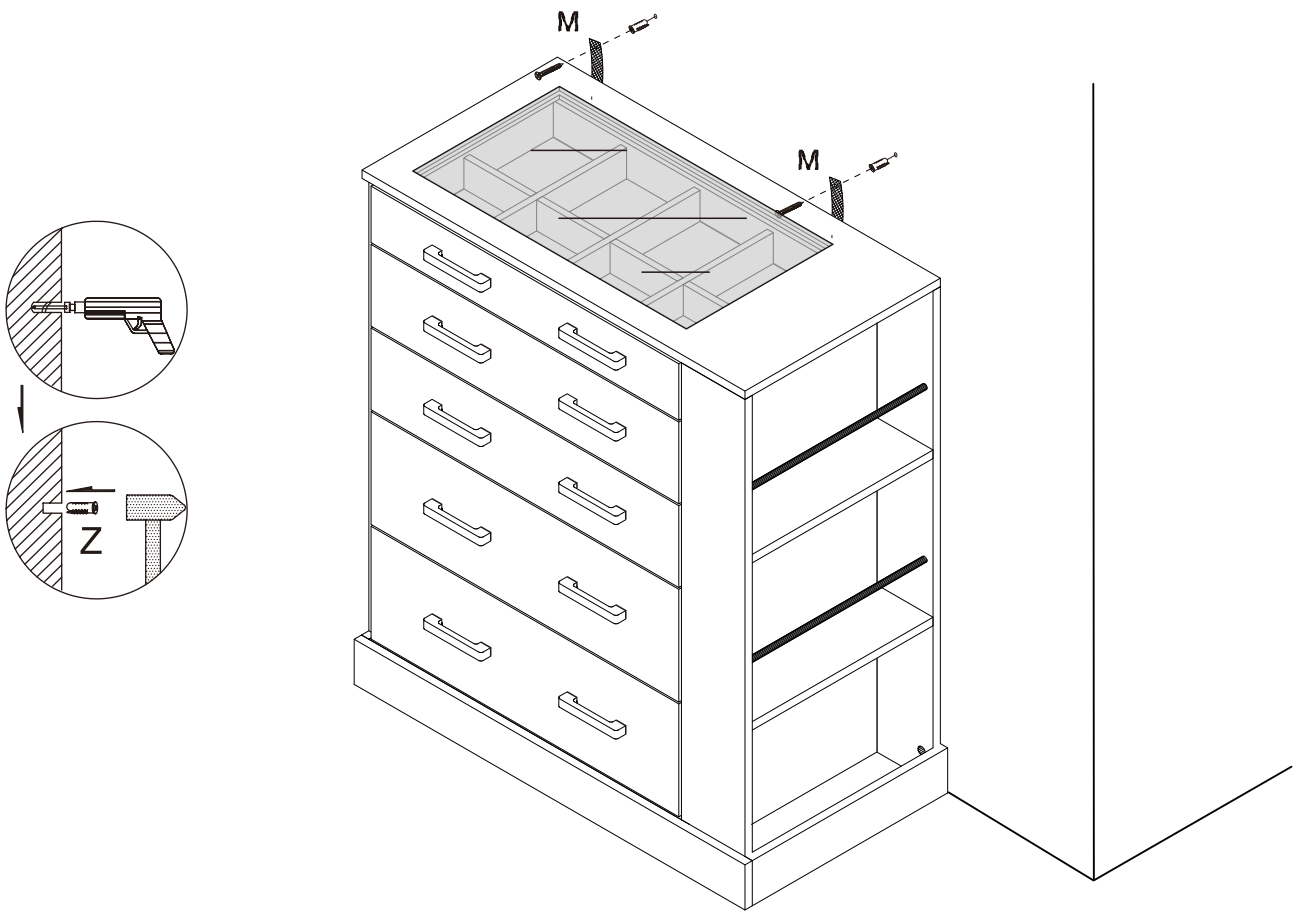
Mx2



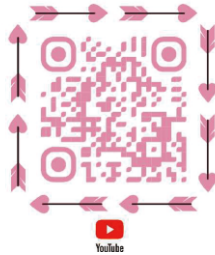
27

Jx12





Follow our media account to get Discounts and More New Arrivals!



Model : JFLDG2505/JFLDG2506/JFLDG2507
 Shandong Janfly Home Collection Co.,Ltd.
 ADD: No. 66, Laotawan Village, Louzhuang Town,
 Cao County, Heze City, Shandong Province, China

Customer Service Emails
 US@JANFLY.COM
 EU@JANFLY.COM

Made in China

Model : JFLDG2505/JFLDG2506/JFLDG2507
 Shandong Janfly Home Collection Co.,Ltd.
 ADD: No. 66, Laotawan Village, Louzhuang Town,
 Cao County, Heze City, Shandong Province, China

Customer Service Emails
 US@JANFLY.COM
 EU@JANFLY.COM

Made in China