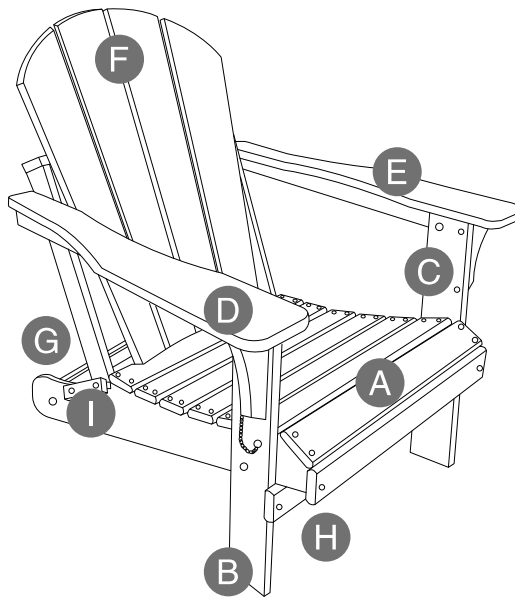


INSTRUCTION MANUAL

Look at following overall view of this chair and learn the exact position of each parts to be assembled.



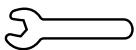
Outdoor Folding Poly Adirondack Chair

! NOTICE

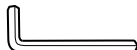
Do not overtighten screws. (Insert all screws before tighten screws.)

- Please do not exceed the weight limitations of this item.
- Do not stand on or use any part of this item as a step ladder.
- Firmly secure all bolts, screws and nuts before use.
- Reconfirm that all bolts, screws, and nuts are secure every 90 days.
- Do not use or store this item in the proximity of open flame or flammable/combustible chemicals.
- Be aware that some parts are heavy and have sharp edges.
- Be very careful when folding chair to avoid smashing your hands or fingers.

TOOLS REQUIRED



WRENCH
(PROVIDED)



ALLEN WRENCH
(PROVIDED)

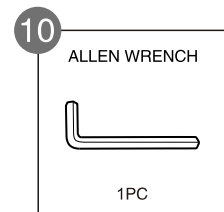
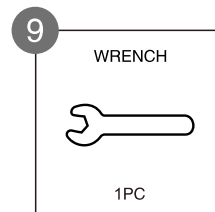
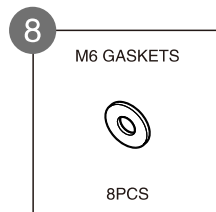
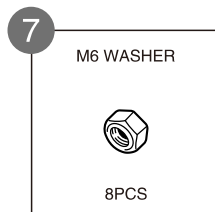
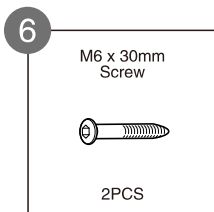
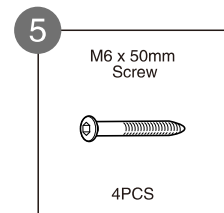
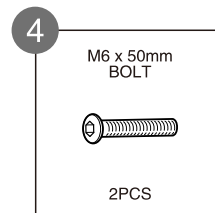
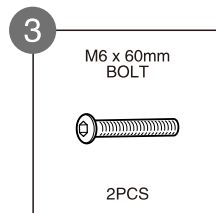
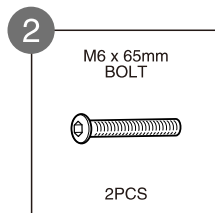
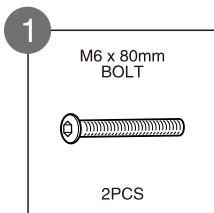


1 PERSON
ASSEMBLY

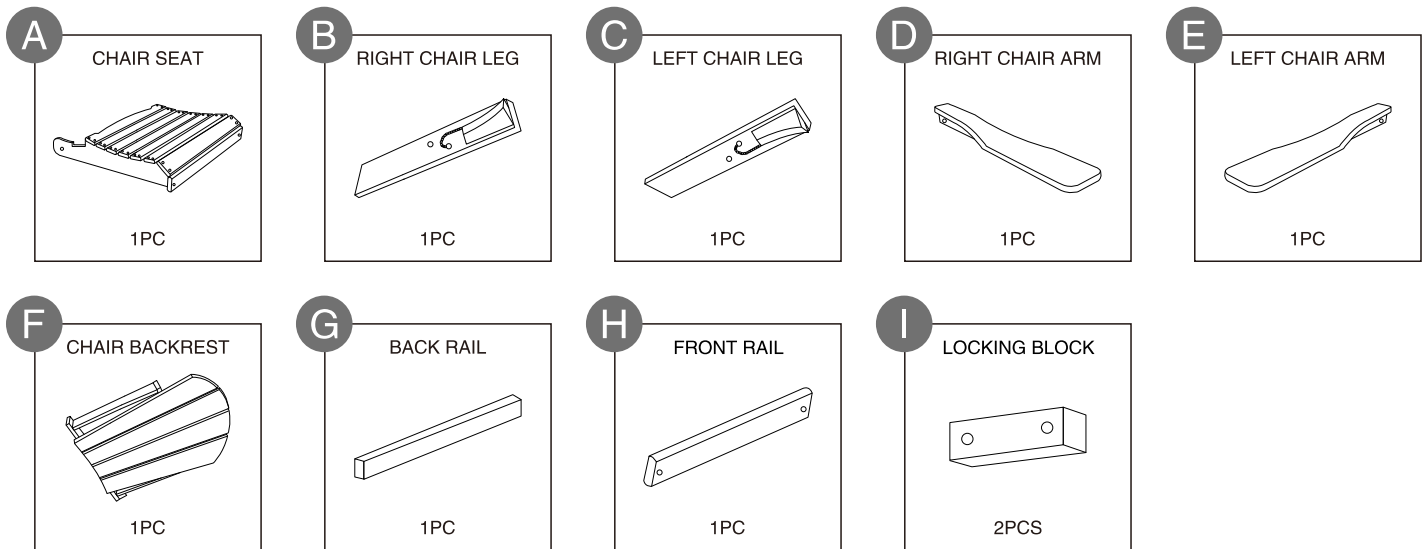


UP TO 30 MIN.
ASSEMBLY

HARDWARE



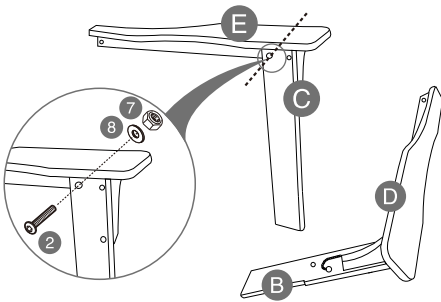
PARTS



PRODUCT ASSEMBLY

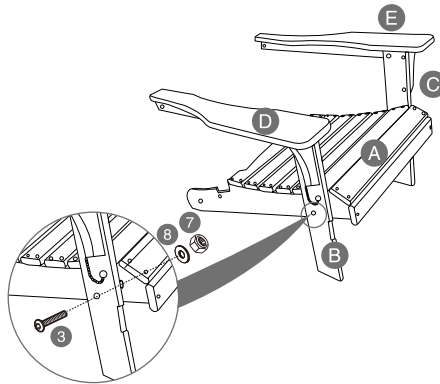
1

Connect part C left chair leg to Part E left chair armrest with part 2 bolt and part 8 washer and part 7 nut PC. Do the same for the right leg of the B chair and the right armrest of the D chair. Do not tighten the screws too tightly at this stage.



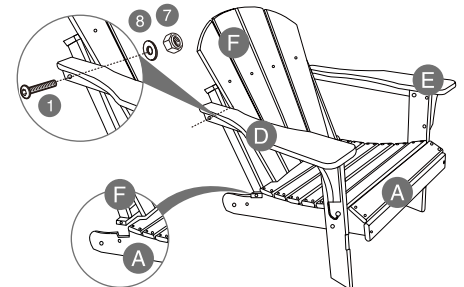
2

Connect the right leg of Part B and the left leg of Part C to a seat with two Part 3 bolts and a Part 8 washer and a part 7 nut.



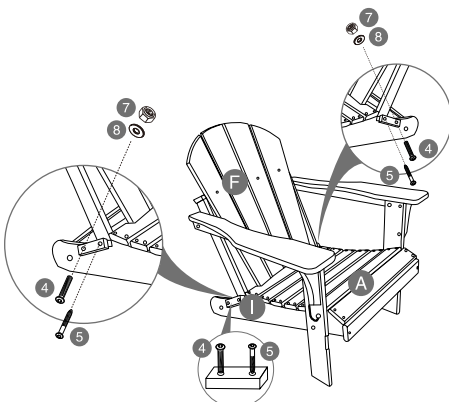
3

Connect the F backrest part to a part of the chair seat, then connect the F backrest part to the right armrest of the D seat with a Part 1 bolt and a Part 8 washer and a part 7 nut. Do the same for the f backrest and e left armrest.



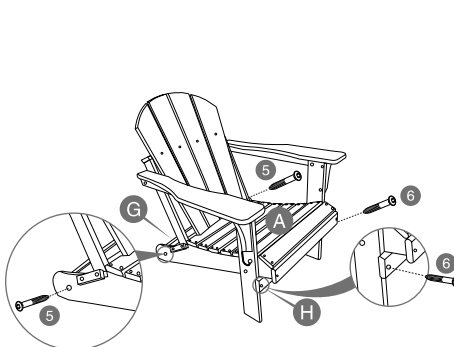
4

Connect the Part I locking block to the corresponding position on the chair back of part F with two Part 5 locking blocks, and connect the Part 4 bolts and part 8 washers and Part 7 nuts to the chair seat.



5

With 2 part 5 bolts to connect a seat G part of the rear bar. With a part 6 bolt connect part H front bar to part B left foot and with a part 6 bolt connect part C right foot.



Congratulations! You finished assembling this Adirondack chair.

Pull out the two legged sticks and fold the chair as shown below.

